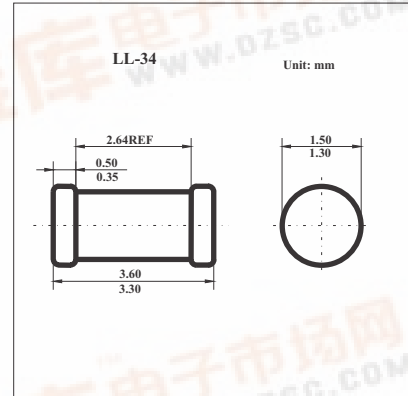


SMD Type Diodes

Fast Switching Surface Mount Diodes

KLL4148



Features

- Fast Switching Speed
- Surface Mount Package Ideally Suited for Automatic Insertion
- General Purpose Rectification
- Silicon Epitaxial Planar Construction

Absolute Maximum Ratings Ta = 25°C

Parameter	Symbol	Rating	Unit
Non-Repetitive Peak Reverse Voltage	V <sub>RM</sub>	100	V
Peak Repetitive Reverse Voltage	V <sub>R</sub> RM	75	V
Working Peak Reverse Voltage	V <sub>R</sub> WM		
DC Blocking Voltage	V <sub>R</sub>		
RMS Reverse Voltage	V <sub>R</sub> (RMS)	53	V
Forward Continuous Current (*)	I <sub>FM</sub>	300	mA
Average Rectified Output Current (*)	I <sub>o</sub>	150	mA
Non-Repetitive Peak Forward Surge Current @ t = 1.0 μs @ t = 1.0s	I <sub>FSM</sub>	2.0	A
		1.0	
Power Dissipation (*) Derate Above 25°C	P <sub>D</sub>	500	mW
		1.68	mW/°C
Thermal Resistance Junction to Ambient Air (*)	R <sub>θJA</sub>	300	K/W
Operating and Storage Temperature Range	T <sub>j</sub> , T <sub>STG</sub>	-65 to +175	°C

\* Valid provided that device terminals are kept at ambient temperature.

Electrical Characteristics Ta = 25°C

Parameter	Symbol	Testconditions	Min	Typ	Max	Unit
Maximum Forward Voltage	V <sub>FM</sub>	I <sub>F</sub> = 10mA			1.0	V
Maximum Peak Reverse Current	I <sub>RM</sub>	V <sub>R</sub> = 75V			5.0	μ A
		V <sub>R</sub> = 70V, T <sub>j</sub> = 150°C			50	
		V <sub>R</sub> = 20V, T <sub>j</sub> = 150°C			30	
		V <sub>R</sub> = 20V			25	nA
Capacitance	C <sub>j</sub>	V <sub>R</sub> = 0, f = 1.0MHz			4.0	pF
Reverse Recovery Time	t <sub>rr</sub>	I <sub>F</sub> = 10mA to I <sub>R</sub> = 1.0mA, V <sub>R</sub> = 6.0V, R <sub>L</sub> = 100 Ω			4.0	ns

