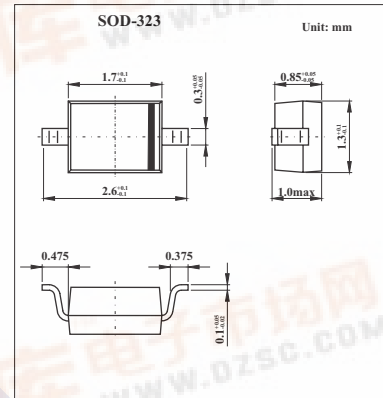


SMD Type Diodes

High-Speed Switching Diode
1SS354

Features

- Small surface mount type
- High switching speed. ($t_{rr}=2ns$ Typ.)
- Good mounterbility,high surge resistance and reliability.



Absolute Maximum Ratings $T_a = 25^\circ C$

Parameter	Symbol	Rating	Unit
Peak reverse voltage	V_{RM}	55	V
DC reverse voltage	V_R	50	V
Average forward current	I_o	100	mA
Peak forward current	I_{FM}	255	mA
Surge current (1s)	I_{surge}	400	mA
Junction temperature	T_j	125	$^\circ C$
Storage temperature	T_{stg}	-55 to 125	$^\circ C$

Electrical Characteristics $T_a = 25^\circ C$

Parameter	Symbol	Testconditons	Min	Typ.	Max	Unit
Forward voltage	V_F	$I_F=100mA$		0.94	1.2	V
Reverse current	I_R	$V_R=50V$		0.02	0.5	μA
Total Capacitance	C_T	$V_R=0.5V, f=1MHz$		0.72	3.0	pF
Reverse recovery time	t_{rr}	$V_R=6V, I_F=10mA, R_L=100 \Omega$		1.1	4	ns

Marking

Marking	B
---------	---