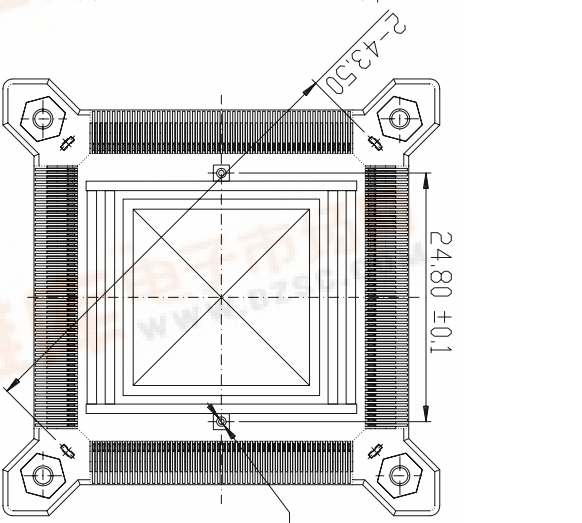
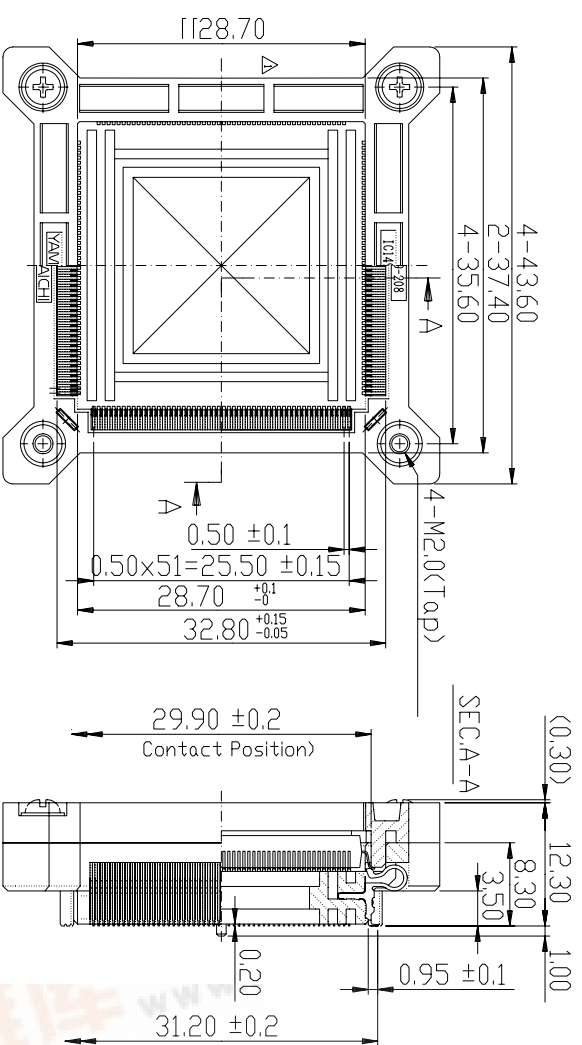
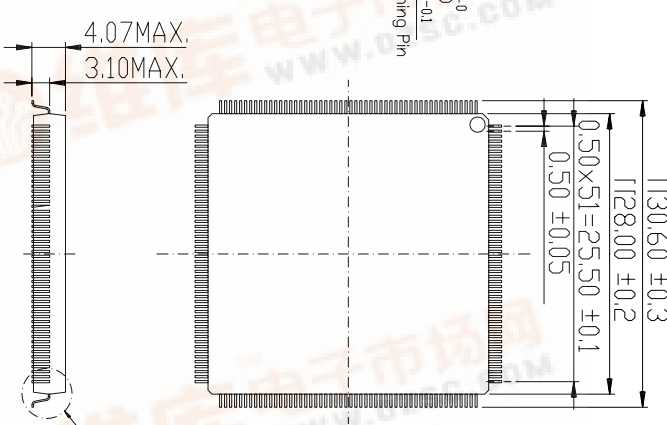


THE DRAWINGS AND INFORMATION CONTAINED HEREIN ARE THE EXCLUSIVE PROPERTY OF ACTEL. THE INFORMATION, DRAWINGS AND DESIGN CONCEPTS CONTAINED HEREIN ARE CONFIDENTIAL/PROPRIETARY SHALL BE MAINTAINED IN STRICT CONFIDENCE, AND SHALL NOT BE RELEASED TO ANY THIRD PARTY WITHOUT THE EXPRESS WRITTEN PERMISSION OF ACTEL.

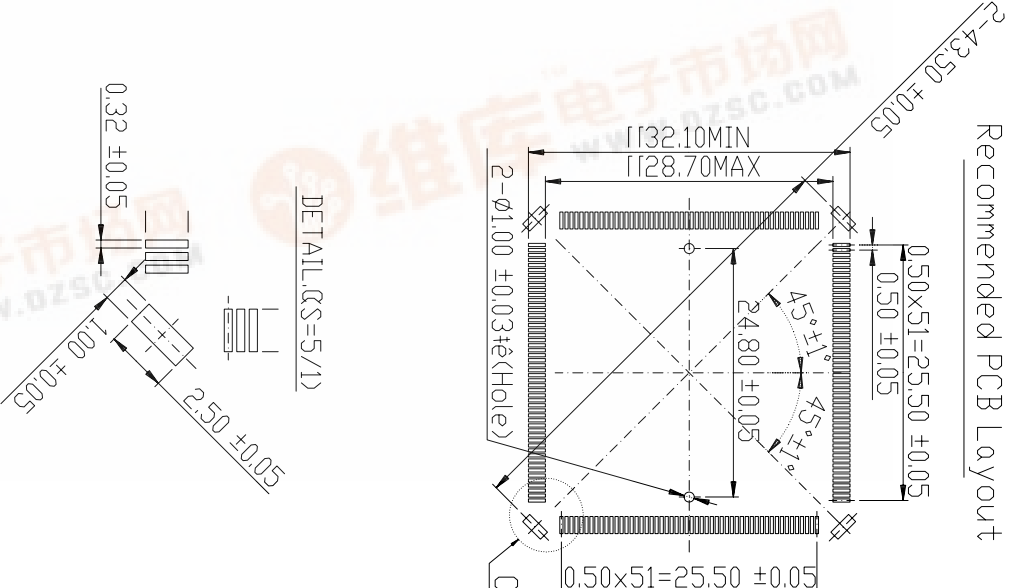
ECN NO.	REV.	DESCRIPTION OF CHANGE	EFFECTIVE DATE	ORIGINATOR
2007353	0	Initial	01/15/2005	Lijie Zhao



Applicable IC Dimension (important dimensions)



Recommended PCB Layout



- Controlling dimensions are in millimeters.
- Yamaichi Socket Part Number: IC149-208-161-B5

查询IC149-208-161-B5供应商

捷多邦, 专业PCB打样工厂, 24小时加急出货

UNLESS OTHERWISE SPECIFIED DIMENSIONS ARE IN MILLIMETERS
DECIMAL ANGULAR ±1°
X.X ±0.10
X.XX ±0.05
X.XXX ±0.03



APPROVALS DATE
Lijie Zhao 06/15/07



ACTEL CORPORATION
2061 Stearin Court
Mountain View, CA 94043-4655

TITLE SY-PQG208, Yamaichi: lead free prototype socket drawing
for PQ208 and PQG208 packages

MATERIAL	CHECKED	ENG'N	RELEASED	SCALE: NONE	SHEET 1
SEE NOTES	SEE NOTES	SEE NOTES	SEE NOTES	DO NOT SCALE DRAWING	