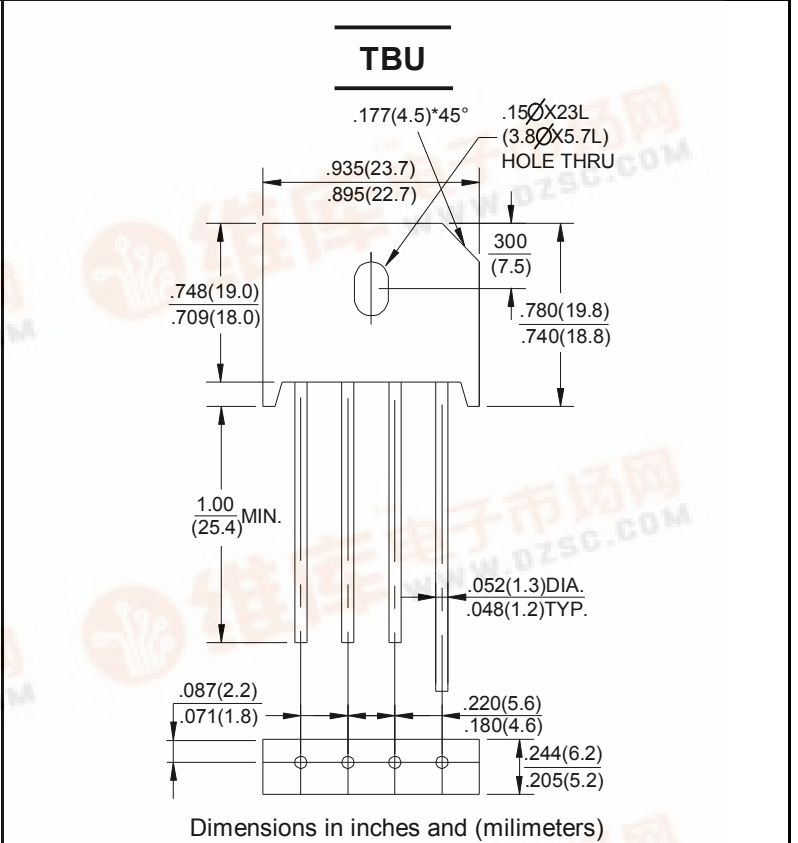




TBU15005G thru TBU1510G

GLASS PASSIVATED BRIDGE RECTIFIERS	REVERSE VOLTAGE - 50 to 1000Volts FORWARD CURRENT - 15.0 Amperes
---	---

- FEATURES**
- Surge overload rating -250 amperes peak
 - Ideal for printed circuit board
 - Reliable low cost construction utilizing molded plastic technique
 - Plastic material has U/L flammability classification 94V-0
 - Mounting position:Any



MAXIMUM RATINGS AND ELECTRICAL CHARACTERISTICS

Rating at 25°C ambient temperature unless otherwise specified.
 Single phase, half wave ,60Hz, resistive or inductive load.
 For capacitive load, derate current by 20%

CHARACTERISTICS	SYMBOL	TBU 15005G	TBU 1501G	TBU 1502G	TBU 1504G	TBU 1506G	TBU 1508G	TBU 1510G	UNIT	
Maximum Recurrent Peak Reverse Voltage	VRRM	50	100	200	400	600	800	1000	V	
Maximum RMS Voltage	VRMS	35	70	140	280	420	560	700	V	
Maximum DC Blocking Voltage	VDC	50	100	200	400	600	800	1000	V	
Maximum Average Forward Rectified Current (with heatsink Note 1) @ Tc=100°C (without heatsink)	I(AV)	15.0 3.2								A
Peak Forward Surge Current 8.3ms Single Half Sine-Wave Super Imposed on Rated Load (JEDEC Method)	IFSM	250								A
Maximum Forward Voltage at 7.5A DC	VF	1.1								V
Maximum DC Reverse Current at Rated DC Blocking Voltage @ Tj=25°C @ Tj=125°C	IR	10 500								µA
Operating Temperature Range	TJ	-55 to +150								°C
Storage Temperature Range	TSTG	-55 to +150								°C

NOTES: 1.Device mounted on 100mm*100mm*1.6mm Cu plate heatsink.



RATING AND CHARACTERISTIC CURVES
TBU15005G thru TBU1510G



FIG.1-MAXIMUM FORWARD SURGE CURRENT

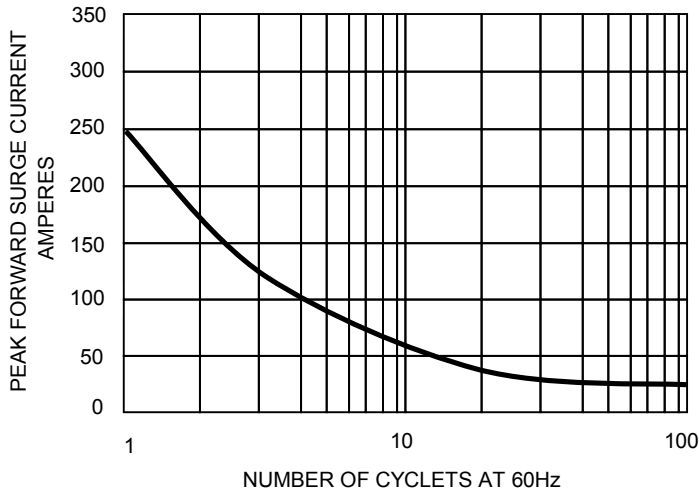


FIG. 2 – DERATING CURVE OUTPUT RECTIFIED CURRENT

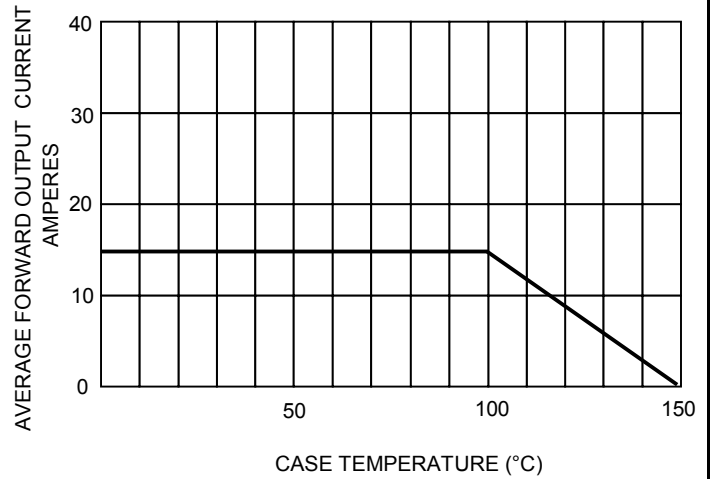


FIG.3- TYPICAL FORWARD CHARACTERISTICS

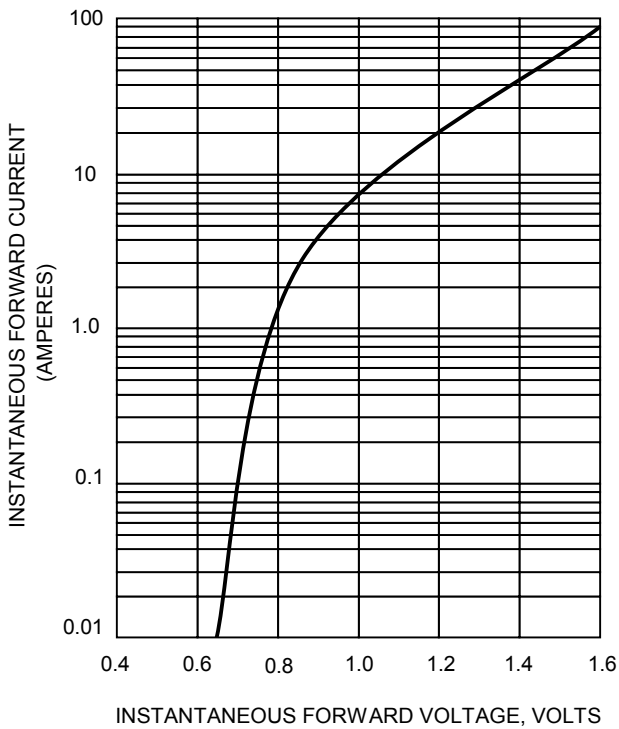


FIG.4- TYPICAL REVERSE CHARACTERISTICS

