

Silicon NPN Power Transistors

2N6257

DESCRIPTION

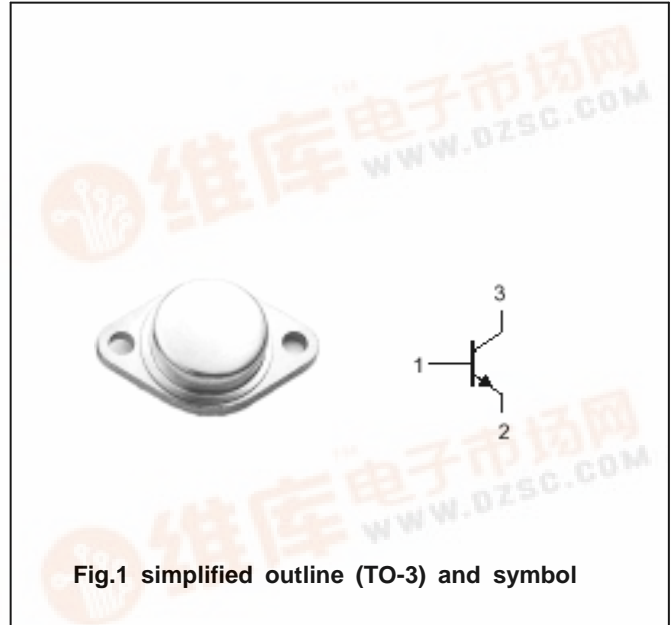
- With TO-3 package
- Low collector saturation voltage
- Excellent safe operating area

APPLICATIONS

- Designed for audio amplifier and switching circuits applications

PINNING

PIN	DESCRIPTION
1	Base
2	Emitter
3	Collector



Absolute maximum ratings(Ta=)

SYMBOL	PARAMETER	CONDITIONS	VALUE	UNIT
V _{CBO}	Collector-base voltage	Open emitter	50	V
V _{CEO}	Collector-emitter voltage	Open base	40	V
V _{EBO}	Emitter-base voltage	Open collector	5	V
I _C	Collector current		20	A
P _D	Total Power Dissipation	T _C =25	150	W
T _j	Junction temperature		150	
T _{stg}	Storage temperature		-65~200	

THERMAL CHARACTERISTICS

SYMBOL	PARAMETER	VALUE	UNIT
R _{th j-c}	Thermal resistance junction to case	0.875	/W

Silicon NPN Power Transistors

2N6257

CHARACTERISTICS

T_j=25 unless otherwise specified

SYMBOL	PARAMETER	CONDITIONS	MIN	TYP.	MAX	UNIT
V _{CEO(SUS)}	Collector-emitter sustaining voltage	I _C =0.2A ; I _B =0	40			V
V _{CEsat-1}	Collector-emitter saturation voltage	I _C =8A ; I _B =0.8A			1.5	V
V _{CEsat-2}	Collector-emitter saturation voltage	I _C =20A ; I _B =4A			4.0	V
I _{CEO}	Collector cut-off current	V _{CE} =40V; I _B =0			1.0	mA
I _{CEV}	Collector cut-off current	V _{CE} =50V; V _{BE(off)} =1.5V T _C =150			0.1 5.0	mA
I _{CBO}	Collector cut-off current	V _{CB} =50V; I _E =0			0.1	mA
I _{EBO}	Emitter cut-off current	V _{EB} =5V; I _C =0			0.1	mA
h _{FE-1}	DC current gain	I _C =8A ; V _{CE} =4V	15		75	
h _{FE-2}	DC current gain	I _C =20A ; V _{CE} =4V	5			
f _T	Transition frequency	I _C =1A; V _{CE} =10V	0.8			MHz

Silicon NPN Power Transistors

2N6257

PACKAGE OUTLINE

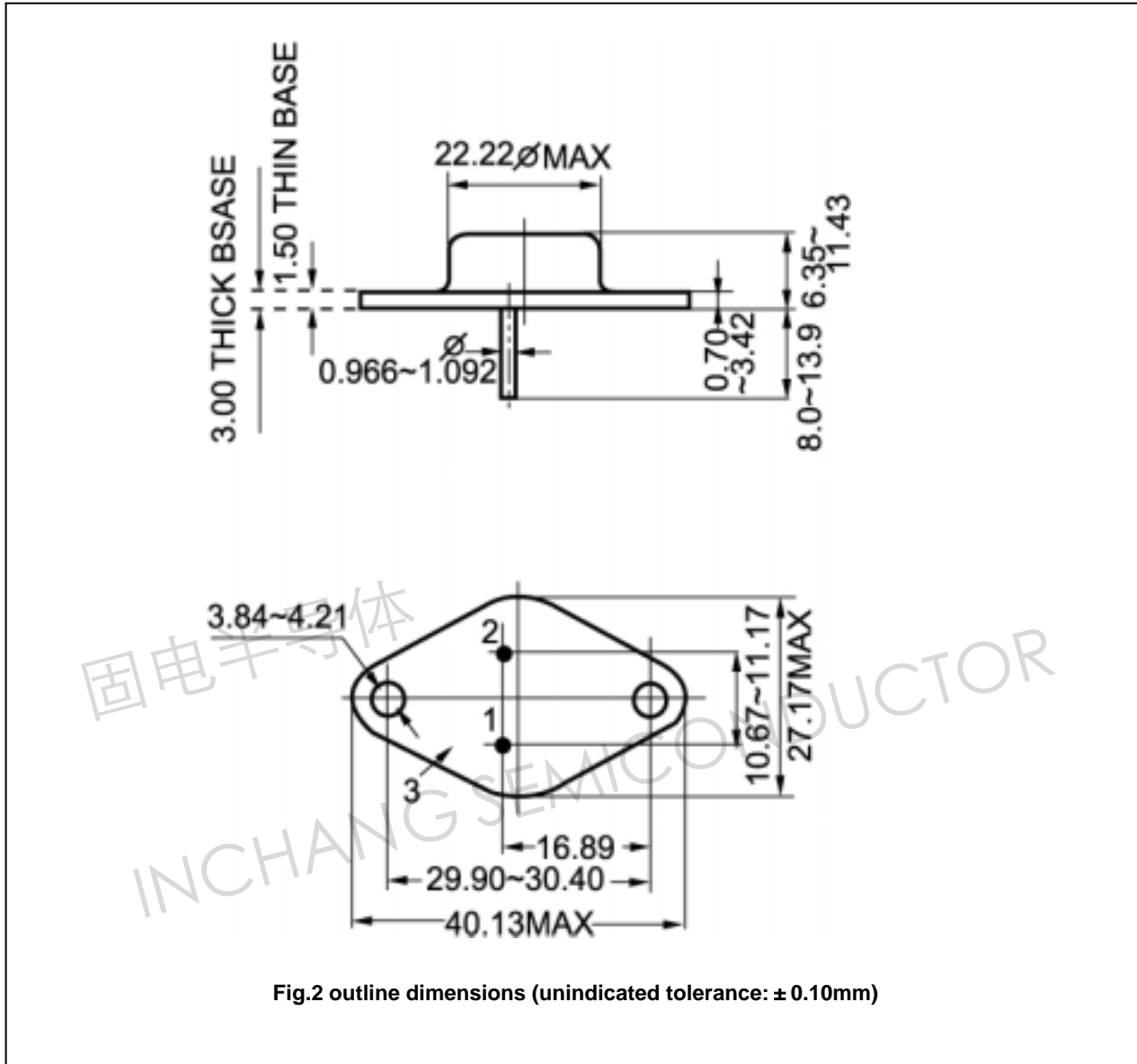


Fig.2 outline dimensions (unindicated tolerance: $\pm 0.10\text{mm}$)