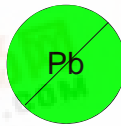


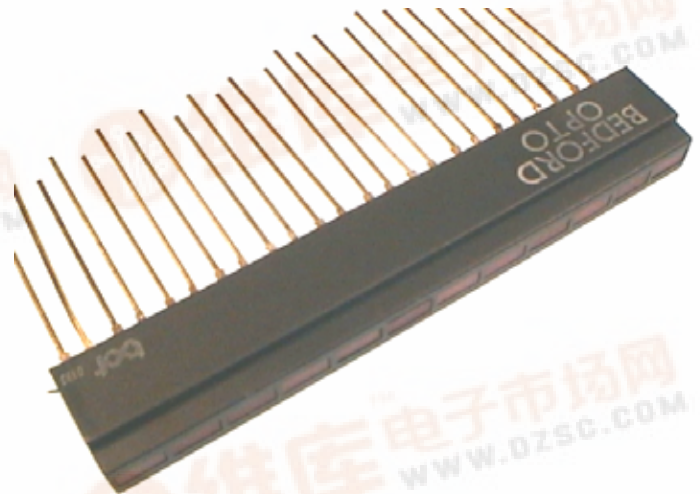
These components are RoHS compliant



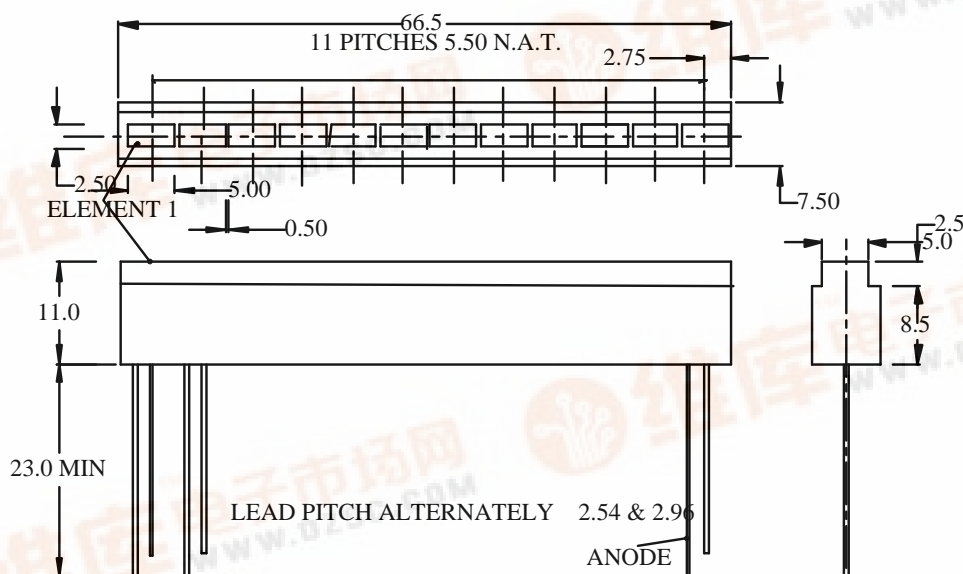
BG1200 12 Element Bargraph

SSA-008 is a family of Bar graphs of various colours up to 12 elements. Light Emitting Diodes 5x2.5mm are mounted in a black nylon 6 housing which conforms to flammability specification UL-94VO. LEDs are flush with the housing for direct presentation in front panel. Large area 5x2.5mm LEDs.

- Any colour combination of H E Red, Yellow or Green LEDs.
- Any number of elements up to 12.
- Matching LEDs.
- Bi-Colour LEDs are also available.
- Closely spaced LEDs.
- Recessed housing for front panel mounting.



MECHANICAL DATA



BEDFORD OPTO TECHNOLOGY LTD

1, BIGGAR BUSINESS PARK, BIGGAR, LANARKSHIRE, ML12 6FX

Tel: +44 (0) 1899 221221 Fax: +44 (0) 1899 221009

Website: bot.co.uk E-mail: bill@bot.co.uk



ABSOLUTE MAXIMUM RATINGS (at 25 °)

DC FORWARD CURRENT	30	mA
POWER DISSIPATION PER LED Tamb < 65 °C	100	mW
REVERSE VOLTAGE	6.0	Volts
STORAGE TEMP	-55 TO +100	°C
JUNCTION TEMP	100	°C
THERMAL RESISTANCE JUNCTION/AMBIENT	350	K/W
LEAD SOLDERING TEMP 2m from body t < 5 sec	260	°C

ELECTRO-OPTICAL DATA (25°C)

COLOUR	LED DESCRIPTION	PEAK WAVELENGTH nm	FORWARD VOLTAGE (If = 20mA) MAX V	LUMINOUS INTENSITY mcd If = 10mA	
				MIN	TYP
YELLOW	2.5x5mm Col-	585	3	1	3
GREEN	2.5x5mm Col-	565	3	1	2
HERED	2.5x5mm Col-	650	3	1	2

ORDERING INFORMATION

For mixed colours, blanks & less than 12 elements please describe as:-

BG120X Y ——— Y

(Pos1) (Pos12)

X = Number of elements

Y= H = HERed Y = Yellow G = Green B = Blank