

This component is RoHS compliant

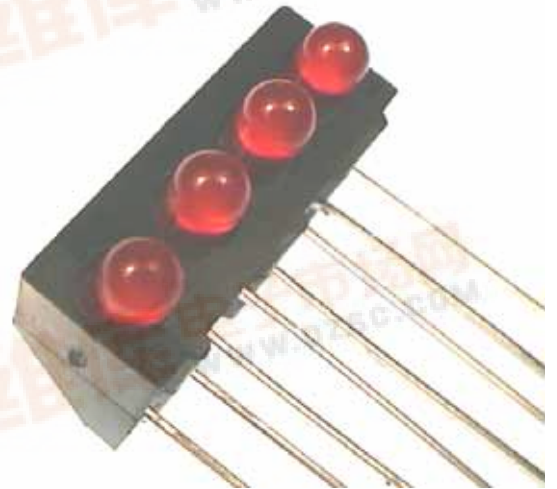


BOT107Series

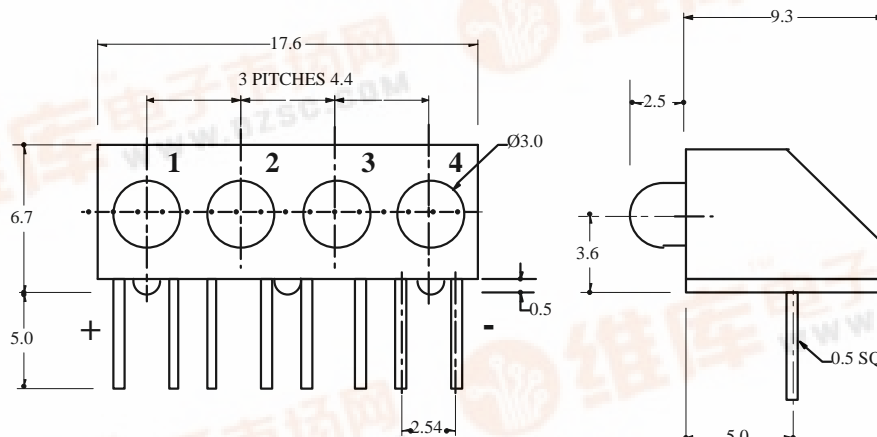
4 Way 3mm LED Array 90 deg Mount

The BOT107 series is a family of devices using Black NYLON 6 VO rated housing to mount four 3mm LEDs at right angles to the PCB forming an 4 Way LED Array. LEDs are on a 4.4mm pitch.

- +/- 25 Deg Viewing Angle
- Good matching
- Direct equivalent to Marl 107 series.
- End stackable.



MECHANICAL DATA



BEDFORD OPTO TECHNOLOGY LTD
1 BIGGAR BUSINESS PARK, BIGGAR, LANARKSHIRE ML12 6FX

Tel: +44 (0) 1899 221221 Fax: +44 (0) 1899 221009

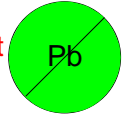
Website: bot.co.uk E-mail: bill@bot.co.uk

BOT107 Series

ABSOLUTE MAXIMUM RATINGS (T_A = 25°C)

REVERSE VOLTAGE	5 Volts
CONTINUOUS FORWARD CURRENT	30 mA
POWER DISSIPATION	80 mW
OPERATING TEMP	-40 TO+80°C
STORAGE TEMP	-40to +100°C
LEAD SOLDERING TEMP(1.55mm FROM BODY 5secs)	260°C

This component is RoHS compliant



OPTO ELECTRONIC DATA (T_a = 25°C)

COLOUR		Luminous Intensity If = 20mA mcd	Peak Wavelength nm	Forward Voltage If = 20mA volts	VIEWING ANGLE deg
RED	min	50.0	635	2.0	50
	typ				
	max				
YELLOW	min	20.0	585	2.1	50
	typ				
GREEN	min	70.0	568	2.2	50
	typ				
	max				

ORDERING INFORMATION

POSITION	1	2	3	4
BOT107	X	X	X	X

X=R=RED,G=GREEN,Y=YELLOW

OPTO ELECTRONIC SOLUTIONS

BOT specialise only in the design, development and manufacture in the visible and infra-red Opto Electronic products. Standard visible products include, LED Bargraph, Arrays, Stand-off, Circuit Board Indicators and Panel Mount Assemblies. Standard I.R. products include 10KV BASEEFA certified Opto Couplers, Transmissive & Reflective Switches. Custom designs of Visible and I.R. products on request.

BEDFORD OPTO TECHNOLOGY LTD
1,BIGGAR BUSINESS PARK, BIGGAR,LANARKSHIRE ML12 6FX
Tel: +44 (0) 1899 221221 Fax: +44 (0) 1899 221009
Website: bot.co.uk E-mail: bill@bot.co.uk