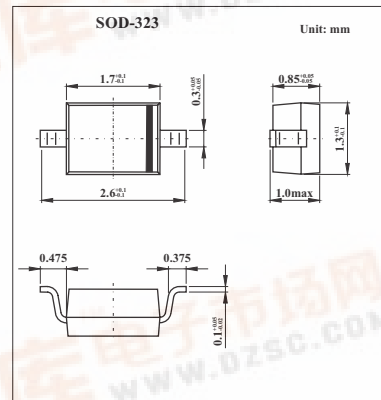


SMD Type Diodes

Schottky barrier diode  
RB751V-40

■ Features

- Small surface mounting type.(EMD2,UMD2)
- Low reverse current and low forward voltage.
- High reliability.



■ Absolute Maximum Ratings Ta = 25°C

Characteristic	Symbol	Limits	Unit
Peak reverse voltage	V <sub>RM</sub>	40	V
DC reverse voltage	V <sub>R</sub>	30	V
Mean rectifying current	I <sub>o</sub>	30	mA
Peak forward surge current*	I <sub>FSM</sub>	200	mA
Junction temperature	T <sub>j</sub>	125	°C
Storage temperature	T <sub>stg</sub>	-40 to +125	°C

\*60 Hz for 1

■ Electrical Characteristics Ta = 25°C

Characteristic	Symbol	Condition	Min	Typ	Max	Unit
Forward voltage	V <sub>F</sub>	I <sub>F</sub> = 1 mA			0.37	V
Reverse current	I <sub>R</sub>	I <sub>F</sub> = 30 V			0.5	μA
capacitance between terminal	C <sub>T</sub>	V <sub>R</sub> = 1 V, f = 1MHz		2		pF

■ Marking

Marking	5
---------	---