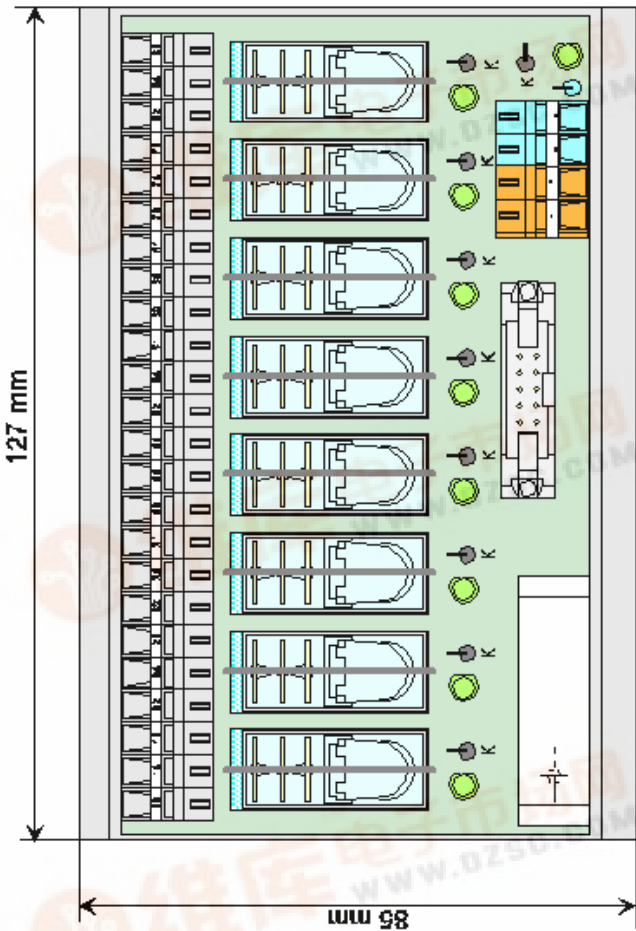
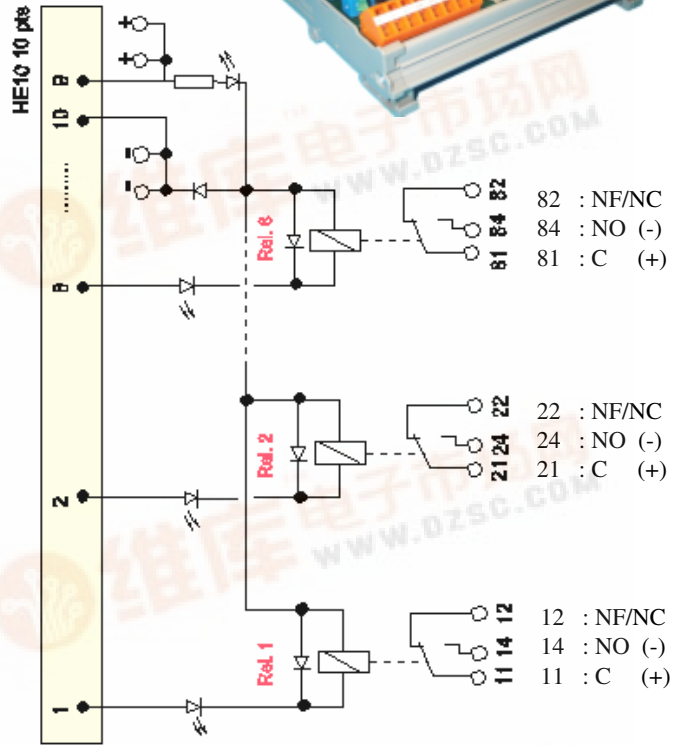
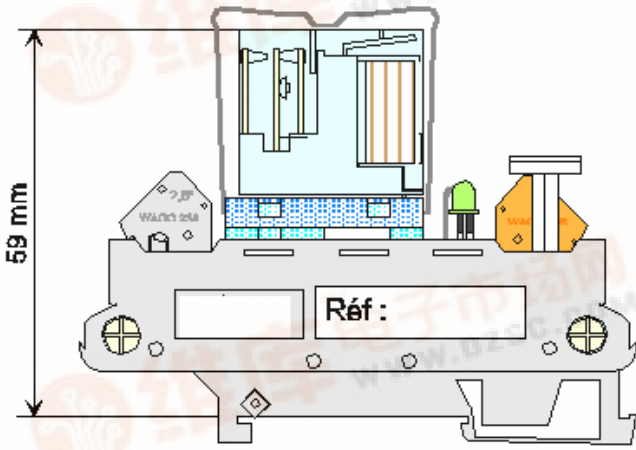
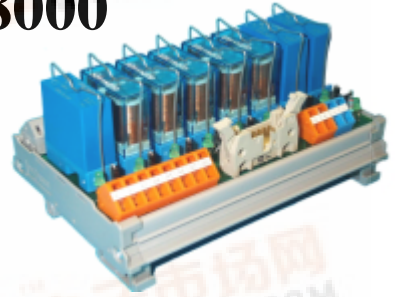


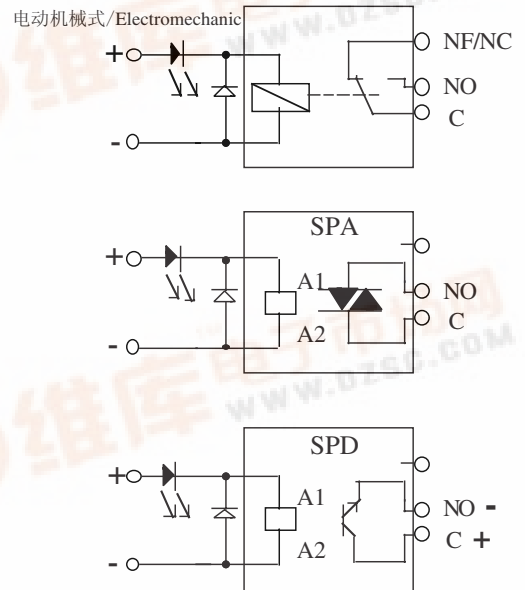
适合8个SP/ST系列固态继电器的插座/

Socket for 8 SP/ST relay

ESD08000



继电器/ Relays



Proud to serve you

All technical characteristics are subject to change without previous notice. Caractéristiques sujettes à modifications sans préavis.

celduc®

r e l a i s