



查询MX25L4005A供应商

捷多邦, 专业PCB打样工厂, 24小时加急出货

MACRONIX  
INTERNATIONAL Co., LTD.

# MX25L4005A

## 4M-BIT [x 1] CMOS SERIAL FLASH

### FEATURES

#### GENERAL

- Serial Peripheral Interface (SPI) compatible -- Mode 0 and Mode 3
- 4,194,304 x 1 bit structure
- 128 Equal Sectors with 4K byte each
  - Any Sector can be erased individually
- 8 Equal Blocks with 64K byte each
  - Any Block can be erased individually
- Single Power Supply Operation
  - 2.7 to 3.6 volt for read, erase, and program operations
- Latch-up protected to 100mA from -1V to Vcc +1V
- Low Vcc write inhibit is from 1.5V to 2.5V

#### PERFORMANCE

- High Performance
  - Fast access time: 85MHz serial clock (15pF + 1TTL Load) and 66MHz serial clock (30pF + 1TTL Load)
  - Fast program time: 1.4ms(typ.) and 5ms(max.)/page (256-byte per page)
  - Fast erase time: 60ms(typ.) and 120ms(max.)/sector (4K-byte per sector) ; 1s(typ.) and 2s(max.)/block (64K-byte per block)
- Low Power Consumption
  - Low active read current: 12mA(max.) at 85MHz, 8mA(max.) at 66MHz and 4mA(max.) at 33MHz
  - Low active programming current: 15mA (max.)
  - Low active erase current: 15mA (max.)
  - Low standby current: 10uA (max.)
  - Deep power-down mode 1uA (typical)
- Minimum 100,000 erase/program cycles
- 10 years data retention

#### SOFTWARE FEATURES

- Input Data Format
  - 1-byte Command code
- Block Lock protection
  - The BP0~BP2 status bit defines the size of the area to be software protected against Program and Erase instructions
- Auto Erase and Auto Program Algorithm
  - Automatically erases and verifies data at selected sector
  - Automatically programs and verifies data at selected page by an internal algorithm that automatically times the program pulse widths (Any page to be programmed should have page in the erased state first)
- Status Register Feature
- Electronic Identification
  - JEDEC 2-byte Device ID
  - RES command, 1-byte Device ID

#### HARDWARE FEATURES

- SCLK Input
  - Serial clock input
- SI Input
  - Serial Data Input
- SO Output
  - Serial Data Output
- WP# pin
  - Hardware write protection





- HOLD# pin
  - pause the chip without deselecting the chip
- PACKAGE
  - 8-pin SOP (150mil)
  - 8-pin SOP (200mil)
  - 8-pin PDIP (300mil)
  - 8-land SON (6x5mm, 1.0mm package height), which is not recommended for new design
  - 8-land WSON (6x5mm, 0.8mm package height)
  - 8-land USON (4x4mm) in development
  - **All Pb-free devices are RoHS Compliant**

## GENERAL DESCRIPTION

The MX25L4005A is a CMOS 4,194,304 bit serial Flash memory, which is configured as 524,288 x 8 internally. The MX25L4005A feature a serial peripheral interface and software protocol allowing operation on a simple 3-wire bus. The three bus signals are a clock input (SCLK), a serial data input (SI), and a serial data output (SO). SPI access to the device is enabled by CS# input.

The MX25L4005A provide sequential read operation on whole chip.

After program/erase command is issued, auto program/ erase algorithms which program/ erase and verify the specified page or byte /sector/block locations will be executed. Program command is executed on page (256 bytes) basis, and erase command is executes on chip or sector(4K-bytes) or block(64K-bytes).

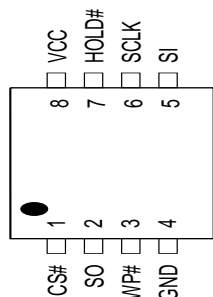
To provide user with ease of interface, a status register is included to indicate the status of the chip. The status read command can be issued to detect completion status of a program or erase operation via WIP bit.

When the device is not in operation and CS# is high, it is put in standby mode and draws less than 10uA DC current.

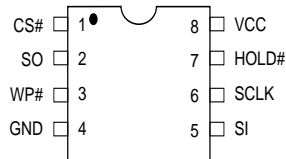
The MX25L4005A utilize MXIC's proprietary memory cell, which reliably stores memory contents even after 100,000 program and erase cycles.

## PIN CONFIGURATIONS

### 8-PIN SOP (150/200mil)



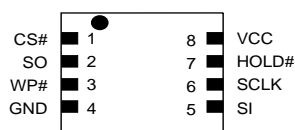
### 8-PIN PDIP (300mil)



## PIN DESCRIPTION

| SYMBOL | DESCRIPTION  |
|--------|--|
| CS#    | Chip Select  |
| SI     | Serial Data Input  |
| SO     | Serial Data Output                                       |
| SCLK   | Clock Input  |
| HOLD#  | Hold, to pause the device without deselecting the device |
| WP#    | Write Protection   |
| VCC    | + 3.3V Power Supply                                      |
| GND    | Ground   |

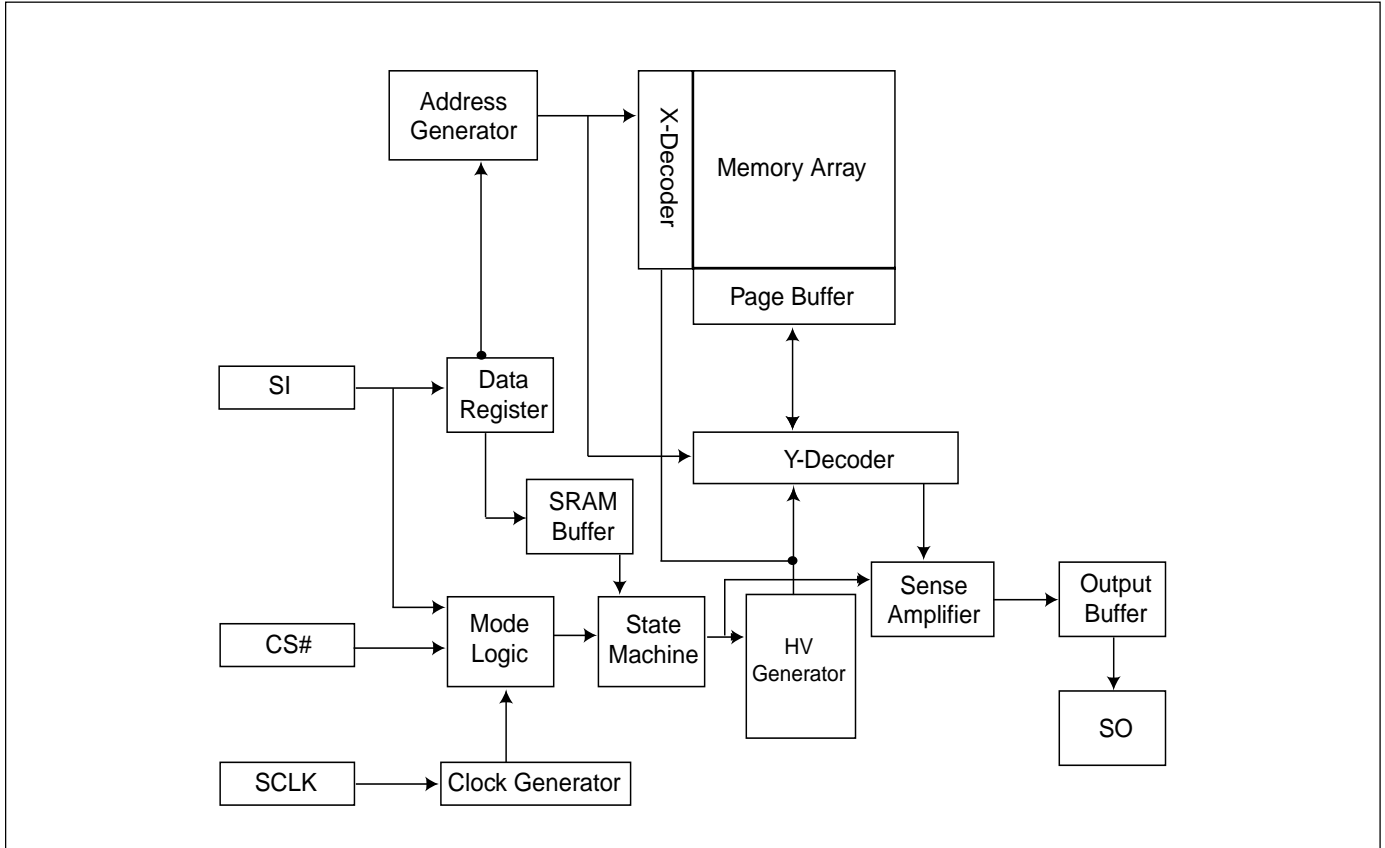
### \*8-LAND SON(6x5mm), WSON(6x5mm), USON(4x4mm)



Note: 8-land SON is not recommended for new design



**BLOCK DIAGRAM**





## DATA PROTECTION

The MX25L4005A are designed to offer protection against accidental erasure or programming caused by spurious system level signals that may exist during power transition. During power up the device automatically resets the state machine in the Read mode. In addition, with its control register architecture, alteration of the memory contents only occurs after successful completion of specific command sequences. The device also incorporates several features to prevent inadvertent write cycles resulting from VCC power-up and power-down transition or system noise.

- Power-on reset and tPUW: to avoid sudden power switch by system power supply transition, the power-on reset and tPUW (internal timer) may protect the Flash.
- Valid command length checking: The command length will be checked whether it is at byte base and completed on byte boundary.
- Write Enable (WREN) command: WREN command is required to set the Write Enable Latch bit (WEL) before other command to change data. The WEL bit will return to reset stage under following situation:
  - Power-up
  - Write Disable (WRDI) command completion
  - Write Status Register (WRSR) command completion
  - Page Program (PP) command completion
  - Sector Erase (SE) command completion
  - Block Erase (BE) command completion
  - Chip Erase (CE) command completion
- Software Protection Mode (SPM): by using BP0-BP2 bits to set the part of Flash protected from data change.
- Hardware Protection Mode (HPM): by using WP# going low to protect the BP0-BP2 bits and SRWD bit from data change.
- Deep Power Down Mode: By entering deep power down mode, the flash device also is under protected from writing all commands except Release from deep power down mode command (RDP) and Read Electronic Signature command (RES).



MACRONIX  
INTERNATIONAL Co., LTD.

# MX25L4005A

**Table 1. Protected Area Sizes**

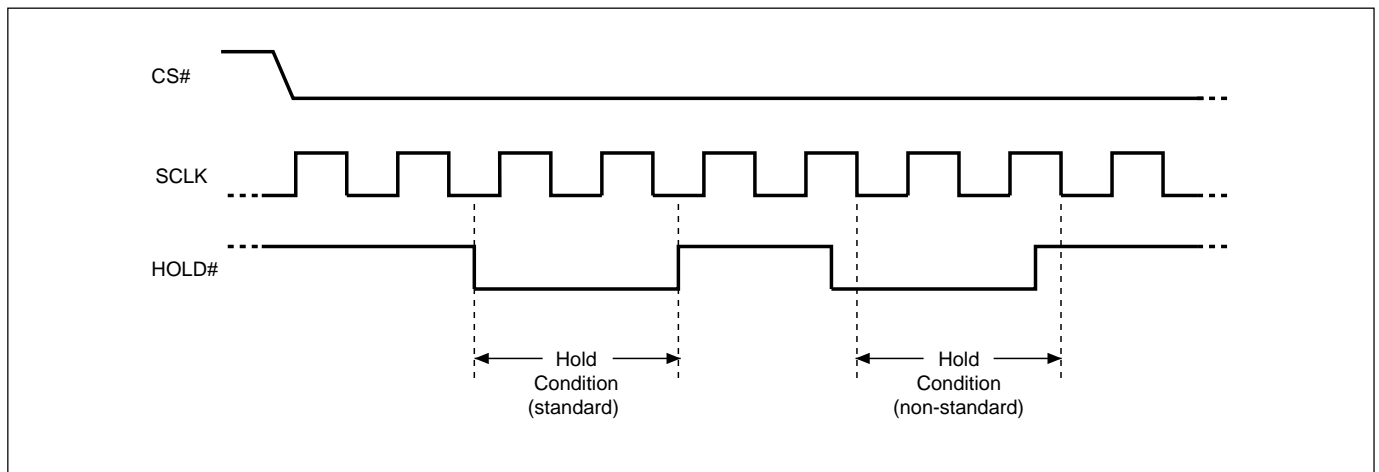
| Status bit |     |     | Protect level | 4Mb       |
|------------|-----|-----|---------------|-----------|
| BP2        | BP1 | BP0 |               |           |
| 0          | 0   | 0   | 0 (none)      | None      |
| 0          | 0   | 1   | 1 (1 block)   | Block 7   |
| 0          | 1   | 0   | 2 (2 blocks)  | Block 6-7 |
| 0          | 1   | 1   | 3 (4 blocks)  | Block 4-7 |
| 1          | 0   | 0   | 4 (8 blocks)  | All       |
| 1          | 0   | 1   | 5 (All)       | All       |
| 1          | 1   | 0   | 6 (All)       | All       |
| 1          | 1   | 1   | 7 (All)       | All       |

## HOLD FEATURE

HOLD# pin signal goes low to hold any serial communications with the device. The HOLD feature will not stop the operation of write status register, programming, or erasing in progress.

The operation of HOLD requires Chip Select (CS#) keeping low and starts on falling edge of HOLD# pin signal while Serial Clock (SCLK) signal is being low (if Serial Clock signal is not being low, HOLD operation will not start until Serial Clock signal being low). The HOLD condition ends on the rising edge of HOLD# pin signal while Serial Clock (SCLK) signal is being low (if Serial Clock signal is not being low, HOLD operation will not end until Serial Clock being low), see Figure 1.

**Figure 1. Hold Condition Operation**



The Serial Data Output (SO) is high impedance, both Serial Data Input (SI) and Serial Clock (SCLK) are don't care during the HOLD operation. If Chip Select (CS#) drives high during HOLD operation, it will reset the internal logic of the device. To re-start communication with chip, the HOLD# must be at high and CS# must be at low.



**Table 2. COMMAND DEFINITION**

| COMMAND (byte) | WREN (write Enable)                   | WRDI (write disable)                   | RDID (read identification)                      | RDSR (read status register)     | WRSR (write status register)               | READ (read data)                     | Fast Read (fast read data) |
|----------------|---------------------------------------|--|---|---------------------------------|--|--------------------------------------|----------------------------|
| 1st            | 06 Hex                                | 04 Hex                                 | 9F Hex  | 05 Hex                          | 01 Hex                                     | 03 Hex                               | 0B Hex                     |
| 2nd            |                                       |  |   |                                 |  | AD1                                  | AD1                        |
| 3rd            |                                       |  |   |                                 |  | AD2                                  | AD2                        |
| 4th            |                                       |  |   |                                 |  | AD3                                  | AD3                        |
| 5th            |                                       |  |   |                                 |  |                                      | x                          |
| Action         | sets the (WEL) write enable latch bit | reset the (WEL) write enable latch bit | output the manufacturer ID and 2-byte device ID | to read out the status register | to write new values to the status register | n bytes read out until CS# goes high |                            |

| COMMAND (byte) | SE (Sector Erase) | BE (Block Erase) | CE (Chip Erase) | PP (Page Program) | DP (Deep Power Down) | RDP (Release from Deep Power-down) | RES (Read Electronic ID) | REMS (Read Electronic Manufacturer & Device ID) |
|----------------|-------------------|------------------|-----------------|-------------------|----------------------|------------------------------------|--------------------------|---|
| 1st            | 20 Hex            | 52 or D8 Hex     | 60 or C7 Hex    | 02 Hex            | B9 Hex               | AB Hex                             | AB Hex                   | 90 Hex  |
| 2nd            | AD1               | AD1              |                 | AD1               |                      |                                    | x                        | x   |
| 3rd            | AD2               | AD2              |                 | AD2               |                      |                                    | x                        | x   |
| 4th            | AD3               | AD3              |                 | AD3               |                      |                                    | x                        | ADD(1)  |
| 5th            |                   |                  |                 |                   |                      |                                    |                          |   |
| Action         |                   |                  |                 |                   |                      |                                    |                          | Output the manufacturer ID and device ID        |

(1) ADD=00H will output the manufacturer's ID first and ADD=01H will output device ID first.

(2) It is not recommended to adopt any other code which is not in the above command definition table.



MACRONIX  
INTERNATIONAL Co., LTD.

# MX25L4005A

**Table 3. Memory Organization**

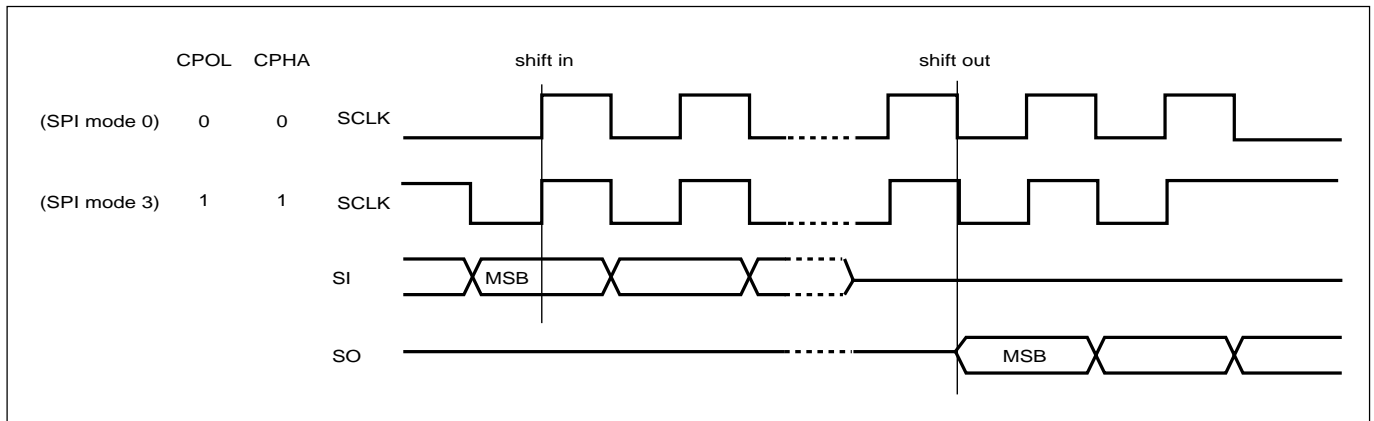
| Block | Sector | Address Range |         |
|-------|--------|---------------|---------|
| 7     | 127    | 07F000h       | 07FFFFh |
|       | ⋮      | ⋮             | ⋮       |
|       | 112    | 070000h       | 070FFFh |
| 6     | 111    | 06F000h       | 06FFFFh |
|       | ⋮      | ⋮             | ⋮       |
|       | 96     | 060000h       | 060FFFh |
| 5     | 95     | 05F000h       | 05FFFFh |
|       | ⋮      | ⋮             | ⋮       |
|       | 80     | 050000h       | 050FFFh |
| 4     | 79     | 04F000h       | 04FFFFh |
|       | ⋮      | ⋮             | ⋮       |
|       | 64     | 040000h       | 040FFFh |
| 3     | 63     | 03F000h       | 03FFFFh |
|       | ⋮      | ⋮             | ⋮       |
|       | 48     | 030000h       | 030FFFh |
| 2     | 47     | 02F000h       | 02FFFFh |
|       | ⋮      | ⋮             | ⋮       |
|       | 32     | 020000h       | 020FFFh |
| 1     | 31     | 01F000h       | 01FFFFh |
|       | ⋮      | ⋮             | ⋮       |
|       | 16     | 010000h       | 010FFFh |
| 0     | 15     | 00F000h       | 00FFFFh |
|       | ⋮      | ⋮             | ⋮       |
|       | 3      | 003000h       | 003FFFh |
|       | 2      | 002000h       | 002FFFh |
|       | 1      | 001000h       | 001FFFh |
|       | 0      | 000000h       | 000FFFh |



## DEVICE OPERATION

1. Before a command is issued, status register should be checked to ensure device is ready for the intended operation.
2. When incorrect command is inputted to this LSI, this LSI becomes standby mode and keeps the standby mode until next CS# falling edge. In standby mode, SO pin of this LSI should be High-Z.
3. When correct command is inputted to this LSI, this LSI becomes active mode and keeps the active mode until next CS# rising edge.
4. Input data is latched on the rising edge of Serial Clock(SCLK) and data shifts out on the falling edge of SCLK. The difference of SPI mode 0 and mode 3 is shown as Figure 2.
5. For the following instructions: RDID, RDSR, READ, FAST\_READ, RES and REMS the shifted-in instruction sequence is followed by a data-out sequence. After any bit of data being shifted out, the CS# can be high. For the following instructions: WREN, WRDI, WRSR, SE, BE, CE, PP, RDP and DP the CS# must go high exactly at the byte boundary; otherwise, the instruction will be rejected and not executed.
6. During the progress of Write Status Register, Program, Erase operation, to access the memory array is neglected and not affect the current operation of Write Status Register, Program, Erase.

**Figure 2. SPI Modes Supported**



**Note:**

CPOL indicates clock polarity of SPI master, CPOL=1 for SCLK high while idle, CPOL=0 for SCLK low while not transmitting. CPHA indicates clock phase. The combination of CPOL bit and CPHA bit decides which SPI mode is supported.



## COMMAND DESCRIPTION

### (1) Write Enable (WREN)

The Write Enable (WREN) instruction is for setting Write Enable Latch (WEL) bit. For those instructions like PP, SE, BE, CE, and WRSR, which are intended to change the device content, should be set every time after the WREN instruction setting the WEL bit.

The sequence of issuing WREN instruction is: CS# goes low-> sending WREN instruction code-> CS# goes high. (see Figure 11)

### (2) Write Disable (WRDI)

The Write Disable (WRDI) instruction is for resetting Write Enable Latch (WEL) bit.

The sequence of issuing WRDI instruction is: CS# goes low-> sending WRDI instruction code-> CS# goes high. (see Figure 12)

The WEL bit is reset by following situations:

- Power-up
- Write Disable (WRDI) instruction completion
- Write Status Register (WRSR) instruction completion
- Page Program (PP) instruction completion
- Sector Erase (SE) instruction completion
- Block Erase (BE) instruction completion
- Chip Erase (CE) instruction completion

### (3) Read Identification (RDID)

The RDID instruction is for reading the manufacturer ID of 1-byte and followed by Device ID of 2-byte. The MXIC Manufacturer ID is C2(hex), the memory type ID is 20(hex) as the first-byte device ID, and the individual device ID of second-byte ID is as followings: 13(hex) for MX25L4005A.

The sequence of issuing RDID instruction is: CS# goes low-> sending RDID instruction code -> 24-bits ID data out on SO -> to end RDID operation can use CS# to high at any time during data out. (see Figure. 13)

While Program/Erase operation is in progress, it will not decode the RDID instruction, so there's no effect on the cycle of program/erase operation which is currently in progress. When CS# goes high, the device is at standby stage.



#### (4) Read Status Register (RDSR)

The RDSR instruction is for reading Status Register Bits. The Read Status Register can be read at any time (even in program/erase/write status register condition) and continuously. It is recommended to check the Write in Progress (WIP) bit before sending a new instruction when a program, erase, or write status register operation is in progress.

The sequence of issuing RDSR instruction is: CS# goes low-> sending RDSR instruction code-> Status Register data out on SO (see Figure. 14)

The definition of the status register bits is as below:

**WIP bit.** The Write in Progress (WIP) bit, a volatile bit, indicates whether the device is busy in program/erase/write status register progress. When WIP bit sets to 1, which means the device is busy in program/erase/write status register progress. When WIP bit sets to 0, which means the device is not in progress of program/erase/write status register cycle.

**WEL bit.** The Write Enable Latch (WEL) bit, a volatile bit, indicates whether the device is set to internal write enable latch. When WEL bit sets to 1, which means the internal write enable latch is set, the device can accept program/erase/write status register instruction. When WEL bit sets to 0, which means no internal write enable latch; the device will not accept program/erase/write status register instruction.

**BP2, BP1, BP0 bits.** The Block Protect (BP2, BP1, BP0) bits, non-volatile bits, indicate the protected area(as defined in table 1) of the device to against the program/erase instruction without hardware protection mode being set. To write the Block Protect (BP2, BP1, BP0) bits requires the Write Status Register (WRSR) instruction to be executed. Those bits define the protected area of the memory to against Page Program (PP), Sector Erase (SE), Block Erase (BE) and Chip Erase(CE) instructions (only if all Block Protect bits set to 0, the CE instruction can be executed)

**SRWD bit.** The Status Register Write Disable (SRWD) bit, non-volatile bit, is operated together with Write Protection (WP#) pin for providing hardware protection mode. The hardware protection mode requires SRWD sets to 1 and WP# pin signal is low stage. In the hardware protection mode, the Write Status Register (WRSR) instruction is no longer accepted for execution and the SRWD bit and Block Protect bits (BP2, BP1, BP0) are read only.

| bit 7                                       | bit 6 | bit 5 | bit 4                                     | bit 3                                     | bit 2                                     | bit 1                                   | bit 0  |
|---|-------|-------|---|---|---|---|--|
| SRWD<br>Status<br>Register Write<br>Protect | 0     | 0     | BP2<br>the level of<br>protected<br>block | BP1<br>the level of<br>protected<br>block | BP0<br>the level of<br>protected<br>block | WEL<br>(write enable<br>latch)          | WIP<br>(write in progress<br>bit)                |
| 1= status<br>register write<br>disable      |       |       | (note 1)                                  | (note 1)                                  | (note 1)                                  | 1=write enable<br>0=not write<br>enable | 1=write operation<br>0=not in write<br>operation |

Note: 1. See the table "Protected Area Sizes".

2. The endurance cycles of protect bits are 100,000 cycles; however, the tW time out spec of protect bits is relaxed as  $tW = N \times 15ms$  (N is a multiple of 10,000 cycles, ex. N = 2 for 20,000 cycles) after 10,000 cycles on those bits.



### (5) Write Status Register (WRSR)

The WRSR instruction is for changing the values of Status Register Bits. Before sending WRSR instruction, the Write Enable (WREN) instruction must be decoded and executed to set the Write Enable Latch (WEL) bit in advance. The WRSR instruction can change the value of Block Protect (BP2, BP1, BP0) bits to define the protected area of memory (as shown in table 1). The WRSR also can set or reset the Status Register Write Disable (SRWD) bit in accordance with Write Protection (WP#) pin signal. The WRSR instruction cannot be executed once the Hardware Protected Mode (HPM) is entered.

The sequence of issuing WRSR instruction is: CS# goes low-> sending WRSR instruction code-> Status Register data on SI-> CS# goes high. (see Figure 15)

The WRSR instruction has no effect on b6, b5, b1, b0 of the status register.

The CS# must go high exactly at the byte boundary; otherwise, the instruction will be rejected and not executed. The self-timed Write Status Register cycle time (tW) is initiated as soon as Chip Select (CS#) goes high. The Write in Progress (WIP) bit still can be check out during the Write Status Register cycle is in progress. The WIP sets 1 during the tW timing, and sets 0 when Write Status Register Cycle is completed, and the Write Enable Latch (WEL) bit is reset.

**Table 4. Protection Modes**

| Mode                           | Status register condition   | WP# and SRWD bit status  | Memory   |
|--------------------------------|---|--|--|
| Software protection mode(SPM)  | Status register can be written in (WEL bit is set to "1") and the SRWD, BP0-BP2 bits can be changed | WP#=1 and SRWD bit=0, or WP#=0 and SRWD bit=0, or WP#=1 and SRWD=1 | The protected area cannot be program or erase. |
| Hardware protection mode (HPM) | The SRWD, BP0-BP2 of status register bits cannot be changed   | WP#=0, SRWD bit=1  | The protected area cannot be program or erase. |

Note:

1. As defined by the values in the Block Protect (BP2, BP1, BP0) bits of the Status Register, as shown in Table 1.

As the above table showing, the summary of the Software Protected Mode (SPM) and Hardware Protected Mode (HPM).

Software Protected Mode (SPM):

- When SRWD bit=0, no matter WP# is low or high, the WREN instruction may set the WEL bit and can change the values of SRWD, BP2, BP1, BP0. The protected area, which is defined by BP2, BP1, BP0, is at software protected mode (SPM).
- When SRWD bit=1 and WP# is high, the WREN instruction may set the WEL bit can change the values of SRWD, BP2, BP1, BP0. The protected area, which is defined by BP2, BP1, BP0, is at software protected mode (SPM).

Note: If SRWD bit=1 but WP# is low, it is impossible to write the Status Register even if the WEL bit has previously been set. It is rejected to write the Status Register and not be executed.



Hardware Protected Mode (HPM):

- When SRWD bit=1, and then WP# is low (or WP# is low before SRWD bit=1), it enters the hardware protected mode (HPM). The data of the protected area is protected by software protected mode by BP2, BP1, BP0 and hardware protected mode by the WP# to against data modification.

Note: to exit the hardware protected mode requires WP# driving high once the hardware protected mode is entered. If the WP# pin is permanently connected to high, the hardware protected mode can never be entered; only can use software protected mode via BP2, BP1, BP0.

## **(6) Read Data Bytes (READ)**

The read instruction is for reading data out. The address is latched on rising edge of SCLK, and data shifts out on the falling edge of SCLK at a maximum frequency fR. The first address byte can be at any location. The address is automatically increased to the next higher address after each byte data is shifted out, so the whole memory can be read out at a single READ instruction. The address counter rolls over to 0 when the highest address has been reached.

The sequence of issuing READ instruction is: CS# goes low-> sending READ instruction code-> 3-byte address on SI -> data out on SO-> to end READ operation can use CS# to high at any time during data out. (see Figure. 16)

## **(7) Read Data Bytes at Higher Speed (FAST\_READ)**

The FAST\_READ instruction is for quickly reading data out. The address is latched on rising edge of SCLK, and data of each bit shifts out on the falling edge of SCLK at a maximum frequency fC. The first address byte can be at any location. The address is automatically increased to the next higher address after each byte data is shifted out, so the whole memory can be read out at a single FAST\_READ instruction. The address counter rolls over to 0 when the highest address has been reached.

The sequence of issuing FAST\_READ instruction is: CS# goes low-> sending FAST\_READ instruction code-> 3-byte address on SI-> 1-dummy byte address on SI->data out on SO-> to end FAST\_READ operation can use CS# to high at any time during data out. (see Figure. 17)

While Program/Erase/Write Status Register cycle is in progress, FAST\_READ instruction is rejected without any impact on the Program/Erase/Write Status Register current cycle.

## **(8) Sector Erase (SE)**

The Sector Erase (SE) instruction is for erasing the data of the chosen sector to be "1". A Write Enable (WREN) instruction must execute to set the Write Enable Latch (WEL) bit before sending the Sector Erase (SE). Any address of the sector (see table 3) is a valid address for Sector Erase (SE) instruction. The CS# must go high exactly at the byte boundary (the latest eighth of address byte been latched-in); otherwise, the instruction will be rejected and not executed.

Address bits [Am-A12] (Am is the most significant address) select the sector address.

The sequence of issuing SE instruction is: CS# goes low -> sending SE instruction code-> 3-byte address on SI -> CS# goes high. (see Figure 19)

The self-timed Sector Erase Cycle time (tSE) is initiated as soon as Chip Select (CS#) goes high. The Write in Progress (WIP) bit still can be check out during the Sector Erase cycle is in progress. The WIP sets 1 during the tSE timing, and sets 0 when Sector Erase Cycle is completed, and the Write Enable Latch (WEL) bit is reset. If the page is protected by BP2, BP1, BP0 bits, the Sector Erase (SE) instruction will not be executed on the page.



### **(9) Block Erase (BE)**

The Block Erase (BE) instruction is for erasing the data of the chosen block to be "1". A Write Enable (WREN) instruction must execute to set the Write Enable Latch (WEL) bit before sending the Block Erase (BE). Any address of the block (see table 3) is a valid address for Block Erase (BE) instruction. The CS# must go high exactly at the byte boundary (the latest eighth of address byte been latched-in); otherwise, the instruction will be rejected and not executed.

The sequence of issuing BE instruction is: CS# goes low -> sending BE instruction code-> 3-byte address on SI -> CS# goes high. (see Figure 20)

The self-timed Block Erase Cycle time (tBE) is initiated as soon as Chip Select (CS#) goes high. The Write in Progress (WIP) bit still can be check out during the Sector Erase cycle is in progress. The WIP sets 1 during the tBE timing, and sets 0 when Sector Erase Cycle is completed, and the Write Enable Latch (WEL) bit is reset. If the page is protected by BP2, BP1, BP0 bits, the Block Erase (BE) instruction will not be executed on the page.

### **(10) Chip Erase (CE)**

The Chip Erase (CE) instruction is for erasing the data of the whole chip to be "1". A Write Enable (WREN) instruction must execute to set the Write Enable Latch (WEL) bit before sending the Chip Erase (CE). Any address of the sector (see table 3) is a valid address for Chip Erase (CE) instruction. The CS# must go high exactly at the byte boundary (the latest eighth of address byte been latched-in); otherwise, the instruction will be rejected and not executed.

The sequence of issuing CE instruction is: CS# goes low-> sending CE instruction code-> CS# goes high. (see Figure 20)

The self-timed Chip Erase Cycle time (tCE) is initiated as soon as Chip Select (CS#) goes high. The Write in Progress (WIP) bit still can be check out during the Chip Erase cycle is in progress. The WIP sets 1 during the tCE timing, and sets 0 when Chip Erase Cycle is completed, and the Write Enable Latch (WEL) bit is reset. If the chip is protected by BP2, BP1, BP0 bits, the Chip Erase (CE) instruction will not be executed. It will be only executed when BP2, BP1, BP0 all set to "0".

### **(11) Page Program (PP)**

The Page Program (PP) instruction is for programming the memory to be "0". A Write Enable (WREN) instruction must execute to set the Write Enable Latch (WEL) bit before sending the Page Program (PP). The device programs only the last 256 data bytes sent to the device. If the entire 256 data bytes are going to be programmed, A7-A0 (The eight least significant address bits) should be set to 0. If the eight least significant address bits (A7-A0) are not all 0, all transmitted data going beyond the end of the current page are programmed from the start address of the same page (from the address A7-A0 are all 0). If more than 256 bytes are sent to the device, the data of the last 256-byte is programmed at the request page and previous data will be disregarded. If less than 256 bytes are sent to the device, the data is programmed at the requested address of the page without effect on other address of the same page.

The sequence of issuing PP instruction is: CS# goes low-> sending PP instruction code-> 3-byte address on SI-> at least 1-byte on data on SI-> CS# goes high. (see Figure 18)

The CS# must be kept to low during the whole Page Program cycle; The CS# must go high exactly at the byte boundary (the latest eighth bit of data being latched in), otherwise the instruction will be rejected and will not be executed.

The self-timed Page Program Cycle time (tPP) is initiated as soon as Chip Select (CS#) goes high. The Write in Progress (WIP) bit still can be check out during the Page Program cycle is in progress. The WIP sets 1 during the tPP timing, and sets 0 when Page Program Cycle is completed, and the Write Enable Latch (WEL) bit is reset. If the page is protected by BP3, BP2, BP1, BP0 bits, the Page Program (PP) instruction will not be executed.



### **(12) Deep Power-down (DP)**

The Deep Power-down (DP) instruction is for setting the device on the minimizing the power consumption (to entering the Deep Power-down mode), the standby current is reduced from ISB1 to ISB2). The Deep Power-down mode requires the Deep Power-down (DP) instruction to enter, during the Deep Power-down mode, the device is not active and all Write/Program/Erase instruction are ignored. When CS# goes high, it's only in standby mode not deep power-down mode. It's different from Standby mode.

The sequence of issuing DP instruction is: CS# goes low-> sending DP instruction code-> CS# goes high. (see Figure 22)

Once the DP instruction is set, all instruction will be ignored except the Release from Deep Power-down mode (RDP) and Read Electronic Signature (RES) instruction. (RES instruction to allow the ID been read out). When Power-down, the deep power-down mode automatically stops, and when power-up, the device automatically is in standby mode. For RDP instruction the CS# must go high exactly at the byte boundary (the latest eighth bit of instruction code been latched-in); otherwise, the instruction will not executed. As soon as Chip Select (CS#) goes high, a delay of tDP is required before entering the Deep Power-down mode and reducing the current to ISB2.

### **(13) Release from Deep Power-down (RDP), Read Electronic Signature (RES)**

The Release from Deep Power-down (RDP) instruction is terminated by driving Chip Select (CS#) High. When Chip Select (CS#) is driven High, the device is put in the Stand-by Power mode. If the device was not previously in the Deep Power-down mode, the transition to the Stand-by Power mode is immediate. If the device was previously in the Deep Power-down mode, though, the transition to the Stand-by Power mode is delayed by tRES2, and Chip Select (CS#) must remain High for at least tRES2(max), as specified in Table 6. Once in the Stand-by Power mode, the device waits to be selected, so that it can receive, decode and execute instructions.

RES instruction is for reading out the old style of 8-bit Electronic Signature, whose values are shown as table of ID Definitions. This is not the same as RDID instruction. It is not recommended to use for new design. For new design, please use RDID instruction. Even in Deep power-down mode, the RDP and RES are also allowed to be executed, only except the device is in progress of program/erase/write cycle; there's no effect on the current program/erase/write cycle in progress.

The sequence is shown as Figure 23,24.

The RES instruction is ended by CS# goes high after the ID been read out at least once. The ID outputs repeatedly if continuously send the additional clock cycles on SCLK while CS# is at low. If the device was not previously in Deep Power-down mode, the device transition to standby mode is immediate. If the device was previously in Deep Power-down mode, there's a delay of tRES2 to transit to standby mode, and CS# must remain to high at least tRES2(max). Once in the standby mode, the device waits to be selected, so it can be receive, decode, and execute instruction.

The RDP instruction is for releasing from Deep Power Down Mode.



### (14) Read Electronic Manufacturer ID & Device ID (REMS)

The REMS instruction is an alternative to the Release from Power-down/Device ID instruction that provides both the JEDEC assigned manufacturer ID and the specific device ID.

The REMS instruction is very similar to the Release from Power-down/Device ID instruction. The instruction is initiated by driving the CS# pin low and shift the instruction code "90h" followed by two dummy bytes and one bytes address (A7~A0). After which, the Manufacturer ID for MXIC (C2h) and the Device ID are shifted out on the falling edge of SCLK with most significant bit (MSB) first as shown in figure 25. The Device ID values are listed in Table of ID Definitions on page 16. If the one-byte address is initially set to 01h, then the device ID will be read first and then followed by the Manufacturer ID. The Manufacturer and Device IDs can be read continuously, alternating from one to the other. The instruction is completed by driving CS# high.

**Table of ID Definitions:**

|              |                 |             |                |
|--------------|-----------------|-------------|----------------|
| RDID Command | manufacturer ID | memory type | memory density |
|              | C2              | 20          | 13             |
| RES Command  | electronic ID   |             |                |
|              | 12              |             |                |
| REMS Command | manufacturer ID | device ID   |                |
|              | C2              | 12          |                |





MACRONIX  
INTERNATIONAL Co., LTD.

**MX25L4005A**

---

## POWER-ON STATE

The device is at below states when power-up:

- Standby mode ( please note it is not deep power-down mode)
- Write Enable Latch (WEL) bit is reset

The device must not be selected during power-up and power-down stage unless the VCC achieves below correct level:

- VCC minimum at power-up stage and then after a delay of tVSL
- GND at power-down

Please note that a pull-up resistor on CS# may ensure a safe and proper power-up/down level.

An internal power-on reset (POR) circuit may protect the device from data corruption and inadvertent data change during power up state. When VCC is lower than VWI (POR threshold voltage value), the internal logic is reset and the flash device has no response to any command.

For further protection on the device, after VCC reaching the VWI level, a tPUW time delay is required before the device is fully accessible for commands like write enable(WREN), page program (PP), sector erase(SE), chip erase(CE) and write status register(WRSR). If the VCC does not reach the VCC minimum level, the correct operation is not guaranteed. The write, erase, and program command should be sent after the below time delay:

- tPUW after VCC reached VWI level
- tVSL after VCC reached VCC minimum level

The device can accept read command after VCC reached VCC minimum and a time delay of tVSL, even time of tPUW has not passed.

Please refer to the figure of "power-up timing".

Note:

- To stabilize the VCC level, the VCC rail decoupled by a suitable capacitor close to package pins is recommended.(generally around 0.1uF)
- At power-down stage, the VCC drops below VWI level, all operations are disable and device has no response to any command. The data corruption might occur during the stage while a write, program, erase cycle is in progress.

## ELECTRICAL SPECIFICATIONS

### ABSOLUTE MAXIMUM RATINGS

| RATING                        | VALUE  |
|-------------------------------|--|
| Ambient Operating Temperature | -40°C to 85°C for Industrial grade<br>0°C to 70°C for Commercial grade |
| Storage Temperature           | -55°C to 125°C   |
| Applied Input Voltage         | -0.5V to 4.6V  |
| Applied Output Voltage        | -0.5V to 4.6V  |
| VCC to Ground Potential       | -0.5V to 4.6V  |

Notes:

1. Stresses greater than those listed under ABSOLUTE MAXIMUM RATINGS may cause permanent damage to the device. This is stress rating only and functional operational sections of this specification is not implied. Exposure to absolute maximum rating conditions for extended period may affect reliability.
2. Specifications contained within the following tables are subject to change.
3. During voltage transitions, all pins may overshoot to 4.6V or -0.5V for period up to 20ns.
4. All input and output pins may overshoot to VCC+0.5V while VCC+0.5V is smaller than or equal to 4.6V.

Figure 3. Maximum Negative Overshoot Waveform

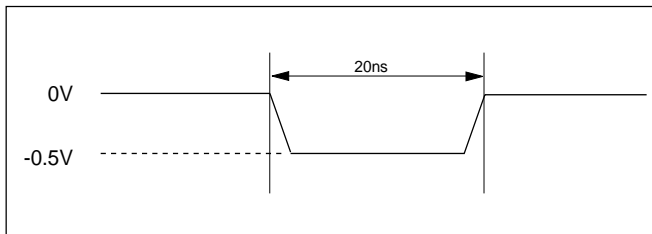
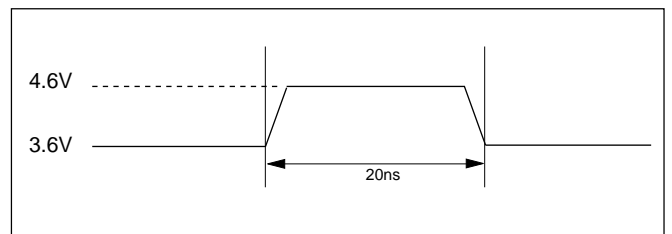


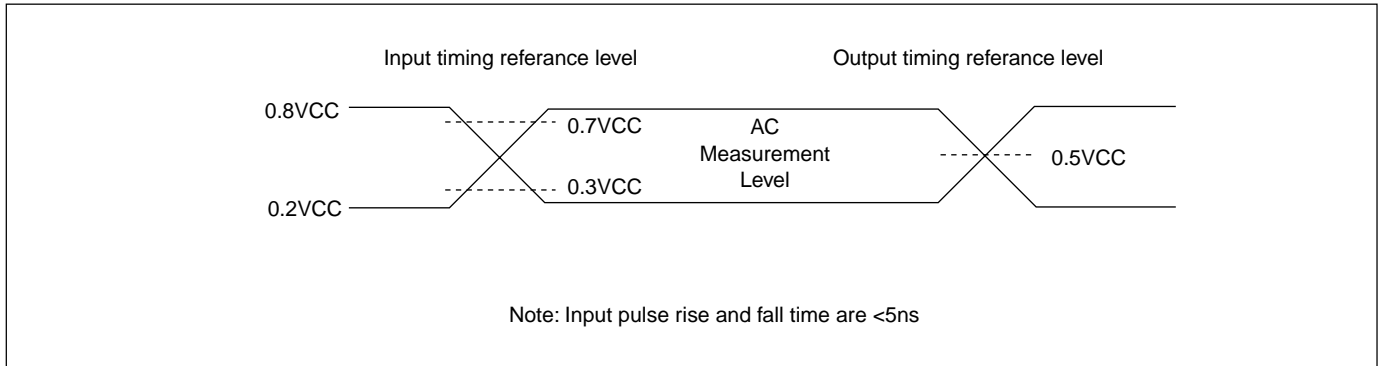
Figure 4. Maximum Positive Overshoot Waveform



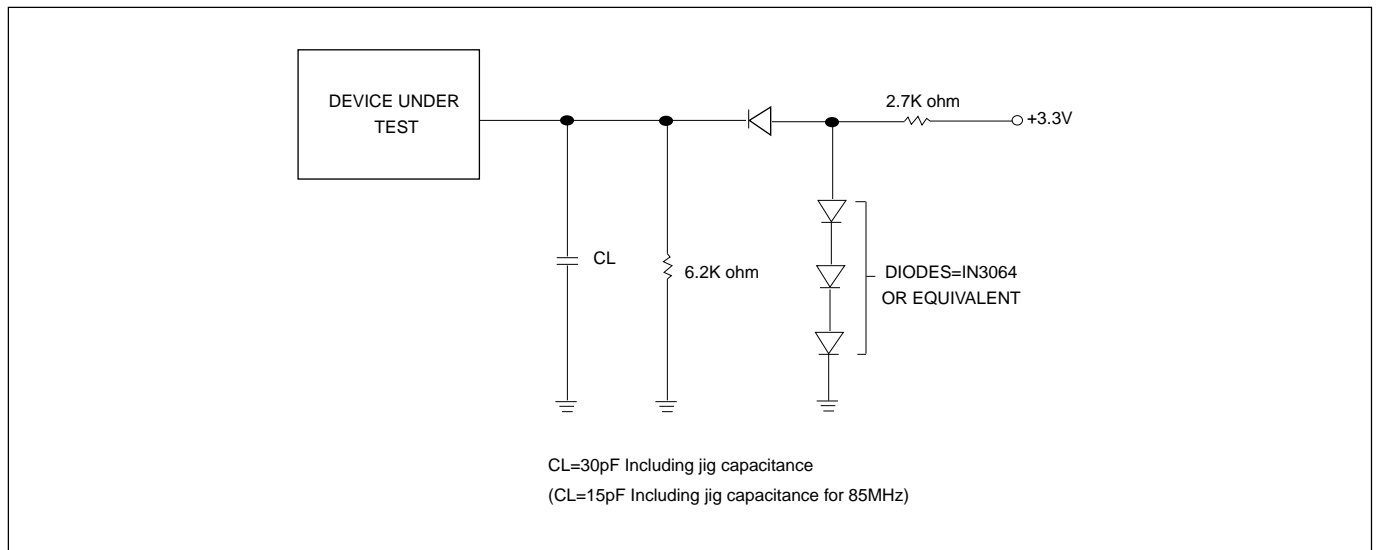
### CAPACITANCE TA = 25°C, f = 1.0 MHz

| SYMBOL | PARAMETER          | MIN. | TYP | MAX. | UNIT | CONDITIONS |
|--------|--------------------|------|-----|------|------|------------|
| CIN    | Input Capacitance  |      |     | 6    | pF   | VIN = 0V   |
| COUT   | Output Capacitance |      |     | 8    | pF   | VOUT = 0V  |

**Figure 5. INPUT TEST WAVEFORMS AND MEASUREMENT LEVEL**



**Figure 6. OUTPUT LOADING**





MACRONIX  
INTERNATIONAL CO., LTD.

# MX25L4005A

**Table 5. DC CHARACTERISTICS (Temperature = -40°C to 85°C for Industrial grade, Temperature = 0°C to 70°C for Commercial grade, VCC = 2.7V ~ 3.6V)**

| SYMBOL | PARAMETER                                | NOTES | MIN.    | TYP | MAX.    | UNITS | TEST CONDITIONS                                |
|--------|--|-------|---------|-----|---------|-------|--|
| ILI    | Input Load Current                       | 1     |         |     | ± 2     | uA    | VCC = VCC Max<br>VIN = VCC or GND              |
| ILO    | Output Leakage Current                   | 1     |         |     | ± 2     | uA    | VCC = VCC Max<br>VIN = VCC or GND              |
| ISB1   | VCC Standby Current                      | 1     |         |     | 10      | uA    | VIN = VCC or GND<br>CS# = VCC                  |
| ISB2   | Deep Power-down Current                  |       |         |     | 10      | uA    | VIN = VCC or GND<br>CS# = VCC                  |
| ICC1   | VCC Read                                 | 1     |         |     | 12      | mA    | f=85MHz<br>SCLK=0.1VCC/0.9VCC, SO=Open         |
|        |  |       |         |     | 8       | mA    | f=66MHz<br>SCLK=0.1VCC/0.9VCC, SO=Open         |
|        |  |       |         |     | 4       | mA    | f=33MHz<br>SCLK=0.1VCC/0.9VCC, SO=Open         |
| ICC2   | VCC Program Current (PP)                 | 1     |         |     | 15      | mA    | Program in Progress<br>CS# = VCC               |
| ICC3   | VCC Write Status Register (WRSR) Current |       |         |     | 15      | mA    | Program status register in progress<br>CS#=VCC |
| ICC4   | VCC Sector Erase Current (SE)            | 1     |         |     | 15      | mA    | Erase in Progress<br>CS#=VCC                   |
| ICC5   | VCC Chip Erase Current (CE)              | 1     |         |     | 15      | mA    | Erase in Progress<br>CS#=VCC                   |
| VIL    | Input Low Voltage                        |       | -0.5    |     | 0.3VCC  | V     |  |
| VIH    | Input High Voltage                       |       | 0.7VCC  |     | VCC+0.4 | V     |  |
| VOL    | Output Low Voltage                       |       |         |     | 0.4     | V     | IOL = 1.6mA                                    |
| VOH    | Output High Voltage                      |       | VCC-0.2 |     |         | V     | IOH = -100uA                                   |

**Notes :**

1. Typical values at VCC = 3.3V, T = 25°C. These currents are valid for all product versions (package and speeds).
2. Typical value is calculated by simulation.



MACRONIX  
INTERNATIONAL Co., LTD.

# MX25L4005A

**Table 6. AC CHARACTERISTICS (Temperature = -40°C to 85°C for Industrial grade, Temperature = 0°C to 70°C for Commercial grade, VCC = 2.7V ~ 3.6V)**

| Symbol   | Alt. | Parameter   | Min.                       | Typ. | Max.   | Unit |
|----------|------|---|----------------------------|------|--|------|
| fSCLK    | fC   | Clock Frequency for the following instructions:<br>FAST_READ, PP, SE, BE, CE, DP, RES,RDP<br>WREN, WRDI, RDID, RDSR, WRSR | 1KHz                       |      | 85<br>(Condition:15pF)<br>66<br>(Condition:30pF) | MHz  |
| fRSCLK   | fR   | Clock Frequency for READ instructions   | 1KHz                       |      | 33   | MHz  |
| tCH(1)   | tCLH | Clock High Time   | 7                          |      |  | ns   |
| tCL(1)   | tCLL | Clock Low Time  | 7                          |      |  | ns   |
| tCLCH(2) |      | Clock Rise Time (3) (peak to peak)  | 0.1                        |      |  | V/ns |
| tCHCL(2) |      | Clock Fall Time (3) (peak to peak)  | 0.1                        |      |  | V/ns |
| tSLCH    | tCSS | CS# Active Setup Time (relative to SCLK)  | 5                          |      |  | ns   |
| tCHSL    |      | CS# Not Active Hold Time (relative to SCLK)   | 5                          |      |  | ns   |
| tDVCH    | tDSU | Data In Setup Time  | 2                          |      |  | ns   |
| tCHDX    | tDH  | Data In Hold Time   | 5                          |      |  | ns   |
| tCHSH    |      | CS# Active Hold Time (relative to SCLK)   | 5                          |      |  | ns   |
| tSHCH    |      | CS# Not Active Setup Time (relative to SCLK)  | 5                          |      |  | ns   |
| tSHSL    | tCSH | CS# Deselect Time   | 100                        |      |  | ns   |
| tSHQZ(2) | tDIS | Output Disable Time   |                            |      | 6  | ns   |
| tCLQV    | tV   | Clock Low to Output Valid   | @33MHz 30pF                |      | 8  | ns   |
|          |      |   | @85MHz 15pF or @66MHz 30pF |      | 6  | ns   |
| tCLQX    | tHO  | Output Hold Time  | 0                          |      |  | ns   |
| tHLCH    |      | HOLD# Setup Time (relative to SCLK)   | 5                          |      |  | ns   |
| tCHHH    |      | HOLD# Hold Time (relative to SCLK)  | 5                          |      |  | ns   |
| tHHCH    |      | HOLD Setup Time (relative to SCLK)  | 5                          |      |  | ns   |
| tCHHL    |      | HOLD Hold Time (relative to SCLK)   | 5                          |      |  | ns   |
| tHHQX(2) | tLZ  | HOLD to Output Low-Z  |                            |      | 6  | ns   |
| tHLQZ(2) | tHZ  | HOLD# to Output High-Z  |                            |      | 6  | ns   |
| tWHSL(4) |      | Write Protect Setup Time  | 20                         |      |  | ns   |
| tSHWL(4) |      | Write Protect Hold Time   | 100                        |      |  | ns   |
| tDP(2)   |      | CS# High to Deep Power-down Mode  |                            |      | 3  | us   |
| tRES1(2) |      | CS# High to Standby Mode without Electronic Signature Read  |                            |      | 3  | us   |
| tRES2(2) |      | CS# High to Standby Mode with Electronic Signature Read   |                            |      | 1.8  | us   |
| tW       |      | Write Status Register Cycle Time  |                            | 5    | 15   | ms   |
| tPP      |      | Page Program Cycle Time   |                            | 1.4  | 5  | ms   |
| tSE      |      | Sector Erase Cycle Time   |                            | 60   | 120  | ms   |
| tBE      |      | Block Erase Cycle Time  |                            | 1    | 2  | s    |
| tCE      |      | Chip Erase Cycle Time   |                            | 3.5  | 7.5  | s    |

Note:

1. tCH + tCL must be greater than or equal to 1/ fC
2. Value guaranteed by characterization, not 100% tested in production.
3. Expressed as a slew-rate.
4. Only applicable as a constraint for a WRSR instruction when SRWD is set at 1.
5. Test condition is shown as Figure 3.



**Table 7. Power-Up Timing and VWI Threshold**

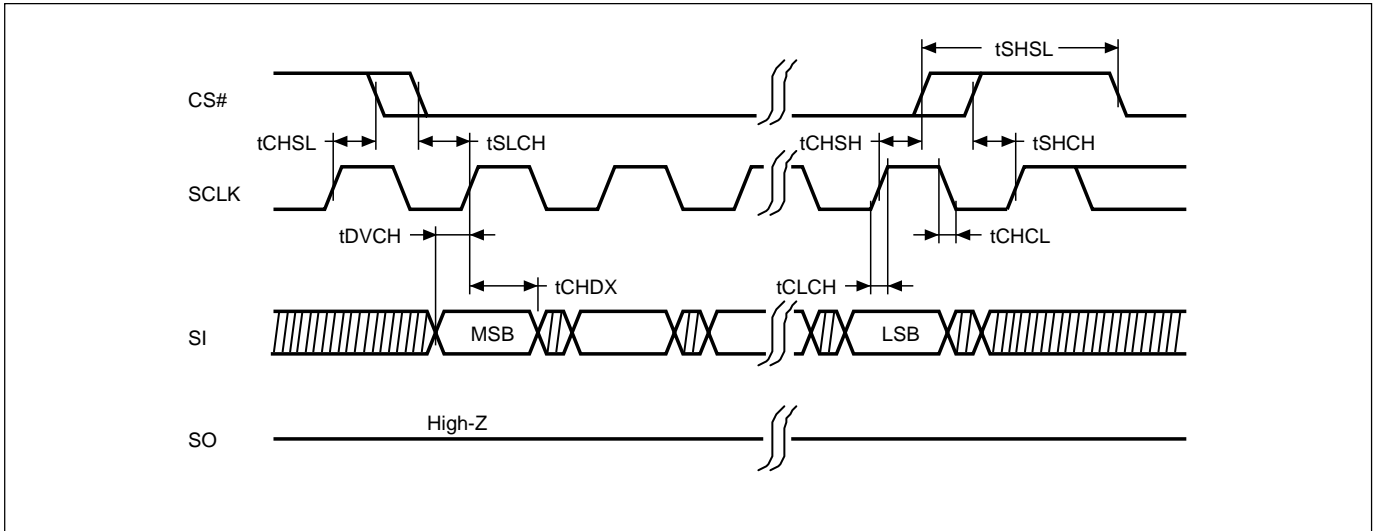
| Symbol  | Parameter                       | Min. | Max. | Unit |
|---------|---------------------------------|------|------|------|
| tVSL(1) | VCC(min) to CS# low             | 10   |      | us   |
| tPUW(1) | Time delay to Write instruction | 1    | 10   | ms   |
| VWI(1)  | Write Inhibit Voltage           | 1.5  | 2.5  | V    |

Note: 1. These parameters are characterized only.

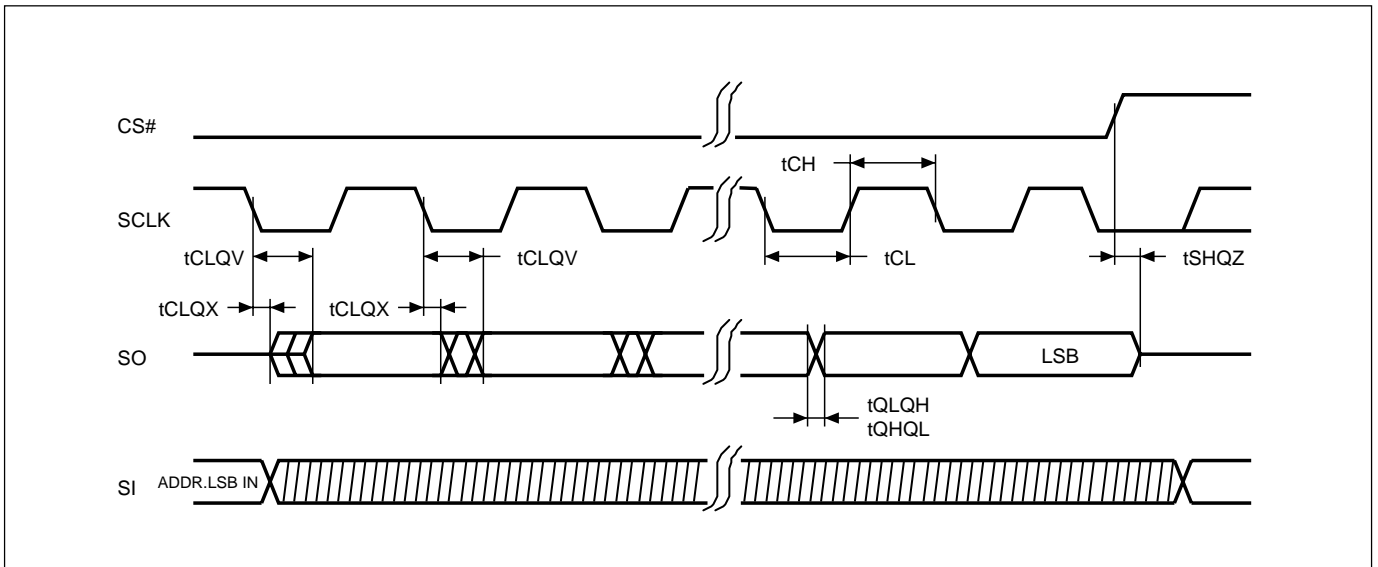
### INITIAL DELIVERY STATE

The device is delivered with the memory array erased: all bits are set to 1 (each byte contains FFh). The Status Register contains 00h (all Status Register bits are 0).

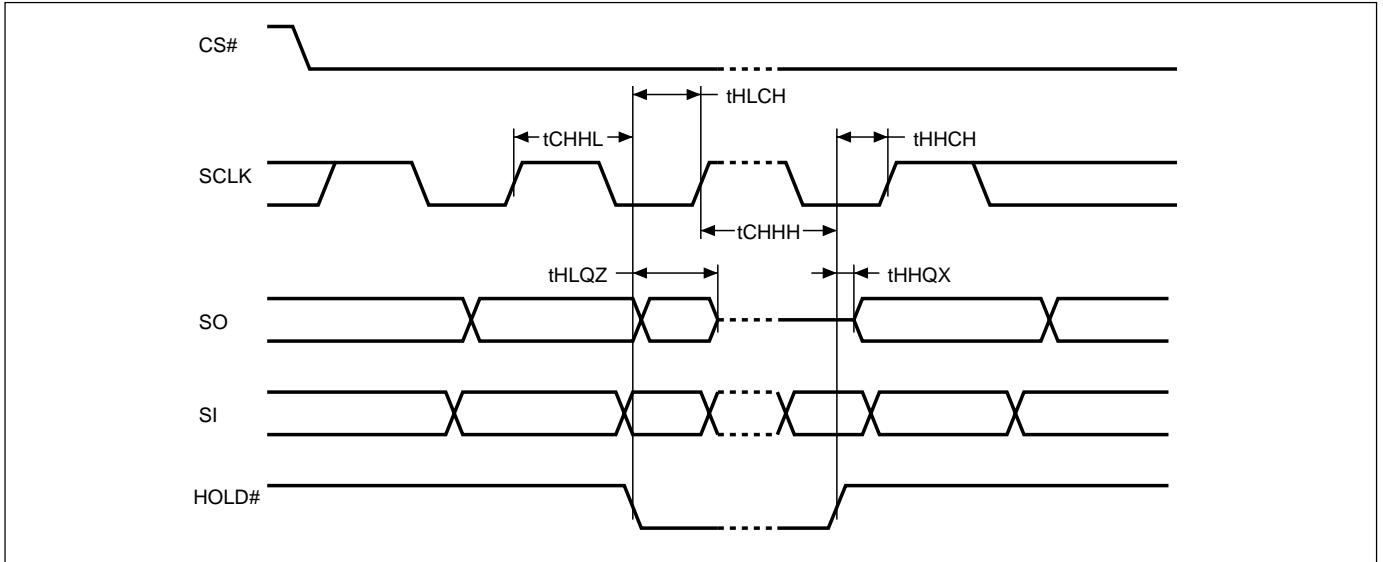
**Figure 7. Serial Input Timing**



**Figure 8. Output Timing**

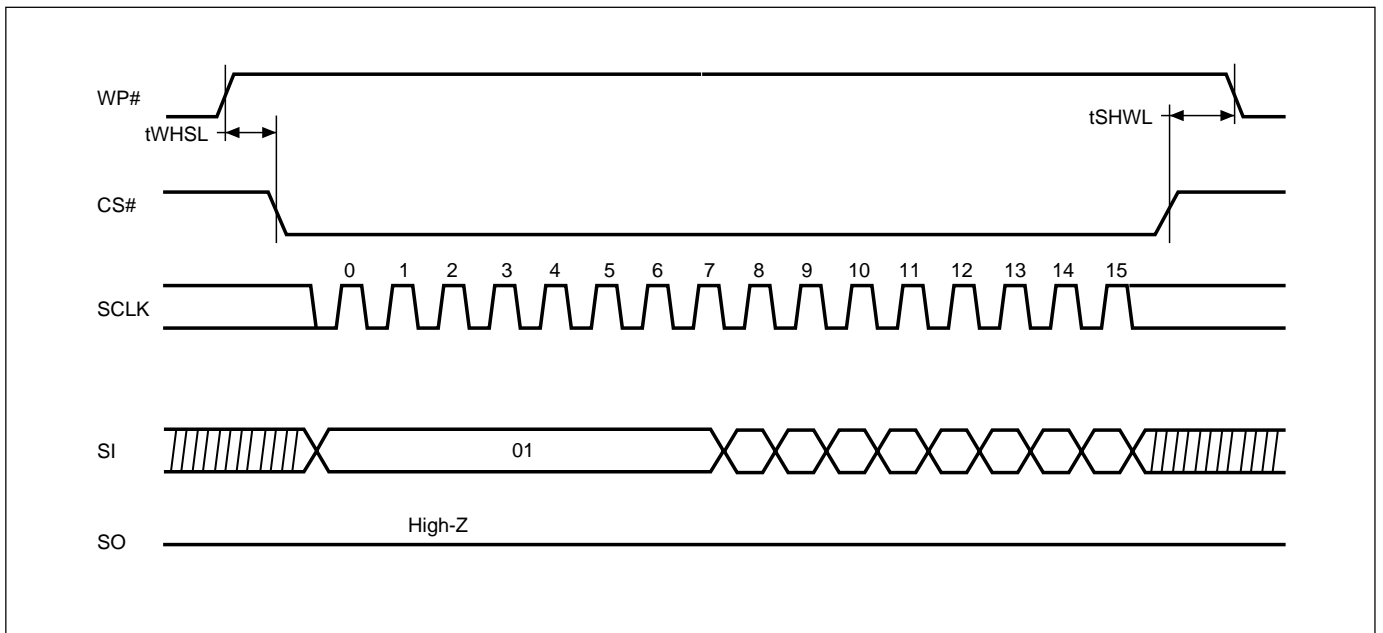


**Figure 9. Hold Timing**



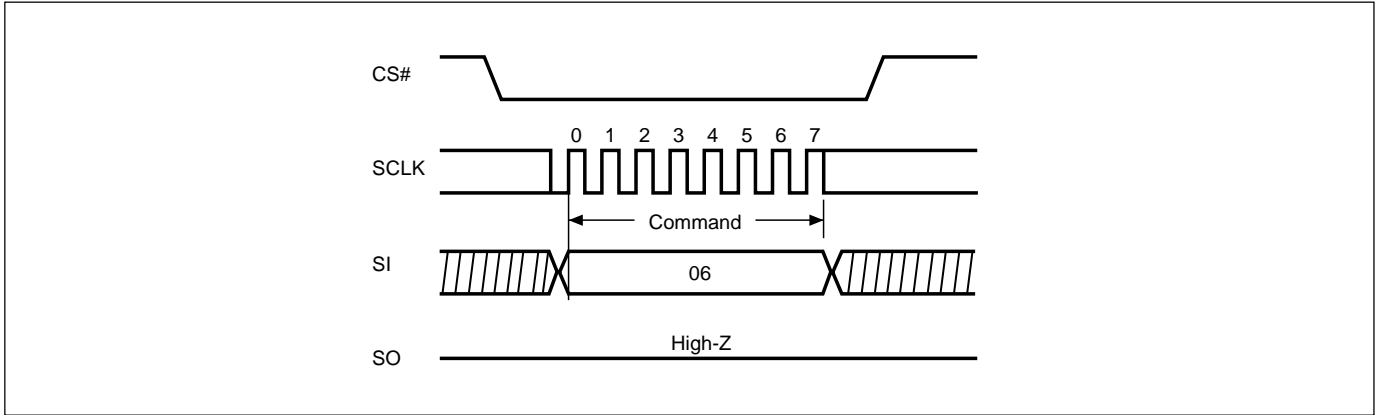
\* SI is "don't care" during HOLD operation.

**Figure 10. WP# Disable Setup and Hold Timing during WRSR when SRWD=1**

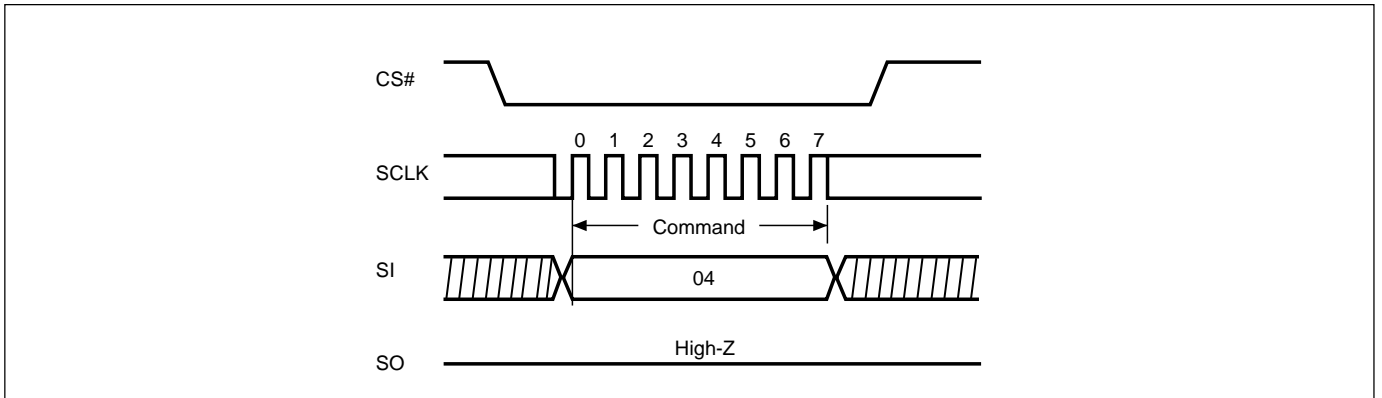




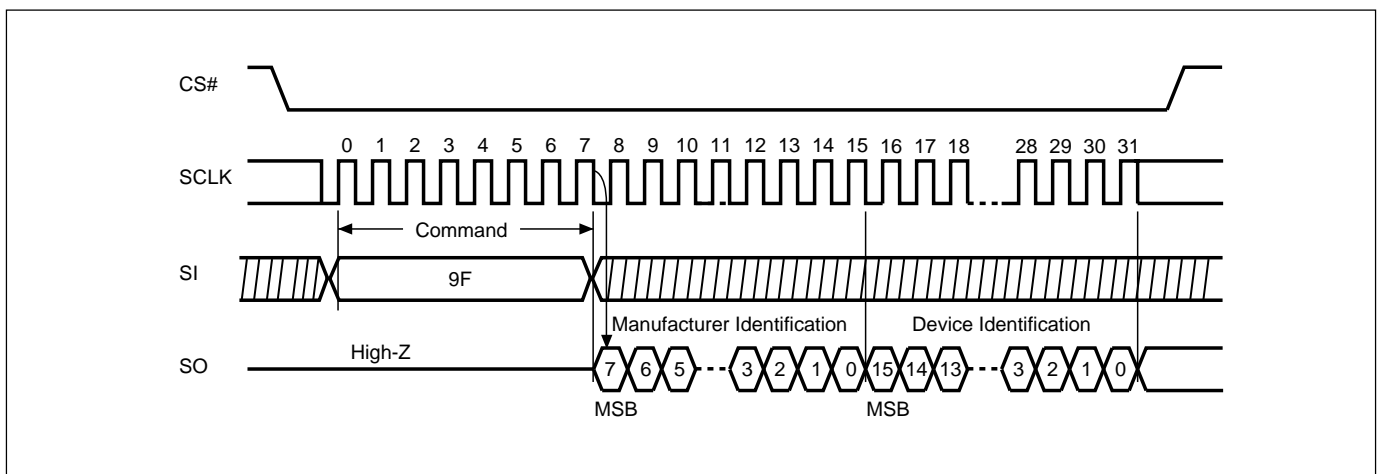
**Figure 11. Write Enable (WREN) Sequence (Command 06)**



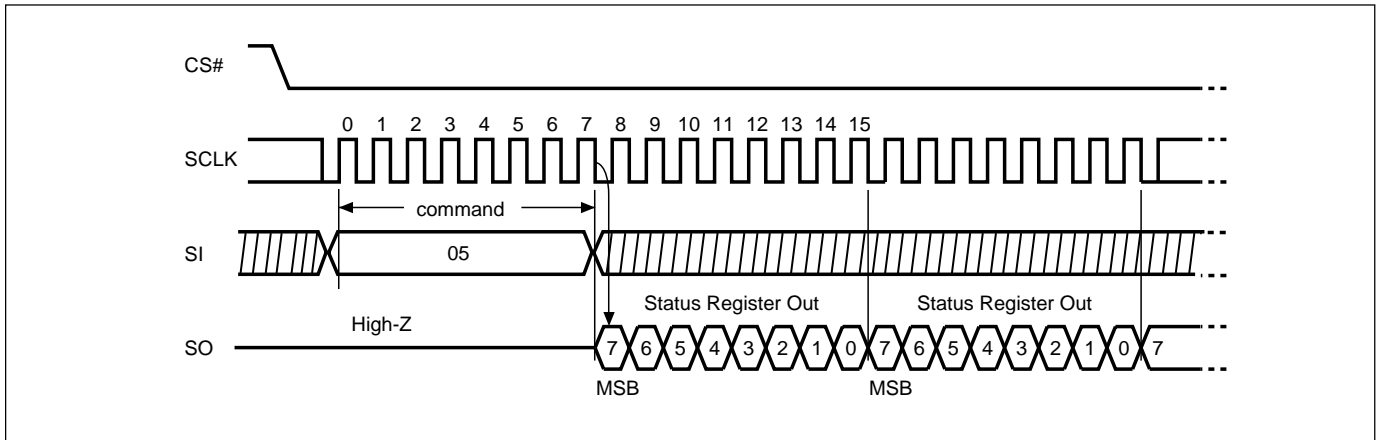
**Figure 12. Write Disable (WRDI) Sequence (Command 04)**



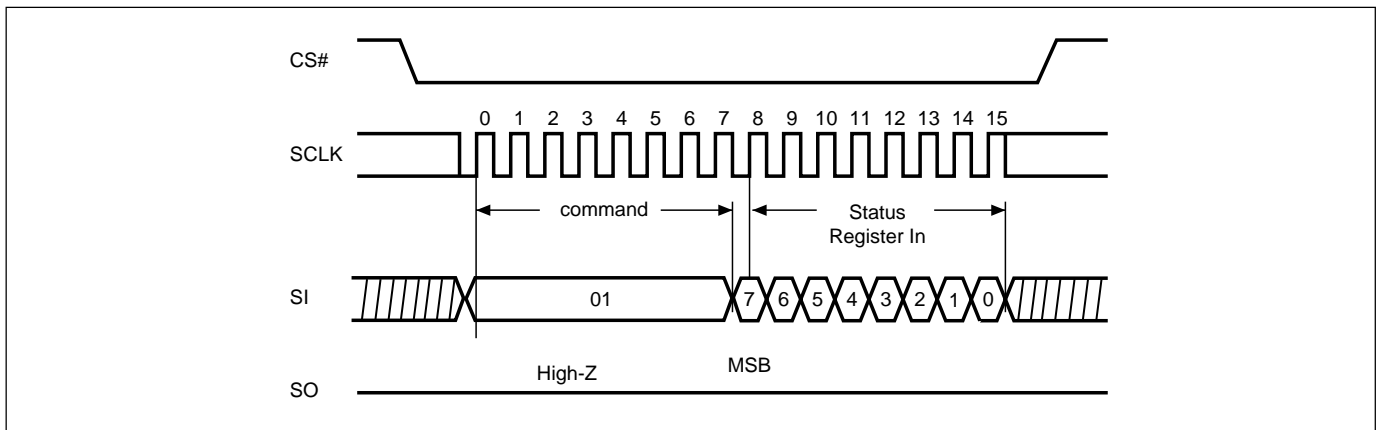
**Figure 13. Read Identification (RDID) Sequence (Command 9F)**



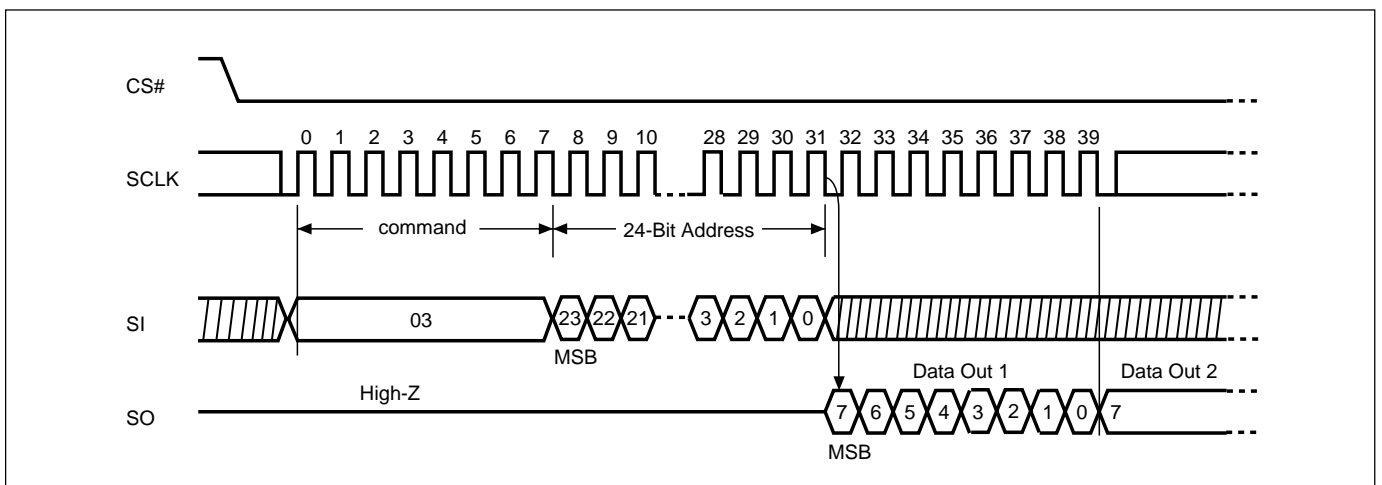
**Figure 14. Read Status Register (RDSR) Sequence (Command 05)**



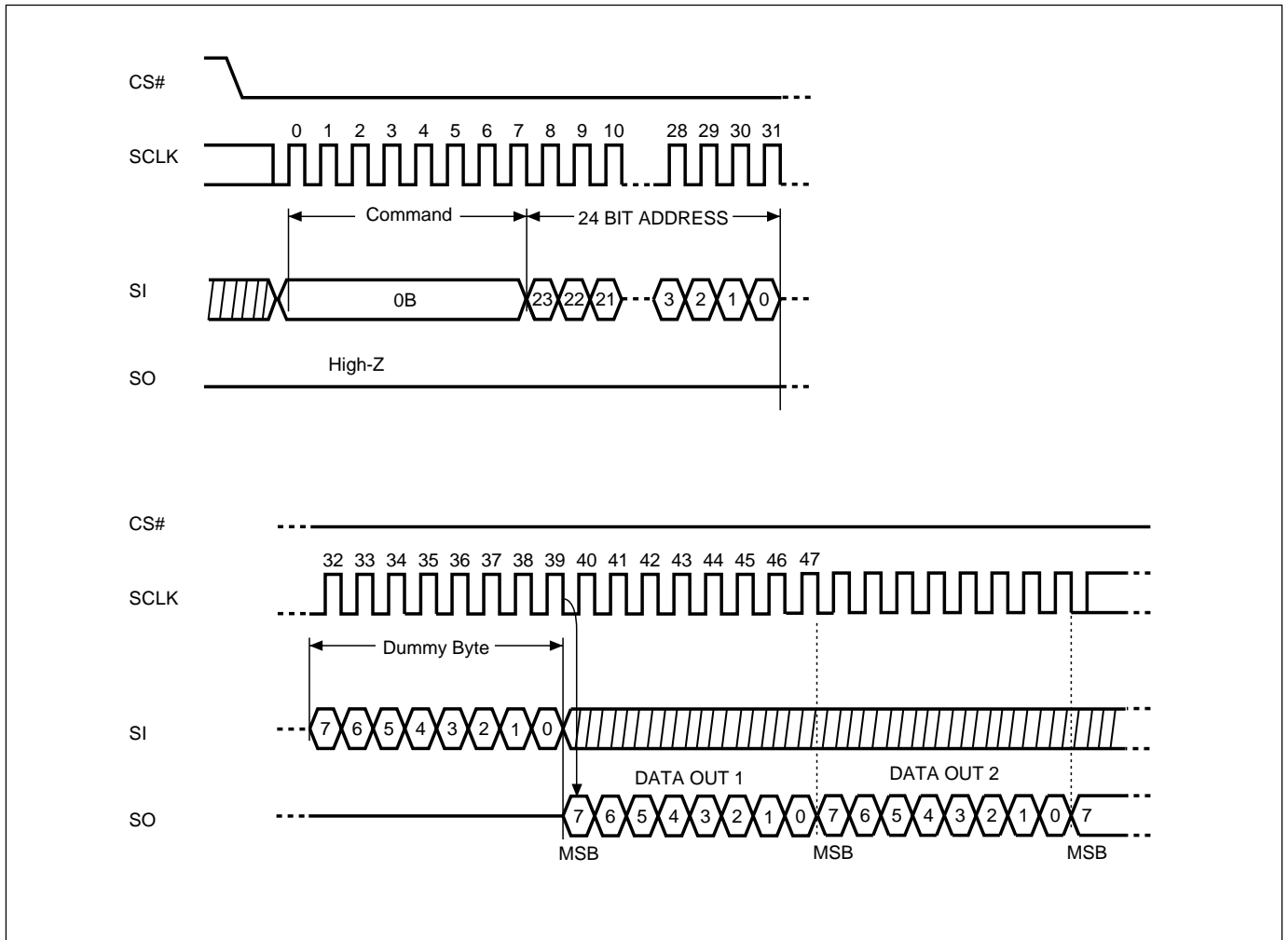
**Figure 15. Write Status Register (WRSR) Sequence (Command 01)**



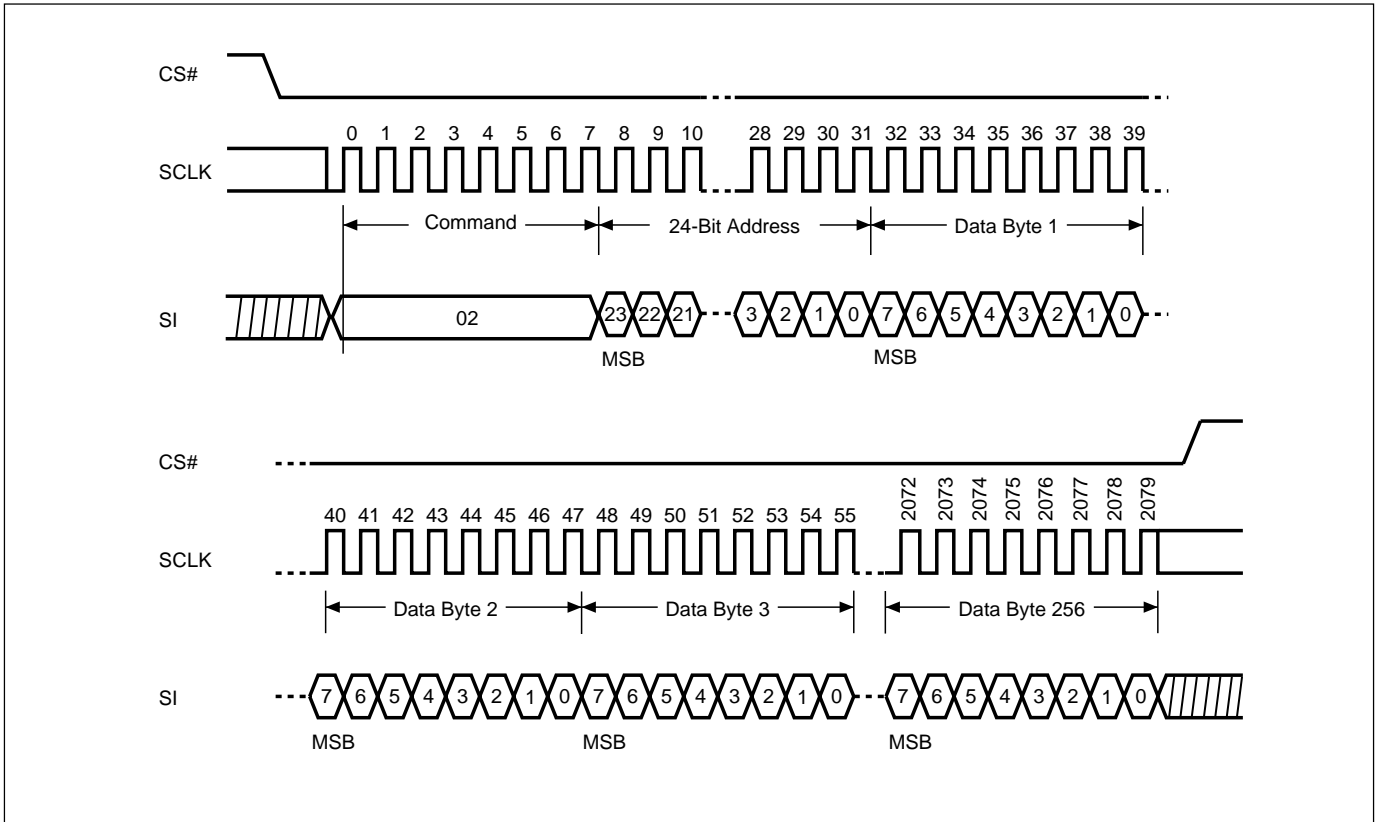
**Figure 16. Read Data Bytes (READ) Sequence (Command 03)**



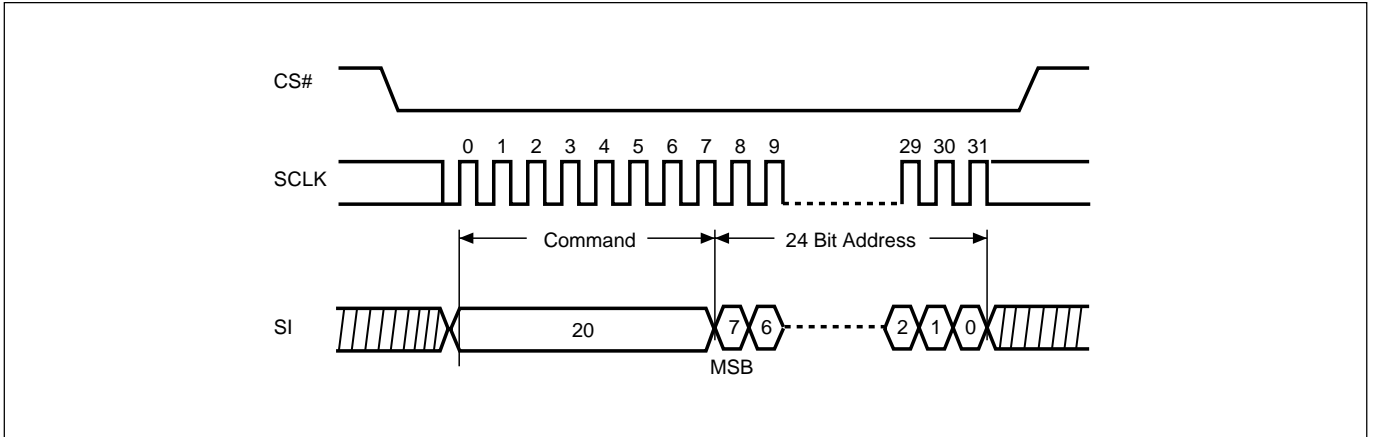
**Figure 17. Read at Higher Speed (FAST\_READ) Sequence (Command 0B)**



**Figure 18. Page Program (PP) Sequence (Command 02)**

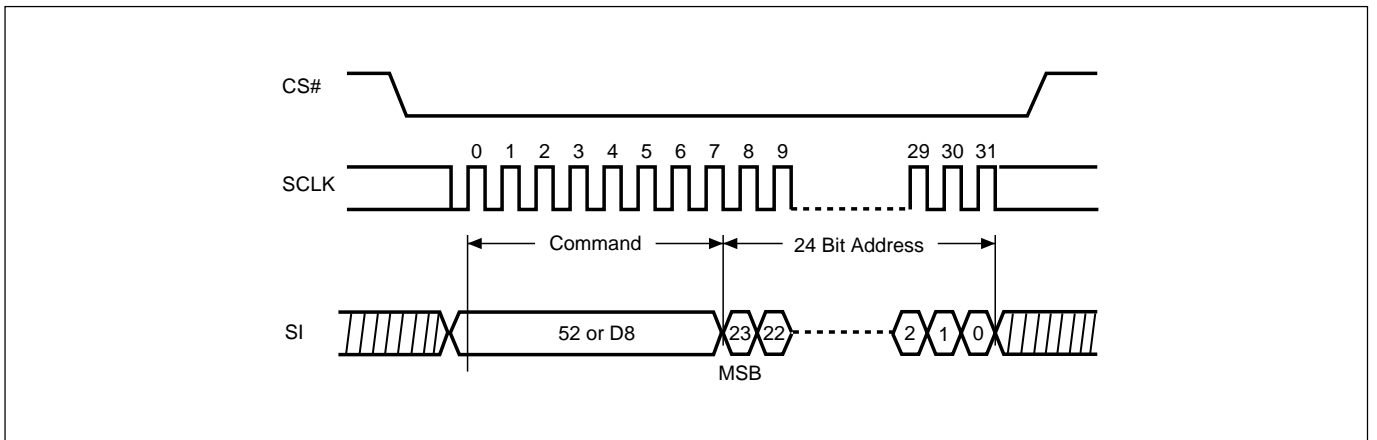


**Figure 19. Sector Erase (SE) Sequence (Command 20)**



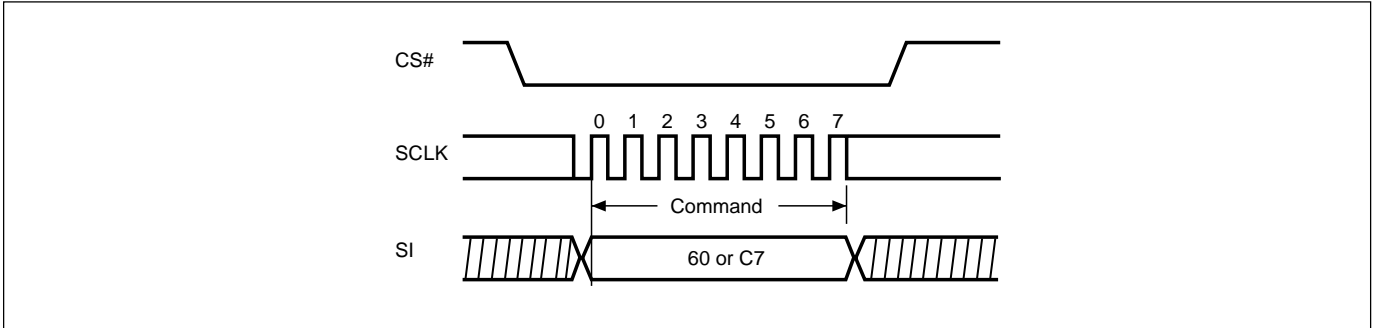
Note: SE command is 20(hex).

**Figure 20. Block Erase (BE) Sequence (Command 52 or D8)**



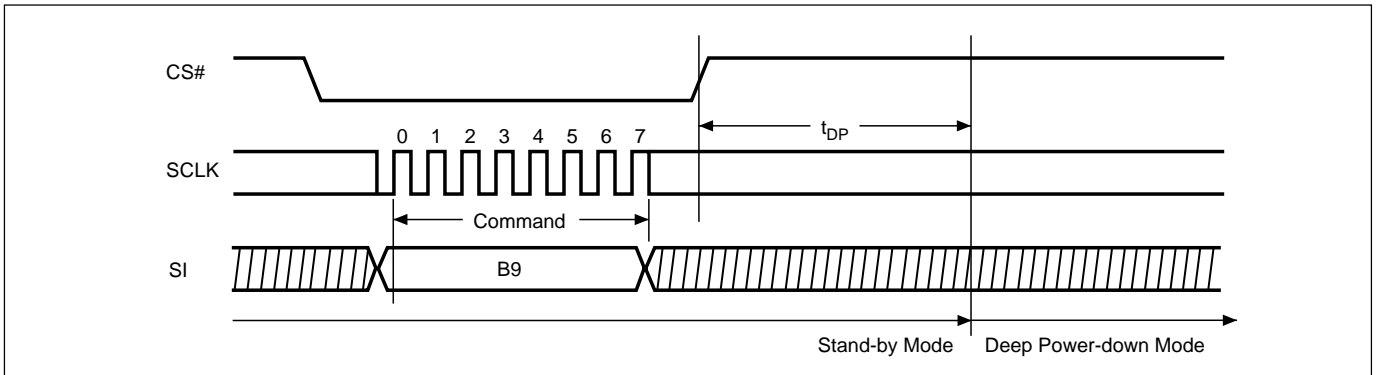
Note: BE command is 52 or D8(hex).

**Figure 21. Chip Erase (CE) Sequence (Command 60 or C7)**

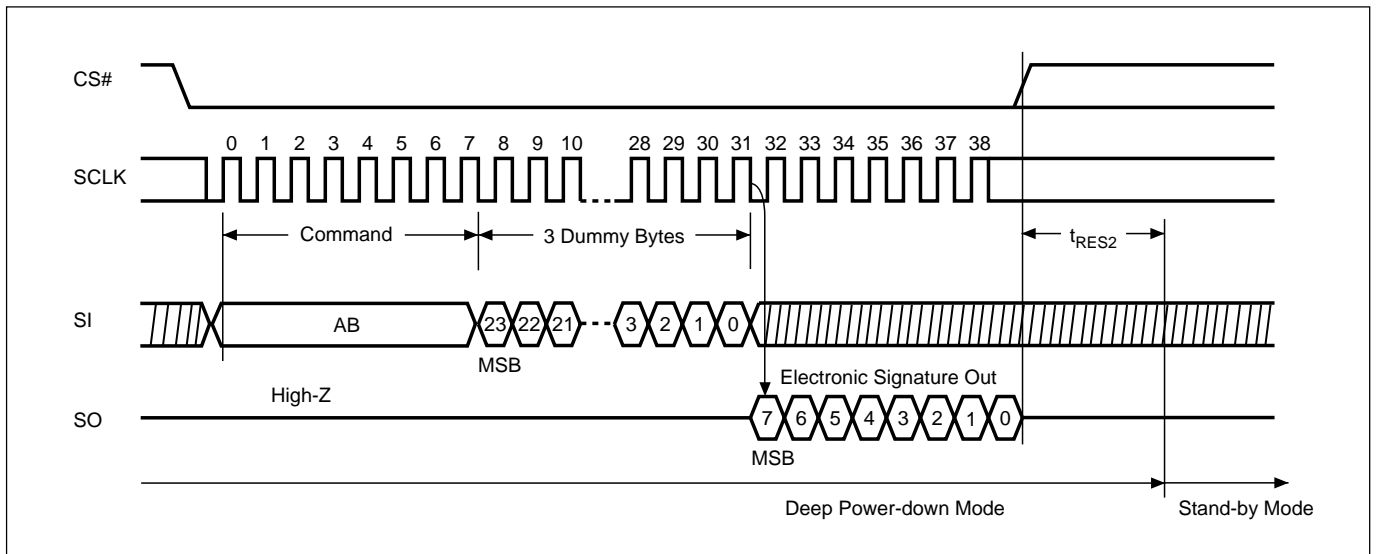


Note: CE command is 60(hex) or C7(hex).

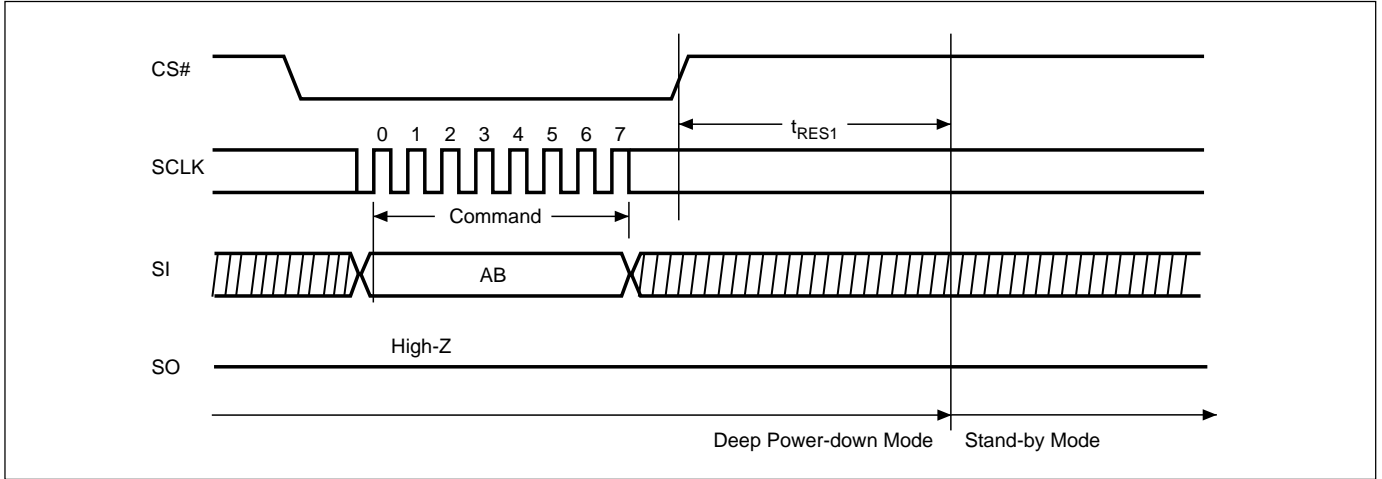
**Figure 22. Deep Power-down (DP) Sequence (Command B9)**



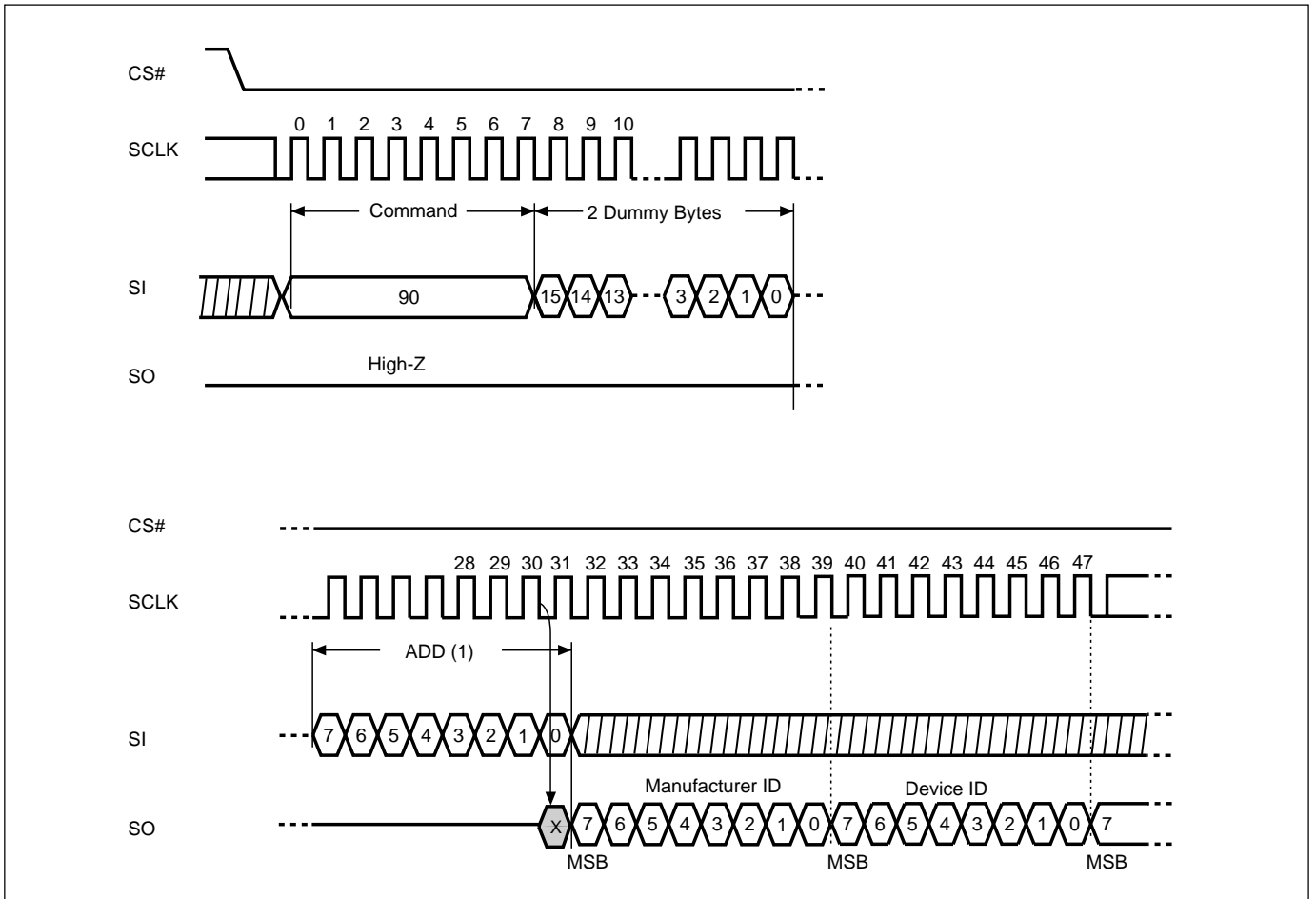
**Figure 23. Release from Deep Power-down and Read Electronic Signature (RES) Sequence (Command AB)**



**Figure 24. Release from Deep Power-down (RDP) Sequence (Command AB)**



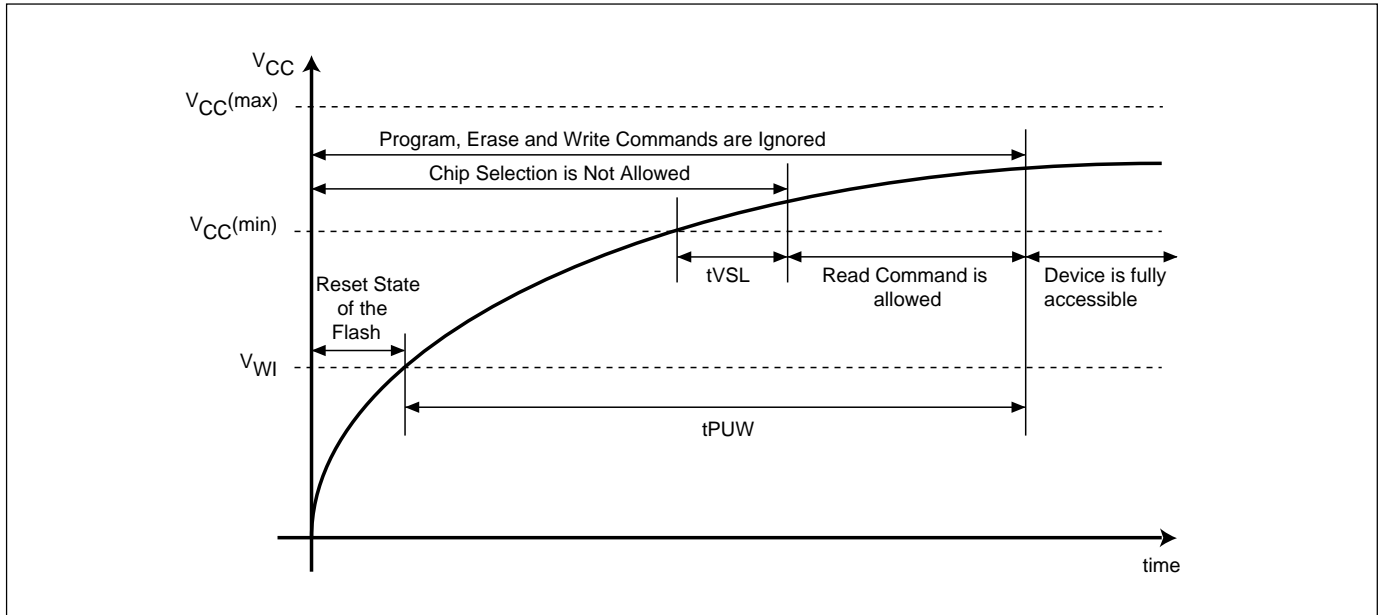
**Figure 25. Read Electronic Manufacturer & Device ID (REMS) Sequence (Command 90)**



Notes:

(1) ADD=00H will output the manufacturer's ID first and ADD=01H will output device ID first

Figure 26. Power-up Timing

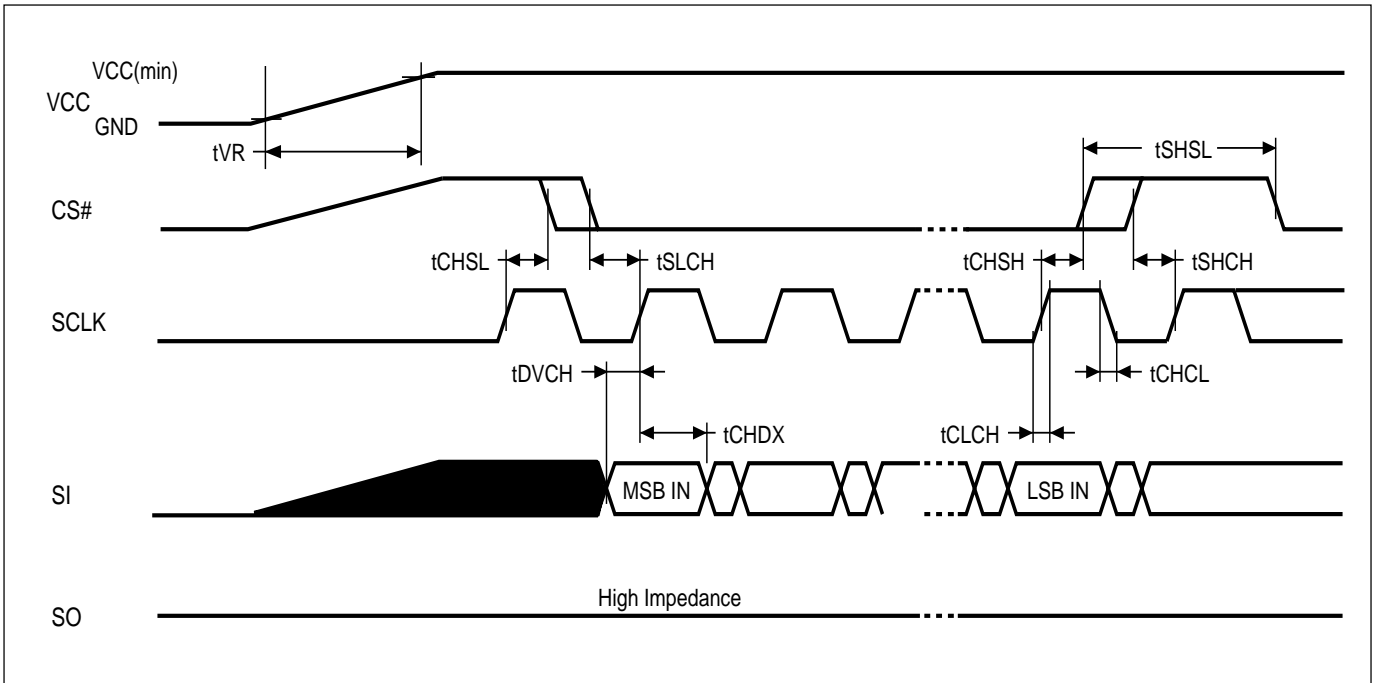




**RECOMMENDED OPERATING CONDITIONS**

**At Device Power-Up**

AC timing illustrated in Figure A is recommended for the supply voltages and the control signals at device power-up. If the timing in the figure is ignored, the device may not operate correctly.



**Figure A. AC Timing at Device Power-Up**

| Symbol | Parameter     | Notes | Min. | Max.   | Unit |
|--------|---------------|-------|------|--------|------|
| tVR    | VCC Rise Time | 1     | 0.5  | 500000 | us/V |

Notes :

1. Sampled, not 100% tested.
2. For AC spec tCHSL, tSLCH, tDVCH, tCHDX, tSHSL, tCHSH, tSHCH, tCHCL, tCLCH in the figure, please refer to "AC CHARACTERISTICS" table.



## ERASE AND PROGRAMMING PERFORMANCE

| PARAMETER                        | Min.    | TYP. (1) | Max. (2) | UNIT   |
|----------------------------------|---------|----------|----------|--------|
| Write Status Register Cycle Time |         | 5        | 15       | ms     |
| Sector erase Time                |         | 60       | 120      | ms     |
| Block erase Time                 |         | 1        | 2        | s      |
| Chip Erase Time                  |         | 3.5      | 7.5      | s      |
| Page Program Time                |         | 1.4      | 5        | ms     |
| Erase/Program Cycle              | 100,000 |          |          | cycles |

Note:

1. Typical program and erase time assumes the following conditions: 25°C, 3.3V, and checker board pattern.
2. Under worst conditions of 70°C and 3.0V.
3. System-level overhead is the time required to execute the first-bus-cycle sequence for the programming command.
4. The maximum chip programming time is evaluated under the worst conditions of 0C, VCC=3.0V, and 100K cycle with 90% confidence level.

## LATCH-UP CHARACTERISTICS

|   | MIN.   | MAX.       |
|---|--------|------------|
| Input Voltage with respect to GND on ACC                                      | -1.0V  | 12.5V      |
| Input Voltage with respect to GND on all power pins, SI, CS#                  | -1.0V  | 2 VCCmax   |
| Input Voltage with respect to GND on SO                                       | -1.0V  | VCC + 1.0V |
| Current   | -100mA | +100mA     |
| Includes all pins except VCC. Test conditions: VCC = 3.0V, one pin at a time. |        |            |



MACRONIX  
INTERNATIONAL Co., LTD.

## MX25L4005A

### ORDERING INFORMATION

| PART NO.          | CLOCK<br>(MHz) | OPERATING<br>CURRENT(mA) | STANDBY<br>CURRENT(uA) | Temperature | PACKAGE                | Remark  |
|-------------------|----------------|--------------------------|------------------------|-------------|------------------------|---------|
| MX25L4005AMC-12G  | 85             | 12                       | 10                     | 0~70°C      | 8-SOP<br>(150mil)      | Pb-free |
| MX25L4005AM2C-12G | 85             | 12                       | 10                     | 0~70°C      | 8-SOP<br>(200mil)      | Pb-free |
| MX25L4005APC-12G  | 85             | 12                       | 10                     | 0~70°C      | 8-PDIP<br>(300mil)     | Pb-free |
| MX25L4005AZMC-12G | 85             | 12                       | 10                     | 0~70°C      | 8-land SON<br>(6x5mm)  | Pb-free |
| MX25L4005AMI-12G  | 85             | 12                       | 10                     | -40~85°C    | 8-SOP<br>(150mil)      | Pb-free |
| MX25L4005AM2I-12G | 85             | 12                       | 10                     | -40~85°C    | 8-SOP<br>(200mil)      | Pb-free |
| MX25L4005AZMI-12G | 85             | 12                       | 10                     | -40~85°C    | 8-land SON<br>(6x5mm)  | Pb-free |
| MX25L4005AZNI-12G | 85             | 12                       | 10                     | -40~85°C    | 8-land WSON<br>(6x5mm) | Pb-free |
| MX25L4005AZUI-12G | 85             | 12                       | 10                     | -40~85°C    | 8-land USON<br>(4x4mm) | Pb-free |

Note:

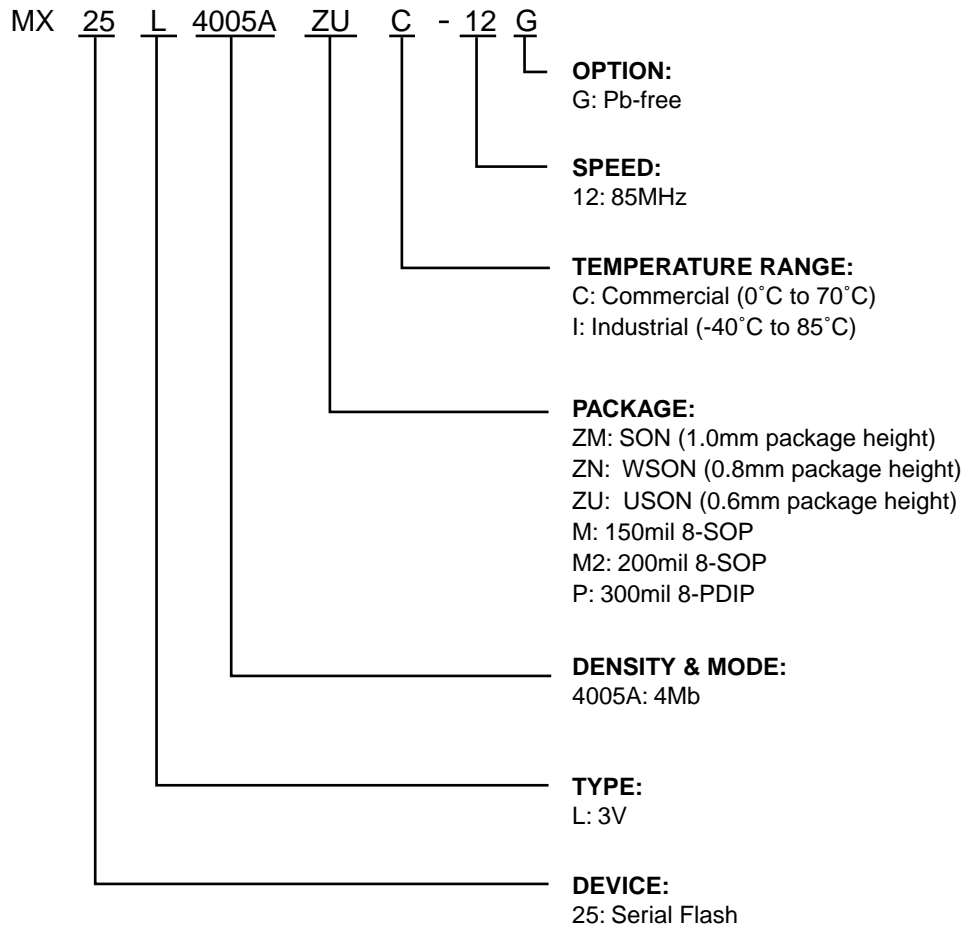
1. 8-land USON is in development.
2. 8-land SON is not recommended for new design.



MACRONIX  
INTERNATIONAL Co., LTD.

# MX25L4005A

## PART NAME DESCRIPTION



Note:  
ZM: SON(1.0mm package height) is not recommended for new design.

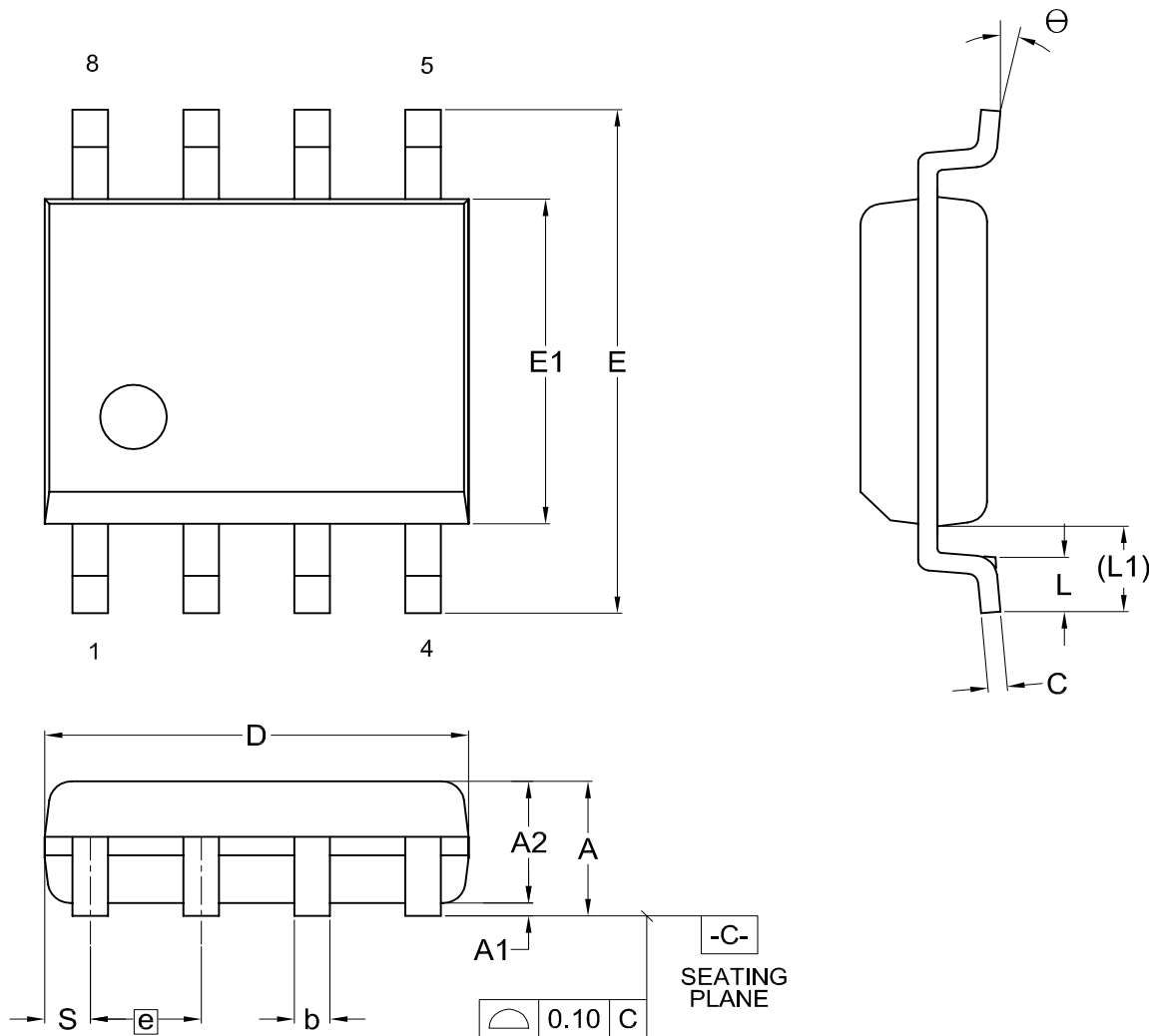


MACRONIX  
INTERNATIONAL Co., LTD.

# MX25L4005A

## PACKAGE INFORMATION

Title: Package Outline for SOP 8L (150MIL)



Dimensions (inch dimensions are derived from the original mm dimensions)

| SYMBOL |      | A     | A1    | A2    | b     | C     | D     | E     | E1    | e     | L     | L1    | S     | $\theta$ |
|--------|------|-------|-------|-------|-------|-------|-------|-------|-------|-------|-------|-------|-------|----------|
| mm     | Min. | ---   | 0.10  | 1.35  | 0.36  | 0.15  | 4.77  | 5.80  | 3.80  |       | 0.46  | 0.85  | 0.41  | 0        |
|        | Nom. | ---   | 0.15  | 1.45  | 0.41  | 0.20  | 4.90  | 5.99  | 3.90  | 1.27  | 0.66  | 1.05  | 0.54  | 5        |
|        | Max. | 1.75  | 0.20  | 1.55  | 0.51  | 0.25  | 5.03  | 6.20  | 4.00  |       | 0.86  | 1.25  | 0.67  | 8        |
| Inch   | Min. | ---   | 0.004 | 0.053 | 0.014 | 0.006 | 0.188 | 0.228 | 0.150 |       | 0.018 | 0.033 | 0.016 | 0        |
|        | Nom. | ---   | 0.006 | 0.057 | 0.016 | 0.008 | 0.193 | 0.236 | 0.154 | 0.050 | 0.026 | 0.041 | 0.021 | 5        |
|        | Max. | 0.069 | 0.008 | 0.061 | 0.020 | 0.010 | 0.198 | 0.244 | 0.158 |       | 0.034 | 0.049 | 0.026 | 8        |

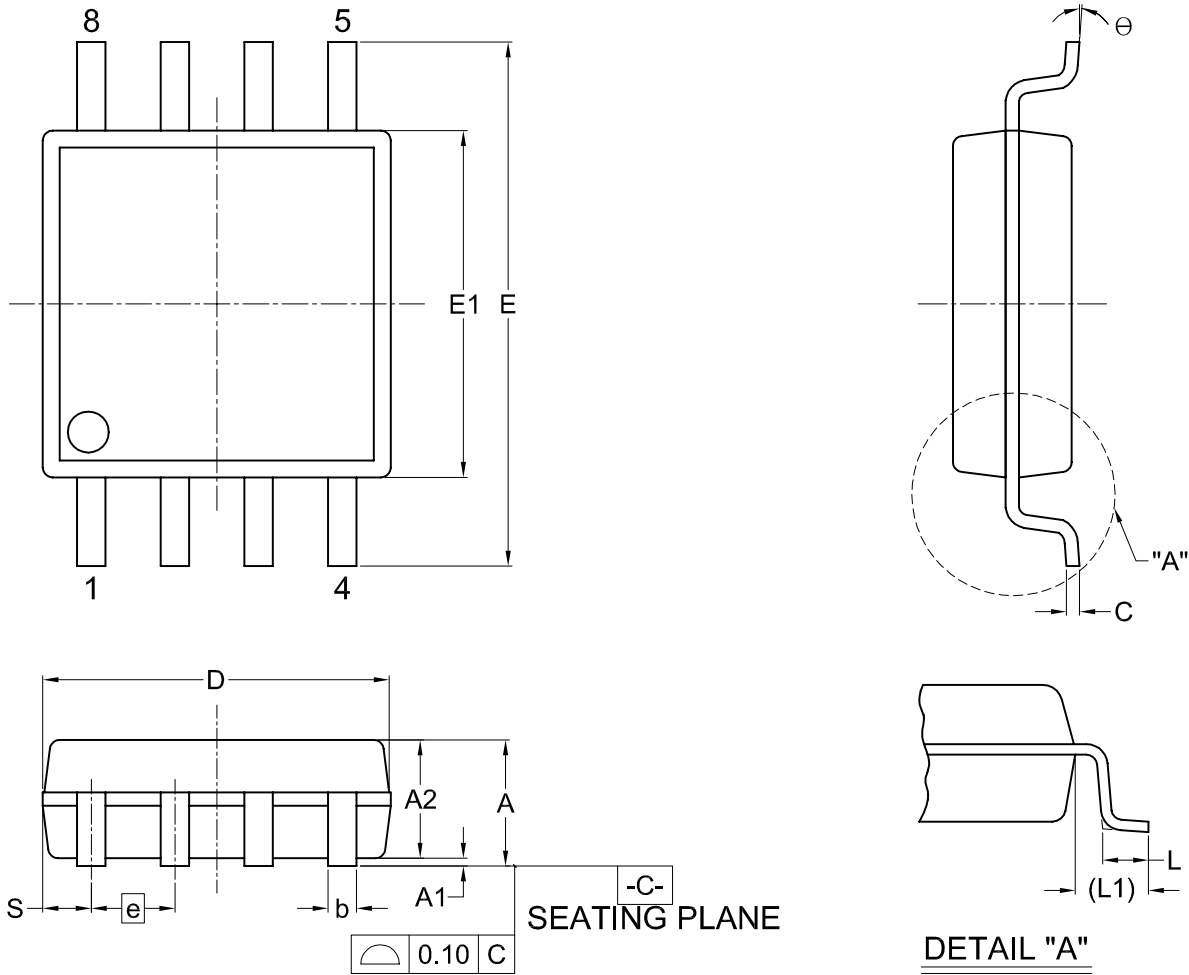
| DWG.NO.   | REVISION | REFERENCE |      |  | ISSUE DATE |
|-----------|----------|-----------|------|--|------------|
|           |          | JEDEC     | EIAJ |  |            |
| 6110-1401 | 6        | MS-012    |      |  | 11-26-'03  |



MACRONIX  
INTERNATIONAL Co., LTD.

# MX25L4005A

Title: Package Outline for SOP 8L 200MIL (official name - 209MIL)

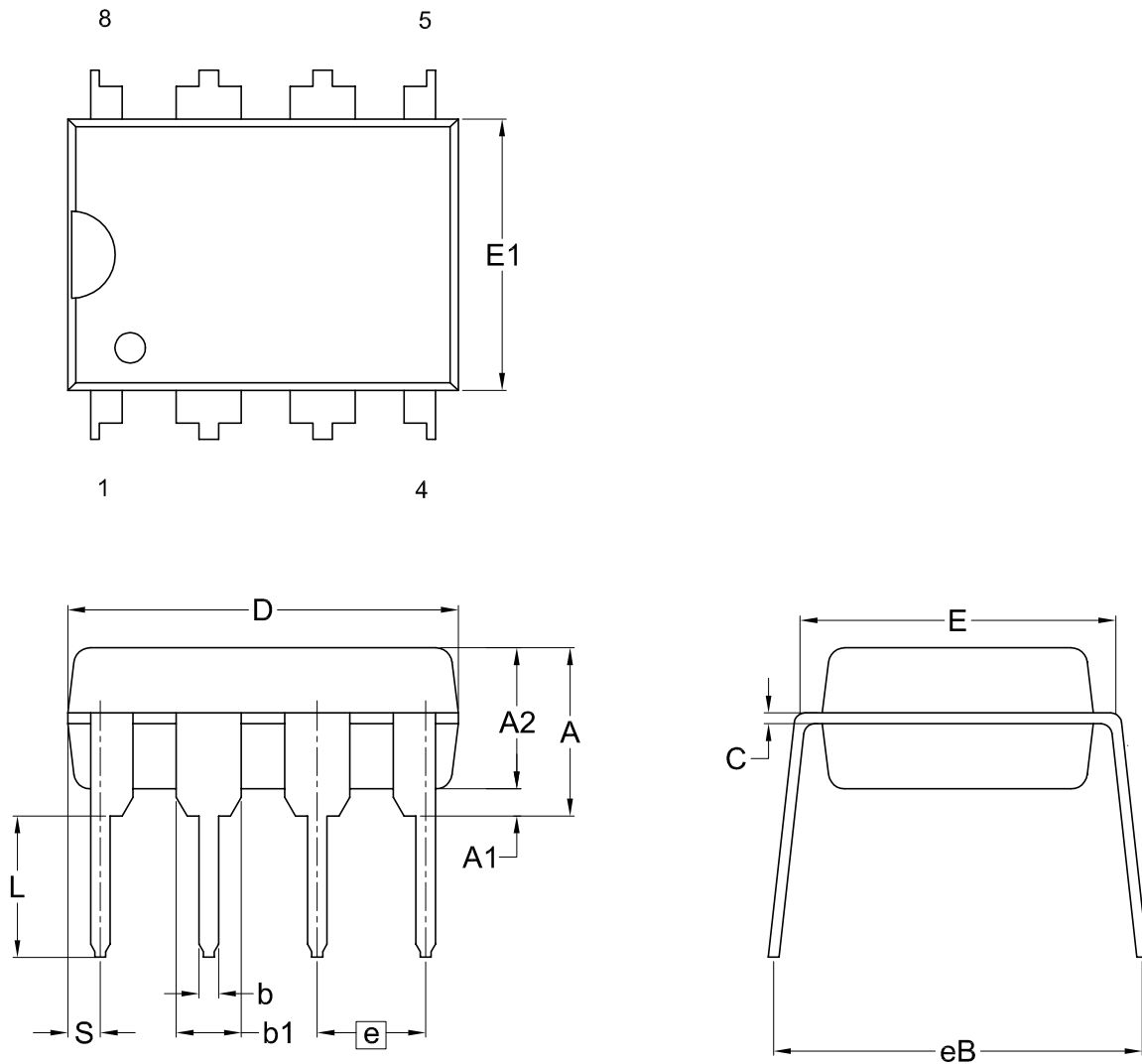


Dimensions (inch dimensions are derived from the original mm dimensions)

| SYMBOL |      | A     | A1    | A2    | b     | C     | D     | E     | E1    | e     | L     | L1    | S     | $\theta$ |
|--------|------|-------|-------|-------|-------|-------|-------|-------|-------|-------|-------|-------|-------|----------|
| UNIT   |      |       |       |       |       |       |       |       |       |       |       |       |       |          |
| mm     | Min. | ---   | 0.05  | 1.70  | 0.36  | 0.19  | 5.13  | 7.70  | 5.18  |       | 0.50  | 1.21  | 0.62  | 0        |
|        | Nom. | ---   | 0.15  | 1.80  | 0.41  | 0.20  | 5.23  | 7.90  | 5.28  | 1.27  | 0.65  | 1.31  | 0.74  | 5        |
|        | Max. | 2.16  | 0.25  | 1.91  | 0.51  | 0.25  | 5.33  | 8.10  | 5.38  |       | 0.80  | 1.41  | 0.88  | 8        |
| Inch   | Min. | ---   | 0.002 | 0.067 | 0.014 | 0.007 | 0.202 | 0.303 | 0.204 |       | 0.020 | 0.048 | 0.024 | 0        |
|        | Nom. | ---   | 0.006 | 0.071 | 0.016 | 0.008 | 0.206 | 0.311 | 0.208 | 0.050 | 0.026 | 0.052 | 0.029 | 5        |
|        | Max. | 0.009 | 0.010 | 0.075 | 0.020 | 0.010 | 0.210 | 0.319 | 0.212 |       | 0.031 | 0.056 | 0.035 | 8        |

| DWG.NO.   | REVISION | REFERENCE |      |  | ISSUE DATE |
|-----------|----------|-----------|------|--|------------|
|           |          | JEDEC     | EIAJ |  |            |
| 6110-1406 | 1        |           |      |  | 05-06-'05  |

**Title: Package Outline for PDIP 8L (300MIL)**

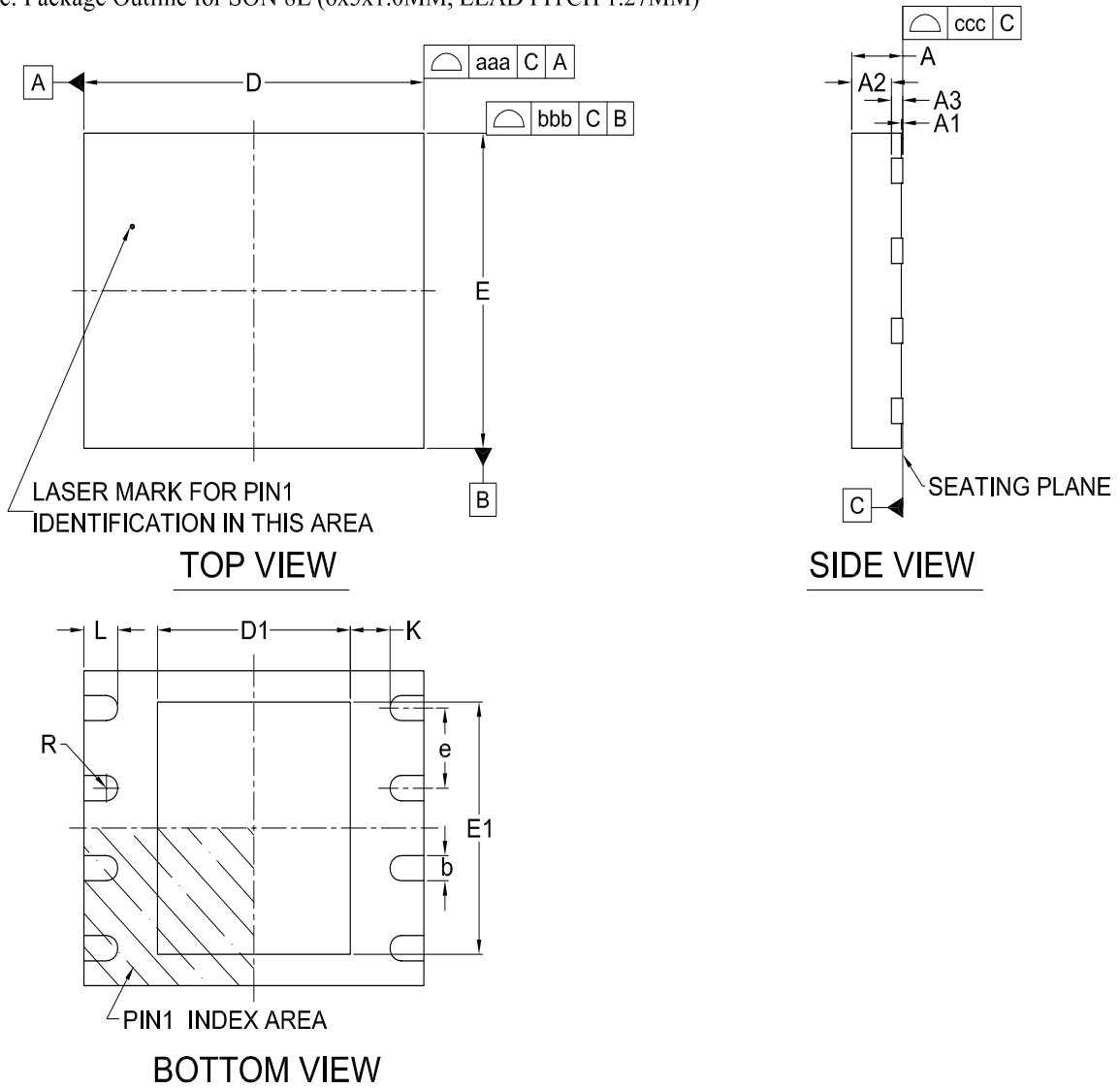


Dimensions (inch dimensions are derived from the original mm dimensions)

| SYMBOL |      | A     | A1    | A2    | b     | b1    | C     | D     | E     | E1    | e     | eB    | L     | S     |
|--------|------|-------|-------|-------|-------|-------|-------|-------|-------|-------|-------|-------|-------|-------|
| mm     | Min. | ---   | 0.38  | 3.18  | 0.36  | 1.14  | 0.20  | 9.02  | 7.62  | 6.22  | ---   | 7.87  | 2.92  | 0.76  |
|        | Nom. | ---   | ---   | 3.30  | 0.46  | 1.52  | 0.25  | 9.27  | 7.87  | 6.35  | 2.54  | 8.89  | 3.30  | 1.14  |
|        | Max. | 5.33  | ---   | 3.43  | 0.56  | 1.78  | 0.36  | 10.16 | 8.13  | 6.48  | ---   | 9.53  | 3.81  | 1.52  |
| Inch   | Min. | ---   | 0.015 | 0.125 | 0.014 | 0.045 | 0.008 | 0.355 | 0.300 | 0.245 | ---   | 0.310 | 0.115 | 0.030 |
|        | Nom. | ---   | ---   | 0.130 | 0.018 | 0.060 | 0.010 | 0.365 | 0.310 | 0.250 | 0.100 | 0.350 | 0.130 | 0.045 |
|        | Max. | 0.210 | ---   | 0.135 | 0.022 | 0.070 | 0.014 | 0.400 | 0.320 | 0.255 | ---   | 0.375 | 0.150 | 0.060 |

| DWG.NO.   | REVISION | REFERENCE |      |  | ISSUE DATE |
|-----------|----------|-----------|------|--|------------|
|           |          | JEDEC     | EIAJ |  |            |
| 6110-0201 | 6        | MS-001    |      |  | 09-01-06   |

Doc. Title: Package Outline for SON 8L (6x5x1.0MM, LEAD PITCH 1.27MM)



Dimensions (inch dimensions are derived from the original mm dimensions)

\*1 : This package has exposed metal pad underneath the package , it can't contact to metal trace or pad on board.

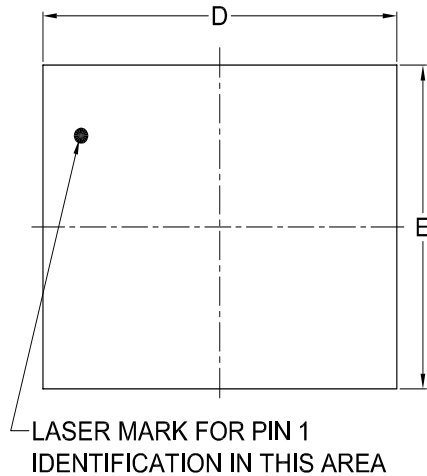
\*2 : The exposed pad size must not violate the min. metal separation requirement, 0.2mm with terminals.

| SYMBOL |      | A     | A1    | A2    | A3    | b     | D     | D1    | E     | E1    | L     | e    | R     | aaa   | bbb   | ccc   |
|--------|------|-------|-------|-------|-------|-------|-------|-------|-------|-------|-------|------|-------|-------|-------|-------|
| UNIT   |      |       |       |       |       |       |       |       |       |       |       |      |       |       |       |       |
| mm     | Min. | ---   | ---   | ---   | ---   | 0.35  | 5.90  | 3.30  | 4.90  | 3.90  | 0.50  | ---  | 0.175 | ---   | ---   | ---   |
|        | Nom. | ---   | ---   | 0.65  | 0.20  | 0.40  | 6.00  | 3.40  | 5.00  | 4.00  | 0.60  | 1.27 | ---   | 0.10  | 0.10  | 0.05  |
|        | Max. | 1.00  | 0.05  | 0.70  | ---   | 0.48  | 6.10  | 3.50  | 5.10  | 4.10  | 0.75  | ---  | ---   | ---   | ---   | ---   |
| Inch   | Min. | ---   | ---   | ---   | ---   | 0.013 | 0.232 | 0.130 | 0.193 | 0.154 | 0.020 | ---  | 0.007 | ---   | ---   | ---   |
|        | Nom. | ---   | ---   | 0.026 | 0.008 | 0.016 | 0.236 | 0.134 | 0.197 | 0.157 | 0.024 | 0.05 | ---   | 0.004 | 0.004 | 0.002 |
|        | Max. | 0.039 | 0.002 | 0.028 | ---   | 0.019 | 0.240 | 0.138 | 0.201 | 0.161 | 0.030 | ---  | ---   | ---   | ---   | ---   |

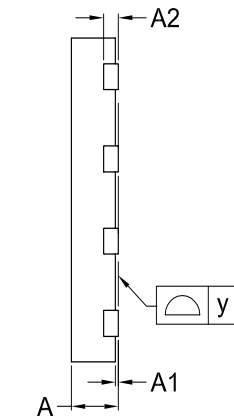
| Dwg. No.  | Revision | Reference |      |  |  |
|-----------|----------|-----------|------|--|--|
|           |          | JEDEC     | EIAJ |  |  |
| 6110-3302 | 7        | MO-220    |      |  |  |



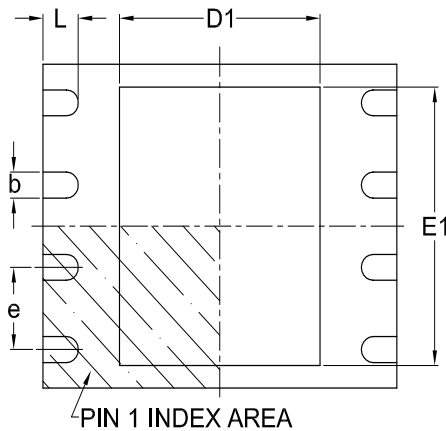
**Title: Package Outline for WSON 8L (6x5x0.8MM, LEAD PITCH 1.27MM)**



**TOP VIEW**



**SIDE VIEW**



**BOTTOM VIEW**

Dimensions (inch dimensions are derived from the original mm dimensions)

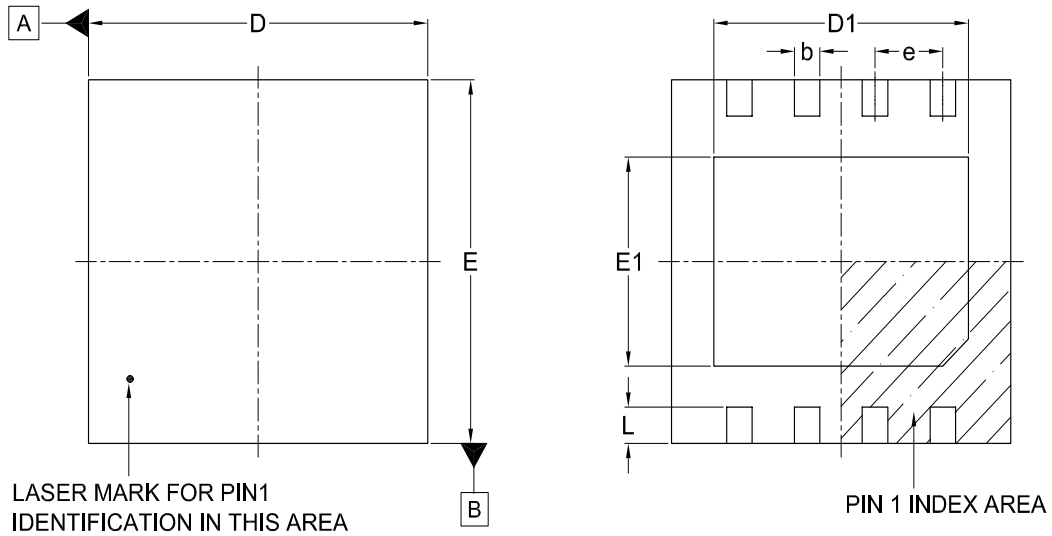
\*1 : This package has exposed metal pad underneath the package , it can't contact to metal trace or pad on board.

\*2 : The exposed pad size must not violate the min. metal separation requirement, 0.2mm with terminals.

| SYMBOL |      | A     | A1    | A2    | b     | D     | D1    | E     | E1    | L     | e    | y     |
|--------|------|-------|-------|-------|-------|-------|-------|-------|-------|-------|------|-------|
| UNIT   |      |       |       |       |       |       |       |       |       |       |      |       |
| mm     | Min. | 0.70  | ---   | ---   | 0.35  | 5.90  | 3.30  | 4.90  | 3.90  | 0.50  | —    | 0.00  |
|        | Nom. | ---   | ---   | 0.20  | 0.40  | 6.00  | 3.40  | 5.00  | 4.00  | 0.60  | 1.27 | ---   |
|        | Max. | 0.80  | 0.05  | ---   | 0.48  | 6.10  | 3.50  | 5.10  | 4.10  | 0.75  | ---  | 0.08  |
| Inch   | Min. | 0.028 | ---   | ---   | 0.014 | 0.232 | 0.129 | 0.193 | 0.154 | 0.020 | —    | 0.00  |
|        | Nom. | ---   | ---   | 0.008 | 0.016 | 0.236 | 0.134 | 0.197 | 0.157 | 0.024 | 0.05 | —     |
|        | Max. | 0.032 | 0.002 | ---   | 0.019 | 0.240 | 0.138 | 0.201 | 0.161 | 0.030 | —    | 0.003 |

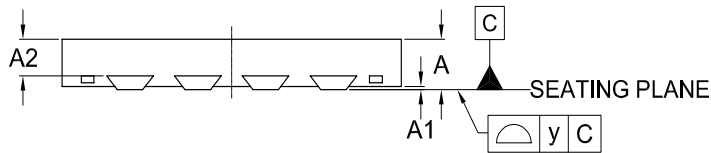
| DWG.NO.   | REVISION | REFERENCE |      |  | ISSUE DATE |
|-----------|----------|-----------|------|--|------------|
|           |          | JEDEC     | EIAJ |  |            |
| 6110-3401 | 4        | MO-220    |      |  | 2007/09/20 |

Title: Package Outline for USON 8L (4x4x0.6MM, LEAD PITCH 0.8MM)



TOP VIEW

BOTTOM VIEW



SIDE VIEW

Dimensions (inch dimensions are derived from the original mm dimensions)

\*1 : This package has exposed metal pad underneath the package , it can't contact to metal trace or pad on board.

\*2 : The exposed pad size must not violate the min. metal separation requirement, 0.2mm with terminals.

| SYMBOL |      | A     | A1    | A2    | b     | D     | D1    | E     | E1    | L     | e     | y     |
|--------|------|-------|-------|-------|-------|-------|-------|-------|-------|-------|-------|-------|
| UNIT   |      |       |       |       |       |       |       |       |       |       |       |       |
| mm     | Min. | 0.50  | ---   | ---   | 0.25  | 3.90  | 2.90  | 3.90  | 2.20  | 0.35  | ---   | 0.00  |
|        | Nom. | 0.55  | 0.04  | 0.40  | 0.30  | 4.00  | 3.00  | 4.00  | 2.30  | 0.40  | 0.80  | ---   |
|        | Max. | 0.60  | 0.05  | 0.43  | 0.35  | 4.10  | 3.10  | 4.10  | 2.40  | 0.45  | ---   | 0.08  |
| Inch   | Min. | 0.020 | ---   | ---   | 0.010 | 0.154 | 0.114 | 0.154 | 0.087 | 0.014 | ---   | 0.00  |
|        | Nom. | 0.022 | 0.002 | 0.016 | 0.011 | 0.157 | 0.118 | 0.157 | 0.091 | 0.016 | 0.031 | ---   |
|        | Max. | 0.024 | 0.002 | 0.017 | 0.014 | 0.161 | 0.122 | 0.161 | 0.094 | 0.018 | ---   | 0.003 |

| DWG.NO.   | REVISION | REFERENCE |      |  | ISSUE DATE |
|-----------|----------|-----------|------|--|------------|
|           |          | JEDEC     | EIAJ |  |            |
| 6110-3601 | 3        | MO-252    |      |  | 2008/03/12 |



**REVISION HISTORY**

| <b>Revision No.</b> | <b>Description</b>  | <b>Page</b>   | <b>Date</b> |
|---------------------|---|---------------|-------------|
| 1.1                 | 1. Modified read current:6mA@85MHz/4mA@66MHz/2mA@33MHz<br>--> 12mA@85MHz/8mA@66MHz/4mA@33MHz  | P1,20,35      | SEP/29/2005 |
|                     | 2. Modified tSE:90ms(typ)/270ms(max)-->60ms(typ)/120ms(max);<br>tBE:3s(max)-->2s(max); tCE:4.5s(typ)/10s(max)-->3.5s(typ)/7.5s(max) | P1,21,34      |             |
|                     | 3. Modified operating current max. from 2mA to 12mA   | P33           |             |
|                     | 4. Added description about Pb-free device is RoHS compliant   | P1            |             |
|                     | 5. Standby current is reduced from 25uA(max) to 10uA(max)   | P1,2,20,35    |             |
|                     | 6. Deep Power-down current from 5uA to 10uA   | P20           |             |
| 1.2                 | 1. Format change  | All           | JUN/08/2006 |
|                     | 2. Supplemented the footnote for tW of protect/unprotect bits   | P11           |             |
| 1.3                 | 1. Added 8-pin PDIP package option  | P1,2,35,36,39 | SEP/06/2006 |
| 1.4                 | 1. Added statement  | P42           | NOV/06/2006 |
| 1.5                 | 1. Defined min. clock frequency of fSCLK & fRSCLK as 1KHz   | P21           | NOV/30/2006 |
| 1.51                | 1. Added 8-WSON package option  | P2,35,36,41   | SEP/20/2007 |
|                     | 2. Removed non Pb-free part number  | P35           |             |
| 1.6                 | 1. Added 8-land USON package option   | P2,35,36,42   | JAN/14/2008 |
|                     | 2. Revised Page Program Statements  | P14           |             |
| 1.7                 | 1. Added wording "SON package is not recommended for new design"  | P2,35,36      | APR/18/2008 |
| 1.8                 | 1. Modified 8-SON package outline   | P40           | JUL/17/2008 |



MACRONIX  
INTERNATIONAL Co., LTD.

**MX25L4005A**

---

Macronix's products are not designed, manufactured, or intended for use for any high risk applications in which the failure of a single component could cause death, personal injury, severe physical damage, or other substantial harm to persons or property, such as life-support systems, high temperature automotive, medical, aircraft and military application. Macronix and its suppliers will not be liable to you and/or any third party for any claims, injuries or damages that may be incurred due to use of Macronix's products in the prohibited applications.

---

## MACRONIX INTERNATIONAL Co., LTD.

### Headquarters

Macronix, Int'l Co., Ltd.  
16, Li-Hsin Road, Science Park,  
Hsinchu, Taiwan, R.O.C.  
Tel: +886-3-5786688  
Fax: +886-3-5632888

### Macronix America, Inc.

680 North McCarthy Blvd.  
Milpitas, CA 95035, U.S.A.  
Tel: +1-408-262-8887  
Fax: +1-408-262-8810  
Email: sales.northamerica@macronix.com

### Macronix Japan Cayman Islands Ltd.

NKF Bldg. 5F, 1-2 Higashida-cho,  
Kawasaki-ku Kawasaki-shi,  
Kanagawa Pref. 210-0005, Japan  
Tel: +81-44-246-9100  
Fax: +81-44-246-9105

### Macronix (Hong Kong) Co., Limited.

702-703, 7/F, Building 9,  
Hong Kong Science Park,  
5 Science Park West Avenue, Sha Tin, N.T.  
Tel: +86-852-2607-4289  
Fax: +86-852-2607-4229

### Taipei Office

Macronix, Int'l Co., Ltd.  
19F, 4, Min-Chuan E. Road, Sec. 3,  
Taipei, Taiwan, R.O.C.  
Tel: +886-2-2509-3300  
Fax: +886-2-2509-2200

### Macronix Europe N.V.

Koningin Astridlaan 59, Bus 1  
1780 Wemmel Belgium  
Tel: +32-2-456-8020  
Fax: +32-2-456-8021

### Singapore Office

Macronix Pte. Ltd.  
1 Marine Parade Central  
#11-03 Parkway Centre  
Singapore 449408  
Tel: +65-6346-5505  
Fax: +65-6348-8096

[http : //www.macronix.com](http://www.macronix.com)