

Inchange Semiconductor

Product Specification

Silicon NPN Power Transistors

2SC2934

DESCRIPTION

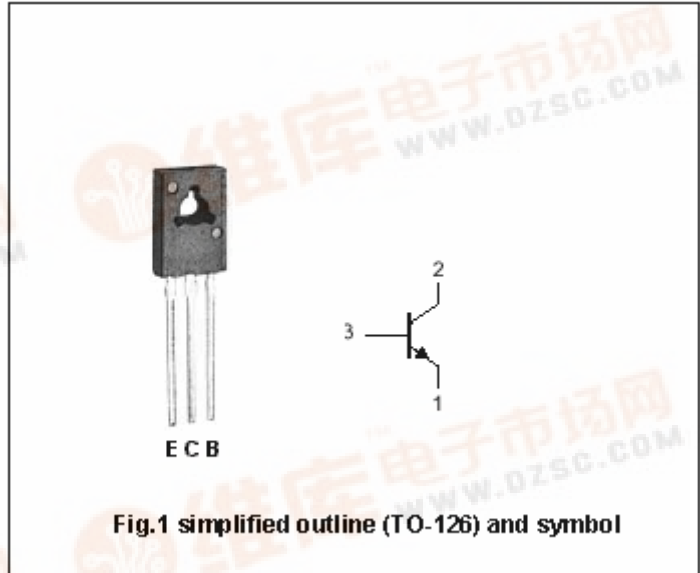
- With TO-126 package
- High V_{CE0}
- Low C_{OB}

APPLICATIONS

- For TV video output amplification

PINNING (see Fig.2)

PIN	DESCRIPTION
1	Emitter
2	Collector
3	Base



Absolute maximum ratings (Ta=25°C)

SYMBOL	PARAMETER	CONDITIONS	VALUE	UNIT
V_{CBO}	Collector-base voltage	Open emitter	300	V
V_{CEO}	Collector-emitter voltage	Open base	300	V
V_{EBO}	Emitter-base voltage	Open collector	7	V
I_C	Collector current		0.2	A
P_C	Collector power dissipation	$T_C=25^\circ\text{C}$	12.5	W
T_j	Junction temperature		150	$^\circ\text{C}$
T_{stg}	Storage temperature		-55~150	$^\circ\text{C}$

Silicon NPN Power Transistors

2SC2934

CHARACTERISTICS

T_j=25°C unless otherwise specified

SYMBOL	PARAMETER	CONDITIONS	MIN	TYP.	MAX	UNIT
V _{CEsat}	Collector-emitter saturation voltage	I _C =50mA ; I _B =5m A			1.5	V
V _{(BR)CBO}	Collector-base breakdown voltage	I _C =10 μ A; I _E =0	300			V
V _{(BR)CEO}	Collector-emitter breakdown voltage	I _C =100 μ A; I _B =0	300			V
V _{(BR)EBO}	Emitter-base breakdown voltage	I _E =10 μ A; I _C =0	7			V
I _{CBO}	Collector cut-off current	V _{CB} =200V; I _E =0			0.1	μ A
I _{EBO}	Emitter cut-off current	V _{EB} =5V; I _C =0			0.1	μ A
h _{FE}	DC current gain	I _C =50mA ; V _{CE} =10V	50		300	
f _T	Transition frequency	I _C =20mA ; V _{CE} =20V		80		MHz

Silicon NPN Power Transistors

2SC2934

PACKAGE OUTLINE

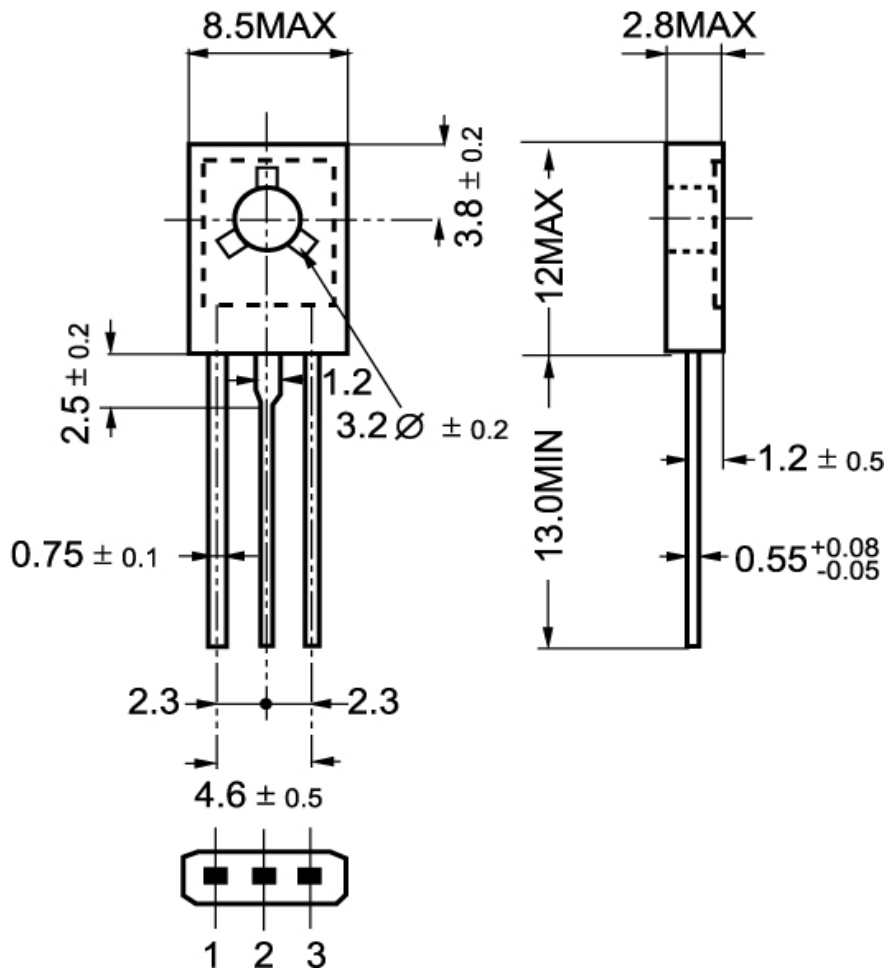


Fig.2 outline dimensions