

Inchange Semiconductor

Product Specification

Silicon NPN Power Transistors

2SC4916

DESCRIPTION

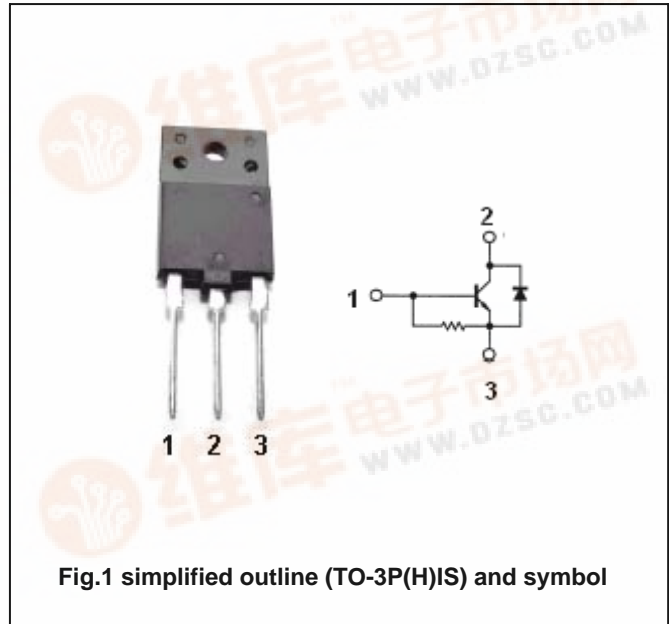
- With TO-3P(H)IS package
- High speed ;high speed
- Low saturation voltage
- Bult-in damper diode

APPLICATIONS

- Horizontal deflection output for high resolution display,colorTV
- High speed switching applications

PINNING

PIN	DESCRIPTION
1	Base
2	Collector
3	Emitter



Absolute maximum ratings(Ta=25°C)

SYMBOL	PARAMETER	CONDITIONS	VALUE	UNIT
V _{CBO}	Collector-base voltage	Open emitter	1500	V
V _{CEO}	Collector-emitter voltage	Open base	600	V
V _{EBO}	Emitter-base voltage	Open collector	5	V
I _C	Collector current		7	A
I _{CM}	Collector current-Peak		14	A
I _B	Base current		3.5	A
P _C	Collector power dissipation	T _C =25°C	50	W
T _j	Junction temperature		150	°C
T _{stg}	Storage temperature		-55~150	°C

Silicon NPN Power Transistors

2SC4916

CHARACTERISTICS

T_j=25°C unless otherwise specified

SYMBOL	PARAMETER	CONDITIONS	MIN	TYP.	MAX	UNIT
V _{(BR)EBO}	Emitter-base breakdown voltage	I _E =300mA ; I _C =0	5			V
V _{CEsat}	Collector-emitter saturation voltage	I _C =5A; I _B =1A			5	V
V _{BEsat}	Base-emitter saturation voltage	I _C =5A; I _B =1A			1.5	V
I _{CBO}	Collector cut-off current	V _{CB} =1500V; I _E =0			1	mA
I _{EBO}	Emitter cut-off current	V _{EB} =5V; I _C =0	83		250	mA
h _{FE-1}	DC current gain	I _C =1A ; V _{CE} =5V	8		20	
h _{FE-2}	DC current gain	I _C =5A ; V _{CE} =5V	3.8		8	
C _{ob}	Collector output capacitance	I _E =0 ; V _{CB} =10V, f=1MHz		160		pF
V _F	Diode forward voltage	I _F =5A		1.3	1.8	V
f _T	Transition frequency	I _E =0.1A ; V _{CE} =10V	1	3		MHz

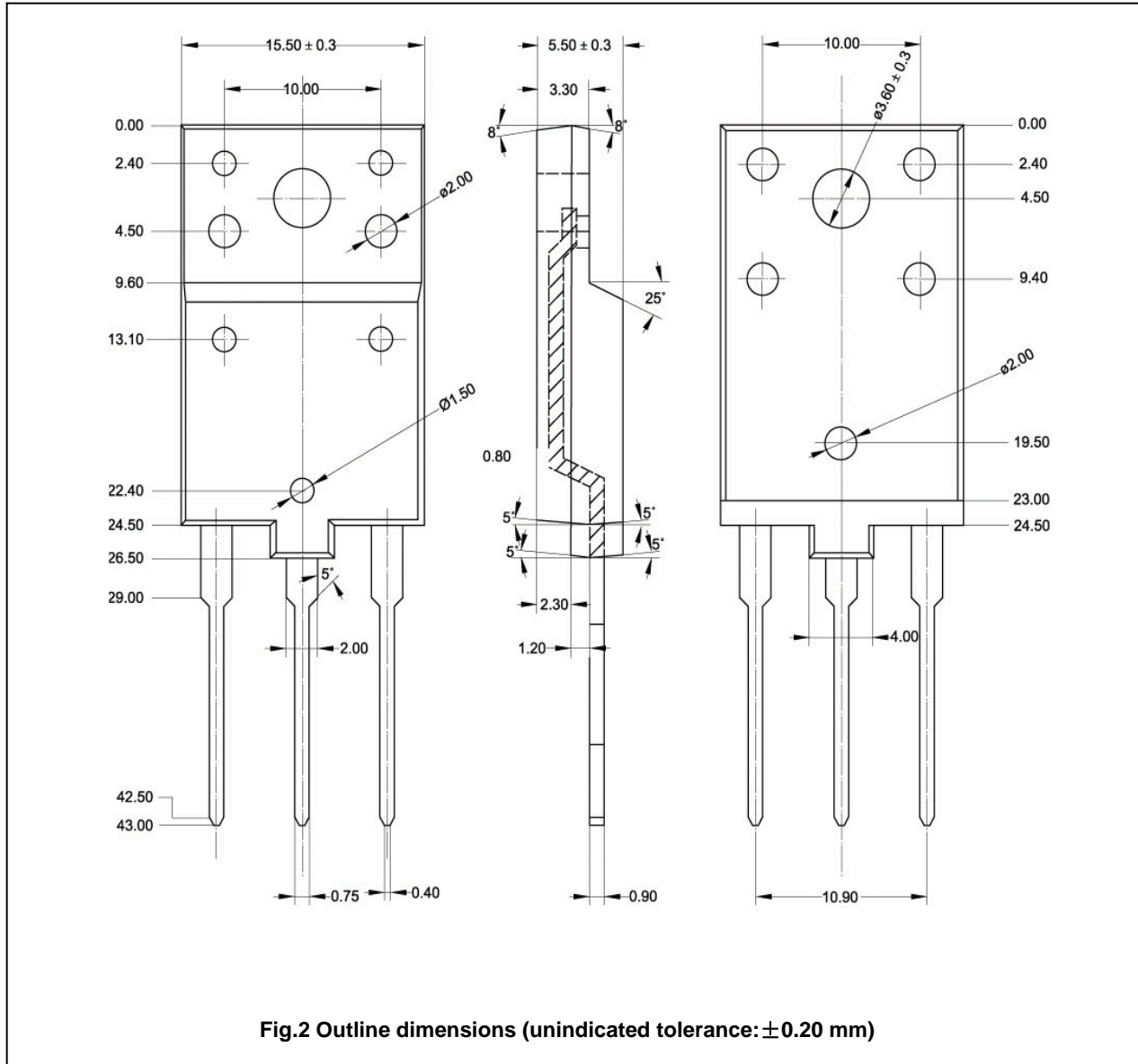
Switching times resistive load

t _s	Storage time	I _{CP} =5A; I _{B1} =1A I _{B2} =-2A; R _L =39 Ω		2.0	3.0	μ s
t _f	Fall time			0.1	0.2	μ s

Silicon NPN Power Transistors

2SC4916

PACKAGE OUTLINE



Silicon NPN Power Transistors

2SC4916

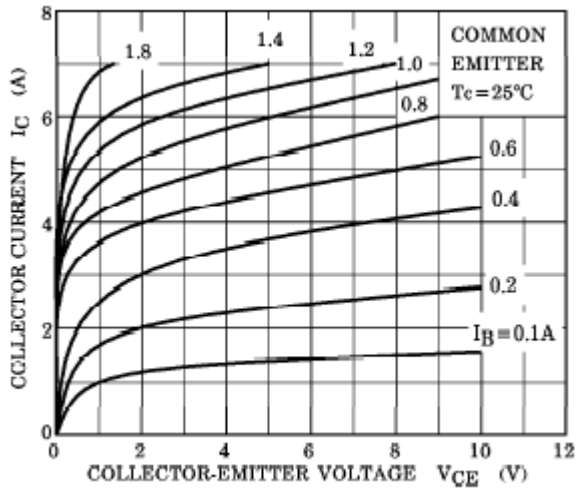


Fig.3 Static Characteristic

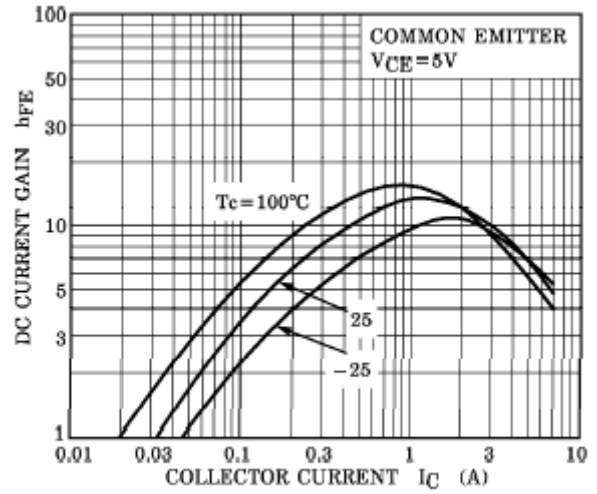


Fig.4 DC current Gain

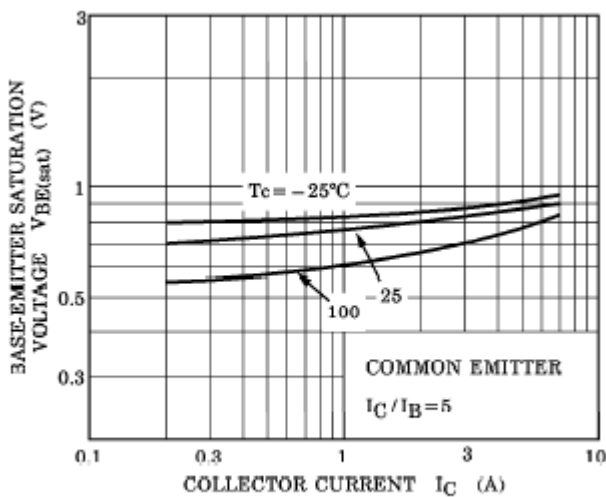


Fig.5 Base-Emitter Saturation Voltage

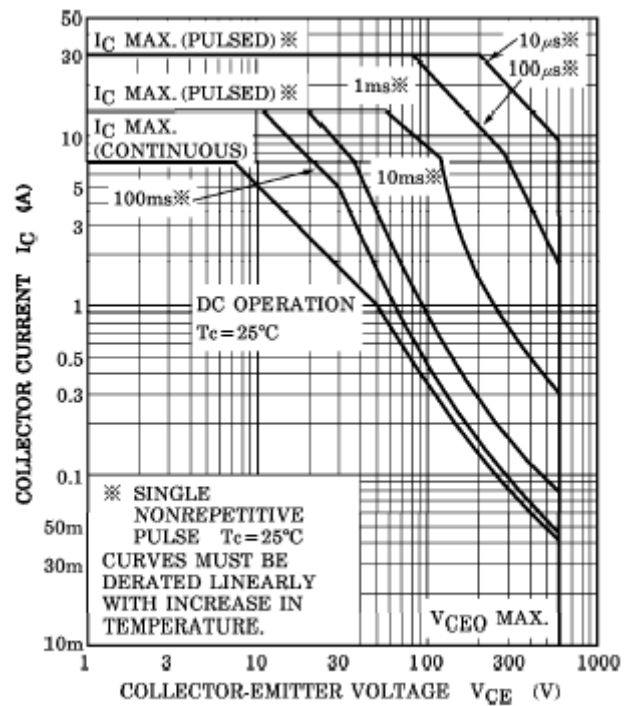


Fig.6 Safe Operating Area