

**Inchange Semiconductor**

**Product Specification**

**Silicon NPN Power Transistors**

**2SD1236L**

**DESCRIPTION**

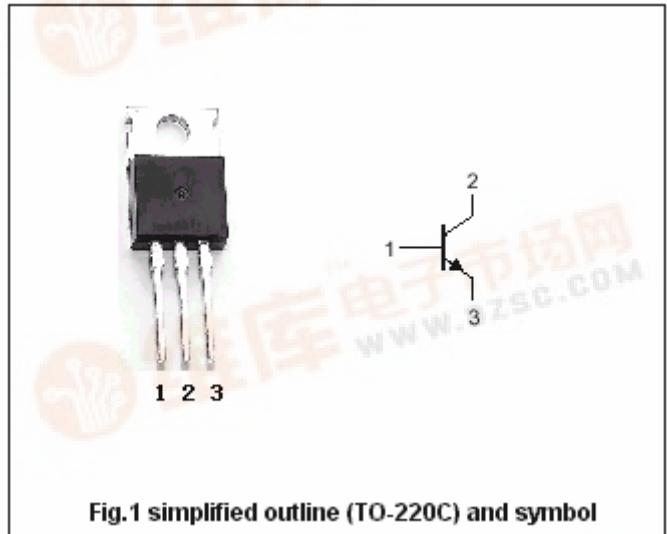
- With TO-220C package
- Complement to type 2SB920L
- Low collector saturation voltage
- Large current capacity.

**APPLICATIONS**

- Relay drivers,high speed inverters, converters,and other general high-current switching applications

**PINNING**

PIN	DESCRIPTION
1	Base
2	Collector;connected to mounting base
3	Emitter



**Absolute maximum ratings(Ta=25°C)**

SYMBOL	PARAMETER	CONDITIONS	VALUE	UNIT
V <sub>CBO</sub>	Collector-base voltage	Open emitter	90	V
V <sub>CEO</sub>	Collector-emitter voltage	Open base	80	V
V <sub>EBO</sub>	Emitter-base voltage	Open collector	6	V
I <sub>C</sub>	Collector current (DC)		5	A
I <sub>CM</sub>	Collector current-peak		9	A
P <sub>C</sub>	Collector dissipation	T <sub>C</sub> =25°C	30	W
			1.75	
T <sub>j</sub>	Junction temperature		150	°C
T <sub>stg</sub>	Storage temperature		-55~150	°C

## Silicon NPN Power Transistors

## 2SD1236L

## CHARACTERISTICS

T<sub>j</sub>=25°C unless otherwise specified

SYMBOL	PARAMETER	CONDITIONS	MIN	TYP.	MAX	UNIT
V <sub>(BR)CEO</sub>	Collector-emitter breakdown voltage	I <sub>C</sub> =1mA ; R <sub>BE</sub> =∞	80			V
V <sub>(BR)CBO</sub>	Collector-base breakdown voltage	I <sub>C</sub> =1mA ; I <sub>E</sub> =0	90			V
V <sub>(BR)EBO</sub>	Emitter-base breakdown voltage	I <sub>E</sub> =1mA ; I <sub>C</sub> =0	6			V
V <sub>CEsat</sub>	Collector-emitter saturation voltage	I <sub>C</sub> =3A ; I <sub>B</sub> =0.3A			0.4	V
I <sub>CBO</sub>	Collector cut-off current	V <sub>CB</sub> =80V ; I <sub>E</sub> =0			100	μ A
I <sub>EBO</sub>	Emitter cut-off current	V <sub>EB</sub> =4V ; I <sub>C</sub> =0			100	μ A
h <sub>FE-1</sub>	DC current gain	I <sub>C</sub> =1A ; V <sub>CE</sub> =2V	70		280	
h <sub>FE-2</sub>	DC current gain	I <sub>C</sub> =3A ; V <sub>CE</sub> =2V	30			
f <sub>T</sub>	Transition frequency	I <sub>C</sub> =1A ; V <sub>CE</sub> =5V		20		MHz

## Switching times

t <sub>on</sub>	Turn-on time	I <sub>C</sub> =10I <sub>B1</sub> =-10I <sub>B2</sub> =2A V <sub>CC</sub> =50V, R <sub>L</sub> =25 Ω		0.1		μ s
t <sub>s</sub>	Storage time			1.2		μ s
t <sub>f</sub>	Fall time			0.4		μ s

◆ h<sub>FE-1</sub> Classifications

Q	R	S
70-140	100-200	140-280

Silicon NPN Power Transistors

2SD1236L

PACKAGE OUTLINE

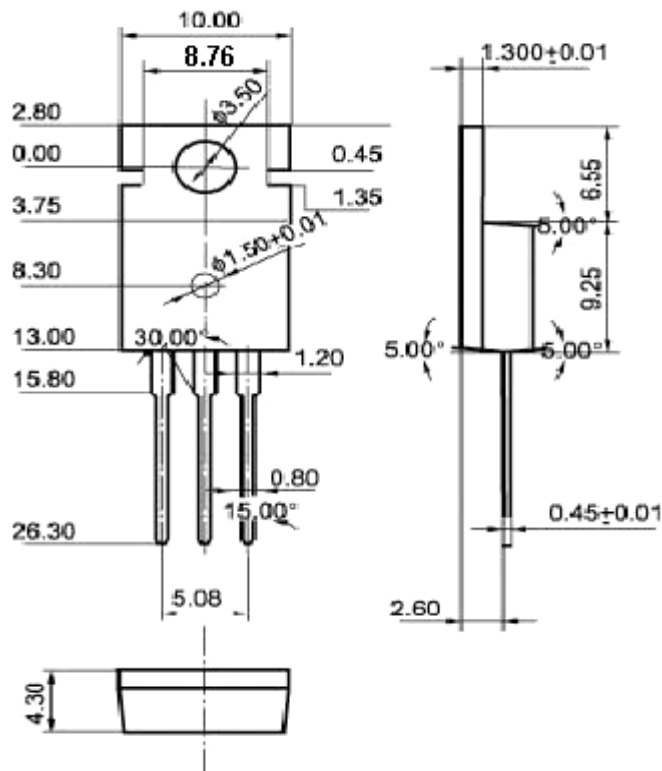


Fig.2 Outline dimensions (unindicated tolerance:  $\pm 0.10\text{mm}$ )

Silicon NPN Power Transistors

2SD1236L

