



查询ATX-450PN供应商
Sparkle Power Inc.

A Leading Power Supply Manufacturer
Web site: www.sparklepower.com

捷多邦, 专业PCB打样工厂, 24小时加急出货

ATX-450PN (RoHS Compliant)

450 Watts ATX12V 2.2 Switching Power Supply

Features

- Complied with ATX12V standard
- High efficiency and reliability, low noise and ripple
- Compatible with European Union Directive 2002/95/EC (Restriction on Hazardous Substances).
- Remote ON/OFF function
- Internal 12V DC fan included
- Noise Killer (thermal fan speed control function)
- Output over voltage, short circuit, and over current protection
- 100% Hi-pot, ATE, and burn-in tested
- Re-settable power shut down
- Complies with FCC part 15 subpart J class B 115Vac operation, and CISPR 22 class B at 230Vac operation
- Approved by UL60950, CSA C22.2 NO. 60950, TUV EN60950 or VDE EN60950, NEMKO EN60950 (CB Report)

Input Characteristics

Input Range: ±10% of 115Vrms/57~63Hz or 230Vrms/47~53Hz, Manual Selection

Input Current: 10A (RMS) @115Vac, 5A (RMS) @230Vac

Inrush Current: No Damage

Output Characteristics

Output Voltage	Minimum Load	Normal Load	Maximum Load	Load Reg.	Line Reg.	Ripple & Noise
+3.3V	0.5A	10.0A	22.0A	± 5%	± 1%	50mV P-P
+5V	0.3A	8.0A	15.0A	± 5%	± 1%	50mV P-P
+12V1	1.0A	7.0A	18.0A	± 5%	± 1%	120mV P-P
+12V2	1.0A	8.5A	18.0A	± 5%	± 1%	120mV P-P
-12V	0.0A	0.1A	0.3A	± 10%	± 2%	120mV P-P
+5Vsb	0.0A	1.0A	2.5A	± 5%	± 1%	50mV P-P

*+3.3V and +5V total output not exceed 145W

*+12V1 and +12V2 total output not exceed 360W

*+3.3V & +5V & +12V1 & +12V2 total output not exceed 433W

* Total output for this subject power supply is 450W



Specification

- **Temperature Range:** Operating: 0°C ~ +50°C, Full load at 25°C, De-rate 2W/°C from 25°C to 50°C;
- **Storage & shipping:** -20°C ~ +65°C
- **Humidity:** 5 ~ 95% on operating and storage
- **Dielectric Withstand:** Primary frame ground 1800V AC for 1 second
- **Efficiency:** 70% minimum measured at normal AC mains voltage and frequency with full load
- **Rise time:** Less than 20ms
- **Hold-up Time:** 12ms minimum at nominal input voltage
- **Power Good Signal:** Power on delay time 100 ~ 500ms, off delay 1ms minimum (TTL and CMOS compatible)
- **Leakage Current:** Less than 3.5mA at 115VAC/60Hz
- **MTBF:** 100,000 hours on maximum load at +25°C
- **Dimensions (LxWxH):** 140x150x86mm/5.5x5.9x3.4inch

Sparkle Power Inc.
Main Office

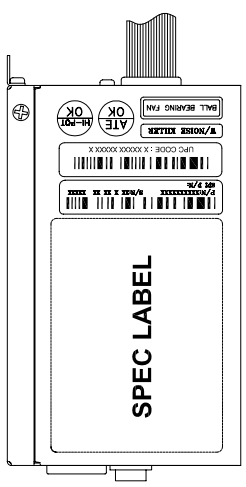
1000 Rock Avenue
San Jose, CA 95131
TEL: 408-519-8888
FAX: 408-519-9999
E-MAIL: info@sparklepower.com

Sparkle Power Inc.
Los Angeles Office

17071 Green Drive
City of Industry, CA 91745
TEL: 626-839-7180
FAX: 626-839-3395



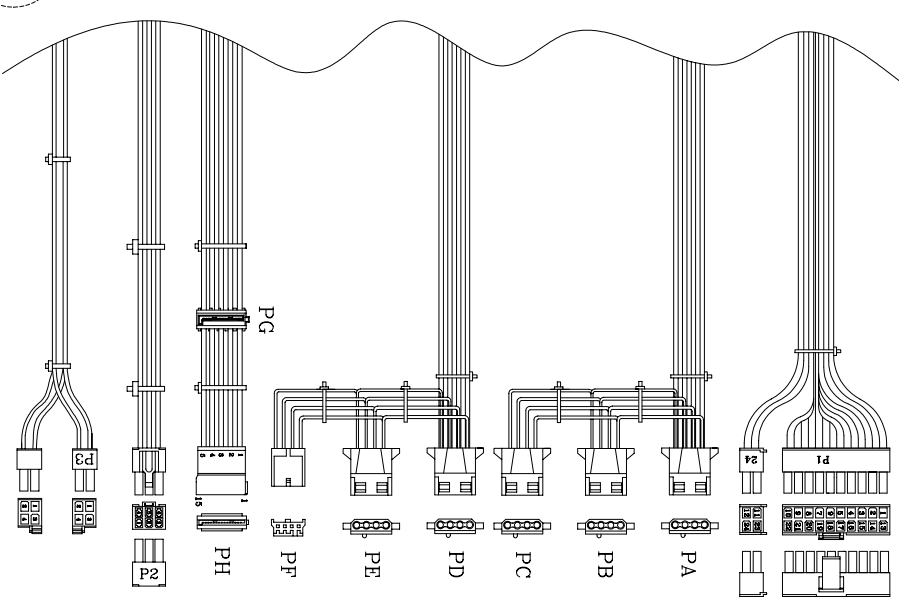
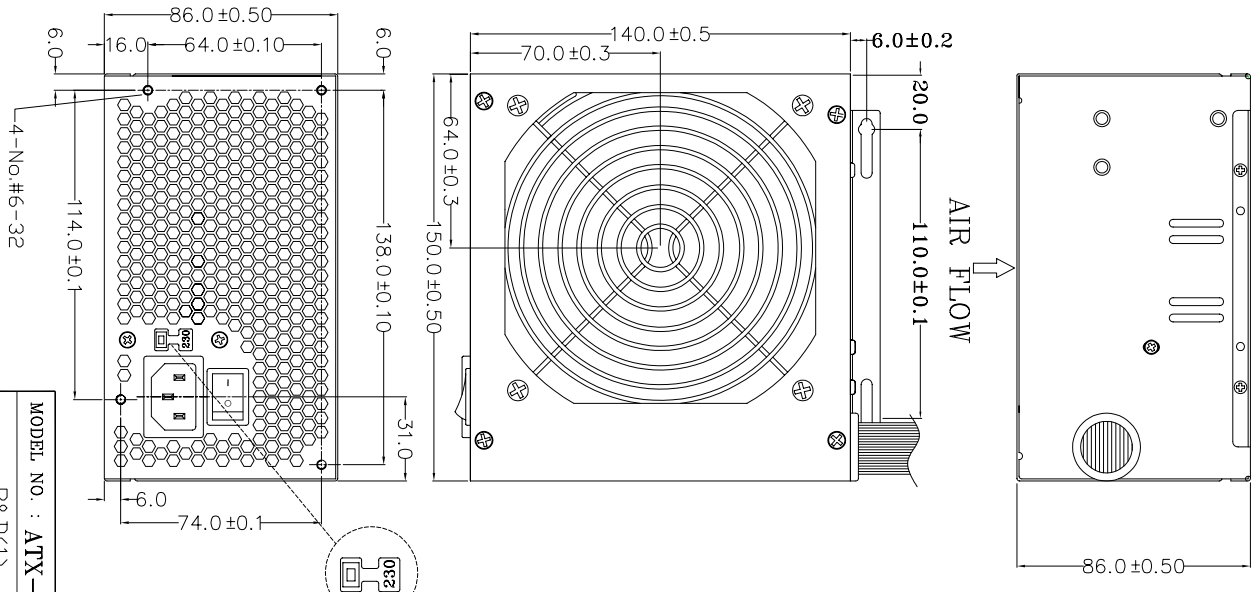
REF. ID. NO.	WIRE PIN#	SIGNAL	COLOR	GAUGE	CONNECTION	LENGTH
P1	1	+3.3VDC	ORANGE	18	Common-amp	500+30mm
	2	+5VDC	ORANGE	18	Common-amp	500+30mm
	3	COM	BLACK	18	or BQV.	-10
	4	+5VDC	RED	18		
	5	COM	BLACK	18		
	6	+5VDC	RED	18		
	7	COM	BLACK	18		
	8	PW-OK	GRAY	24		
	9	+5VDC	PURPLE	18		
	10	+12V1	YELLOW	18		
P1/24	11	+12V1	YELLOW	18		
	12	+3.3VDC	ORANGE	18		
	13	+5VDC	ORANGE	18		
	14	+5VDC	BROWN	20		
	15	+5VDC	BLACK	24		
	16	PS-ON	GREEN	24		
	17	COM	BLACK	18		
	18	COM	BLACK	18		
	19	COM	BLACK	18		
	20	COM	BLACK	18		
PA	21	+5VDC	RED	18		
	22	+5VDC	RED	18		
	23	+5VDC	RED	18		
	24	+5VDC	BLACK	18		
	1	+12V1	YELLOW	18	AMP	1-480/424-0-130+30mm
	2	COM	BLACK	18	or BQV.	-10
	3	COM	BLACK	18		
	4	+5V	RED	18		
	5	+12V1	YELLOW	18		
	6	+5V	RED	18		
PB	1	+12V1	YELLOW	18	AMP	1-480/424-0-150±10mm
	2	COM	BLACK	18	or BQV.	
	3	COM	BLACK	18		
	4	+12V1	YELLOW	18		
	5	+5V	RED	18		
	6	+12V1	YELLOW	22	AMP	150±10mm
	7	COM	BLACK	22	or BQV.	
	8	+5V	RED	22		
	9	+12V1	YELLOW	18		
	10	+5V	RED	18		
PG	1	+12V1	YELLOW	18	WST	500+30mm
	2	COM	BLACK	18		
	3	+5V	RED	18	PS-112702700	-10
	4	COM	BLACK	18		
	5	+3.3VDC	ORANGE	18		
	1	+12V1	YELLOW	18	15PIN	200±10mm
	2	COM	BLACK	18		
	3	COM	BLACK	18	SRREL, ATA	
	4	COM	ORANGE	18		
	5	+3.3VDC	ORANGE	18		
PH	1	+12V1	YELLOW	18	C4202H00	500+30mm
	2	+12V1	YELLOW	18	-2*3PA	-10
	3	+12V1	YELLOW	18	-RP	
	4	COM	BLACK	18	or BQV.	
	5	COM	BLACK	18		
	6	COM	BLACK	18		
	7	COM	BLACK	18		
	8	COM	BLACK	18		
	9	COM	BLACK	18		
	10	COM	BLACK	18		
P3	1	COM	BLACK	18	WST	500+30mm
	2	COM	BLACK	18		
	3	+12V2	YEL./BLK	18	P4-142002K3G	500+30mm
	4	+12V2	YEL./BLK	18	or BQV.	-10
	5	COM	BLACK	18		
	6	COM	BLACK	18		
	7	COM	BLACK	18		
	8	COM	BLACK	18		
	9	COM	BLACK	18		
	10	+12V2	YEL./BLK	18		



NOTE:

1. ALL THE LENGTH OF OUTPUT WIRES EXCLUDE HOUSING.
2. 產地標籤依業務指示加貼.

UNIT:mm



P/N.:9PX450010
SPI P/N.:ATX-450PN-B20

MODEL NO. : ATX-450PN(S03001)	TITLE: ASSY	SHEET: 1 OF 1 REV:
R&D(1)	PE	DATE
	DRAWN	NOV.08.2006