

SavantIC Semiconductor

Product Specification

Silicon PNP Power Transistors

2SA1644

DESCRIPTION

- With TO-220 package
- Fast switching speed
- Low collector saturation voltage

APPLICATIONS

- For use in switching power supplies,DC-DC converters,motor drivers,solenoid drivers, and other low-voltage power supply devices, as well as for high current switching

PINNING

PIN	DESCRIPTION
1	Emitter
2	Collector;connected to mounting base
3	Base



Absolute maximum ratings(Ta=25℃)

SYMBOL	PARAMETER	CONDITIONS	VALUE	UNIT
V _{CBO}	Collector-base voltage	Open emitter	-150	V
V _{CEO}	Collector-emitter voltage	Open base	-100	V
V _{EBO}	Emitter-base voltage	Open collector	-7	V
I _C	Collector current		-5	A
I _{CM}	Collector current-peak	PW≤300μs, duty cycle≤10%	-10	A
I _B	Base current		-3	A
P _T	Total power dissipation	T _a =25℃	1.5	W
		T _c =25℃	35	
T _j	Junction temperature		150	℃
T _{stg}	Storage temperature		-55~150	℃

Silicon PNP Power Transistors

2SA1644

CHARACTERISTICS

T_j=25°C unless otherwise specified

SYMBOL	PARAMETER	CONDITIONS	MIN	TYP.	MAX	UNIT
V _{CEsat-1}	Collector-emitter saturation voltage	I _C =-3A; I _B =-0.15A			-0.3	V
V _{CEsat-2}	Collector-emitter saturation voltage	I _C =-4A; I _B =-0.2A			-0.5	V
V _{BE sat-1}	Base-emitter saturation voltage	I _C =-3A; I _B =-0.15A			-1.2	V
V _{BE sat-2}	Base-emitter saturation voltage	I _C =-4A; I _B =-0.2A			-1.5	V
I _{CBO}	Collector cut-off current	V _{CB} =-100V; I _E =0			-10	μA
I _{EBO}	Emitter cut-off current	V _{EB} =-5V; I _C =0			-10	μA
h _{FE-1}	DC current gain	I _C =-0.2A; V _{CE} =-2V	100			
h _{FE-2}	DC current gain	I _C =-1A; V _{CE} =-2V	100		400	
h _{FE-3}	DC current gain	I _C =-3A; V _{CE} =-2V	60			

◆ h_{FE-2} Classifications

M	L	K
100-200	150-300	200-400

Silicon PNP Power Transistors

2SA1644

PACKAGE OUTLINE

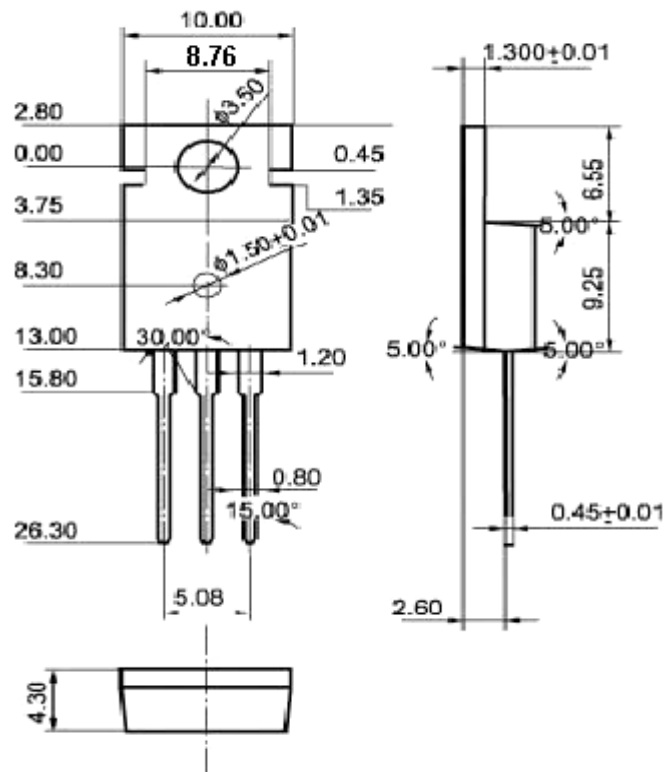


Fig.2 Outline dimensions(unindicated tolerance: ± 0.10 mm)