

SavantIC Semiconductor

Product Specification

Silicon PNP Power Transistors

2SB1371

DESCRIPTION

- With TO-3PFa package
- Complement to type 2SD2064
- High transition frequency
- Satisfactory linearity of h_{FE}

APPLICATIONS

- For high power amplification

PINNING

PIN	DESCRIPTION
1	Base
2	Collector
3	Emitter

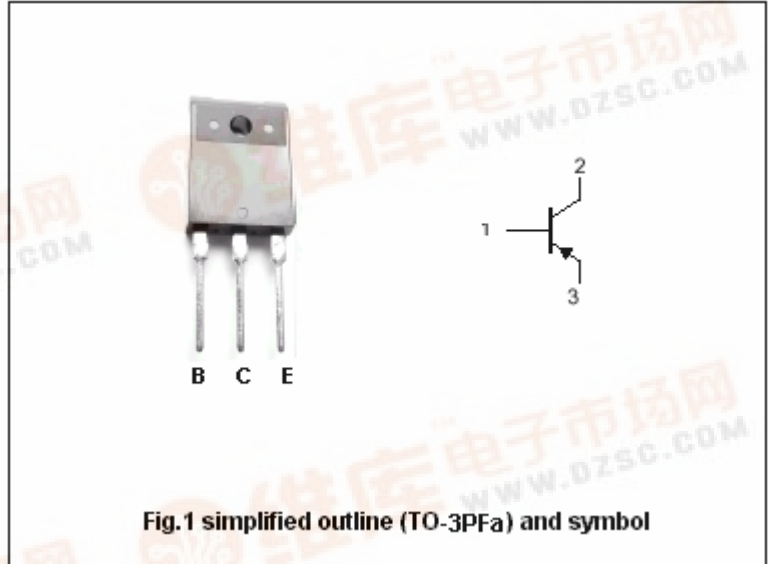


Fig.1 simplified outline (TO-3PFa) and symbol

Absolute maximum ratings($T_a=25^\circ C$)

SYMBOL	PARAMETER	CONDITIONS	VALUE	UNIT
V_{CBO}	Collector-base voltage	Open emitter	-120	V
V_{CEO}	Collector-emitter voltage	Open base	-120	V
V_{EBO}	Emitter-base voltage	Open collector	-5	V
I_C	Collector current		-6	A
I_{CM}	Collector current-peak		-10	A
P_C	Collector power dissipation	$T_C=25^\circ C$	70	W
		$T_a=25^\circ C$	3	
T_j	Junction temperature		150	$^\circ C$
T_{stg}	Storage temperature		-55~150	$^\circ C$

Silicon PNP Power Transistors

2SB1371

CHARACTERISTICS

T_j=25°C unless otherwise specified

SYMBOL	PARAMETER	CONDITIONS	MIN	TYP.	MAX	UNIT
V _{CEsat}	Collector-emitter saturation voltage	I _C =-4A ; I _B =-0.4A			-2.0	V
V _{BE}	Base-emitter on voltage	I _C =-4A ; V _{CE} =-5V			-1.8	V
I _{CBO}	Collector cut-off current	V _{CB} =-120V; I _E =0			-50	μA
I _{EBO}	Emitter cut-off current	V _{EB} =-3V; I _C =0			-50	μA
h _{FE-1}	DC current gain	I _C =-20mA ; V _{CE} =-5V	20			
h _{FE-2}	DC current gain	I _C =-1A ; V _{CE} =-5V	60		200	
h _{FE-3}	DC current gain	I _C =-4A ; V _{CE} =-5V	20			
C _{OB}	Output capacitance	I _E =0 ; V _{CB} =-10V; f=1.0MHz		150		pF
f _T	Transition frequency	I _C =-0.5A ; V _{CE} =-5V; f=1.0MHz		15		MHz

◆ h_{FE-2} classifications

Q	S	P
60-120	80-160	100-200

Silicon PNP Power Transistors

2SB1371

PACKAGE OUTLINE

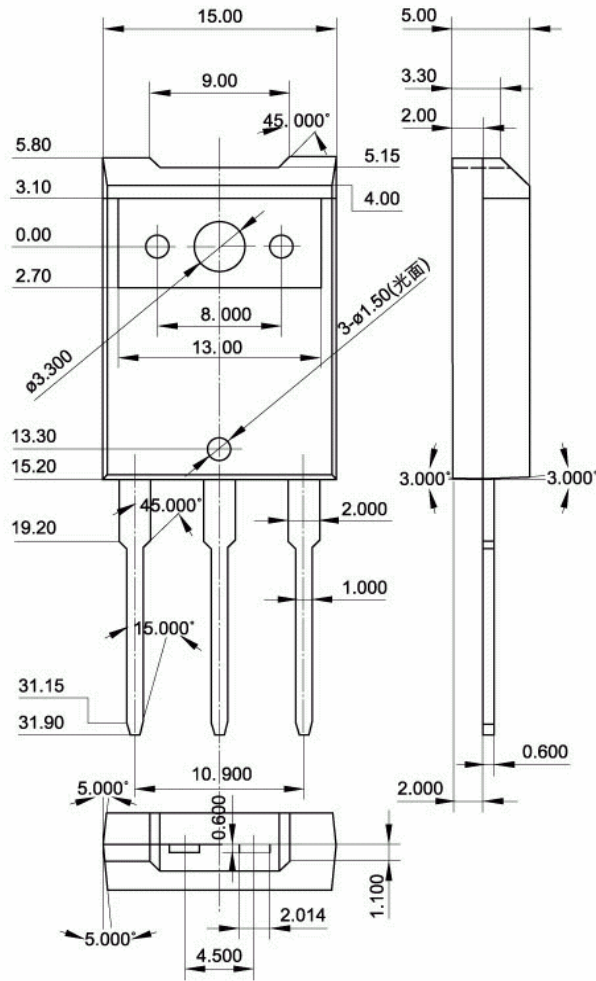


Fig.2 Outline dimensions (unindicated tolerance:±0.30mm)

Silicon PNP Power Transistors

2SB1371

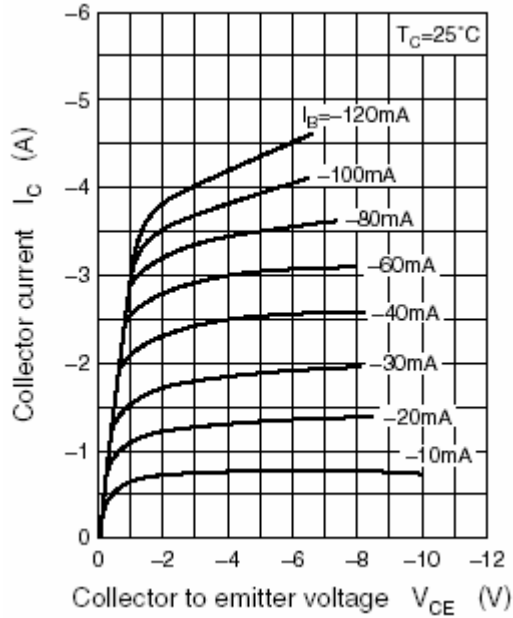


Fig.3 Static Characteristic

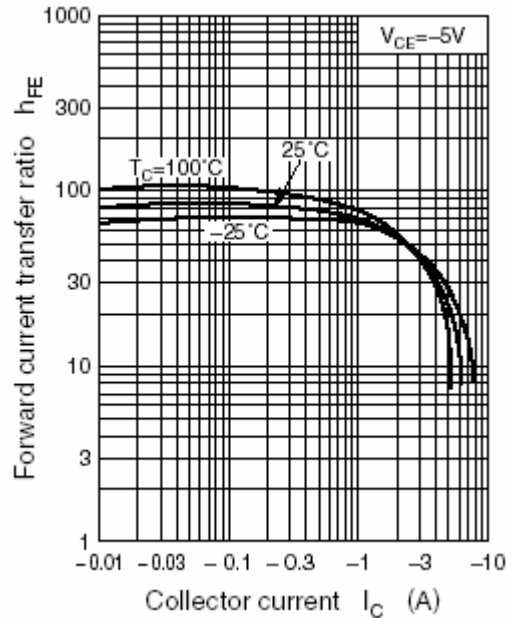


Fig.4 DC current Gain

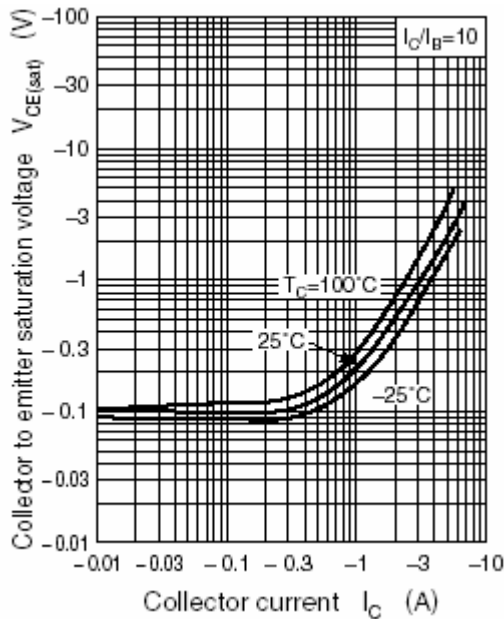


Fig.5 Collector-Emitter Saturation Voltage

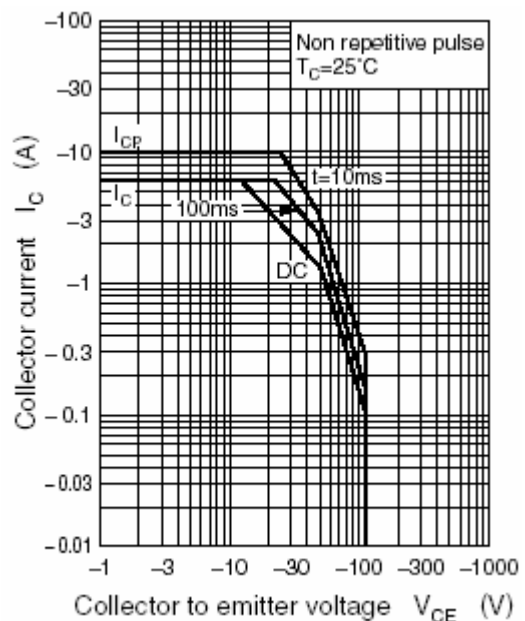


Fig.6 Safe Operating Area