

SavantIC Semiconductor

Product Specification

Silicon NPN Power Transistors

BD239/A/B/C

DESCRIPTION

With TO-220C package

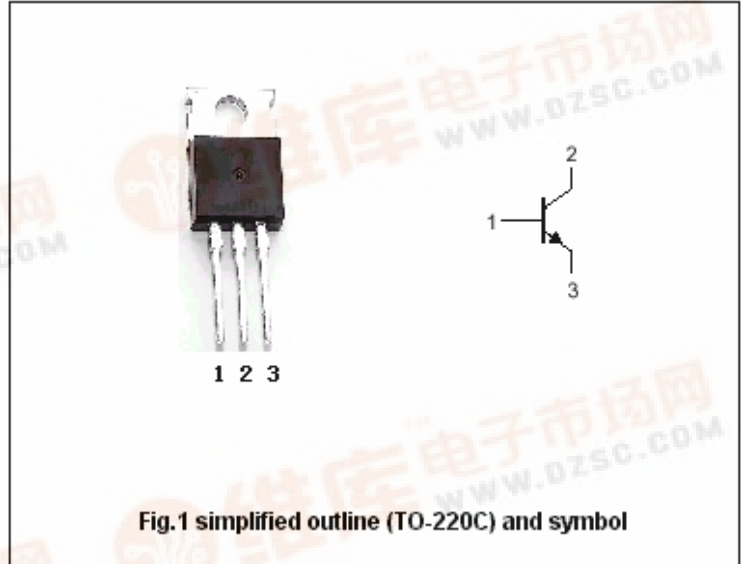
·Complement to type BD240/A/B/C

APPLICATIONS

·For medium power linear and switching applications

PINNING

PIN	DESCRIPTION
1	Base
2	Collector;connected to mounting base
3	Emitter



Absolute maximum ratings (Ta=25℃)

SYMBOL	PARAMETER	CONDITIONS	VALUE	UNIT
V _{CBO}	Collector-base voltage	BD239	55	V
		BD239A	70	
		BD239B	90	
		BD239C	115	
V _{CEO}	Collector-emitter voltage	BD239	45	V
		BD239A	60	
		BD239B	80	
		BD239C	100	
V _{EBO}	Emitter-base voltage	Open collector	5	V
I _C	Collector current		2	A
I _{CM}	Collector current-peak		4	A
I _B	Base current		0.6	A
P _C	Collector power dissipation	T _C =25℃	30	W
T _j	Junction temperature		150	℃
T _{stg}	Storage temperature		-65~150	℃

Silicon NPN Power Transistors

BD239/A/B/C

CHARACTERISTICS

T_j=25 °C unless otherwise specified

SYMBOL	PARAMETER		CONDITIONS	MIN	TYP.	MAX	UNIT
V _{CE0(SUS)}	Collector-emitter sustaining voltage	BD239	I _C =30mA; I _B =0	45			V
		BD239A		60			
		BD239B		80			
		BD239C		100			
V _{CEsat}	Collector-emitter saturation voltage		I _C =1 A; I _B =0.2 A			0.7	V
V _{BE}	Base-emitter on voltage		I _C =1A ; V _{CE} =4V			1.3	V
I _{CEO}	Collector cut-off current	BD239/A	V _{CE} =30V; I _B =0			0.3	mA
		BD239B/C	V _{CE} =60V; I _B =0				
I _{CES}	Collector cut-off current	BD239	V _{CE} =45V; V _{BE} =0			0.2	mA
		BD239A	V _{CE} =60V; V _{BE} =0				
		BD239B	V _{CE} =80V; V _{BE} =0				
		BD239C	V _{CE} =100V; V _{BE} =0				
I _{EBO}	Emitter cut-off current		V _{EB} =5V; I _C =0			1	mA
h _{FE-1}	DC current gain		I _C =0.2A ; V _{CE} =4V	40			
h _{FE-2}	DC current gain		I _C =1A ; V _{CE} =4V	15			

Silicon NPN Power Transistors

BD239/A/B/C

PACKAGE OUTLINE

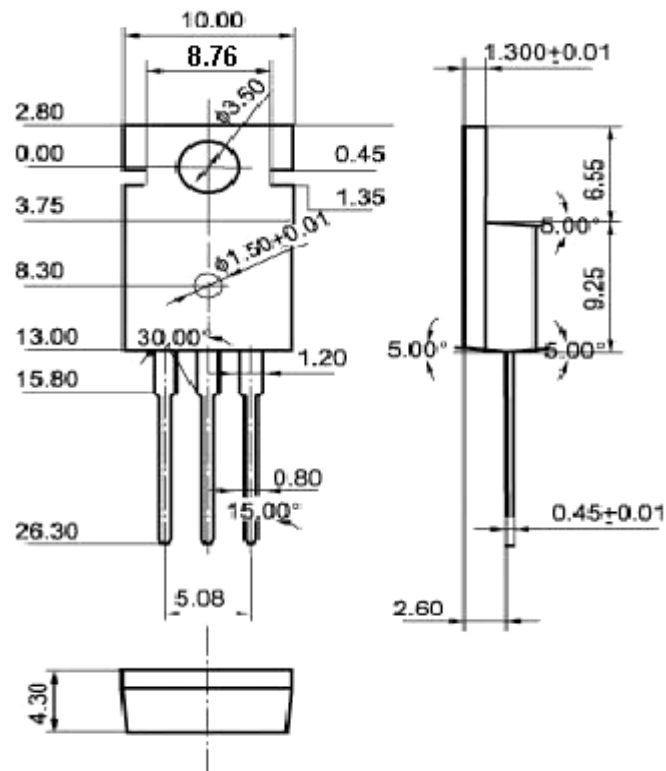


Fig.2 Outline dimensions (unindicated tolerance:±0.10 mm)