

SavantIC Semiconductor

Product Specification

Silicon PNP Power Transistors

BD646/648/650/652

DESCRIPTION

- With TO-220C package
- Complement to type BD645/647/649/651
- DARLINGTON

APPLICATIONS

- For use in output stages in audio equipment ,general amplifier,and analogue switching applications

PINNING

PIN	DESCRIPTION
1	Base
2	Collector;connected to mounting base
3	Emitter



Fig.1 simplified outline (TO-220C) and symbol

Absolute maximum ratings(Ta=25°C)

SYMBOL	PARAMETER	CONDITIONS	VALUE	UNIT
V _{CBO}	Collector-base voltage	BD646	-80	V
		BD648	-100	
		BD650	-120	
		BD652	-140	
V _{CEO}	Collector-emitter voltage	BD646	-60	V
		BD648	-80	
		BD650	-100	
		BD652	-120	
V _{EBO}	Emitter-base voltage	Open collector	-5	V
I _C	Collector current-DC		-8	A
I _{CM}	Collector current-Pulse		-12	A
I _B	Base current		-150	mA
P _C	Collector power dissipation	T _C =25°C	62.5	W
T _j	Junction temperature		150	°C
T _{stg}	Storage temperature		-65~150	°C

Silicon PNP Power Transistors

BD646/648/650/652

CHARACTERISTICS

T_j=25°C unless otherwise specified

SYMBOL	PARAMETER	CONDITIONS	MIN	TYP.	MAX	UNIT	
V _{(BR)CEO}	Collector-emitter breakdown voltage	BD646	-60			V	
		BD648	-80				
		BD650	-100				
		BD652	-120				
V _{CEsat-1}	Collector-emitter saturation voltage	I _C =-3A, I _B =-12mA			-2.0	V	
V _{CEsat-2}	Collector-emitter saturation voltage	I _C =-5A, I _B =-50mA			-2.5	V	
V _{BEsat}	Base-emitter saturation voltage	I _C =-5A, I _B =-50mA			-3.0	V	
V _{BE}	Base-emitter on voltage	I _C =-3A; V _{CE} =-3V			-2.5	V	
I _{CBO}	Collector cut-off current	BD646	V _{CB} =-60V, I _E =0 V _{CB} =-40V, I _E =0; T _C =150°C			-0.2 -2.0	mA
		BD648	V _{CB} =-80V, I _E =0 V _{CB} =-50V, I _E =0; T _C =150°C			-0.2 -2.0	
		BD650	V _{CB} =-100V, I _E =0 V _{CB} =-60V, I _E =0; T _C =150°C			-0.2 -2.0	
		BD652	V _{CB} =-120V, I _E =0 V _{CB} =-70V, I _E =0; T _C =150°C			-0.2 -2.0	
I _{CEO}	Collector cut-off current	BD646	V _{CE} =-30V, I _B =0			-0.5	mA
		BD648	V _{CE} =-40V, I _B =0				
		BD650	V _{CE} =-50V, I _B =0				
		BD652	V _{CE} =-60V, I _B =0				
I _{EBO}	Emitter cut-off current	V _{EB} =-5V; I _C =0			-5	mA	
h _{FE}	DC current gain	I _C =-3A; V _{CE} =-3V	750				

THERMAL CHARACTERISTICS

SYMBOL	PARAMETER	MAX	UNIT
R _{th j-c}	Thermal resistance junction to case	2.0	°C/W

Silicon PNP Power Transistors

BD646/648/650/652

PACKAGE OUTLINE

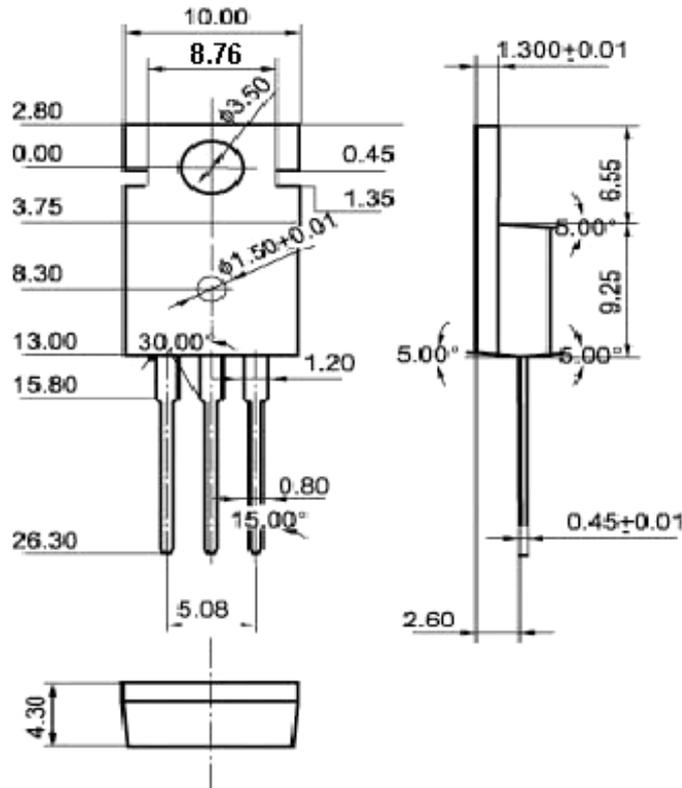


Fig.2 Outline dimensions