

SavantIC Semiconductor

Product Specification

Silicon NPN Power Transistors

BUW13F BUW13AF

DESCRIPTION

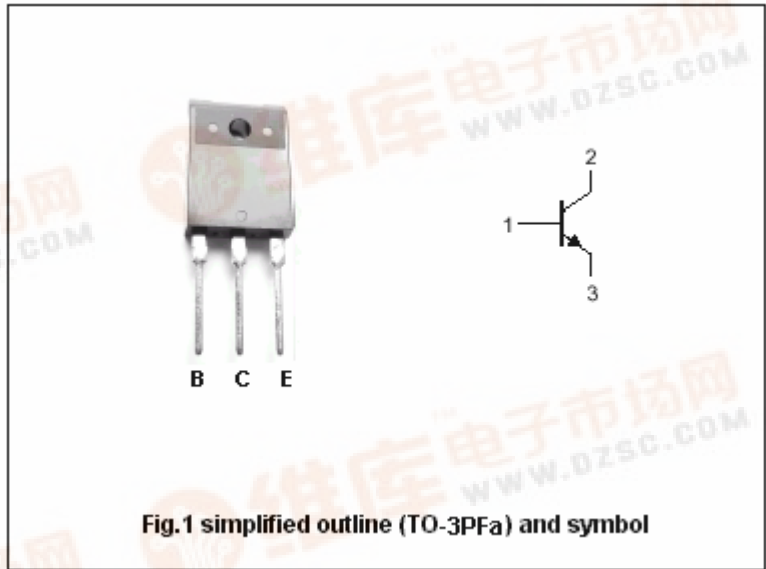
- With TO-3PFa package
- High voltage;high speed

APPLICATIONS

- Converters
- Inverters
- Switching regulators
- Motor control systems

PINNING (See Fig.2)

PIN	DESCRIPTION
1	Base
2	Collector
3	Emitter



Absolute maximum ratings(Ta=25°C)

SYMBOL	PARAMETER	CONDITIONS	VALUE	UNIT
V _{CBO}	Collector-base voltage	BUW13F	850	V
		BUW13AF	1000	
V _{CEO}	Collector-emitter voltage	BUW13F	400	V
		BUW13AF	450	
V _{EBO}	Emitter-base voltage	Open collector	9	V
I _C	Collector current		15	A
I _{CM}	Collector current-peak		30	A
I _B	Base current		6	A
I _{BM}	Base current-peak		9	A
P _T	Total power dissipation	T _c =25°C	50	W
T _j	Junction temperature		150	°C
T _{stg}	Storage temperature		-65~150	°C

THERMAL CHARACTERISTICS

SYMBOL	PARAMETER	MAX	UNIT
R _{th j-a}	Thermal resistance from junction to ambient	35	K/W

Silicon NPN Power Transistors

BUW13F BUW13AF

CHARACTERISTICS

T_j=25°C unless otherwise specified

SYMBOL	PARAMETER		CONDITIONS	MIN	TYP.	MAX	UNIT
V _{CEO(SUS)}	Collector-emitter sustaining voltage	BUW13F	I _C =0.1A; I _B =0; L=25mH	400			V
		BUW13AF		450			
V _{CEsat}	Collector-emitter saturation voltage	BUW13F	I _C =10A; I _B =2A			1.5	V
		BUW13AF	I _C =8A; I _B =1.6A				
V _{BEsat}	Base-emitter saturation voltage	BUW13F	I _C =10A; I _B =2A			1.6	V
		BUW13AF	I _C =8A; I _B =1.6A				
I _{CES}	Collector cut-off current		V _{CE} =Rated V _{CEs} ; V _{BE} =0 T _j =125°C			1.0 4.0	mA
I _{EBO}	Emitter cut-off current		V _{EB} =9V; I _C =0			10	mA
h _{FE-1}	DC current gain		I _C =20mA; V _{CE} =5V	10		35	
h _{FE-2}	DC current gain		I _C =1.5A; V _{CE} =5V	10		35	

Switching times resistive load

t _{on}	Turn-on time	For BUW13F I _C =10A; I _{B1} =-I _{B2} =-2A For BUW13AF I _C =8A; I _{B1} =-I _{B2} =-1.6A			1.0	μs
t _s	Storage time				4.0	μs
t _f	Fall time				0.8	μs

Silicon NPN Power Transistors

BUW13F BUW13AF

PACKAGE OUTLINE

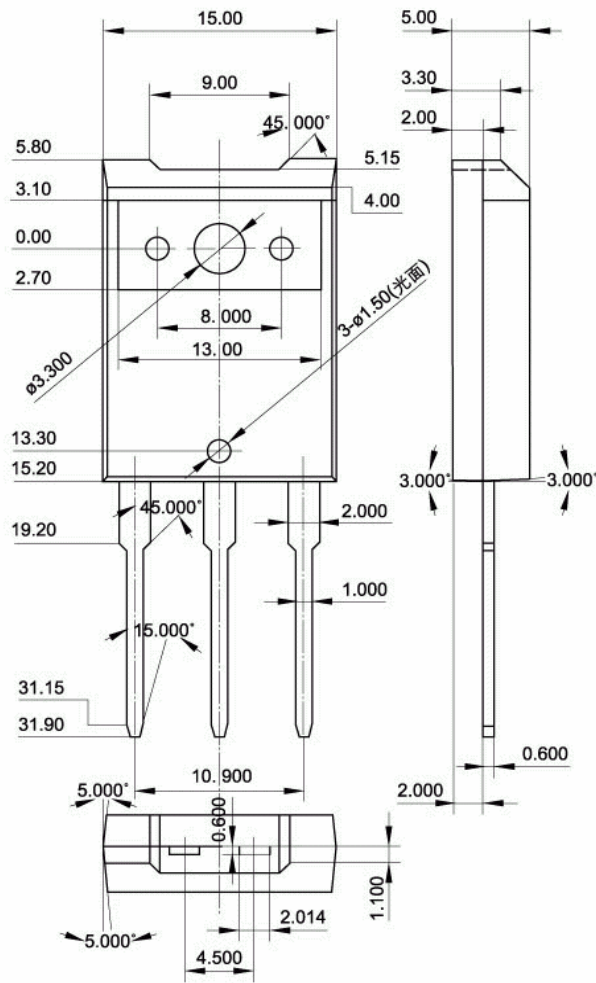


Fig.2 Outline dimensions(unindicated tolerance:±0.30mm)