

SavantIC Semiconductor

Product Specification

Silicon NPN Power Transistors

TIP41D/41E/41F

DESCRIPTION

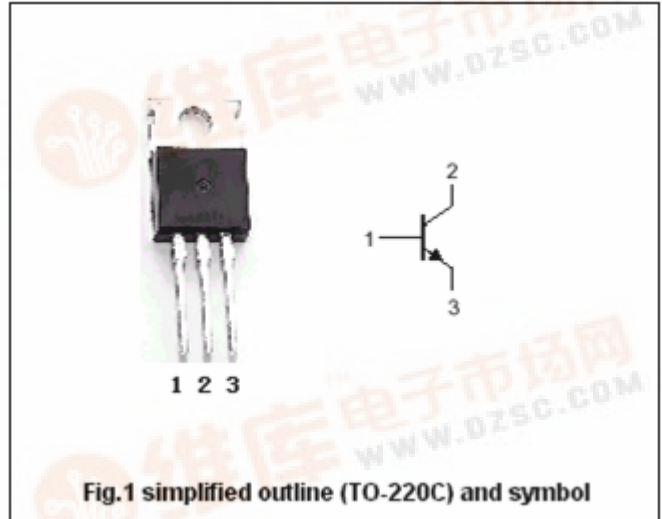
- With TO-220C package
- Complement to type TIP42D/42E/42F

APPLICATIONS

- For medium power linear switching applications

PINNING

PIN	DESCRIPTION
1	Base
2	Collector;connected to mounting base
3	Emitter



ABSOLUTE MAXIMUM RATINGS(Tc=25°C)

SYMBOL	PARAMETER	CONDITIONS	VALUE	UNIT
V _{CBO}	Collector-base voltage	TIP41D	160	V
		TIP41E	180	
		TIP41F	200	
V _{CEO}	Collector-emitter voltage	TIP41D	120	V
		TIP41E	140	
		TIP41F	160	
V _{EBO}	Emitter-base voltage	Open collector	5	V
I _C	Collector current (DC)		6	A
I _{CM}	Collector current-Pulse		10	A
I _B	Base current		3	A
P _C	Collector power dissipation	T _C =25°C	65	W
		T _a =25°C	2	
T _j	Junction temperature		150	°C
T _{stg}	Storage temperature		-65~150	°C

Silicon NPN Power Transistors

TIP41D/41E/41F

CHARACTERISTICS

T_j=25°C unless otherwise specified

SYMBOL	PARAMETER	CONDITIONS	MIN	TYP.	MAX	UNIT
V _{CEO(SUS)}	Collector-emitter sustaining voltage	TIP41D	120			V
		TIP41E	140			
		TIP41F	160			
V _{CE(sat)}	Collector-emitter saturation voltage	I _C =6A; I _B =1.5A			1.5	V
V _{BE}	Base-emitter on voltage	I _C =6A; V _{CE} =4V			2.0	V
I _{CES}	Collector cut-off current	TIP41D			0.4	mA
		TIP41E	V _{CE} =120V; V _{EB} =0			
		TIP41F	V _{CE} =140V; V _{EB} =0			
I _{CEO}	Collector cut-off current	V _{CE} =90V; I _B =0			0.7	mA
I _{EBO}	Emitter cut-off current	V _{EB} =5V; I _C =0			1.0	mA
h _{FE-1}	DC current gain	I _C =0.3A; V _{CE} =4V	30			
h _{FE-2}	DC current gain	I _C =3A; V _{CE} =4V	15			
f _T	Transition frequency	I _C =0.5A; V _{CE} =10V	3			MHz

Silicon NPN Power Transistors

TIP41D/41E/41F

PACKAGE OUTLINE

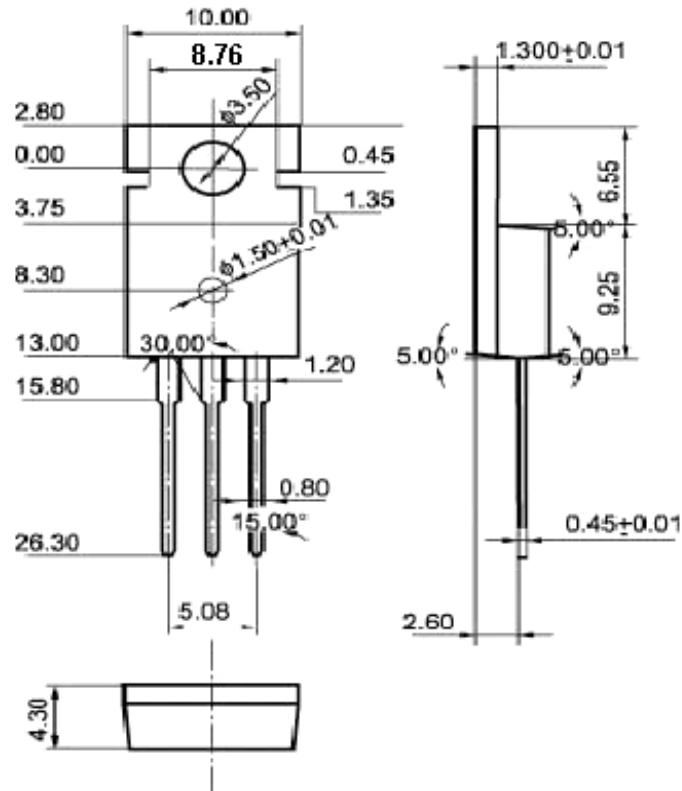


Fig.2 Outline dimensions (unindicated tolerance:±0.1mm)