

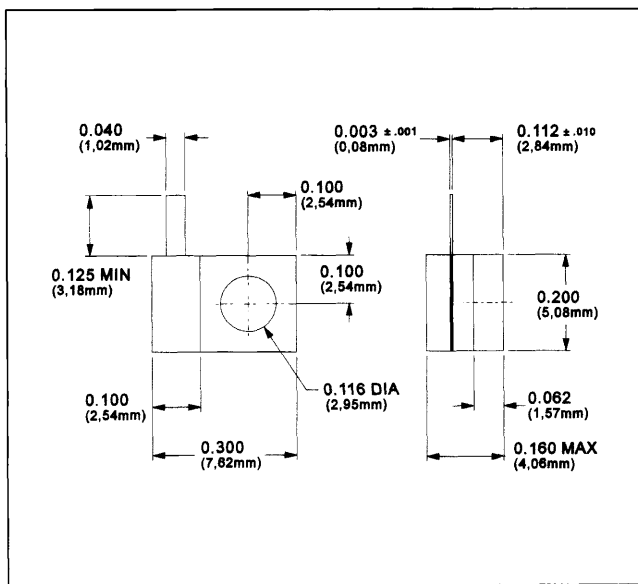
## HIGH POWER LOADS

### GENERAL SPECIFICATIONS:

Power Handling: Full power at 100°C heat sink  
 Impedance: 50Ω nominal  
 Element: Thick film, unless otherwise specified  
 Substrate: Beryllia  
 Top Plate: Alumina

### NOTES:

- Peak power is based on 100 microsecond pulse width and 1% duty cycle.
- Derate linearly from rated power to 0 watts at 150°C.

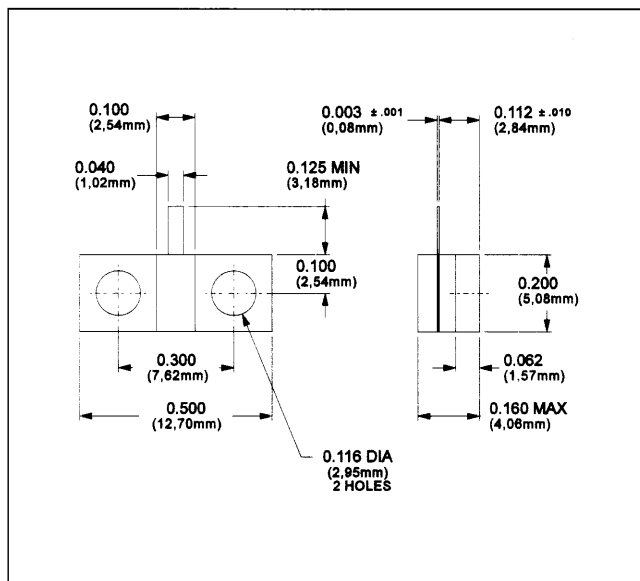


### MODEL 5317

Maximum Power: 10 watts average, 100 watts peak  
 Frequency Range: DC - 4 GHz  
 Maximum VSWR: 1.35  
 Flange: Copper, nickel plated  
 Contact: Beryllium copper, gold plated

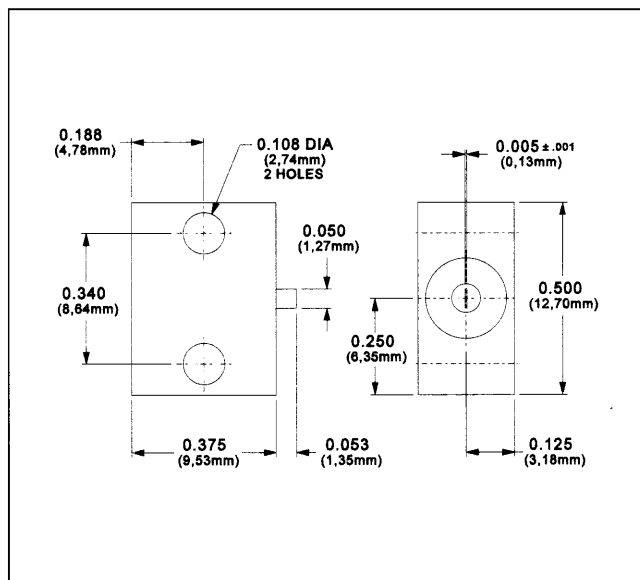
► See Application Note 007 on page 93 for mounting instructions.

## HIGH POWER LOADS



### MODEL 5323

Maximum Power: 10 watts average, 100 watts peak  
 Frequency Range: DC - 4 GHz  
 Maximum VSWR: 1.35  
 Flange: Copper, nickel plated  
 Contact: Beryllium copper, gold plated

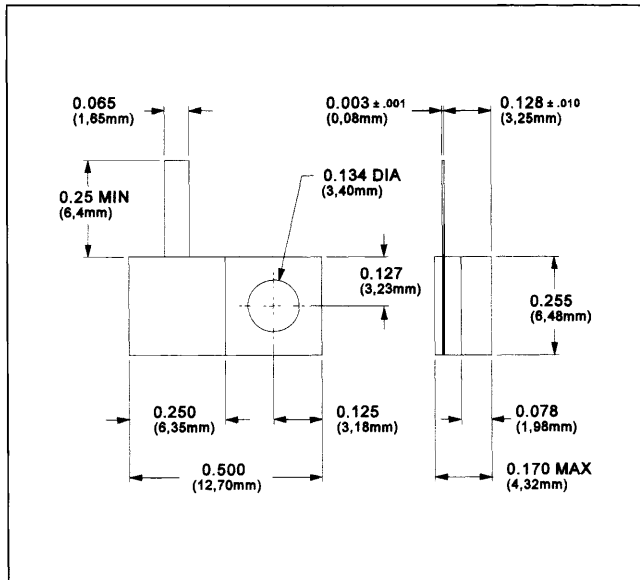


### MODEL 5315

Maximum Power: 15 watts average, 150 watts peak  
 Frequency Range: DC - 18 GHz  
 Maximum VSWR: 1.10 DC - 4 GHz  
 1.15 4 - 8 GHz  
 1.25 8 - 12 GHz  
 1.40 12 - 18 GHz  
 Flange: Aluminum, chromate protective coating  
 Contact: Beryllium copper, gold plated  
 Element: Thin film

► See Application Note 007 on page 93 for mounting instructions.

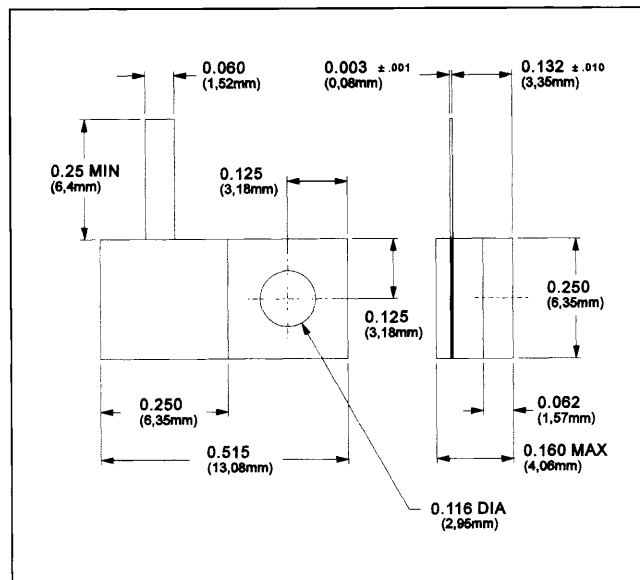
## HIGH POWER LOADS



### MODEL 5309

Maximum Power: 25 watts average, 250 watts peak  
 Frequency Range: DC - 4 GHz  
 Maximum VSWR: 1.25 DC - 2 GHz  
 1.35 2 - 4 GHz  
 Flange: Copper, nickel plated  
 Contact: Beryllium copper, gold plated

- Alternate tab orientation available - contact factory.

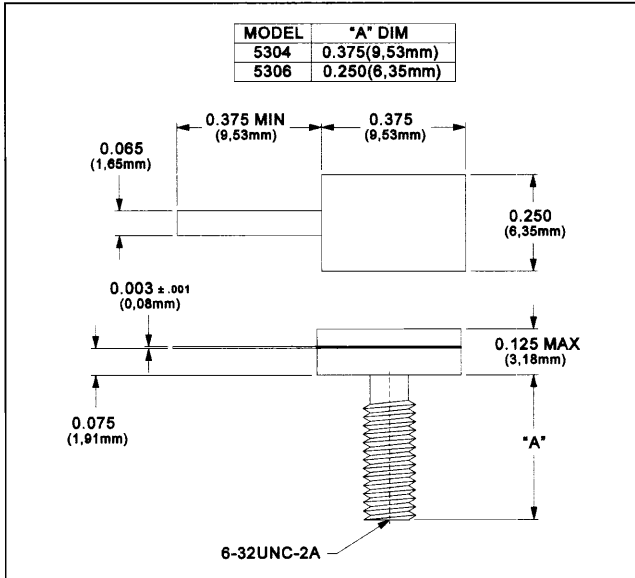


### MODEL 5325

Maximum Power: 25 watts average, 250 watts peak  
 Frequency Range: DC - 2 GHz  
 Maximum VSWR: 1.20 DC - 1 GHz  
 1.35 1 - 2 GHz  
 Flange: Copper, nickel plated  
 Contact: Brass, gold plated

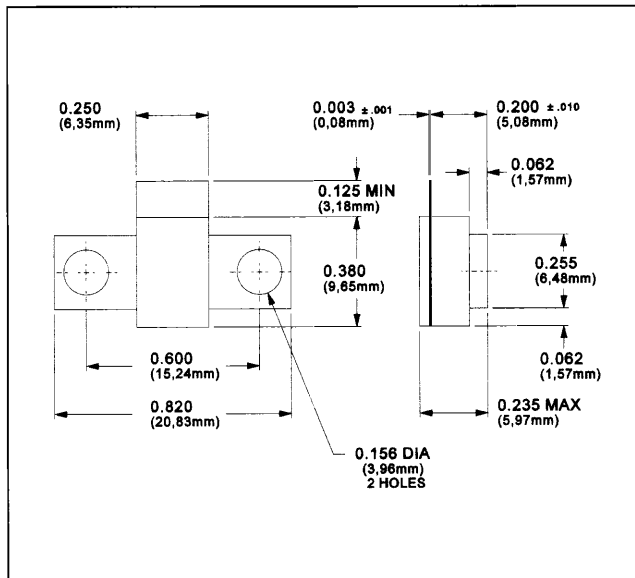
► See Application Note 007 on page 93 for mounting instructions.

## HIGH POWER LOADS



### MODEL 5304 AND 5306

Maximum Power: 25 watts average, 250 watts peak  
 Frequency Range: DC - 2 GHz  
 Maximum VSWR: 1.25  
 Stud: Brass, nickel plated  
 Contact: Beryllium copper, gold plated  
 Maximum Torque: 3 inch-pounds

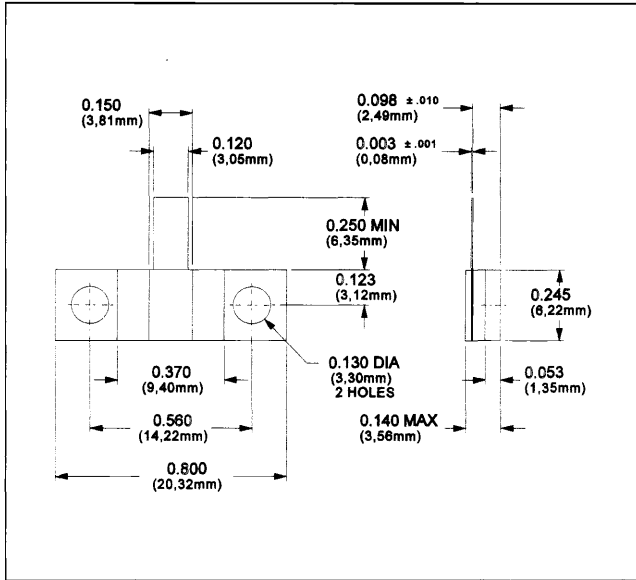


### MODEL 5655

Maximum Power: 75 watts average, 750 watts peak  
 Frequency Range: DC - 1.5 GHz  
 Maximum VSWR: 1.25 DC - 1 GHz  
 1.40 1 - 1.5 GHz  
 Flange: Copper, nickel plated  
 Contact: Beryllium copper, gold plated

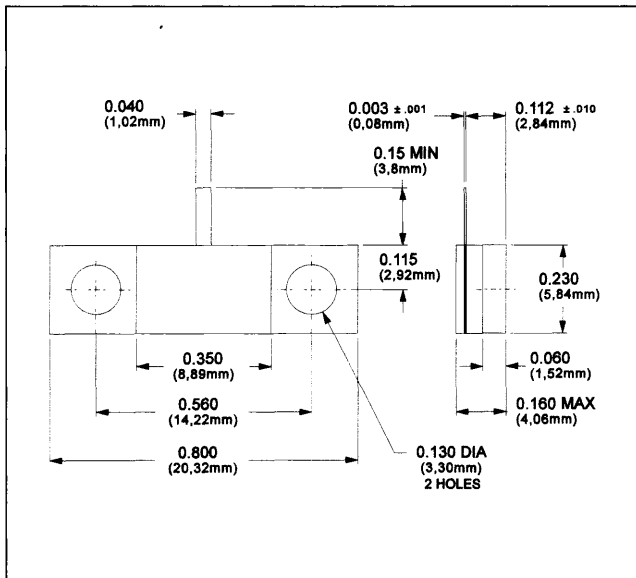
► See Application Note 007 on page 93 for mounting instructions.

## HIGH POWER LOADS



### MODEL 5320

Maximum Power: 90 watts average, 900 watts peak  
 Frequency Range: DC - 4 GHz  
 Maximum VSWR: 1.25  
 Flange: Copper, nickel plated  
 Contact: Copper, gold plated

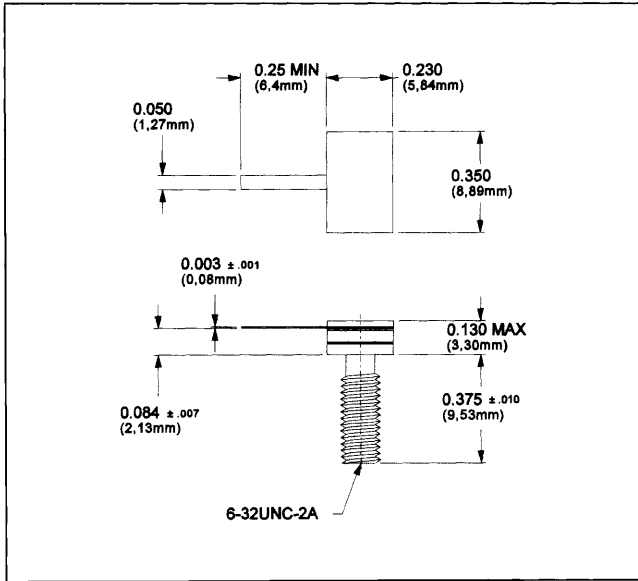


### MODEL 5653

Maximum Power: 100 watts average, 1000 watts peak  
 Frequency Range: DC - 4 GHz  
 Maximum VSWR: 1.25  
 Flange: Copper, nickel plated  
 Contact: Beryllium copper, gold plated

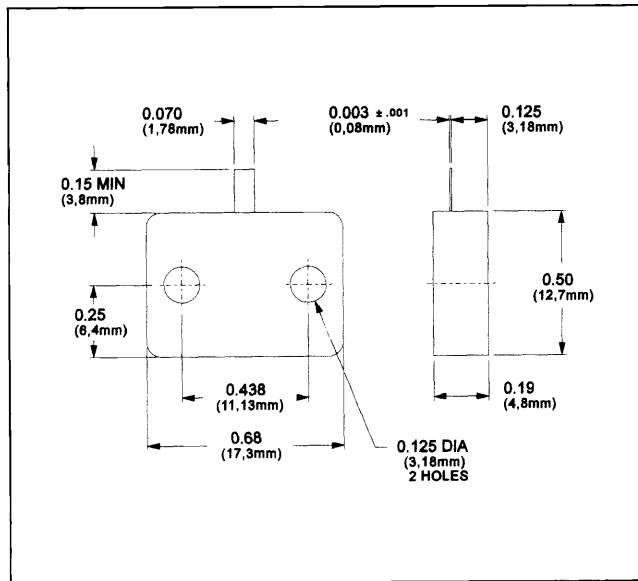
► See Application Note 007 on page 93 for mounting instructions.

**HIGH POWER LOADS**



**MODEL 5305**

Maximum Power: 100 watts average, 1000 watts peak  
 Frequency Range: DC - 4 GHz  
 Maximum VSWR: 1.25  
 Stud: Tellurium copper, nickel plated  
 Contact: Copper, gold plated  
 Maximum Torque: 3 inch pounds

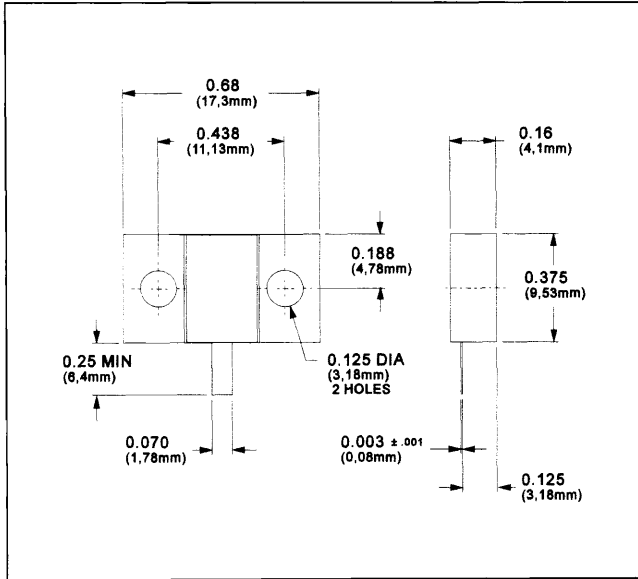


**MODEL 5651**

Maximum Power: 125 watts average, 1250 watts peak  
 Frequency Range: DC - 1 GHz  
 Maximum VSWR: 1.30  
 Body: High temperature mold compound (totally encapsulated)  
 Flange: Copper, nickel plated  
 Contact: Beryllium copper, gold plated

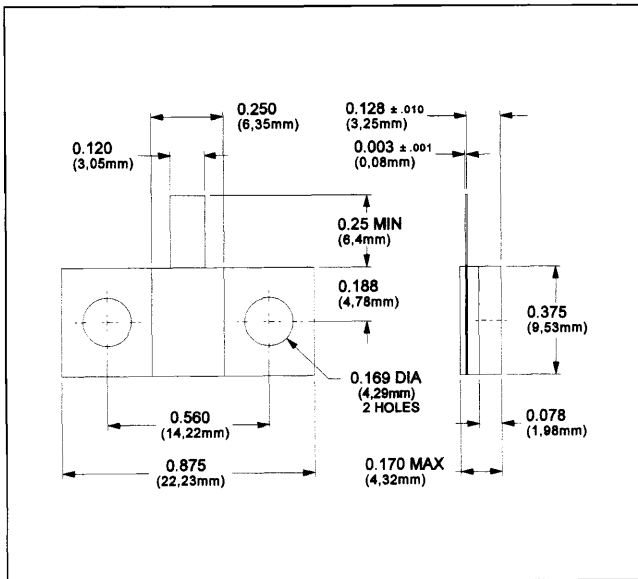
▶ See Application Note 007 on page 93 for mounting instructions.

## HIGH POWER LOADS



### MODEL 5661

Maximum Power: 125 watts average, 1250 watts peak  
 Frequency Range: DC - 1 GHz  
 Maximum VSWR: 1.30  
 Flange: Copper, nickel plated  
 Contact: Beryllium copper, gold plated

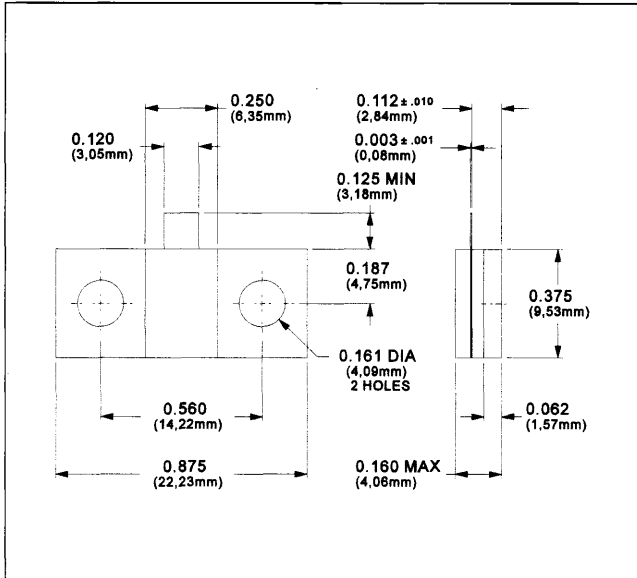


### MODEL 5307

Maximum Power: 150 watts average, 1500 watts peak  
 Frequency Range: DC - 2 GHz  
 Maximum VSWR: 1.25  
 Flange: Copper, nickel plated  
 Contact: Copper, gold plated

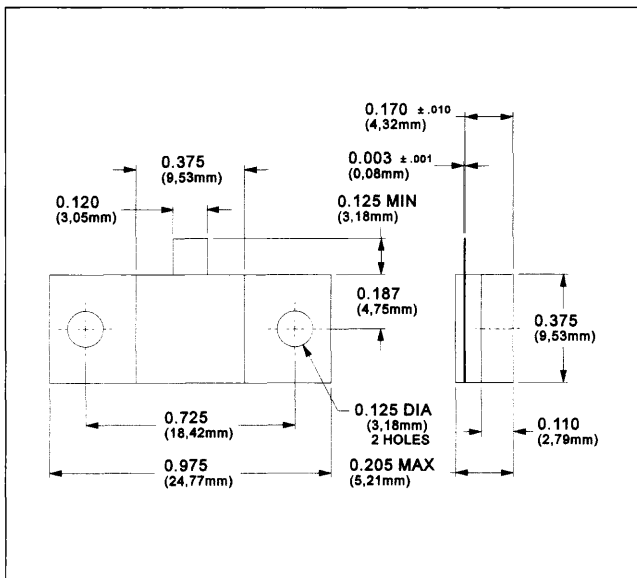
► See Application Note 007 on page 93 for mounting instructions.

## HIGH POWER LOADS



### MODEL 5657

Maximum Power: 150 watts average, 1500 watts peak  
 Frequency Range: DC - 2 GHz  
 Maximum VSWR: 1.25  
 Flange: Copper, nickel plated  
 Contact: Copper, gold plated



### MODEL 5659

Maximum Power: 250 watts average, 2500 watts peak  
 Frequency Range: DC - 2 GHz  
 Maximum VSWR: 1.30  
 Flange: Copper, nickel plated  
 Contact: Copper, gold plated

▶ See Application Note 007 on page 93 for mounting instructions.