

TOGGLE SWITCHES

TOGGLE SWITCH SELECTION GUIDE: This catalog contains an extensive variety of toggle switches with numerous options and accessories. To facilitate easy selection of the desired switch for your application, this guide lists the various Series with some key selection parameters.

SPECIFICATIONS SUBJECT TO CHANGE WITHOUT NOTICE



SERIES	SIZE	RATINGS (Max. in bold)	POLES	SMT MOUNT	PANEL MOUNT	P. C. MOUNT	UL	CSA	VDE	WASHABLE	ESD PROTECTION	PAGE(S)
TL	TINY	0.4VA 20V	SP	X						X	X	A2-A5
TL	TINY	1/2A 48V 0.4VA 20V	SP,DP			X				X	X	A6-A9
S	MINIATURE	0.4VA 20V 2A 250VAC 5A 125VAC 4A 30VDC	SP,DP			X	X			X	X	A10-A13
SF	MINIATURE	0.4VA 20V 2A 250VAC 5A 125VAC 4A 30VDC	SP		X		X			X	X	A14-A16
5000	MINIATURE	0.4VA 20V 3A 250VAC 6A 125VAC 4A 30VDC	SP,DP,3P,4P		X	X	X	X				A17-A34
55000	MINIATURE	6A 125VAC 3A 250VAC	SP,DP		X	X	X	X	X			A35-A38
ST	MINIATURE	6A 125VAC 0.4VA 20V 3A 250VAC 7A 30VDC	SP,DP		X	X	X	X				A39-A52
600H&NH	STANDARD	20A 125VAC 15A 250VAC 10A 24VDC 15A 1/2HP125/250VAC PEAK CURRENT 150A 250VAC	SP,DP,3P		X		X	X	X			A53-A57
11000	STANDARD	4A 125VAC 2A 250VAC 4A 30VDC	SP,DP,3P,4P		X	X						A58-A62
12000	STANDARD	4A 125VAC 2A 250VAC 4A 30VDC	DP,3P,4P		X	X						A63-A66
12000X778	STANDARD	4A 125VAC 2A 250VAC 4A 28VDC	DP,3P,4P		X							A67-A71
4100&4200	STANDARD	6A 125VAC 3A 250VAC 6A 30VDC	DP		X		X	X	X			A72-A73
4600	STANDARD	6A 125VAC 4A 250VAC	SP,DP		X		X	X	X			A74-A75

DESIGNED EXCLUSIVELY FOR SURFACE MOUNTING

SMT TL Series switches incorporate many desirable features that include:

- **Tape & reel packaging**
This type of packaging is recommended for:
 - economy
 - suitability for automated placement
 - handling of large quantities of components per packaging unit
 - positive component positioning
 - protection of terminals against damage during handling
 - high static resistance
- **Reflow solderable**
 - High temperature plastic materials
 - Tin plated grounding brackets
 - Tin-lead alloy over nickel terminal plating
 - Terminals turned outward to prevent the shadow effect in infrared soldering and to permit visual inspection of the solder joints
 - .021" (0.55mm) air gap between p.c. board and switch case
 - End stackable with .400" (10.16mm) pitch
 - Available with positioning pins to assure correct switch orientation during the reflow process and provide additional mechanical integrity
- **Protected against electrostatic discharges (ESD) up to 10 KV.**
- **Washable**
Switches are designed to withstand cleaning processes, including hot water under pressure.

Surface mount devices (SMD) are subject to more stringent constraints of temperature, solderability, sealing and space savings than through-hole components.

To meet these requirements, APEM has designed a family of tiny surface mount switches that include TP Series pushbutton switches, TG Series slide switches and TL Series toggle switches. See Pushbutton & Slide switch sections of catalog for TP & TG Series respectively.



New! TL SERIES - SMT WASHABLE TINY TOGGLE SWITCHES

A

ELECTRICAL SPECIFICATIONS

Contact ratings (resistive lds.):	0.4 VA at 20 V max. (AC or DC)
Minimum load:	10 mA at 50 mV or 10µA at 5 VD
Initial contact resistance:	20 milliohms maximum
Insulation resistance:	1000 MΩ min. at 500 VDC
Dielectric strength:	1000 V rms between terminals & frame. 500 V rms between terminals
Electrical life (at full load):	2 position switches: 60,000 cycles 3 position switches: 30,000 cycles
Static resistance:	10 KV (Schaffner equipment)

GENERAL SPECIFICATIONS

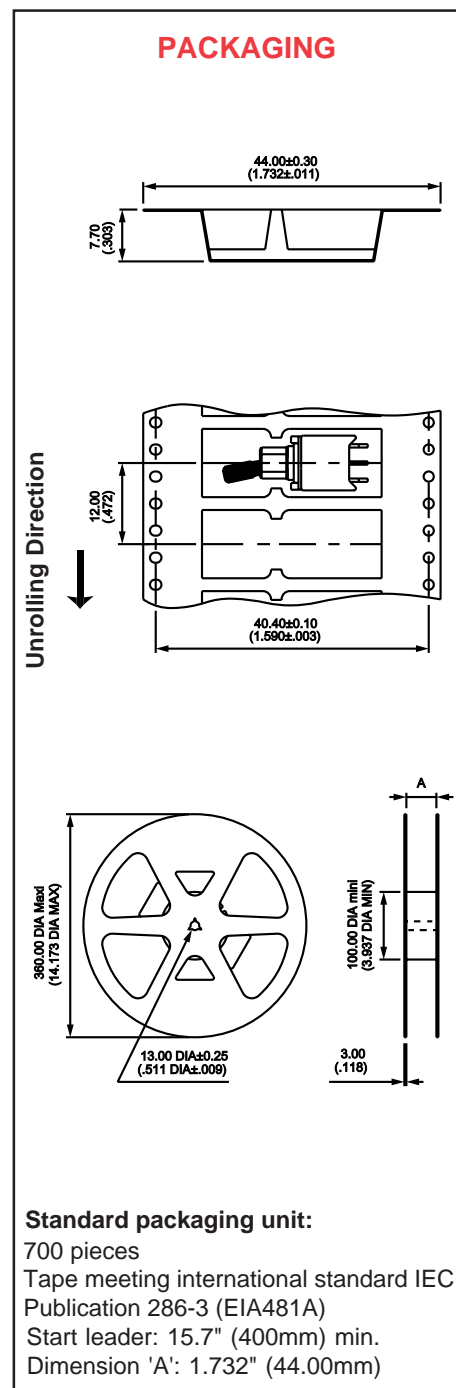
Operating temperature range:	-40°C to +85°C
Moisture resistance:	21 days per IEC 512-6 test 11c
Vibration resistance:	10-500 Hz/10g per IEC 512-4 test 6d
Shock resistance:	50 g per IEC 512-4 test 6c

MATERIALS

Case:	High temperature plastic UL94V-0
Actuator:	Nickel plated brass with high temperature plastic UL94V-0 cap
Grounding brackets:	Tin plated steel (includes positioning pins)
Contacts:	Gold plated brass
Terminals:	Brass with tin-lead alloy over nickel plate

SOLDERING AND CLEANING

Reflow soldering:	Infrared, vapor phase and infrared convection
Washable:	Per IEA-RS448-2: water and detergent preferred. Solvents.



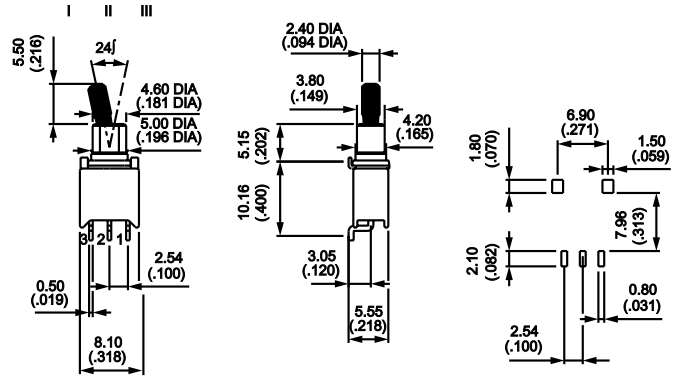
SPECIFICATIONS SUBJECT TO CHANGE WITHOUT NOTICE

New! TL SERIES - SMT WASHABLE TINY TOGGLE SWITCHES

Single pole toggle switches



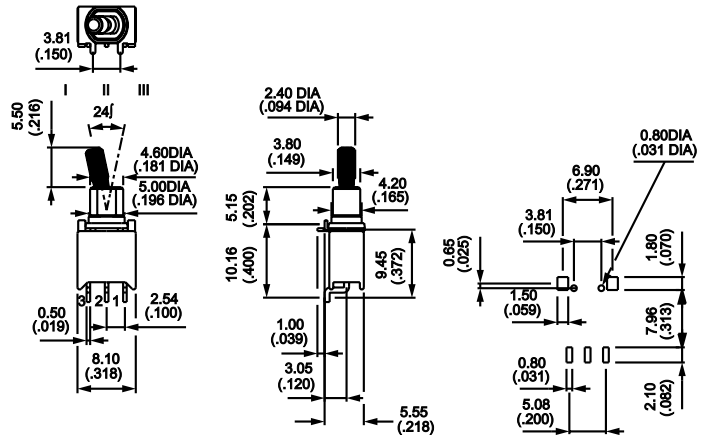
MODEL NO.	CIRCUIT		
TL36WS84000	ON	-	ON
TL39WS84000	ON	OFF	ON
TL37WS84000	MOM	OFF	MOM
TL38WS84000	ON	OFF	MOM
TL32WS84000	ON	-	MOM
Handle position:	III	II	I



Single pole toggle switches with positioning pins

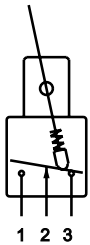


MODEL NO.	CIRCUIT		
TL36WS84065	ON	-	ON
TL39WS84065	ON	OFF	ON
TL37WS84065	MOM	OFF	MOM
TL38WS84065	ON	OFF	MOM
TL32WS84065	ON	-	MOM
Handle position:	III	II	I

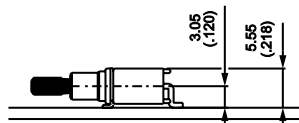


SWITCH ACTION

ON - ON Model shown



P.C. BOARD DIMENSIONS



SPECIFICATIONS SUBJECT TO CHANGE WITHOUT NOTICE

New! TL SERIES - SMT WASHABLE TINY TOGGLE SWITCHES

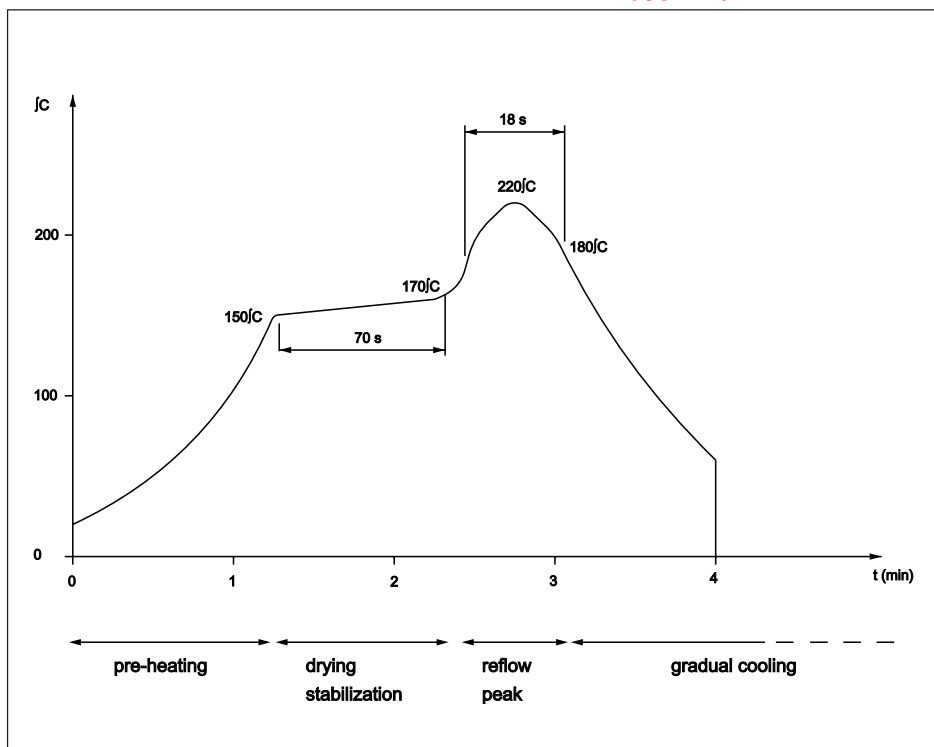
A

REFLOW SOLDERING - STANDARD PROFILE

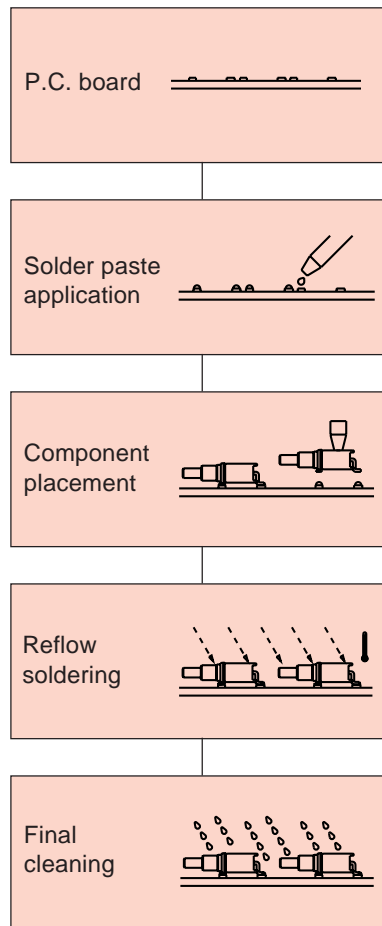
The printed circuit board, carried by a conveyor belt, travels through the reflow soldering oven and experiences the following programmed cycles:

- pre-heat to a maximum of 200°C for 30 seconds
- reflow at a maximum of 245°C for 10 seconds
- final cleaning

TEMPERATURE/TIME PROFILE (typical)

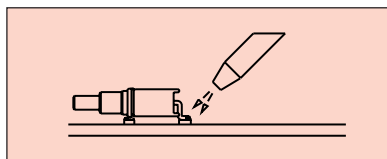


PROCESSING STEPS



P.C. BOARD REWORK RECOMMENDATIONS

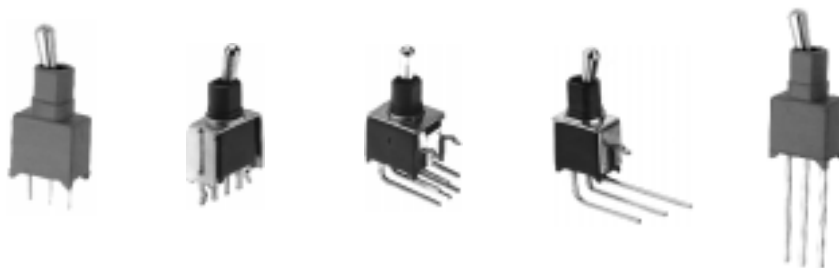
Hot air reflow technique is preferred. Avoid the use of a soldering iron.



Caution: Excessive and/or repeated high temperature exposure may affect switch performance & reliability.

SPECIFICATIONS SUBJECT TO CHANGE WITHOUT NOTICE

TL SERIES - WASHABLE TINY TOGGLE SWITCHES, P.C. MOUNTING



FEATURES

- Wave solderable.
- Fully sealed for process compatibility.
- Ultra-compact case size.
- Case color options - blue or black.
- SPDT & DPDT models.
- Models with electrostatic discharge protection.

SPECIFICATIONS

Contact ratings (resistive loads):	Gold plated brass; 0.4 Volt-Amps max. at 20 V max. Silver plated brass; 0.5 Amps at 48 V max.
Minimum load:	10 mA at 50 mV - 10 μ A at 5 VDC
Initial contact resistance:	20 milliohms maximum
Insulation resistance:	1000 megohms minimum at 500 VDC
Dielectric strength:	1000 V rms minimum between terminals and frame. 500 V rms between terminals..
Electrical life:	2 position switches - 60,000 cycles minimum. 3 position switches - 30,000 cycles minimum.
Operating temperature range:	-30°C to +85°C
Washing:	Permissible with water, detergents and freons.

MATERIALS

Contacts & Terminals:	Gold or silver plated brass
Actuator:	Nickel plated brass
Bracket:	Tin plated steel
Case:	PBT
Terminal seal:	Epoxy

ABOUT THIS SERIES

The material in this series is organized in the following sequence:

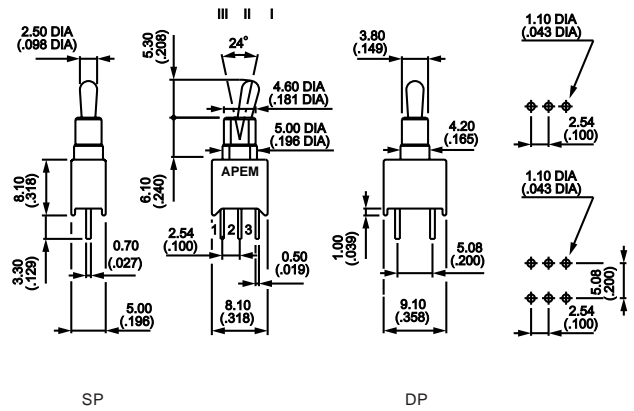
- Completely specified switch models
- 'build your own switch' order format
- Option drawings & special options

TL SERIES - WASHABLE TINY TOGGLE SWITCHES, P.C. MOUNTING

Straight p.c. terminals - gold plated brass contacts



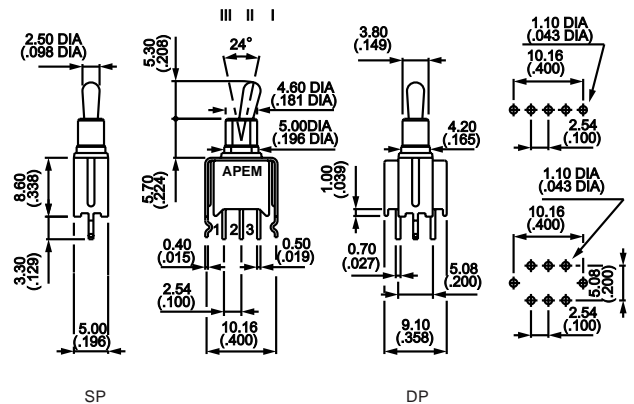
SINGLE POLE MODEL NO.	DOUBLE POLE MODEL NO.	CIRCUIT
TL36P000000	TL46P000000	ON - ON
TL39P000000	TL49P000000	ON OFF ON
TL37P000000	TL47P000000	MOM OFF MOM
TL38P000000	TL48P000000	ON OFF MOM
TL32P000000	TL42P000000	ON - MOM
Handle position (see dwg.):		III II I
Terminals connected: SP & DP		2-3 2-1
		DP 5-6 4-5



Straight p.c. terminals - mounting bracket - gold plated brass contacts



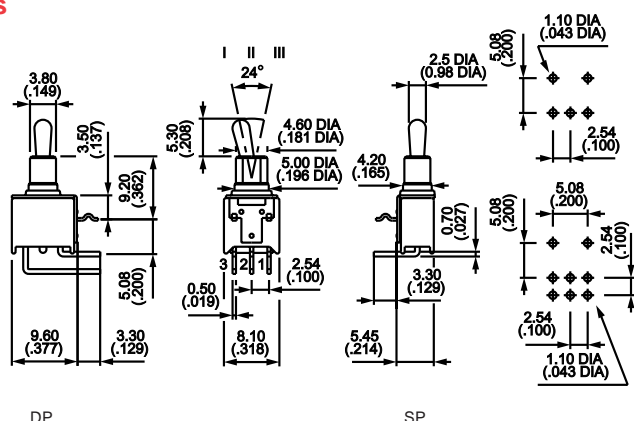
SINGLE POLE MODEL NO.	DOUBLE POLE MODEL NO.	CIRCUIT
TL36Y000050	TL46Y000050	ON - ON
TL39Y000050	TL49Y000050	ON OFF ON
TL37Y000050	TL47Y000050	MOM OFF MOM
TL38Y000050	TL48Y000050	ON OFF MOM
TL32Y000050	TL42Y000050	ON - MOM
Handle position (see dwg.):		III II I
Terminals connected: SP & DP		2-3 2-1
		DP 5-6 4-5



Horizontal right angle terminals - gold plated brass contacts



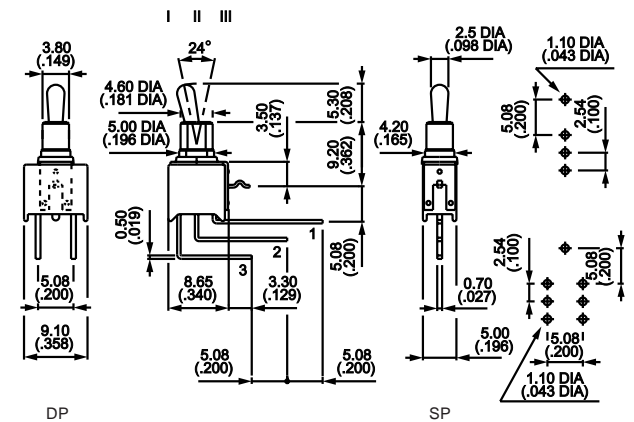
SINGLE POLE MODEL NO.	DOUBLE POLE MODEL NO.	CIRCUIT
TL36W000050	TL46W000050	ON - ON
TL39W000050	TL49W000050	ON OFF ON
TL37W000050	TL47W000050	MOM OFF MOM
TL38W000050	TL48W000050	ON OFF MOM
TL32W000050	TL42W000050	ON - MOM
Handle position (see dwg.):		III II I
Terminals connected: SP & DP		2-3 2-1
		DP 5-6 4-5



Vertical right angle terminals - gold plated brass contacts



SINGLE POLE MODEL NO.	DOUBLE POLE MODEL NO.	CIRCUIT
TL36WW000050	TL46WW000050	ON - ON
TL39WW000050	TL49WW000050	ON OFF ON
TL37WW000050	TL47WW000050	MOM OFF MOM
TL38WW000050	TL48WW000050	ON OFF MOM
TL32WW000050	TL42WW000050	ON - MOM
Handle position (see dwg.):		III II I
Terminals connected: SP & DP		2-3 2-1
		DP 5-6 4-5



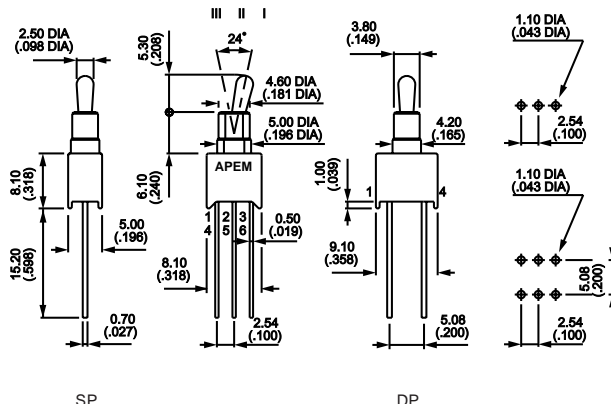
SPECIFICATIONS SUBJECT TO CHANGE WITHOUT NOTICE

TL SERIES - WASHABLE TINY TOGGLE SWITCHES, P.C. MOUNTING

Wire-wrap terminals - gold plated brass contacts



SINGLE POLE MODEL NO.	DOUBLE POLE MODEL NO.	CIRCUIT		
TL36MW00000	TL46MW00000	ON	-	ON
TL39MW00000	TL49MW00000	ON	OFF	ON
TL37MW00000	TL47MW00000	MOM	OFF	MOM
TL38MW00000	TL48MW00000	ON	OFF	MOM
TL32MW00000	TL42MW00000	ON	-	MOM
Handle position (see dwg.):		III	II	I
Terminals connected:		SP & DP	2-3	2-1
		DP	5-6	4-5



Additional ordering information: Commonly ordered models are shown above with complete model numbers and specifications. Below is an order format that enables you to 'build your own switch' and specify the correct switch model number by simply selecting from all available options shown and filling in the boxes.

'BUILD YOUR OWN SWITCH' ORDER FORMAT

Fill in boxes with selections shown for **Model Structure**, then add **Options** selections for complete model number. (Allowable options are shown below each respective box).

Model Structure:

Series	Number of poles	Electrical functions	Terminals
<input type="text" value="T"/> <input type="text" value="L"/>	<input type="text" value="3"/>	<input type="text" value="6"/> ON - ON	<input type="text" value="P"/> <input type="text" value="0"/>
	3 Single pole	6 ON - ON	P 0 Straight p.c.
	4 Double pole	9 ON OFF ON	Y 0 Straight p.c.with bracket
		7 MOM OFF MOM	W 0 Horizontal right angle
		8 ON OFF MOM	W W Vertical right angle
		2 ON - MOM	M W Wire-wrap

Options:

Contact & terminal mat'ls.

- 0 Brass, gold plated
- 1 Brass, silver plated
- 3 Brass, gold plated - (1.27 microns gold)
- 8 Brass, gold plated contacts with tin plated terminals
- 9 Contacts brass, gold plated - (1.27 microns gold) and tin plated terminals

Actuators & case colors

Specify **00, 01, 02, 03, 04, 05, 30, 40, 50, 51, 52, 53, 54, 55, 56, 90, or 94**
See drawings below with specifications and dimensions.

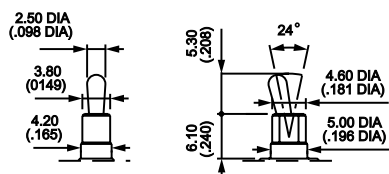
Special options

- 0 0 No special requirement
 - 5 0 Crimped bracket terminals - specify for models with brackets
- See additional listings on following page.

Example of completely specified model number: **TL36W015150**

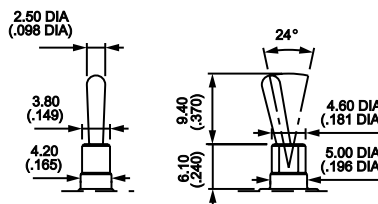
OPTION DRAWINGS

Brass actuators & case colors



Short (standard)

	Blue case	Black case
nickel plated	00	50
matte black	01	51



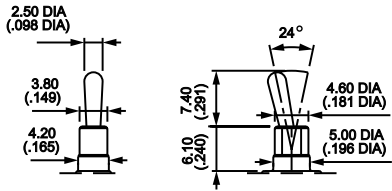
Long

	Blue case	Black case
nickel plated	02	52
matte black	03	53

SPECIFICATIONS SUBJECT TO CHANGE WITHOUT NOTICE

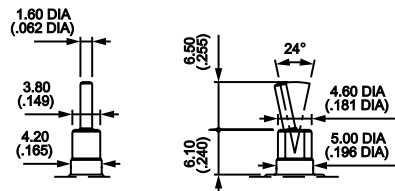
TL SERIES - WASHABLE TINY TOGGLE SWITCHES, P.C. MOUNTING

Brass actuators & case colors (cont'd.)



Medium

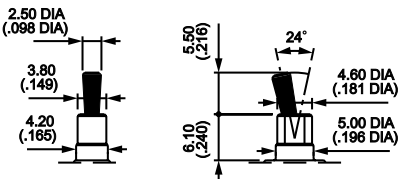
	Blue case	Black case
nickel plated	04	54
matte black	05	55



Cylindrical

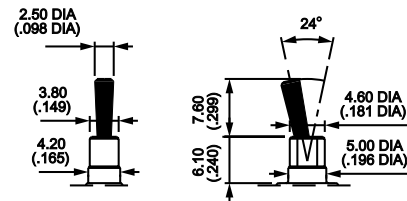
	Black case
nickel plated	56

Black plastic insulative actuators & case colors (protects against electrostatic discharges (ESD) up to 10 KV)



Short

	Blue case	Black case
nickel plated	40	94

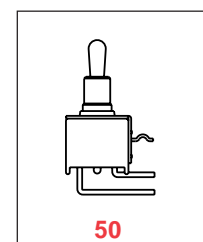
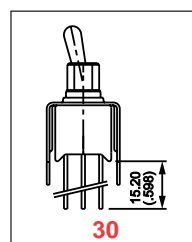
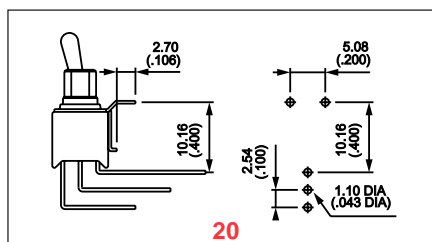
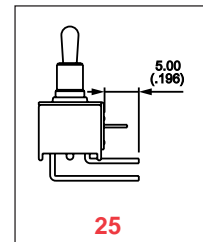
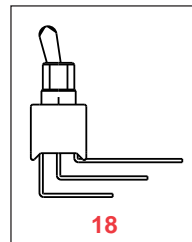
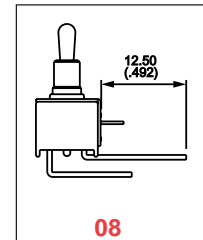
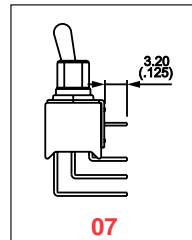


Long

	Blue case	Black case
nickel plated	30	90

SPECIAL OPTIONS

- 00** No special requirement
- 07** Trimmed terminals for **WW** models only - .125" (3.2mm).
- 08** Extended terminals for **W0** models only.
- 18** **WW** models without mounting bracket.
- 20** Mounting bracket for **WW** models with p.c. board spacer tab.
- 25** Trimmed terminals for all models except **WW** - .196" (5mm).
- 30** Wire-wrap terminals on models with **Y** bracket.
- 50** Crimped bracket terminals (retains switch on p.c. board during assembly and soldering). For models with **W0**, **WW** & **Y0** terminals.



SPECIFICATIONS SUBJECT TO CHANGE WITHOUT NOTICE

S SERIES - WASHABLE MINIATURE TOGGLE SWITCHES, P.C. MOUNTING



FEATURES

- Wave solderable.
- Fully sealed for process compatibility.
- SPDT & DPDT models.
- Compact case size with ESD protection options.
- Agency recognition (see below).

SPECIFICATIONS

Contact ratings (resistive loads):	Gold plated brass; 0.4 Volt-Amps max. at 20 V max. Silver; 2 Amps at 250 VAC, 5 Amps at 125 VAC or 4 Amps at 30 VDC. Gold plated silver; 2 Amps at 250 VAC, 5 Amps at 125 VAC or 4 Amps at 30 VDC. Gold plating withstands up to 300 mA at 30 VDC.
Initial contact resistance:	10 milliohms maximum
Insulation resistance:	1000 megohms minimum
Dielectric strength:	1000 V rms minimum
Electrical life:	Gold: 2 positions - 100,000 cycles min. 3 positions - 50,000 cycles min. Silver: 40,000 cycles minimum.
Operating temperature range:	-20°C to +85°C
Washing:	Permissible with water, detergents and freons.

MATERIALS

Contacts & Terminals:	Gold plated brass, silver or gold plated silver
Actuator:	Chrome plated brass
Bracket:	Tin plated steel
Case:	UL94V-0 - Polyamide, glass filled or PES
Terminal seal:	Epoxy

AGENCY RECOGNITION



UL, CECC, GAM T1 (military)
 Availability: consult factory for details of recognized models.
 Marking: to order switches marked UL or CECC, complete the appropriate box of the ordering format.
 GAM T1 listing does not appear on the switches.

ABOUT THIS SERIES

The material in this series is organized in the following sequence:

- Completely specified switch models
- 'build your own switch' order format
- Option drawings & special options
- Miscellaneous

S SERIES - WASHABLE MINIATURE TOGGLE SWITCHES, P.C. MOUNTING

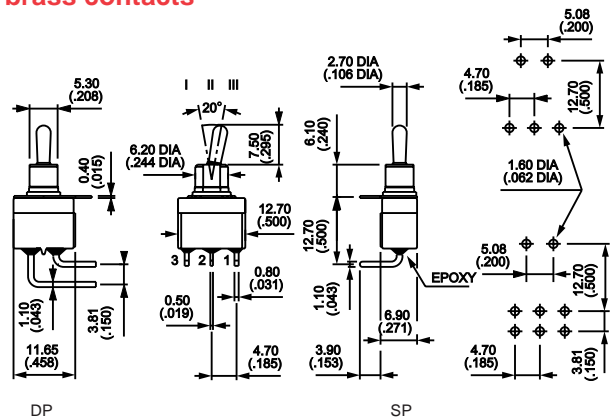
A

Horizontal right angle terminals - .185" spacing - gold plated brass contacts



SINGLE POLE MODEL NO.	DOUBLE POLE MODEL NO.	CIRCUIT		
SW236CD7	SW246CD7	ON	-	ON
SW239CD7	SW249CD7	ON	OFF	ON
SW237CD7	SW247CD7	MOM	OFF	MOM
SW238CD7	SW248CD7	ON	OFF	MOM
SW232CD7	SW242CD7	ON	-	MOM
-	SW244THCD7*	ON	ON	ON
Handle position (see dwg.):		III	II	I
Terminals connected: SP & DP		2-3		2-1
		5-6		4-5

* Function 4: SP in DP case - see diagram at end of section.



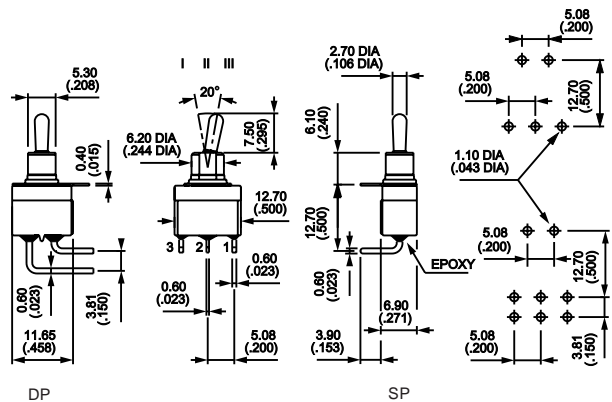
SPECIFICATIONS SUBJECT TO CHANGE WITHOUT NOTICE

Horizontal right angle terminals - .200" spacing - gold plated brass contacts



SINGLE POLE MODEL NO.	DOUBLE POLE MODEL NO.	CIRCUIT		
SW036CD7	SW046CD7	ON	-	ON
SW039CD7	SW049CD7	ON	OFF	ON
SW037CD7	SW047CD7	MOM	OFF	MOM
SW038CD7	SW048CD7	ON	OFF	MOM
SW032CD7	SW042CD7	ON	-	MOM
-	SW044THCD7*	ON	ON	ON
Handle position (see dwg.):		III	II	I
Terminals connected: SP & DP		2-3		2-1
		5-6		4-5

* Function 4: SP in DP case - see diagram at end of section.

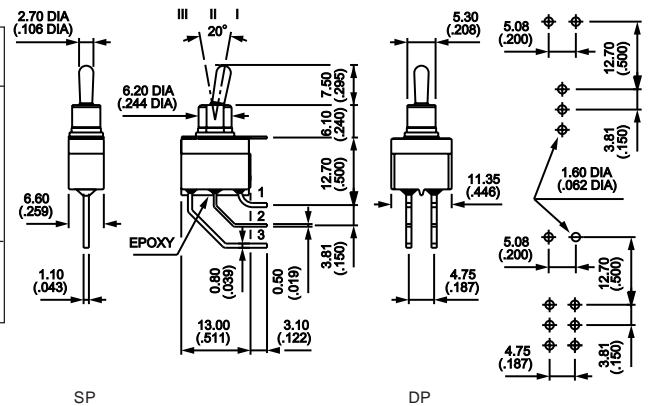


Vertical right angle terminals - gold plated brass contacts



SINGLE POLE MODEL NO.	DOUBLE POLE MODEL NO.	CIRCUIT		
SWW236CD7	SWW246CD7	ON	-	ON
SWW239CD7	SWW249CD7	ON	OFF	ON
SWW237CD7	SWW247CD7	MOM	OFF	MOM
SWW238CD7	SWW248CD7	ON	OFF	MOM
SWW232CD7	SWW242CD7	ON	-	MOM
-	SWW244THCD7*	ON	ON	ON
Handle position (see dwg.):		III	II	I
Terminals connected: SP & DP		2-3		2-1
		5-6		4-5

* Function 4: SP in DP case - see diagram at end of section.

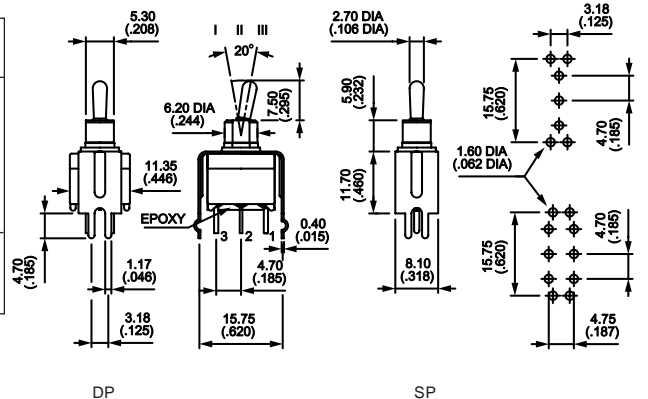


Straight p.c. terminals - mounting bracket - gold plated brass contacts



SINGLE POLE MODEL NO.	DOUBLE POLE MODEL NO.	CIRCUIT		
SY236CD7	SY246CD7	ON	-	ON
SY239CD7	SY249CD7	ON	OFF	ON
SY237CD7	SY247CD7	MOM	OFF	MOM
SY238CD7	SY248CD7	ON	OFF	MOM
SY232CD7	SY242CD7	ON	-	MOM
-	SY244THCD7*	ON	ON	ON
Handle position (see dwg.):		III	II	I
Terminals connected: SP & DP		2-3		2-1
		5-6		4-5

* Function 4: SP in DP case - see diagram at end of section.



S SERIES - WASHABLE MINIATURE TOGGLE SWITCHES, P.C. MOUNTING

Additional ordering information: Commonly ordered models are shown above with complete model numbers and specifications. Below is an order format that enables you to 'build your own switch' and specify the correct switch model number by simply selecting from all available options shown and filling in the boxes.

'BUILD YOUR OWN SWITCH' ORDER FORMAT

Fill in boxes with selections shown for **Model Structure**, then add **Options** selections for complete model number. Allowable options are shown below each respective box.
 Note: 'NONE' indicates box may be left empty.

Model Structure:

Series	Terminals	Bushing & terminals	Number of poles	Electrical functions
S				
W	horizontal rt. angle mtg.	2 Terminal spacing .185" (4,7mm) or .150" (3,81mm)	3 Single pole 4 Double pole	6 ON - ON 9 ON OFF ON 7 MOM OFF MOM 8 ON OFF MOM 2 ON - MOM 4 T H ON ON ON
W W	vertical rt. angle mtg.	0 Terminal spacing .200" (5,08mm) (SY & SW models)		
Y	Bracket mtg.	All models have plain bushing		

Options:

Contact materials	Actuators	Agency recognition	Special options
A Silver A D Silver, gold plated C D Brass, gold plated	7 Short (standard) 1 3 Long Insulated actuators: 1 1 Long 8 Short	(NONE) U L C E C C Consult factory for availability.	(NONE) F X 6 0 1 X 6 9 6 Tin plated terminals Silver plated brass contacts Longer bushing (for insulated actuators)

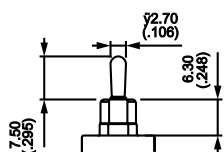
Examples of completely specified model numbers:
SW236CD7, SW244THAD11ULX696

Although most combinations of options are available, some may result in incompatibilities. Consult factory if there is any question.

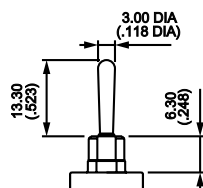
OPTION DRAWINGS

ACTUATORS

CHROME PLATED BRASS



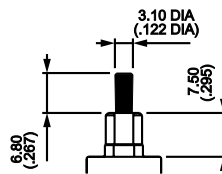
7 Standard



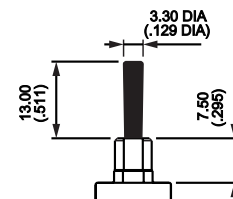
13 Long

INSULATED

Protects against electrostatic discharges (ESD) up to 12 KV.
 Color: black Note: must be ordered with option X696.



8 Short



11 Long

SPECIAL OPTIONS

- F** Tin plated terminals.
- X601** Silver plated brass contacts. Lower rating. Minimum quantity: 5000 pcs.
- X696** Longer bushing - .295" (7.5mm). Specify for actuators **8** and **11**.

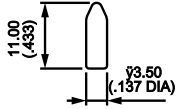
SPECIFICATIONS SUBJECT TO CHANGE WITHOUT NOTICE

S SERIES - WASHABLE MINIATURE TOGGLE SWITCHES, P.C. MOUNTING

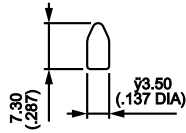
A

OPTION DRAWINGS & MISCELLANEOUS

INSULATING CAPS (replace '0' in part numbers with color code)



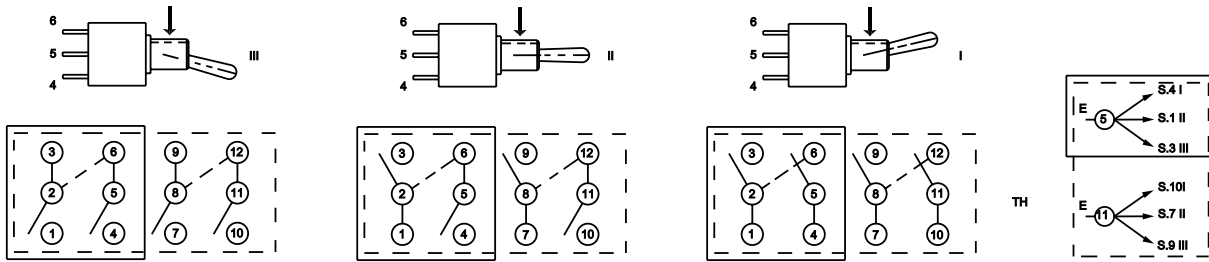
U270 For actuator 13



U1710 For actuator 7

- | | |
|-----|--------|
| 1 | blue |
| 2 | black |
| 3 | green |
| 4 | grey |
| 5 | yellow |
| 6 | red |
| 7/1 | white |
| 9 | orange |

WIRING for function 4 switch



Above diagrams are viewed from bottom of switch.

Equivalent to single pole 3 throw switch. Dotted lines between terminals 2 & 6 and 8 & 12 indicate external jumpers to be added by customer

SPECIFICATIONS SUBJECT TO CHANGE WITHOUT NOTICE

SF SERIES - WASHABLE MINIATURE TOGGLE SWITCHES, PANEL MTG.



FEATURES

- Insulated threaded bushing.
- Fully sealed for process compatibility.
- SPDT models.
- Compact case size with ESD protection options.
- Agency recognition (see below).

SPECIFICATIONS

Contact ratings (resistive loads):	Gold plated brass; 0.4 Volt-Amps max. at 20 V max. Silver; 2 Amps at 250 VAC, 5 Amps at 125 VAC or 4 Amps at 30 VDC. Gold plated silver; 2 Amps at 250 VAC, 5 Amps at 125 VAC or 4 Amps at 30 VDC. Gold plating withstands up to 300 mA at 30 VDC.
Initial contact resistance:	10 milliohms maximum
Insulation resistance:	1000 megohms minimum
Dielectric strength:	1000 V rms minimum
Electrical life:	Gold: 2 positions - 100,000 cycles min. 3 positions - 50,000 cycles min. Silver: 40,000 cycles minimum.
Operating temperature range:	-20°C to +85°C
Washing:	Permissible with water, detergents and freons.

MATERIALS

Contacts & Terminals:	Gold plated brass, silver or gold plated silver
Actuator:	Chrome plated brass
Bracket:	Tin plated steel
Case:	UL94V-0 - Polyamide, glass filled or PES
Terminal seal:	Epoxy
Hardware:	Supplied with 2 Hex Nuts .314" (8mm) across flats, 1 Locking Ring & 1 Lockwasher. See hardware section of catalog.

AGENCY RECOGNITION



UL, CECC, GAM T1 (military)
 Availability: consult factory for details of recognized models.
 Marking: to order switches marked UL or CECC, complete the appropriate box of the ordering format.
 GAM T1 listing does not appear on the switches.

ABOUT THIS SERIES

The material in this series is organized in the following sequence:

- Completely specified switch models
- 'build your own switch' order format
- Option drawings
- Miscellaneous

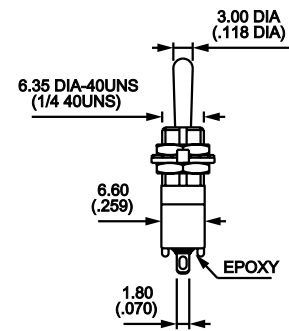
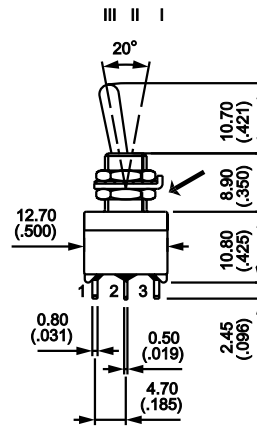
SF SERIES - WASHABLE MINIATURE TOGGLE SWITCHES, PANEL MOUNTING

A

Solder lug terminals - silver contacts



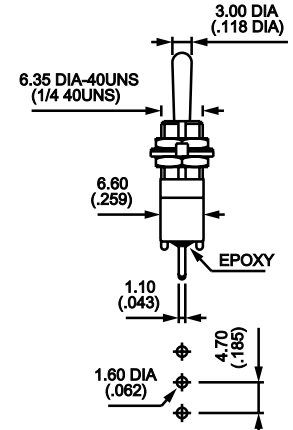
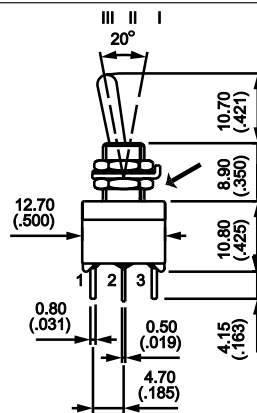
SINGLE POLE MODEL NO.	CIRCUIT		
SF36S0100	ON	-	ON
SF39S0100	ON	OFF	ON
SF37S0100	MOM	OFF	MOM
SF38S0100	ON	OFF	MOM
SF32S0100	ON	-	MOM
Handle pos. (see dwg.):	III	II	I
Terminals connected:	2-3		2-1



Straight p.c. terminals - gold plated brass contacts



SINGLE POLE MODEL NO.	CIRCUIT		
SF36P0000	ON	-	ON
SF39P0000	ON	OFF	ON
SF37P0000	MOM	OFF	MOM
SF38P0000	ON	OFF	MOM
SF32P0000	ON	-	MOM
Handle pos. (see dwg.):	III	II	I
Terminals connected:	2-3		2-1



Additional ordering information: Commonly ordered models are shown above with complete model numbers and specifications. Below is an order format that enables you to 'build your own switch' and specify the correct switch model number by simply selecting from all available options shown and filling in the boxes.

'BUILD YOUR OWN SWITCH' ORDER FORMAT

Fill in boxes with selections shown for **Model Structure**, then add **Options** selections for complete model number. Allowable options are shown below each respective box.

Model Structure:

Series	Number of poles	Electrical functions	Terminals
S F	3	□	□ □
	Single pole		
		6 ON - ON	S 0 Solder lug terminals
		9 ON OFF ON	P 0 Straight p.c. terminals
		7 MOM OFF MOM	
		8 ON OFF MOM	
		2 ON - MOM	

Options:

Contact & terminal materials	Actuators	Model	Insulating Cap
□	□ □	0 0	□ □
0 Brass, gold plated	0 0 Long (standard)	Standard	1 0*
1 Silver	0 1 Short		* - Specify color - see next page
2 Silver, gold plated			
5 Special contact, lower rating	Insulated actuators:		
8 Brass, gold plated contacts with tin plated terminals	0 8 Short		
	1 1 Long		

Example of completely specified model number:
SF37S01000012

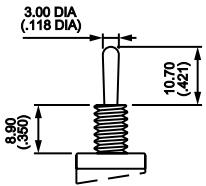
SPECIFICATIONS SUBJECT TO CHANGE WITHOUT NOTICE

SF SERIES - WASHABLE MINIATURE TOGGLE SWITCHES, PANEL MTG.

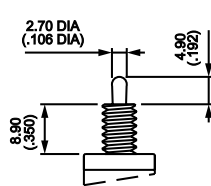
OPTION DRAWINGS & MISCELLANEOUS

ACTUATORS

Chrome plated brass



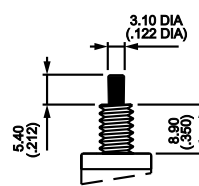
00 Standard



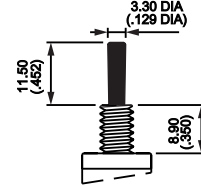
01 Short

INSULATED LEVERS

Insulates against electrostatic discharges (ESD) up to 12 KV. Color: black



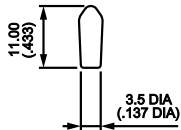
08 Short



11 Long

INSULATING CAPS (replace '0' in part numbers with color code)

For actuator 00 only

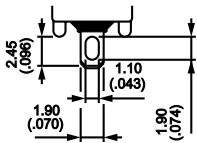


10

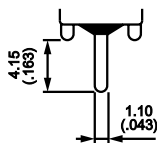
U270 If ordered separately

- 1 blue
- 2 black
- 3 green
- 4 grey
- 5 yellow
- 6 red
- 7/1 white
- 9 orange

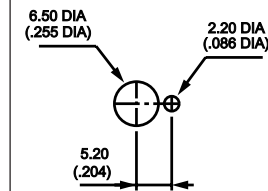
MISCELLANEOUS



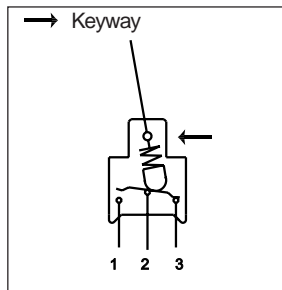
Solder lug terminal



P.C. terminal



Panel Cut-out



SPECIFICATIONS SUBJECT TO CHANGE WITHOUT NOTICE

5000 SERIES - MINIATURE TOGGLE SWITCHES

A

SPECIFICATIONS SUBJECT TO CHANGE WITHOUT NOTICE



FEATURES

- Broadest selection offered in miniature switches.
- SPDT, DPDT, 3PDT & 4PDT models with numerous options.
- Numerous configurations for panel, panel & p.c. and p.c. mounting.
- Extensive agency recognition (see below).

SPECIFICATIONS

Contact ratings (resistive loads):	Gold plated brass; 0.4 Volt-Amps max. at 20 V max. Silver; 3 Amps at 250 VAC, 6 Amps at 125 VAC or 4 Amps at 30 VDC Gold plated silver; 3 Amps at 250 VAC, 6 Amps at 125 VAC or 4 Amps at 30 VDC. Gold plating withstands up to 100 mA at 30 VDC.
Initial contact resistance:	10 milliohms maximum
Insulation resistance:	1000 megohms min. at 500 VDC
Dielectric strength:	1000 V rms min. - between terminals 1500 V rms min. - between poles and terminals and frame
Electrical life:	Gold: 100,000 cycles min. Silver (at full load): SP & DP - 50,000 cycles min. 3P: 40,000 cycles min. 4P: 30,000 cycles min.
Operating temperature range:	-40°C to +85°C

MATERIALS

Contacts & Terminals:	Gold plated brass, silver or gold plated silver
Actuator:	Chrome plated brass
Bushing:	Nickel plated brass
Housing:	Stainless steel or tin plated steel
Case:	Diallyl phthalate (DAP)
Terminal seal:	Epoxy
Hardware:	Panel mounting models supplied with 2 Hex Nuts .314" (8mm) across flats, 1 Locking Ring & 1 Lockwasher. See hardware section of catalog.

AGENCY RECOGNITION



UL, CSA, CECC, LNZ, GAM T1, QPL (Europe), MUAHAG, NATO. Availability: Consult factory for details of recognized models. Marking: To order switches marked UL, CSA or CECC, complete the appropriate box of the ordering format. Other listings do not appear on the switches.

ABOUT THIS SERIES

The material in this series is organized in the following sequence:

- Completely specified switch models:
 - Panel mounting
 - Panel and/or p.c. mounting
 - P.C. mounting
- 'build your own switch' order format
- Option drawings & special options
- Panel cut-outs & miscellaneous

ALSO IN THIS SERIES

5000 Series switches for peak currents - for switching power supplies, DC-DC converters, motors, etc. See specifications on last page of completely specified models.

VDE approved 5000 Series models - see 55000 Series following.

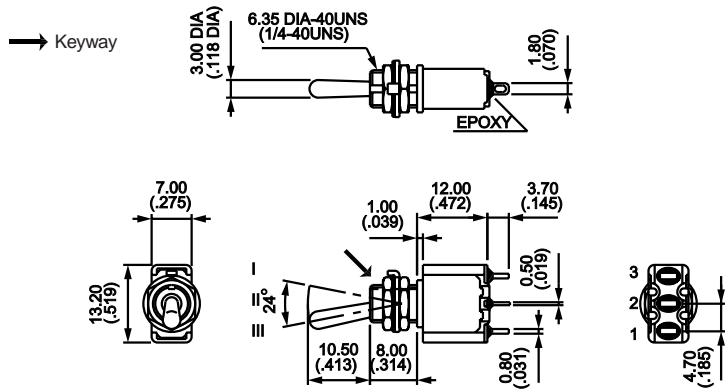


5000 SERIES - MINIATURE TOGGLE SWITCHES

Single pole - standard actuator - 1/4-40 threaded bushing - solder lug terminals - silver contacts



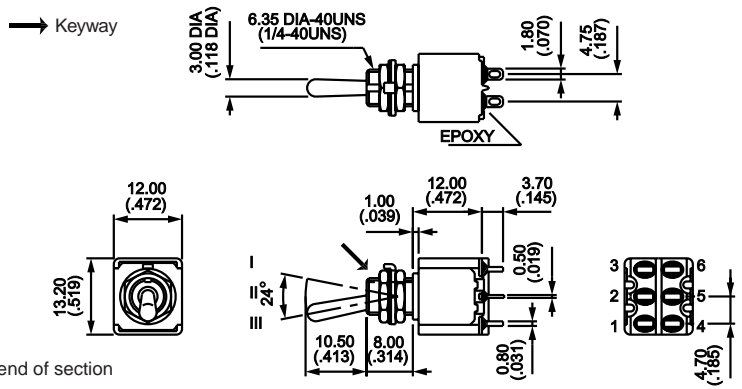
MODEL NO.	CIRCUIT		
5636AB	ON	-	ON
5639AB	ON	OFF	ON
5637AB	MOM	OFF	MOM
5638AB	ON	OFF	MOM
5632AB	ON	-	MOM
Handle position (see dwg.):	III	II	I
Terminals connected:	2-3		1-2



Double pole - standard actuator - 1/4-40 threaded bushing - solder lug terminals - silver contacts



MODEL NO.	CIRCUIT		
5646AB	ON	-	ON
5649AB	ON	OFF	ON
5647AB	MOM	OFF	MOM
5648AB	ON	OFF	MOM
5642AB	ON	-	MOM
5644THAB*	ON	ON	ON
5644TH1RAB*	ON	ON	MOM
5644TH2RAB*	MOM	ON	MOM
Handle position (see dwg.):	III	II	I
Terminals connected:	2-3		1-2
	5-6		4-5

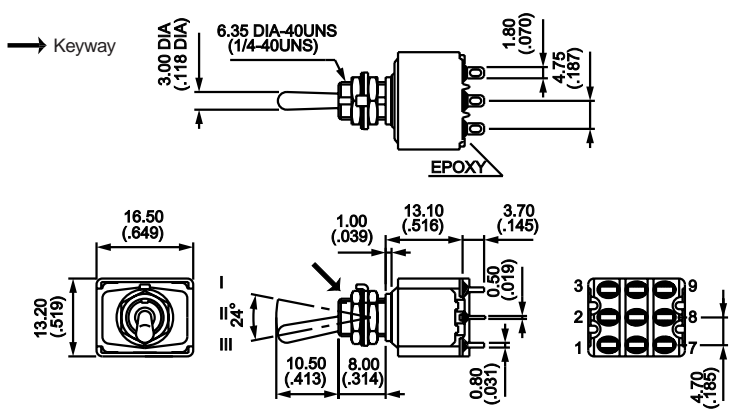


* Function 4: SP in DP case. see diagram at end of section

Three pole - standard actuator - 1/4-40 threaded bushing - solder lug terminals - silver contacts



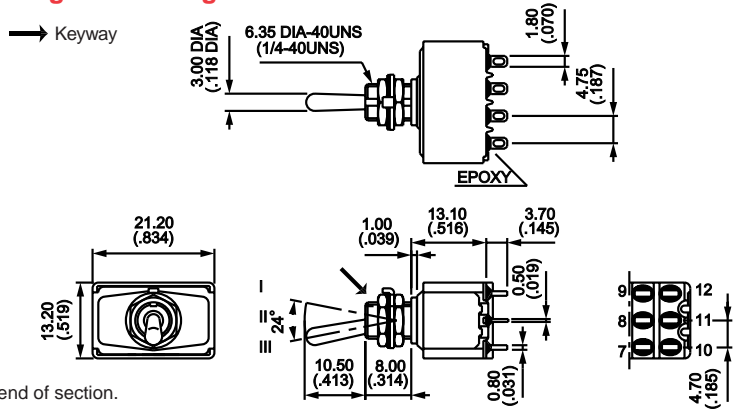
MODEL NO.	CIRCUIT		
5656AB	ON	-	ON
5659AB	ON	OFF	ON
5657AB	MOM	OFF	MOM
5658AB	ON	OFF	MOM
5652AB	ON	-	MOM
Handle position (see dwg.):	III	II	I
Terminals connected:	2-3		1-2
	5-6		4-5
	8-9		7-8



Four pole - standard actuator - 1/4-40 threaded bushing - solder lug terminals - silver contacts



MODEL NO.	CIRCUIT		
5666AB	ON	-	ON
5669AB	ON	OFF	ON
5667AB	MOM	OFF	MOM
5668AB	ON	OFF	MOM
5662AB	ON	-	MOM
5664THAB*	ON	ON	ON
5664TH1RAB*	ON	ON	MOM
5664TH2RAB*	MOM	ON	MOM
Handle position (see dwg.):	III	II	I
Terminals connected:	2-3		1-2
	5-6		4-5
	8-9		7-8
	11-12		10-11



* Function 4: SP in DP case. see diagram at end of section.

SPECIFICATIONS SUBJECT TO CHANGE WITHOUT NOTICE

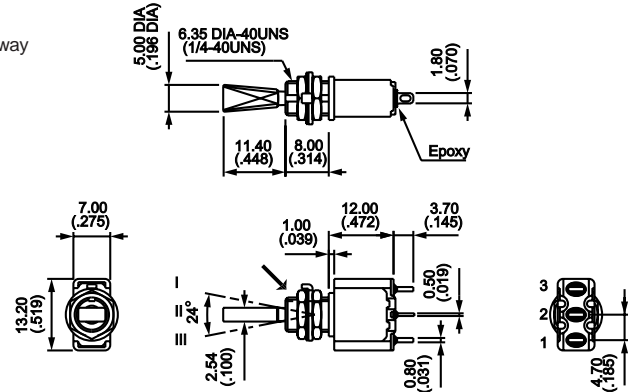
5000 SERIES - MINIATURE TOGGLE SWITCHES

Single pole - flatted actuator - 1/4-40 threaded bushing - solder lug terminals - silver contacts



MODEL NO.	CIRCUIT		
5636AB9	ON	-	ON
5639AB9	ON	OFF	ON
5637AB9	MOM	OFF	MOM
5638AB9	ON	OFF	MOM
5632AB9	ON	-	MOM
Handle position (see dwg.):	III	II	I
Terminals connected:	2-3		1-2

→ Keyway

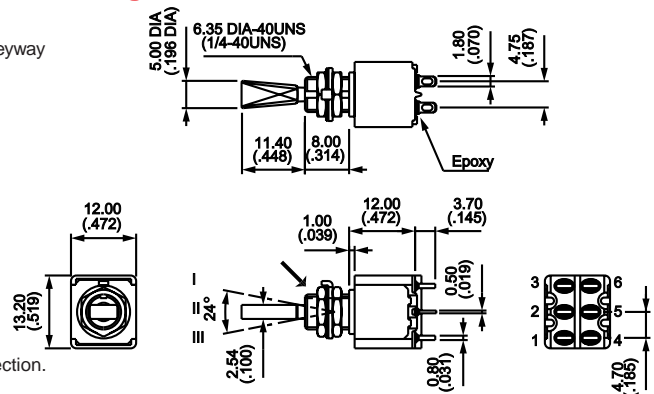


Double pole - flatted actuator - 1/4-40 threaded bushing - solder lug terminals - silver contacts



MODEL NO.	CIRCUIT		
5646AB9	ON	-	ON
5649AB9	ON	OFF	ON
5647AB9	MOM	OFF	MOM
5648AB9	ON	OFF	MOM
5642AB9	ON	-	MOM
5644THAB9*	ON	ON	ON
5644TH1RAB9*	ON	ON	MOM
5644TH2RAB9*	MOM	ON	MOM
Handle position:	III	II	I
Terminals connected:	2-3	1-2	4-5

→ Keyway



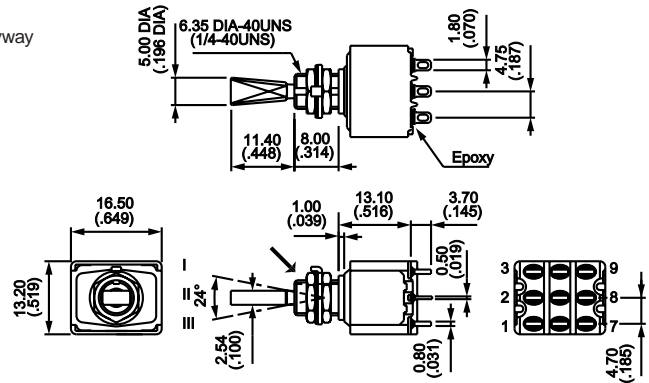
* Function 4: SP in DP case. see diagram at end of section.

Three pole - flatted actuator - 1/4-40 threaded bushing - solder lug terminals - silver contacts



MODEL NO.	CIRCUIT		
5656AB9	ON	-	ON
5659AB9	ON	OFF	ON
5657AB9	MOM	OFF	MOM
5658AB9	ON	OFF	MOM
5652AB9	ON	-	MOM
Handle position (see dwg.):	III	II	I
Terminals connected:	2-3	1-2	4-5
	8-9		7-8

→ Keyway

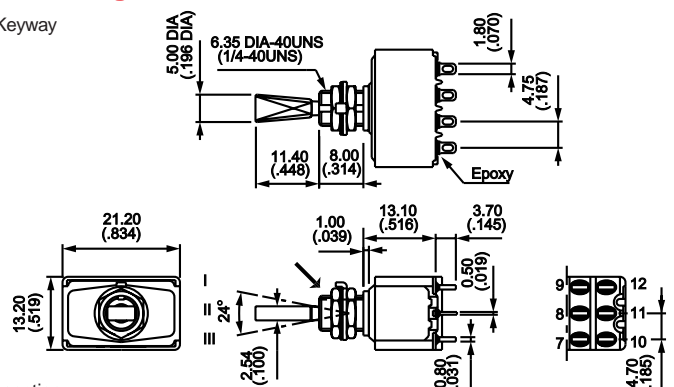


Four pole - flatted actuator - 1/4-40 threaded bushing - solder lug terminals - silver contacts



MODEL NO.	CIRCUIT		
5666AB9	ON	-	ON
5669AB9	ON	OFF	ON
5667AB9	MOM	OFF	MOM
5668AB9	ON	OFF	MOM
5662AB9	ON	-	MOM
5664THAB9*	ON	ON	ON
5664TH1RAB9*	ON	ON	MOM
5664TH2RAB9*	MOM	ON	MOM
Handle position	III	II	I
Terminals connected:	2-3	1-2	4-5
	8-9		7-8
	11-12		10-11

→ Keyway



* Function 4: SP in DP case. see diagram at end of section.

SPECIFICATIONS SUBJECT TO CHANGE WITHOUT NOTICE

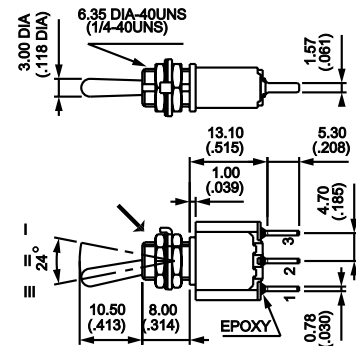
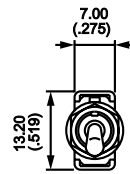
5000 SERIES - MINIATURE TOGGLE SWITCHES

Single pole - standard actuator - 1/4-40 threaded bushing - quick connect terminals - silver contacts



MODEL NO.	CIRCUIT		
5236ZA	ON	-	ON
5239ZA	ON	OFF	ON
5237ZA	MOM	OFF	MOM
5238ZA	ON	OFF	MOM
5232ZA	ON	-	MOM
Handle position (see dwg.):	III	II	I
Terminals connected:	2-3		1-2

→ Keyway

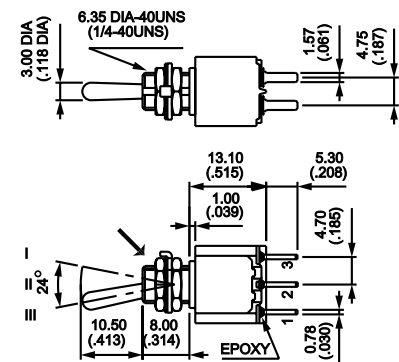
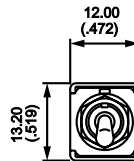


Double pole - standard actuator - 1/4-40 threaded bushing - quick connect terminals - silver contacts



MODEL NO.	CIRCUIT		
5246ZA	ON	-	ON
5249ZA	ON	OFF	ON
5247ZA	MOM	OFF	MOM
5248ZA	ON	OFF	MOM
5242ZA	ON	-	MOM
5244THZA*	ON	ON	ON
5244TH1RZA*	ON	ON	MOM
5244TH2RZA*	MOM	ON	MOM
Handle position (see dwg.):	III	II	I
Terminals connected:	2-3		1-2
	5-6		4-5

→ Keyway

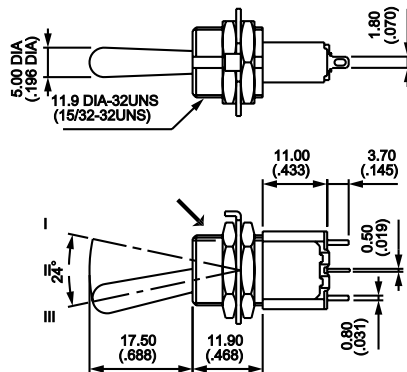


* Function 4: SP in DP case. see diagram at end of section.

Single pole - large actuator - 15/32-32 threaded bushing - solder lug terminals - silver contacts

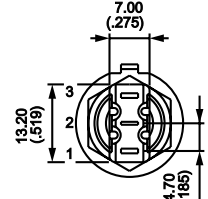


MODEL NO.	CIRCUIT		
5636MAB	ON	-	ON
5639MAB	ON	OFF	ON
5637MAB	MOM	OFF	MOM
5638MAB	ON	OFF	MOM
5632MAB	ON	-	MOM
Handle position (see dwg.):	III	II	I
Terminals connected:	2-3		1-2



→ Keyway

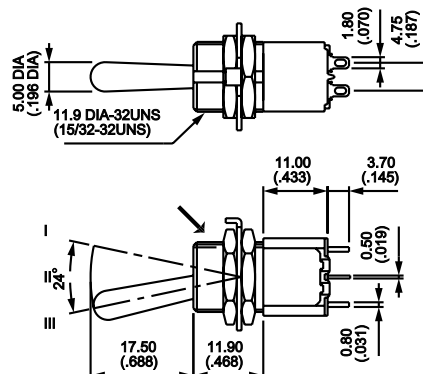
Epoxy terminal seal is standard on these models.



Double pole - large actuator - 15/32-32 threaded bushing - solder lug terminals - silver contacts

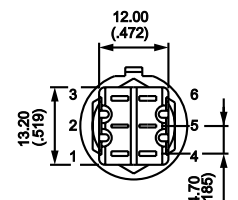


MODEL NO.	CIRCUIT		
5646MAB	ON	-	ON
5649MAB	ON	OFF	ON
5647MAB	MOM	OFF	MOM
5648MAB	ON	OFF	MOM
5642MAB	ON	-	MOM
5644MTHAB*	ON	ON	ON
5644MTH1RAB*	ON	ON	MOM
5644MTH2RAB*	MOM	ON	MOM
Handle position (see dwg.):	III	II	I
Terminals connected:	2-3		1-2
	5-6		4-5



→ Keyway

Epoxy terminal seal is standard on these models.



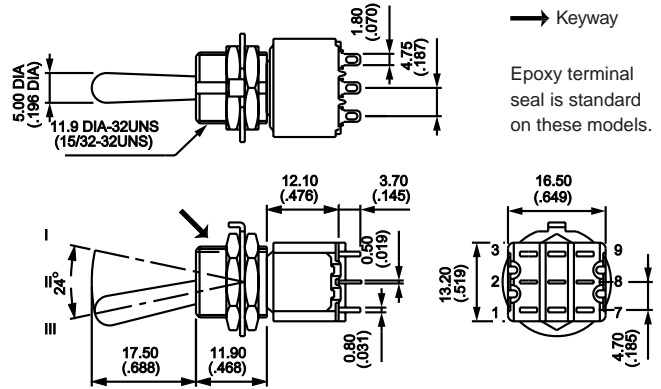
* Function 4: SP in DP case. see diagram at end of section.

5000 SERIES - MINIATURE TOGGLE SWITCHES

Three pole - large actuator - 15/32-32 threaded bushing - solder lug terminals - silver contacts



MODEL NO.	CIRCUIT		
5656MAB	ON	-	ON
5659MAB	ON	OFF	ON
5657MAB	MOM	OFF	MOM
5658MAB	ON	OFF	MOM
5652MAB	ON	-	MOM
Handle position (see dwg.):	III	II	I
Terminals connected:	2-3	1-2	5-6
	5-6	4-5	7-8

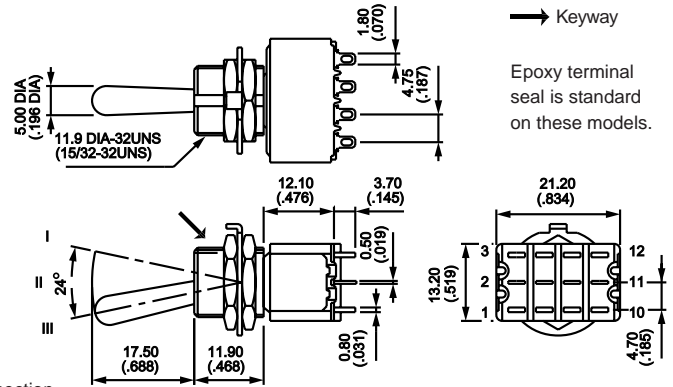


Four pole - large actuator - 15/32-32 threaded bushing - solder lug terminals - silver contacts



MODEL NO.	CIRCUIT		
5666MAB	ON	-	ON
5669MAB	ON	OFF	ON
5667MAB	MOM	OFF	MOM
5668MAB	ON	OFF	MOM
5662MAB	ON	-	MOM
5664MTHAB*	ON	ON	ON
5664MTH1RAB*	ON	ON	MOM
5664MTH2RAB*	MOM	ON	MOM
Handle position (see dwg.):	III	II	I
Terminals connected:	2-3	1-2	5-6
	8-9	7-8	11-12

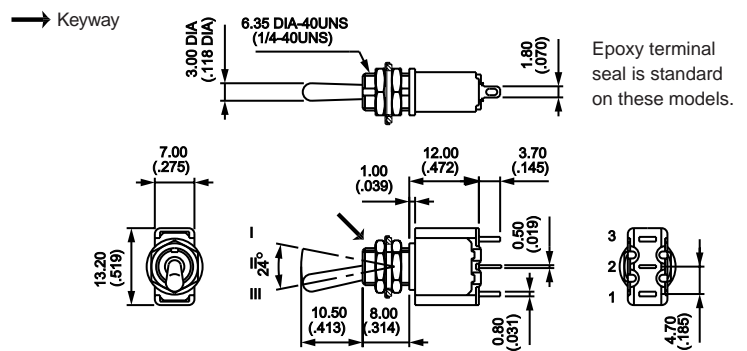
* Function 4: SP in DP case. see diagram at end of section.



Single pole - standard actuator - 1/4-40 splashproof bushing - solder lug terminals - silver contacts



MODEL NO.	CIRCUIT		
5636AKB	ON	-	ON
5639AKB	ON	OFF	ON
5637AKB	MOM	OFF	MOM
5638AKB	ON	OFF	MOM
5632AKB	ON	-	MOM
Handle position (see dwg.):	III	II	I
Terminals connected:	2-3	1-2	

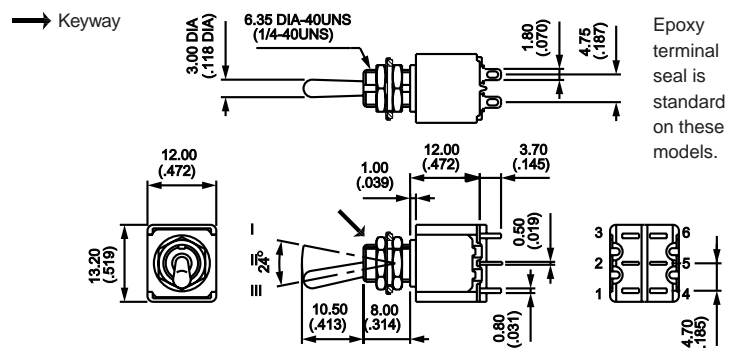


Double pole - standard actuator - 1/4-40 splashproof bushing - solder lug terminals - silver contacts



MODEL NO.	CIRCUIT		
5646AKB	ON	-	ON
5649AKB	ON	OFF	ON
5647AKB	MOM	OFF	MOM
5648AKB	ON	OFF	MOM
5642AKB	ON	-	MOM
5644THAKB*	ON	ON	ON
5644TH1RAKB*	ON	ON	MOM
5644TH2RAKB*	MOM	ON	MOM
Handle position:	III	II	I
Terminals connected:	2-3	1-2	5-6
	5-6	4-5	

* Function 4: SP in DP case. see diagram at end of section.



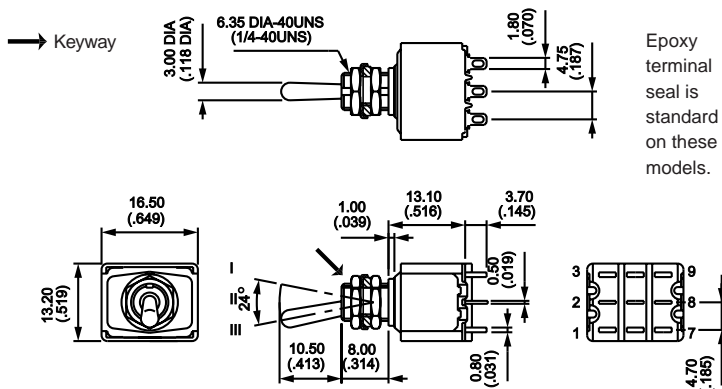
SPECIFICATIONS SUBJECT TO CHANGE WITHOUT NOTICE

5000 SERIES - MINIATURE TOGGLE SWITCHES

Three pole - standard actuator - 1/4-40 splashproof bushing - solder lug terminals - silver contacts



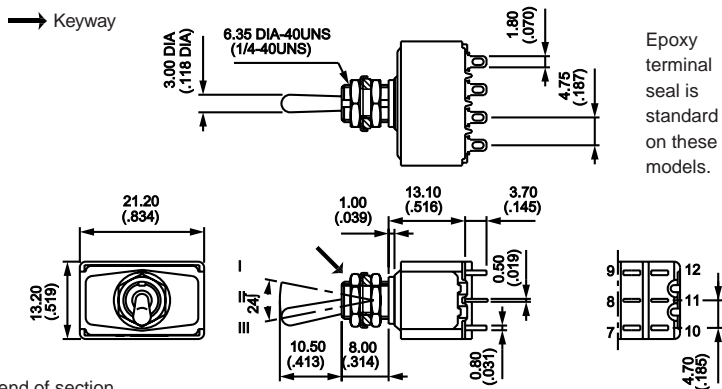
MODEL NO.	CIRCUIT		
5656AKB	ON	-	ON
5659AKB	ON	OFF	ON
5657AKB	MOM	OFF	MOM
5658AKB	ON	OFF	MOM
5652AKB	ON	-	MOM
Handle position (see dwg.):	III	II	I
Terminals connected:	2-3	5-6	1-2
	8-9	4-5	7-8



Four pole - standard actuator - 1/4-40 splashproof bushing - solder lug terminals - silver contacts



MODEL NO.	CIRCUIT		
5666AKB	ON	-	ON
5669AKB	ON	OFF	ON
5667AKB	MOM	OFF	MOM
5668AKB	ON	OFF	MOM
5662AKB	ON	-	MOM
5664THAKB*	ON	ON	ON
5664TH1RAKB*	ON	ON	MOM
5664TH2RAKB*	MOM	ON	MOM
Handle position (see dwg.):	III	II	I
Terminals connected:	2-3	5-6	1-2
	8-9	4-5	7-8
	11-12	10-11	

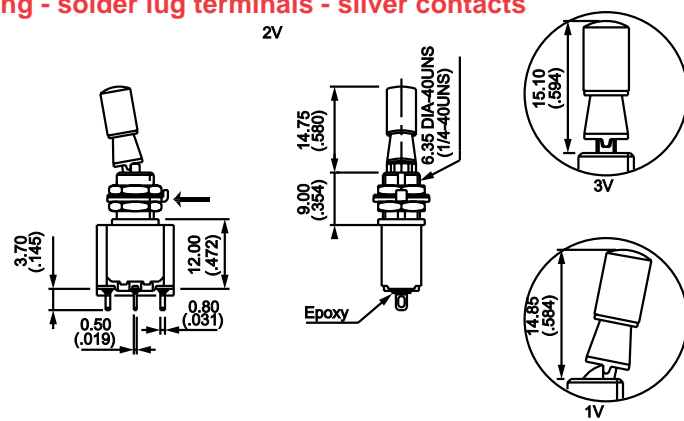


* Function 4: SP in DP case. see diagram at end of section.

Single pole - locking actuator - 1/4-40 threaded bushing - solder lug terminals - silver contacts



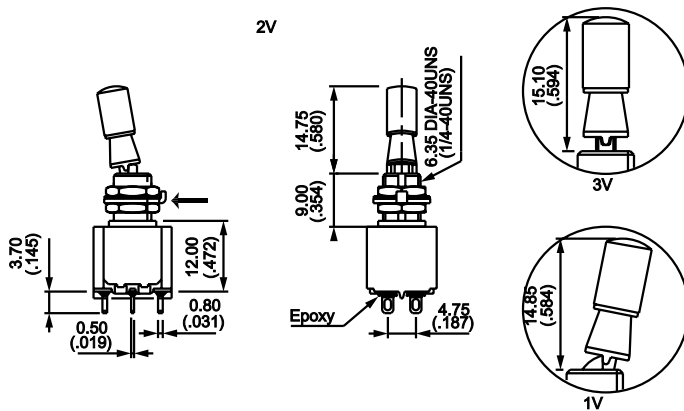
MODEL NO.	CIRCUIT		
1 locked position			
5636AB-1V	ON	-	ON
2 locked positions			
5636AB-2V	ON	-	ON
3 locked positions			
5639AB-3V	ON	OFF	ON
Handle position (see dwg.):	III	II	I
Terminals connected:	2-3		1-2



Double pole - locking actuator - 1/4-40 threaded bushing - solder lug terminals - silver contacts



MODEL NO.	CIRCUIT		
1 locked position			
5646AB-1V	ON	-	ON
2 locked positions			
5646AB-2V	ON	-	ON
3 locked positions			
5649AB-3V	ON	OFF	ON
Handle position (see dwg.):	III	II	I
Terminals connected:	2-3	5-6	1-2
			4-5



SPECIFICATIONS SUBJECT TO CHANGE WITHOUT NOTICE

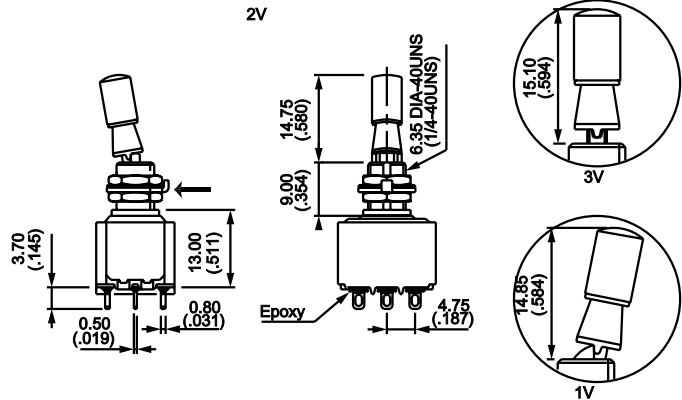
5000 SERIES - MINIATURE TOGGLE SWITCHES

Three pole - locking actuator - 1/4-40 threaded bushing - solder lug terminals - silver contacts



MODEL NO.	CIRCUIT		
1 locked position 5656AB-1V	ON	-	ON
2 locked positions 5656AB-2V	ON	-	ON
3 locked positions 5659AB-3V	ON	OFF	ON
Handle position (see dwg.):	III	II	I
Terminals connected:	2-3	1-2	
	5-6	4-5	
	8-9	7-8	

→ Keyway

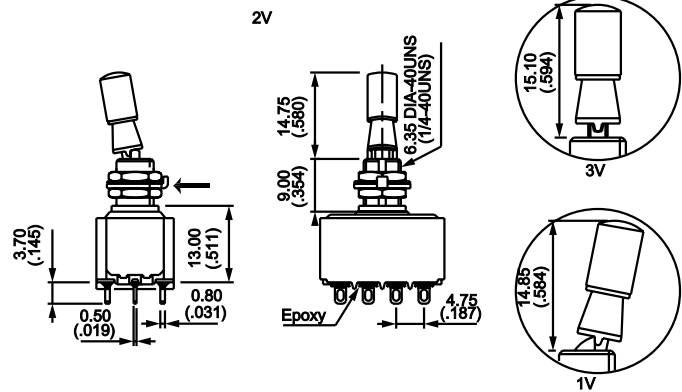


Four pole - locking actuator - 1/4-40 threaded bushing - solder lug terminals - silver contacts



MODEL NO.	CIRCUIT		
1 locked position 5666AB-1V	ON	-	ON
2 locked positions 5666AB-2V	ON	-	ON
3 locked positions 5669AB-3V	ON	OFF	ON
Handle position (see dwg.):	III	II	I
Terminals connected:	2-3	1-2	
	5-6	4-5	
	8-9	7-8	
	11-12	10-11	

→ Keyway

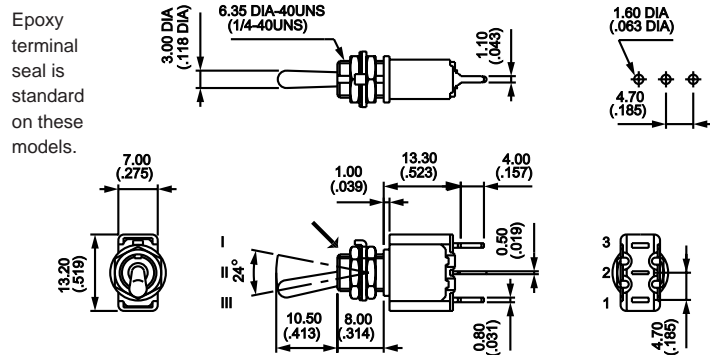


Single pole - standard actuator - 1/4-40 threaded bushing - straight p.c. terminals - gold contacts



MODEL NO.	CIRCUIT		
5236CDB	ON	-	ON
5239CDB	ON	OFF	ON
5237CDB	MOM	OFF	MOM
5238CDB	ON	OFF	MOM
5232CDB	ON	-	MOM
Handle position (see dwg.):	III	II	I
Terminals connected:	2-3	1-2	

→ Keyway



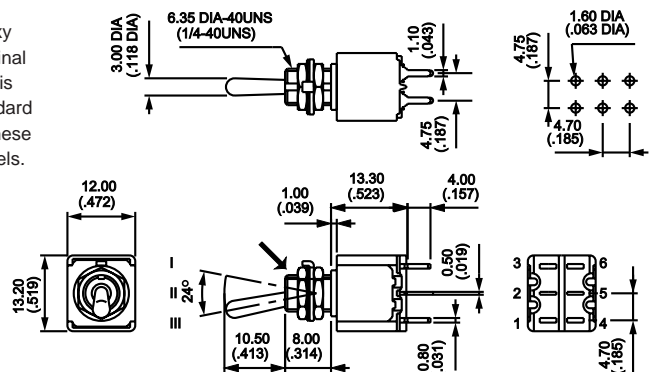
Double pole - standard actuator - 1/4-40 threaded bushing - straight p.c. terminals - gold contacts



MODEL NO.	CIRCUIT		
5246CDB	ON	-	ON
5249CDB	ON	OFF	ON
5247CDB	MOM	OFF	MOM
5248CDB	ON	OFF	MOM
5242CDB	ON	-	MOM
5244THCDB*	ON	ON	ON
5244TH1RCDB*	ON	ON	MOM
5244TH2RCDB*	MOM	ON	MOM
Handle position:	III	II	I
Terminals connected:	2-3	1-2	
	5-6	4-5	

* Function 4: SP in DP case. see diagram at end of section.

→ Keyway



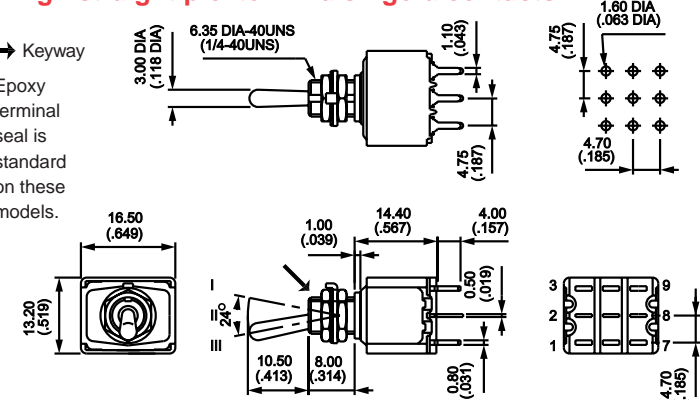
5000 SERIES - MINIATURE TOGGLE SWITCHES

Three pole - standard actuator - 1/4-40 threaded bushing - straight p.c. terminals - gold contacts



MODEL NO.	CIRCUIT		
5256CDB	ON	-	ON
5259CDB	ON	OFF	ON
5257CDB	MOM	OFF	MOM
5258CDB	ON	OFF	MOM
5252CDB	ON	-	MOM
Handle position (see dwg.):	III	II	I
Terminals connected:	2-3	5-6	1-2
	8-9	4-5	7-8

Keyway
Epoxy terminal seal is standard on these models.

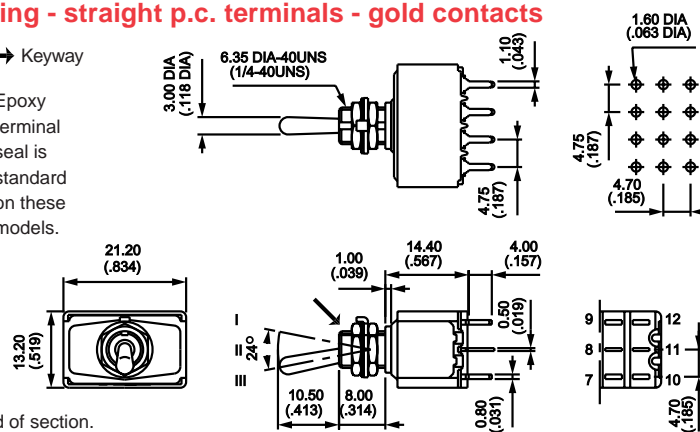


Four pole - standard actuator - 1/4-40 threaded bushing - straight p.c. terminals - gold contacts



MODEL NO.	CIRCUIT		
5266CDB	ON	-	ON
5269CDB	ON	OFF	ON
5267CDB	MOM	OFF	MOM
5268CDB	ON	OFF	MOM
5262CDB	ON	-	MOM
5264THCDB*	ON	ON	ON
5264TH1RCDB*	ON	ON	MOM
5264TH2RCDB*	MOM	ON	MOM
Handle position (see dwg.):	III	II	I
Terminals connected:	2-3	5-6	1-2
	8-9	4-5	7-8
	11-12	10-11	

Keyway
Epoxy terminal seal is standard on these models.

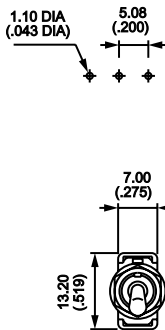


* Function 4: SP in DP case. see diagram at end of section.

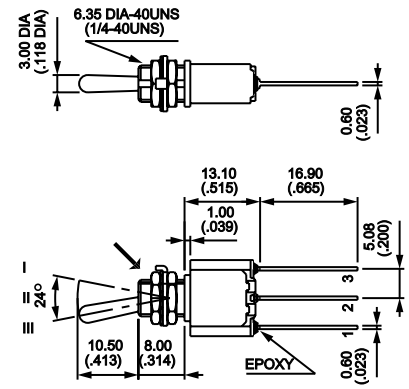
Single pole - standard actuator - 1/4-40 threaded bushing - wire-wrap terminals - gold contacts



MODEL NO.	CIRCUIT		
5236MIWRCD	ON	-	ON
5239MIWRCD	ON	OFF	ON
5237MIWRCD	MOM	OFF	MOM
5238MIWRCD	ON	OFF	MOM
5232MIWRCD	ON	-	MOM
Handle position (see dwg.):	III	II	I
Terminals connected:	2-3		1-2



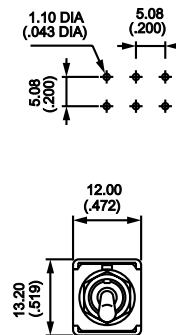
Keyway



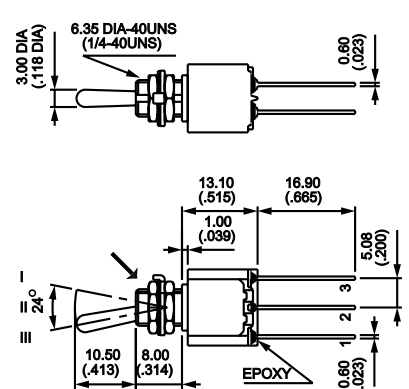
Double pole - standard actuator - 1/4-40 threaded bushing - wire-wrap terminals - gold contacts



MODEL NO.	CIRCUIT		
5246MIWRCD	ON	-	ON
5249MIWRCD	ON	OFF	ON
5247MIWRCD	MOM	OFF	MOM
5248MIWRCD	ON	OFF	MOM
5242MIWRCD	ON	-	MOM
5244MIWRTHCD*	ON	ON	ON
5244MIWRTH1RCD*	ON	ON	MOM
5244MIWRTH2RCD*	MOM	ON	MOM
Handle position:	III	II	I
Terminals connected:	2-3	5-6	1-2
			4-5



Keyway



* Function 4: SP in DP case. see diagram at end of section.

SPECIFICATIONS SUBJECT TO CHANGE WITHOUT NOTICE

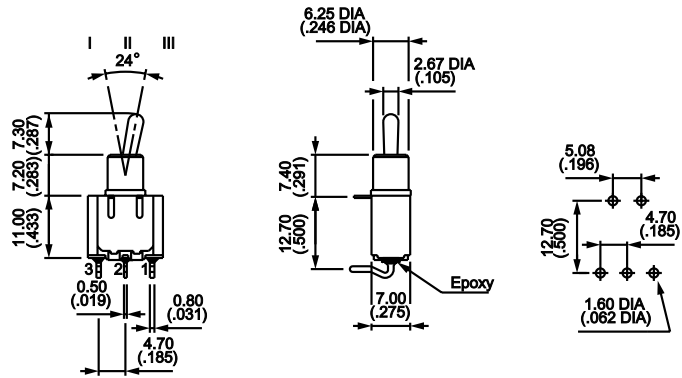
5000 SERIES - MINIATURE TOGGLE SWITCHES

A

Single pole - short actuator - 1/4" smooth bushing - horizontal right angle p.c. terminals - gold contacts



MODEL NO.	CIRCUIT		
5236WCDB16X404	ON	-	ON
5239WCDB16X404	ON	OFF	ON
5237WCDB16X404	MOM	OFF	MOM
5238WCDB16X404	ON	OFF	MOM
5232WCDB16X404	ON	-	MOM
Handle position (see dwg.):	III	II	I
Terminals connected:	2-3		1-2

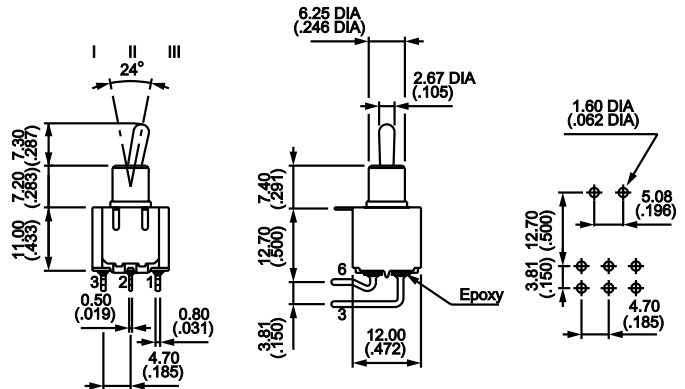


Double pole - short actuator - 1/4" smooth bushing - horizontal right angle p.c. terminals - gold contacts



MODEL NO.	CIRCUIT		
5246WCDB16X404	ON	-	ON
5249WCDB16X404	ON	OFF	ON
5247WCDB16X404	MOM	OFF	MOM
5248WCDB16X404	ON	OFF	MOM
5242WCDB16X404	ON	-	MOM
5244WTHCDB16X404*	ON	ON	ON
5244WTH1RCDB16X404*	ON	ON	MOM
5244WTH2RCDB16X404*	MOM	ON	MOM
Handle position:	III	II	I
Terminals connected:	2-3		1-2
	5-6		4-5

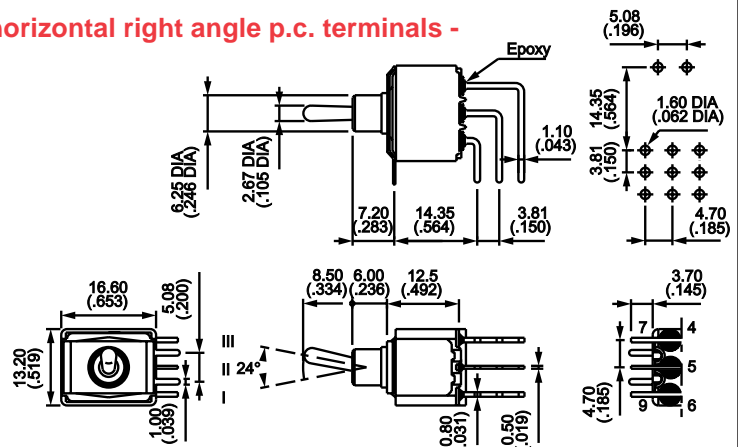
* Function 4: SP in DP case. see diagram at end of section.



Three pole - short actuator - 1/4" smooth bushing - horizontal right angle p.c. terminals - gold contacts



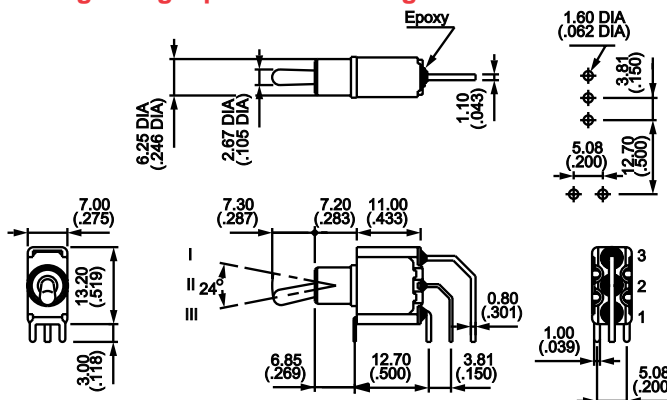
MODEL NO.	CIRCUIT		
5256WCDB16	ON	-	ON
5259WCDB16	ON	OFF	ON
5257WCDB16	MOM	OFF	MOM
5258WCDB16	ON	OFF	MOM
5252WCDB16	ON	-	MOM
Handle position (see dwg.):	III	II	I
Terminals connected:	2-3		1-2
	5-6		4-5
	8-9		7-8



Single pole - short actuator - 1/4" smooth bushing - vertical right angle p.c. terminals - gold contacts



MODEL NO.	CIRCUIT		
5236WWCDB16X445	ON	-	ON
5239WWCDB16X445	ON	OFF	ON
5237WWCDB16X445	MOM	OFF	MOM
5238WWCDB16X445	ON	OFF	MOM
5232WWCDB16X445	ON	-	MOM
Handle position (see dwg.):	III	II	I
Terminals connected:	2-3		1-2



SPECIFICATIONS SUBJECT TO CHANGE WITHOUT NOTICE

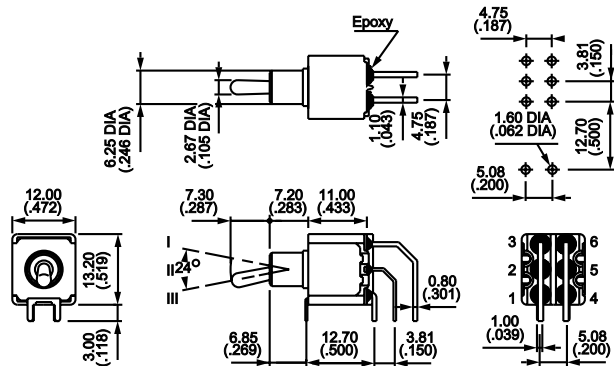
5000 SERIES - MINIATURE TOGGLE SWITCHES

Double pole - short actuator - 1/4" smooth bushing - vertical right angle p.c. terminals - gold contacts



MODEL NO.	CIRCUIT		
5246WWCDB16X445	ON	-	ON
5249WWCDB16X445	ON	OFF	ON
5247WWCDB16X445	MOM	OFF	MOM
5248WWCDB16X445	ON	OFF	MOM
5242WWCDB16X445	ON	-	MOM
5244WWTHCDB16X445*	ON	ON	ON
5244WWTH1RCDB16X445*	ON	ON	MOM
5244WWTH2RCDB16X445*	MOM	ON	MOM
Handle position:	III	II	I
Terminals connected:	2-3	1-2	
	5-6	4-5	

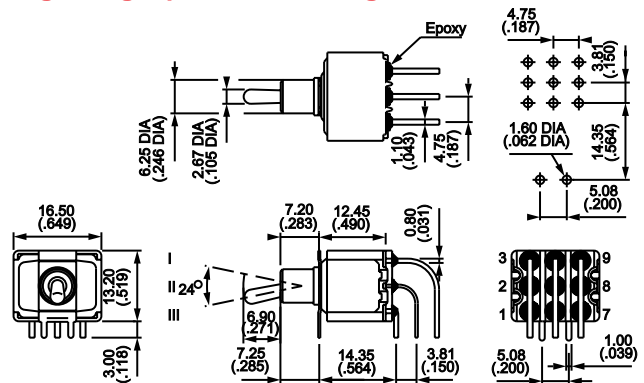
* Function 4: SP in DP case. see diagram at end of section.



Three pole - short actuator - 1/4" smooth bushing - vertical right angle p.c. terminals - gold contacts



MODEL NO.	CIRCUIT		
5256WWCDB16X514	ON	-	ON
5259WWCDB16X514	ON	OFF	ON
5257WWCDB16X514	MOM	OFF	MOM
5258WWCDB16X514	ON	OFF	MOM
5252WWCDB16X514	ON	-	MOM
Handle position:	III	II	I
Terminals connected:	2-3	1-2	
	5-6	4-5	
	8-9	7-8	

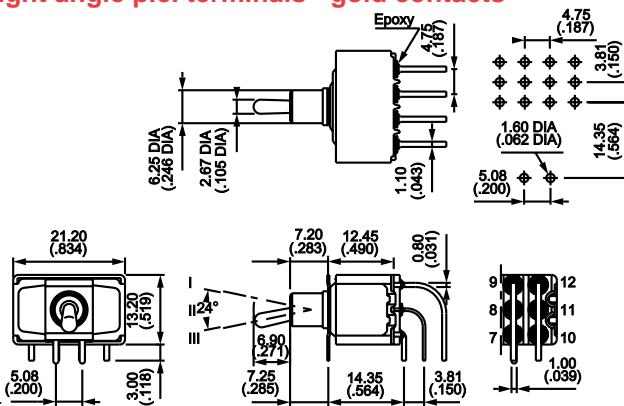


Four pole - short actuator - 1/4" smooth bushing - vertical right angle p.c. terminals - gold contacts



MODEL NO.	CIRCUIT		
5266WWCDB16X514	ON	-	ON
5269WWCDB16X514	ON	OFF	ON
5267WWCDB16X514	MOM	OFF	MOM
5268WWCDB16X514	ON	OFF	MOM
5262WWCDB16X514	ON	-	MOM
5264WWTHCDB16X514*	ON	ON	ON
5264WWTH1RCDB16X514*	ON	ON	MOM
5264WWTH2RCDB16X514*	MOM	ON	MOM
Handle position:	III	II	I
Terminals connected:	2-3	1-2	
	5-6	4-5	
	8-9	7-8	
	11-12	10-11	

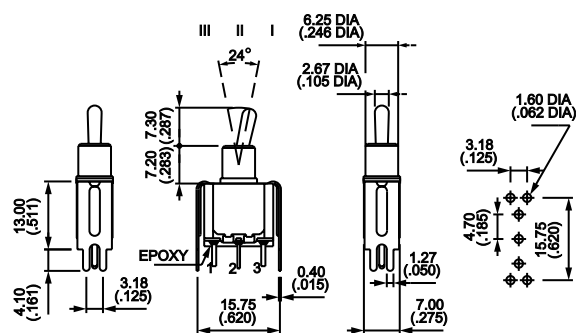
* Function 4: SP in DP case. see diagram at end of section.



Single pole - short actuator - 1/4" smooth bushing - straight p.c. terminals - bracket mtg. - gold contacts



MODEL NO.	CIRCUIT		
5236YCDB16X445	ON	-	ON
5239YCDB16X445	ON	OFF	ON
5237YCDB16X445	MOM	OFF	MOM
5238YCDB16X445	ON	OFF	MOM
5232YCDB16X445	ON	-	MOM
Handle position (see dwg.):	III	II	I
Terminals connected:	2-3	1-2	



SPECIFICATIONS SUBJECT TO CHANGE WITHOUT NOTICE

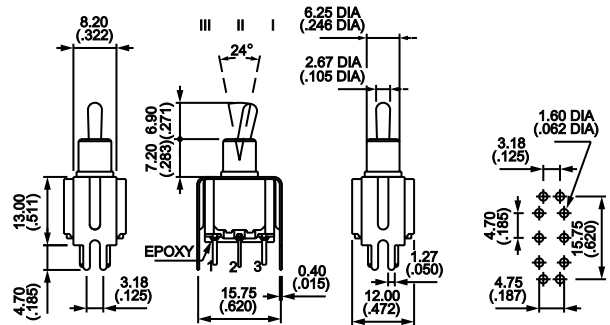
5000 SERIES - MINIATURE TOGGLE SWITCHES

Double pole - short actuator - 1/4" smooth bushing - straight p.c. terminals - bracket mtg. - gold contacts



MODEL NO.	CIRCUIT		
5246YCDB16X445	ON	-	ON
5249YCDB16X445	ON	OFF	ON
5247YCDB16X445	MOM	OFF	MOM
5248YCDB16X445	ON	OFF	MOM
5242YCDB16X445	ON	-	MOM
5244YTHCDB16X445*	ON	ON	ON
5244YTH1RCDB16X445*	ON	ON	MOM
5244YTH2RCDB16X445*	MOM	ON	MOM
Handle position:	III	II	I
Terminals connected:	2-3	1-2	5-6

* Function 4: SP in DP case. see diagram at end of section.

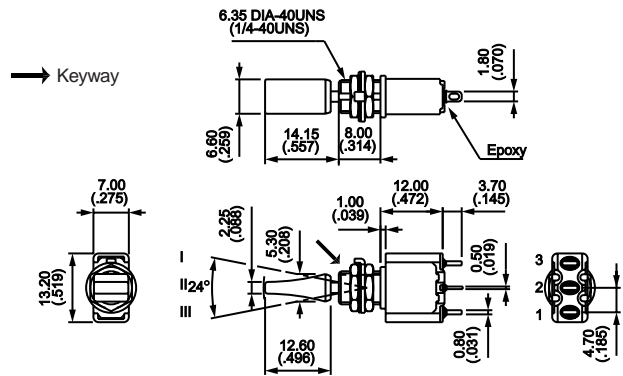


Single pole - paddle actuator - 1/4" threaded bushing - solder lug terminals - silver contacts



MODEL NO.	CIRCUIT		
5636AB4N+U242N	ON	-	ON
5639AB4N+U242N	ON	OFF	ON
5637AB4N+U242N	MOM	OFF	MOM
5638AB4N+U242N	ON	OFF	MOM
5632AB4N+U242N	ON	-	MOM
Handle position:	III	II	I
Terminals connected:	2-3	1-2	

Above models have black paddle.

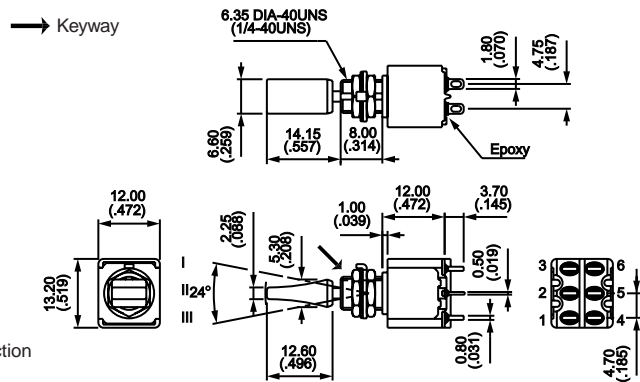


Double pole - paddle actuator - 1/4" threaded bushing - solder lug terminals - silver contacts



MODEL NO.	CIRCUIT		
5646AB4N+U242N	ON	-	ON
5649AB4N+U242N	ON	OFF	ON
5647AB4N+U242N	MOM	OFF	MOM
5648AB4N+U242N	ON	OFF	MOM
5642AB4N+U242N	ON	-	MOM
5644THAB4N+U242N*	ON	ON	ON
5644TH1RAB4N+U242N*	ON	ON	MOM
5644TH2RAB4N+U242N*	MOM	ON	MOM
Handle position:	III	II	I
Terminals connected:	2-3	1-2	5-6

*Function 4: SP in DP case. see diagram at end of section
Above models have black paddle.



SPECIFICATIONS SUBJECT TO CHANGE WITHOUT NOTICE

5000 SERIES - MINIATURE TOGGLE SWITCHES

5000 Series switches for peak currents

- 2-120 amps at 60 VDC - 10,000 cycles minimum.
- 3-40 amps at 125/250 VAC - 10,000 cycles minimum.
- Silver nickel alloy (AgNi) contacts.

Other specifications same as 5000 Series.

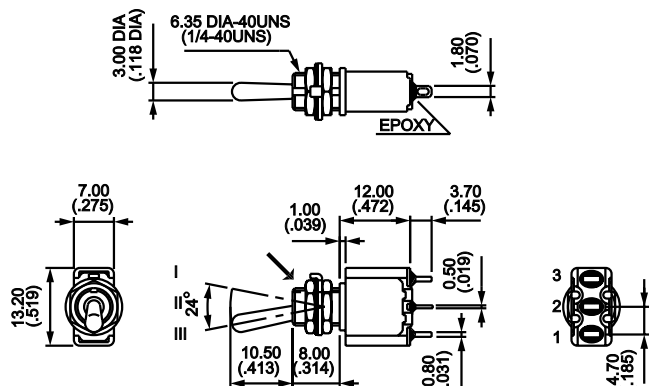
Also see 'Switches for Peak Currents' technical page in rear of catalog.

Single pole - standard actuator - 1/4-40 threaded bushing - solder lug terminals



MODEL NO.
5636ABX814

CIRCUIT
ON - ON



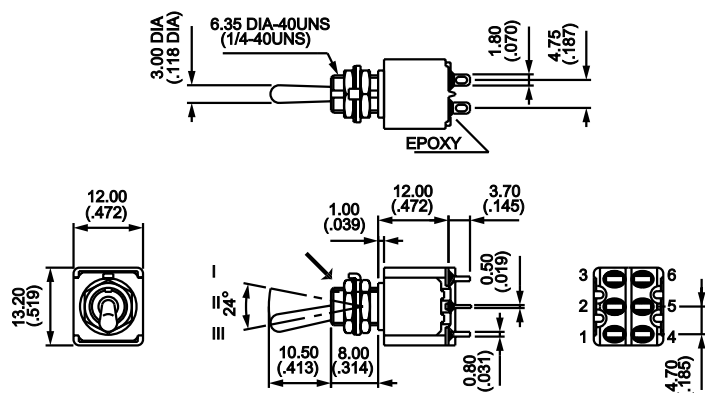
→ Keyway

Double pole - standard actuator - 1/4-40 threaded bushing - solder lug terminals



MODEL NO.
5646ABX814

CIRCUIT
ON - ON



→ Keyway

5000 SERIES - MINIATURE TOGGLE SWITCHES

A

Additional ordering information: Commonly ordered models are shown on prior pages with complete model numbers and specifications. Below is an order format that enables you to 'build your own switch' and specify the correct switch model number by simply selecting from all available options shown and filling in the boxes.

'BUILD YOUR OWN SWITCH' ORDER FORMAT

Fill in boxes with selections shown for **Model Structure**, then add **Options** selections for complete model number.

Allowable options are shown below each respective box.

Note 'NONE' indicates box may be left empty.

Model Structure:

Series	Terminals & bushings	Number of poles	Electrical functions	Terminals	(For function 4 models only) connections /functions	Contact materials
5	<input type="checkbox"/>	<input type="checkbox"/>	<input type="checkbox"/>	<input type="checkbox"/> <input type="checkbox"/> <input type="checkbox"/> <input type="checkbox"/>	<input type="checkbox"/> <input type="checkbox"/> <input type="checkbox"/> <input type="checkbox"/>	<input type="checkbox"/> <input type="checkbox"/>
	<p>2 Straight p.c., right angle, quick connect or wire-wrap terminals with 1/4-40 (6.35mm) threaded bushing.</p> <p>6 Solder lug terminals with 1/4-40 (6.35mm) or 15/32-32 (11.9mm) threaded bushings.</p>	<p>3 Single pole</p> <p>4 Double pole</p> <p>5 Three pole</p> <p>6 Four pole</p>	<p>6 ON - ON</p> <p>9 ON OFF ON</p> <p>7 MOM OFF MOM</p> <p>8 ON OFF MOM</p> <p>2 ON - MOM</p> <p>4* ON ON ON</p> <p>4* ON ON MOM</p> <p>4* MOM ON MOM</p> <p>* specify selection from 'connections/ functions' box also.</p>	<p>(NONE)</p> <p>M Solder lugs with 15/32-32 (11.9mm) bushing</p> <p>M I W R Wire-wrap (epoxy term. seal standard)</p> <p>W Horizontal right angle p.c.</p> <p>W W Vertical right angle p.c.</p> <p>Y Straight p.c. w/mounting brk't.</p> <p>Z Quick connect (epoxy term. seal standard)</p>	<p>(NONE)</p> <p>T H ON ON ON</p> <p>T H 1 R ON ON MOM</p> <p>T H 2 R MOM ON MOM</p>	<p>A Silver</p> <p>A D Silver, gold plated</p> <p>C D Brass, gold plated</p>

Options:

Black finish	Sealing	Actuators	Agency Recognition	Special options	Caps and paddles
<input type="checkbox"/>	<input type="checkbox"/> <input type="checkbox"/>	<input type="checkbox"/> <input type="checkbox"/>	<input type="checkbox"/> <input type="checkbox"/> <input type="checkbox"/>	<input type="checkbox"/> <input type="checkbox"/> <input type="checkbox"/>	<input type="checkbox"/> <input type="checkbox"/> <input type="checkbox"/> <input type="checkbox"/> <input type="checkbox"/> <input type="checkbox"/>
<p>(NONE)</p> <p>G Matte black finish on bushing, actuator & hardware.</p>	<p>(NONE) Unless standard - (see Terminals above)</p> <p>B Epoxy sealed terminals</p> <p>K Front panel sealing with o-ring & gasket.</p> <p>K B Both of above</p>	<p>(NONE)</p> <p>1 3 Standard</p> <p>2</p> <p>7</p> <p>8 Flat</p> <p>9 Flat</p> <p>1 2 Flat</p> <p>1 6</p> <p>1 7</p> <p>2 1 Insulated</p> <p>2 2</p> <p>2 3</p> <p>2 4 Large (long)</p> <p>2 7 Large (short)</p> <p>4 N For paddles only</p> <p>1 V Locking (1 position)</p> <p>2 V Locking (2 positions)</p> <p>3 V Locking (3 positions)</p> <p>(see actuator drawings).</p>	<p>(NONE)</p> <p>U L</p> <p>C S A</p> <p>V D E</p> <p>L N Z Tele-communications listing</p> <p>G A M Military listing</p> <p>(consult factory for details of approved models).</p>	<p>(NONE)</p> <p>See listing on pg. C39</p>	<p>(NONE)</p> <p>Caps</p> <p>U 2 7 0</p> <p>U 1 7 1 0</p> <p>U 6 4 0</p> <p>Paddles</p> <p>U 2 4 0 N</p> <p>U 2 9 0 N</p> <p>U 3 9 0 N</p> <p>(see drawings and color codes).</p>

Examples of completely specified model numbers:
5636AB, 5234WWTH2RAB16UL

Although most combinations of options are available, some may result in incompatibilities. Consult factory if there is any question.

SPECIFICATIONS SUBJECT TO CHANGE WITHOUT NOTICE

5000 SERIES - MINIATURE TOGGLE SWITCHES

OPTION DRAWINGS

SEALING

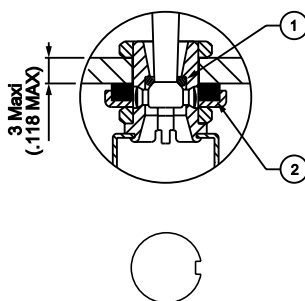
(NONE) Indicates no terminal sealing.

B Indicates epoxy terminal sealing. Note: for models with 'Z' and 'MIWR' epoxy terminal sealing is standard and need not be specified with 'B'.

K Indicates front panel sealing with o-ring (1) and gasket (2) to protect the switch from water and dust. Withstands 1 bar pressure. Available on models with 1/4" (6.35mm) or 15/32" (11.9mm) threaded bushings. Not available with actuators **8,9, 12, 22** or **23**.

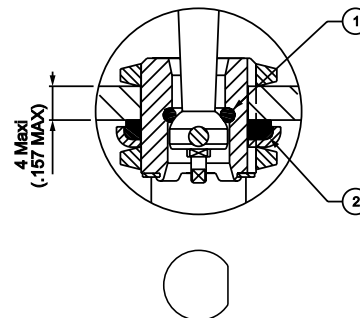
K B Includes both **B** and **K** above.

K with 1/4" (6.35mm) keyway bushing



Includes gasket washer **U360**

K with 15/32" (11.9mm) flatted bushing



Includes gasket washer **U60**

ACTUATORS for 1/4" (6.35mm) threaded bushings

<p>13 Standard</p>	<p>2</p>	<p>4N For use with paddles only</p>
<p>8 Not available with option K</p>	<p>9 Not available with option K</p>	<p>12 Not available with option K</p>
<p>16</p>	<p>17</p>	<p>21 Specify U640 insulative extension with this actuator and replace '0' with color selection below.</p>
<p>22 Not available with option K</p>	<p>23 Not available with option K</p>	<p>Colors</p> <ul style="list-style-type: none"> 1 blue 2 black 3 green 4 grey 5 yellow 6 red 7/1 white 9 orange

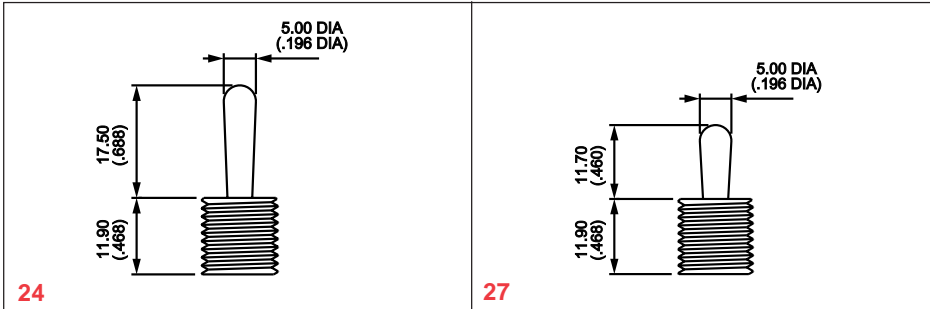
SPECIFICATIONS SUBJECT TO CHANGE WITHOUT NOTICE

5000 SERIES - MINIATURE TOGGLE SWITCHES

A

OPTION DRAWINGS (cont'd.)

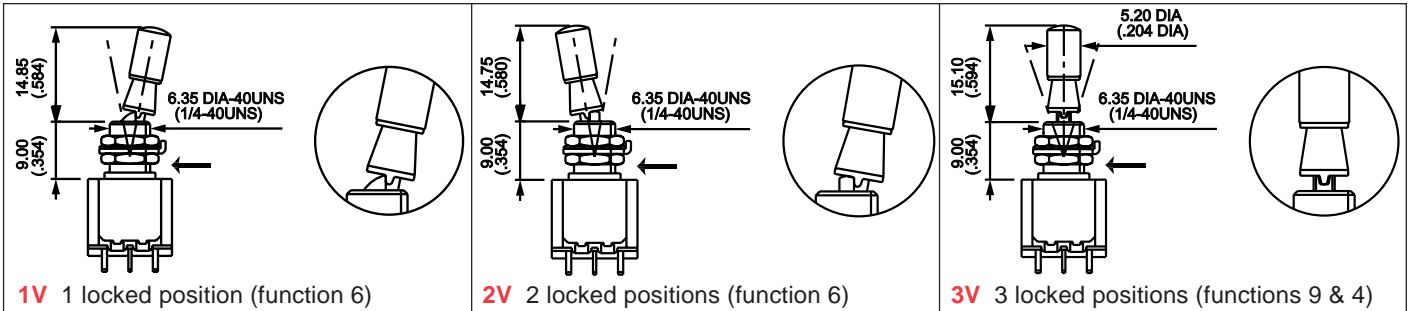
ACTUATORS for 15/32" (11.9mm) threaded bushings



24

27

LOCKING ACTUATORS for 1/4" (6.35mm) threaded bushings Other locking actuator styles available - consult factory.

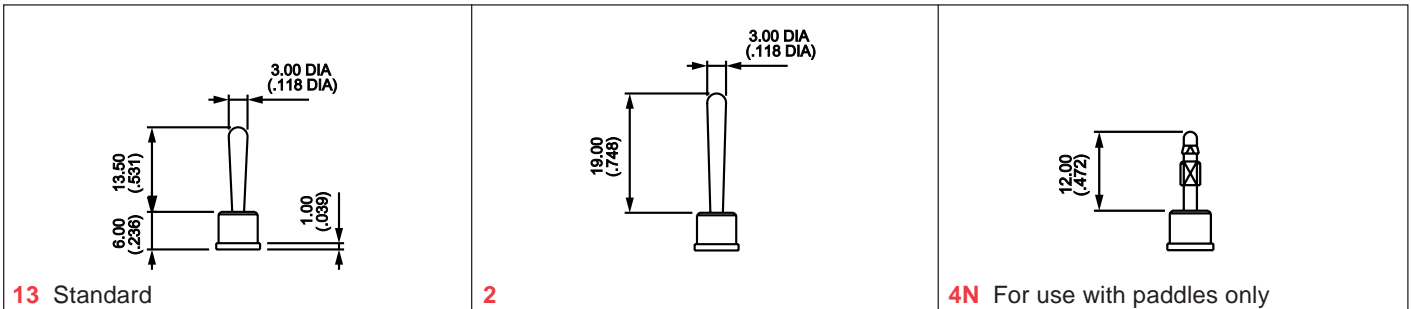


1V 1 locked position (function 6)

2V 2 locked positions (function 6)

3V 3 locked positions (functions 9 & 4)

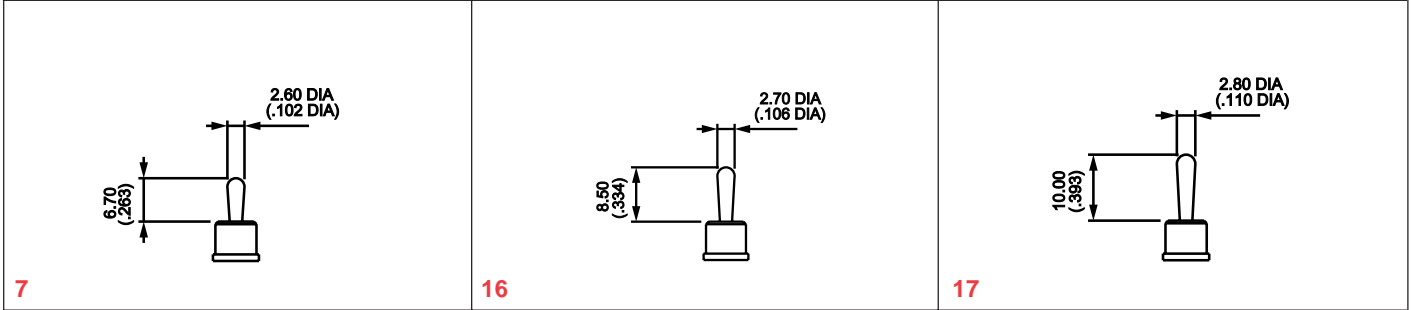
ACTUATORS for smooth bushing models (W, WW & Y)



13 Standard

2

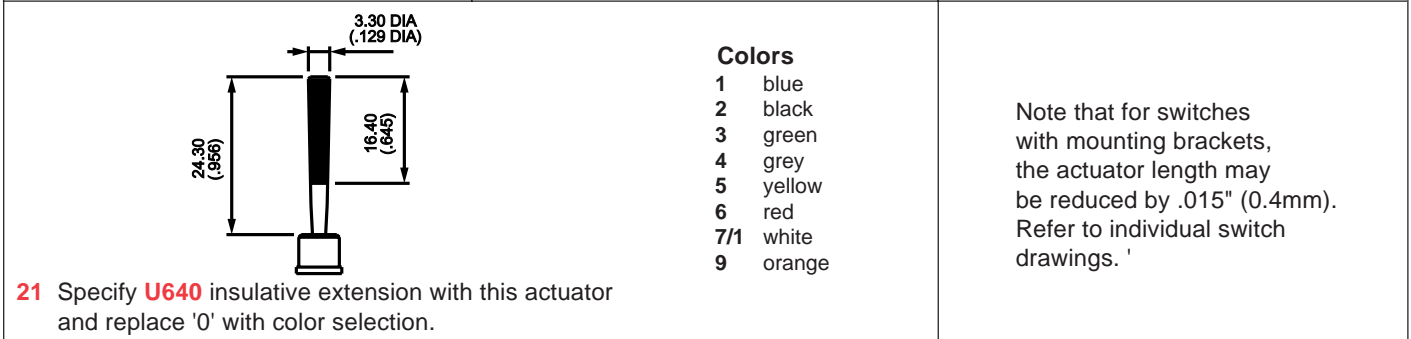
4N For use with paddles only



7

16

17



21 Specify **U640** insulative extension with this actuator and replace '0' with color selection.

Colors

- 1 blue
- 2 black
- 3 green
- 4 grey
- 5 yellow
- 6 red
- 7/1 white
- 9 orange

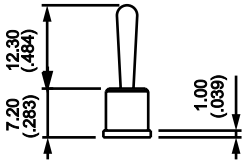
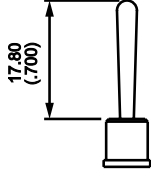
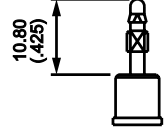
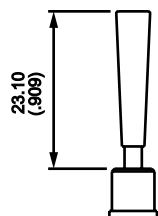
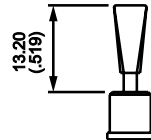
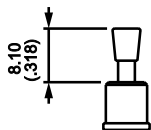
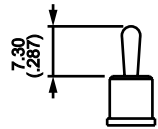
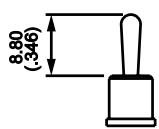
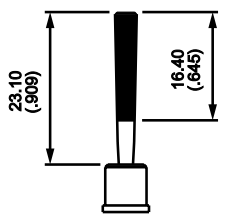
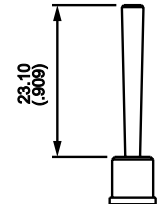
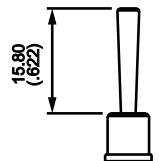
Note that for switches with mounting brackets, the actuator length may be reduced by .015" (0.4mm). Refer to individual switch drawings.

SPECIFICATIONS SUBJECT TO CHANGE WITHOUT NOTICE

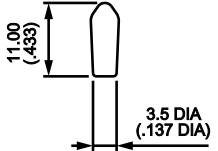
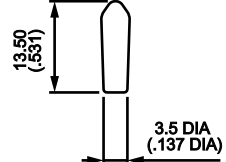
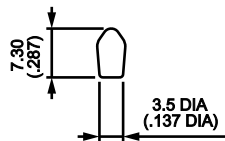
5000 SERIES - MINIATURE TOGGLE SWITCHES

OPTION DRAWINGS (cont'd.)

ACTUATORS for switches with X404 and X445 options (see 'special options' pages following)

 <p>13 Standard</p>	 <p>2</p>	 <p>4N For use with paddles only</p>
 <p>8 Not available w/function 2 (ON - MOM)</p>	 <p>9 Not available w/function 2 (ON - MOM)</p>	 <p>12 Not available w/function 2 (ON - MOM)</p>
 <p>16</p>	 <p>17</p>	 <p>21 Specify U640 insulative extension with this actuator and replace '0' with color selection below.</p> <p>Colors</p> <ul style="list-style-type: none"> 1 blue 2 black 3 green 4 grey 5 yellow 6 red 7/1 white 9 orange
 <p>22 Not available with sealing option K or X408</p>	 <p>23</p>	

INSULATING CAPS (replace '0' in part numbers below with color code)

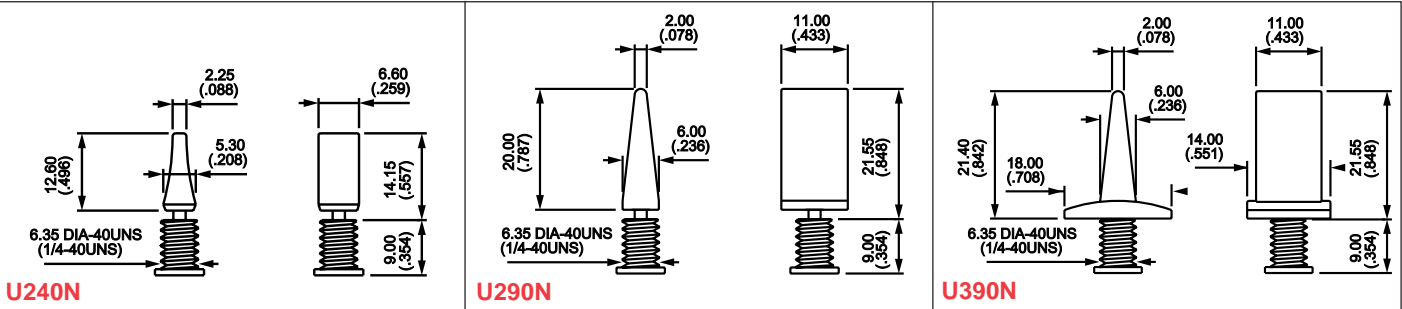
 <p>U270 For actuator 13 and threaded bushing only</p>	 <p>U1040 For actuator 13 and smooth bushing only</p>	 <p>U1710 For actuator 17 and threaded bushing or actuator 7 and smooth bushing only</p>
---	--	--

SPECIFICATIONS SUBJECT TO CHANGE WITHOUT NOTICE

5000 SERIES - MINIATURE TOGGLE SWITCHES

OPTION DRAWINGS (cont'd.)

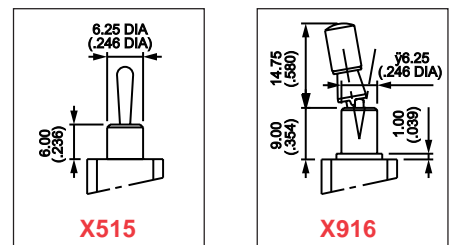
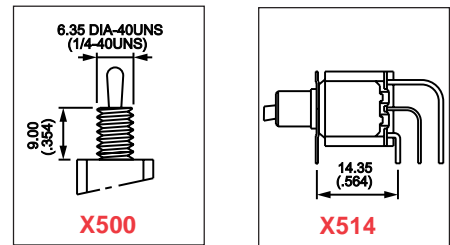
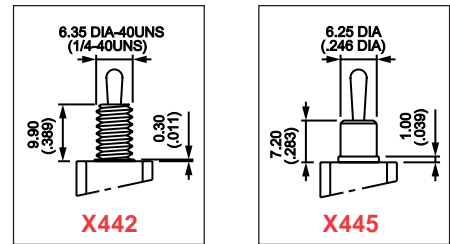
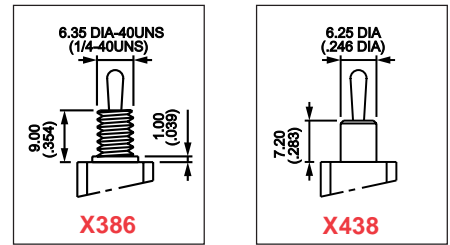
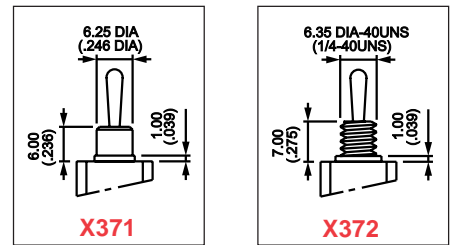
PADDLES for actuator 4N only. Mat'l: UL94HB Polyamide (replace '0' in part numbers below with color code from preceding pg.)



SPECIAL OPTIONS

- F** Tin plated terminals (for p.c. terminals only).
- X371** Smooth bushing .246" (6.25mm) instead of standard threaded bushing.
- X372** Threaded bushing 1/4" (6.35mm). Height .274" (7mm).
- X386** Threaded bushing 1/4" (6.35mm) to replace plain bushing on models with **W**, **WW** & **Y**.
- X404** Switches with **W** option with short actuator and offset terminal bends (see Page A25).
- X435** .732" (18.6mm) long p.c. terminals - epoxy terminal seal standard.
- X438** Smooth bushing .246" (6.25mm). Height .283" (7.2mm) without shoulder.
- X442** Threaded bushing 1/4" (6.35mm). Height .389" (9.9mm).
- X445** Smooth bushing .283" (7.2mm) for **W**, **WW** & **Y** models. Available with same actuators, insulating cap and paddles as X404.
- X500** Threaded bushing 1/4" (6.35mm). Height .354" (9mm) without shoulder.
- X507** .293" (10mm) long p.c. terminals.
- X512** 1.062" (27mm) long p.c. terminals - epoxy terminal seal standard.
- X514** Spacing .564" (14.35mm) instead of .500" (12.7mm) for 3 and 4 pole **WW** models.
- X515** Smooth bushing .246" (6.25mm) without shoulder.
- X601** Silver plated brass contacts. Ratings - 0.2 amps 250 VAC, 0.4 amps 125 VAC or 0.5 amps 30 VDC. Electrical life : 20,000 cycles min. Minimum quantity: 5000 pcs.
- X681** Satin chrome actuator for flat actuators.
- X729** 1/299" (33mm) long p.c. terminals.
- X764** Special customer specified marking.
- X769** Red anodized locking lever top.
- X806** Smooth bushing .246" (6.25mm) instead of standard threaded bushing and silver plated brass contacts.
- X814** Switches for peak current. See pg. A28.
- X916** Locking lever on model with smooth bushing.

Printed circuit terminal lengths	
Option	Length L
X435	.732 (18.6mm)
X507	.293 (10mm)
X512	1.062 (27mm)
X729	1.299 (33mm)

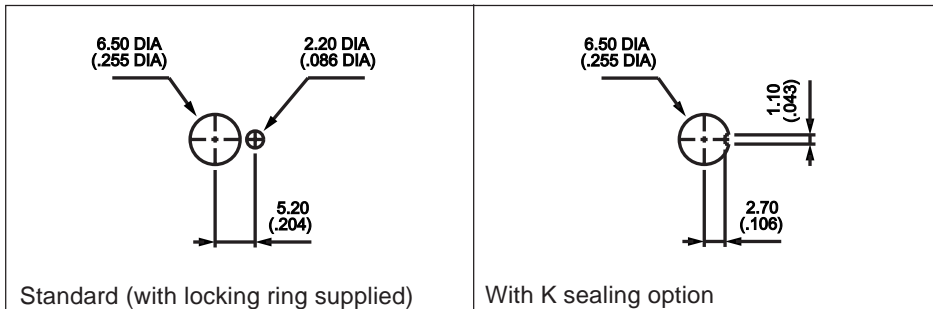


SPECIFICATIONS SUBJECT TO CHANGE WITHOUT NOTICE

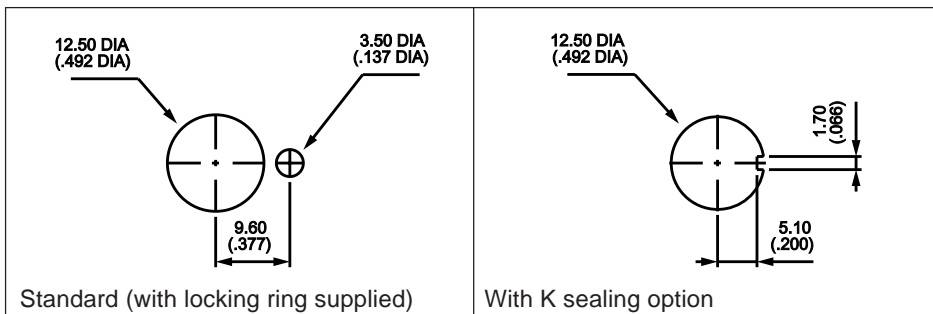
5000 SERIES - MINIATURE TOGGLE SWITCHES

PANEL CUT-OUTS & MISCELLANEOUS

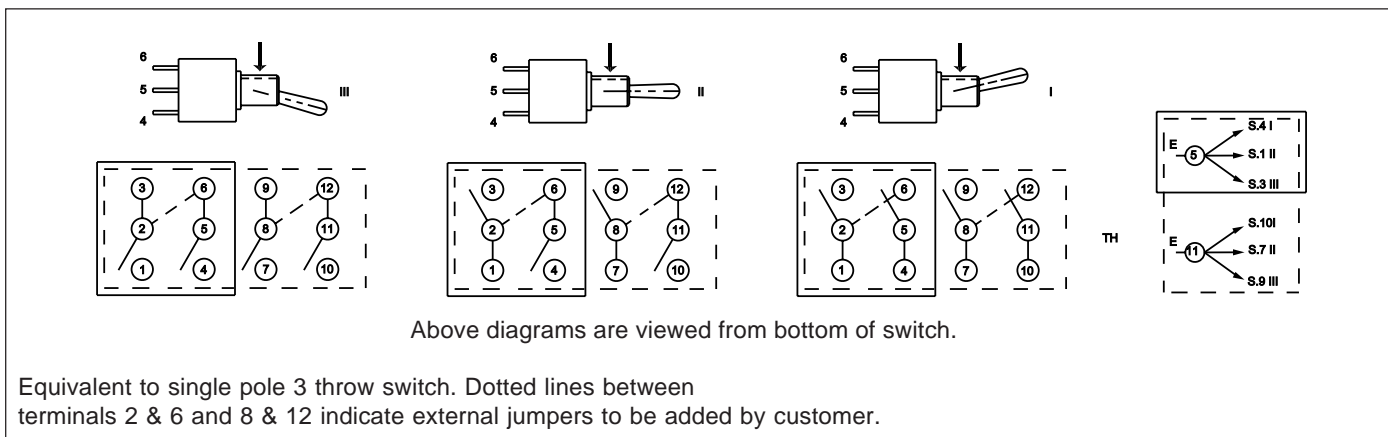
PANEL CUT-OUTS for 1/4" (6.35mm) bushings



PANEL CUT-OUTS for 15/32" (11.9mm) bushings



WIRING for function 4 switch



SPECIFICATIONS SUBJECT TO CHANGE WITHOUT NOTICE

55000 SERIES - VDE APPROVED MINIATURE TOGGLE SWITCHES

A



FEATURES

- VDE, UL and CSA recognition standard on all models.
- SPDT & DPDT models with numerous options.
- Configurations for panel, panel & p.c. and p.c. mounting.
- Epoxy terminal sealing standard on all models.

SPECIFICATIONS

Contact ratings (resistive loads):	3 Amps at 250 VAC, 6 Amps at 125 VAC
Initial contact resistance:	10 milliohms maximum
Insulation resistance:	1000 megohms min. at 500 VDC
Dielectric strength:	1000 V rms min. - between terminals 2000 V rms min. - between poles and terminals and frame
Electrical life (resistive):	50,000 cycles minimum
Operating temperature range:	-40°C to +85°C
Insulation:	Class 1 per IEC 1058-1
Contact opening:	less than .118" (3mm)
Creepage distance & air gap:	.118" (3mm) minimum

MATERIALS

Contacts & Terminals:	Silver
Actuator:	Chrome plated brass with insulating vinyl cap or UL94HB polyamide paddle
Bushing:	Nickel plated brass
Housing:	Stainless steel
Case:	Diallyl phthalate (DAP)
Terminal seal:	Epoxy
Hardware:	Panel mounting models supplied with 2 Hex Nuts .314" (8mm) across flats, 1 Locking Ring & 1 Lockwasher. See hardware section of catalog.

AGENCY RECOGNITION



VDE, UL & CSA
Standard, and marked on all models

ABOUT THIS SERIES

The material in this series is organized in the following sequence:

- a. Completely specified switch models
- b. 'build your own switch' order format
- c. Option drawings & miscellaneous

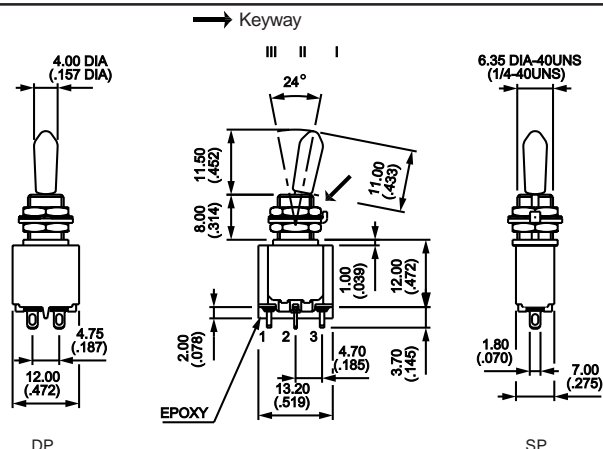
55000 SERIES - VDE APPROVED MINIATURE TOGGLE SWITCHES

1/4-40 threaded bushing - solder lug terminals



SINGLE POLE MODEL NO.	CIRCUIT
55636AVDEULCSA+U272	ON - ON
55639AVDEULCSA+U272	ON OFF ON
DOUBLE POLE MODEL NO.	CIRCUIT
55646AVDEULCSA+U272	ON - ON
55649AVDEULCSA+U272	ON OFF ON
Handle position (see dwg.) :	III II I
Terminals connected:	2-3 1-2 5-6 4-5

Above models have black cap.

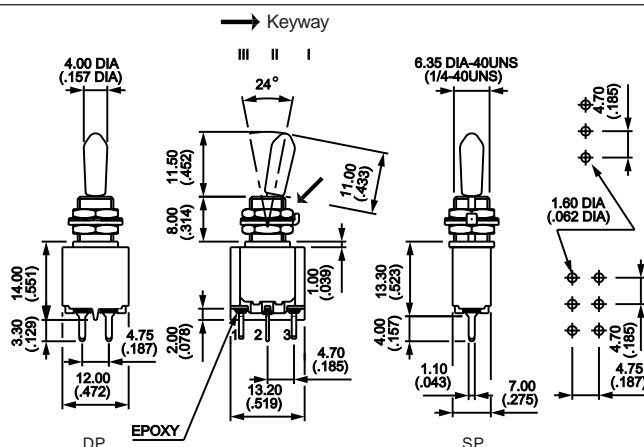


1/4-40 threaded bushing - straight p.c. terminals



SINGLE POLE MODEL NO.	CIRCUIT
55236AVDEULCSA+U272	ON - ON
55239AVDEULCSA+U272	ON OFF ON
DOUBLE POLE MODEL NO.	CIRCUIT
55246AVDEULCSA+U272	ON - ON
55249AVDEULCSA+U272	ON OFF ON
Handle position (see dwg.) :	III II I
Terminals connected:	2-3 1-2 5-6 4-5

Above models have black cap.

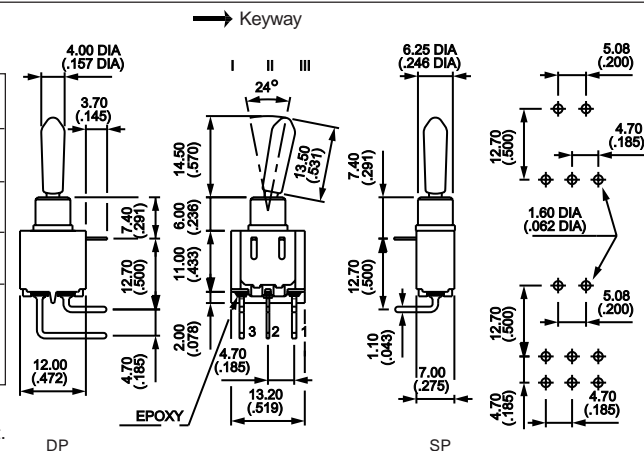


1/4" smooth bushing - horizontal right angle p.c. terminals



SINGLE POLE MODEL NO.	CIRCUIT
55236WAVDEULCSA+U1042	ON - ON
55239WAVDEULCSA+U1042	ON OFF ON
DOUBLE POLE MODEL NO.	CIRCUIT
55246WAX433VDEULCSA+U1042	ON - ON
55249WAX433VDEULCSA+U1042	ON OFF ON
Handle position (see dwg.) :	III II I
Terminals connected:	2-3 1-2 5-6 4-5

Above models have black cap.
Vertical right angle p.c. terminals also available on request.

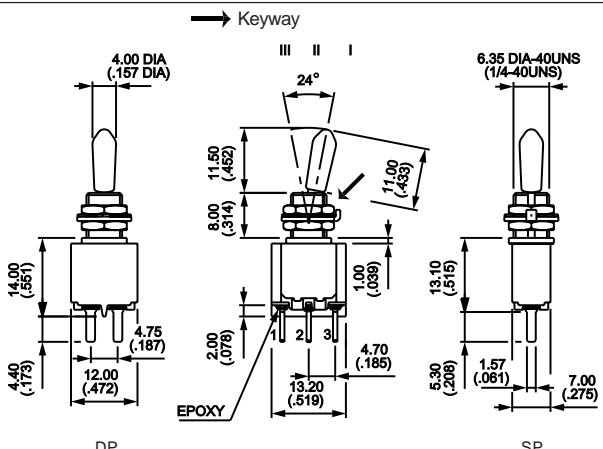


1/4-40 threaded bushing - quick-connect terminals



SINGLE POLE MODEL NO.	CIRCUIT
55236ZAVDEULCSA+U272	ON - ON
55239ZAVDEULCSA+U272	ON OFF ON
DOUBLE POLE MODEL NO.	CIRCUIT
55246ZAVDEULCSA+U272	ON - ON
55249ZAVDEULCSA+U272	ON OFF ON
Handle position (see dwg.) :	III II I
Terminals connected:	2-3 1-2 5-6 4-5

Above models have black cap.



SPECIFICATIONS SUBJECT TO CHANGE WITHOUT NOTICE

55000 SERIES - VDE APPROVED MINIATURE TOGGLE SWITCHES

A

Additional ordering information: Commonly ordered models are shown on prior pages with complete model numbers and specifications. Below is an order format that enables you to 'build your own switch' and specify the correct switch model number by simply selecting from all available options shown and filling in the boxes.

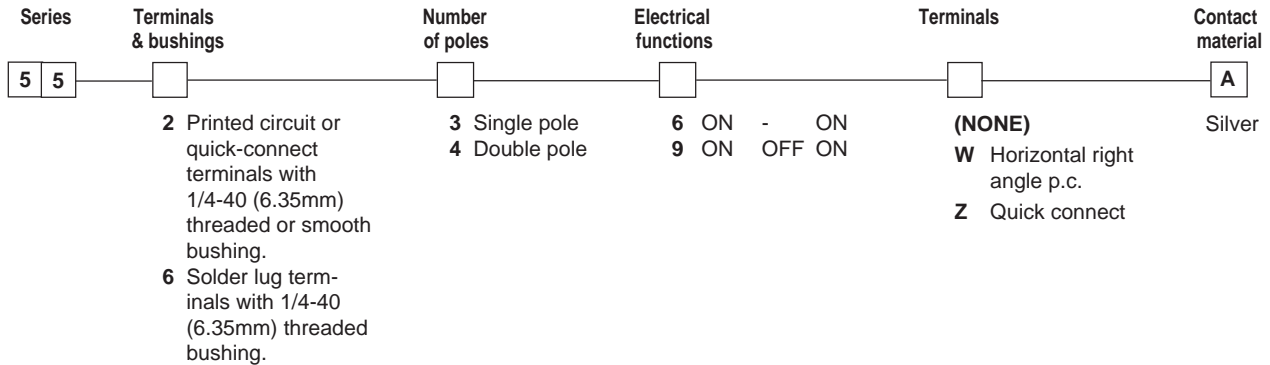
'BUILD YOUR OWN SWITCH' ORDER FORMAT

Fill in boxes with selections shown for **Model Structure**, then add **Options** selections for complete model number.

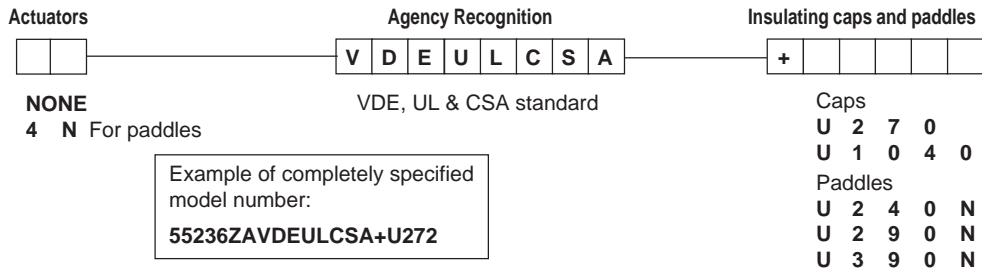
Allowable options are shown below each respective box.

Note 'NONE' indicates box may be left empty.

Model Structure:



Options:



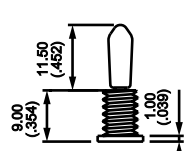
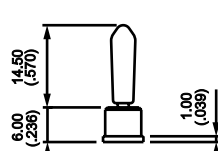
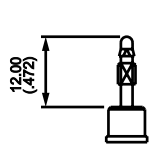
Note:
VDE requires cap or paddle selection.

Although most combinations of options are available, some may result in incompatibilities. Consult factory if there is any question.

(see drawings and color codes).

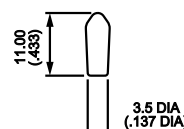
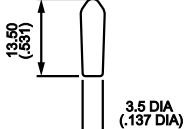
OPTION DRAWINGS

ACTUATORS

 <p>13 for threaded bushing models Cap U270 is required</p>	 <p>13 for smooth bushing models Cap U1040 is required</p>	 <p>4N For use with paddles only Paddle U240N, U290N or U390N is required.</p>
---	--	--

INSULATING CAPS

supplied cemented to lever (replace '0' in part number with color code)

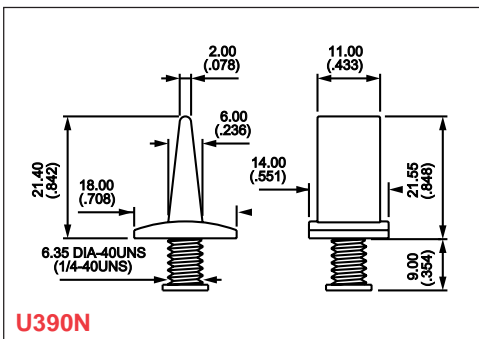
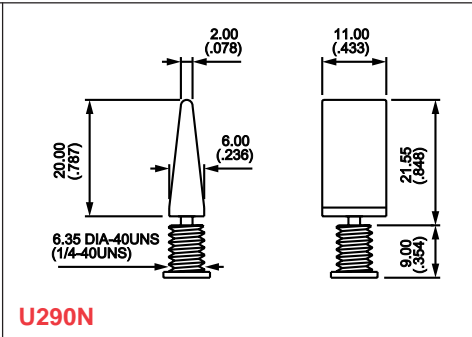
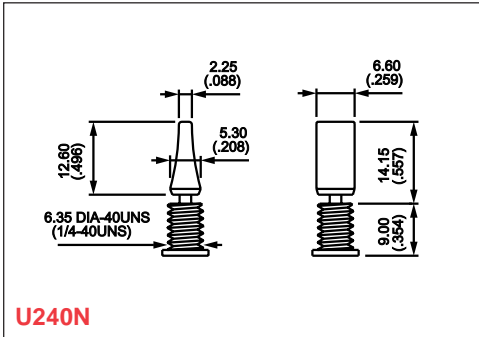
 <p>U270 for threaded bushing models</p>	 <p>U1040 for smooth bushing models</p>	<p>Colors</p> <p>1 blue</p> <p>2 black</p> <p>3 green</p> <p>4 grey</p> <p>5 yellow</p> <p>6 red</p> <p>7/1 white</p> <p>9 orange</p>
--	---	--

SPECIFICATIONS SUBJECT TO CHANGE WITHOUT NOTICE

55000 SERIES - VDE APPROVED MINIATURE TOGGLE SWITCHES

OPTION DRAWINGS & MISCELLANEOUS

PADDLES for use with lever 4N Note: Order Paddle separately.
(shown with threaded bushing)



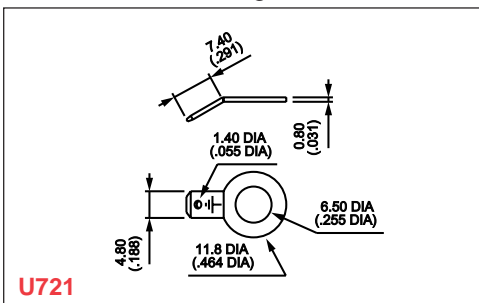
Replace '0' in part numbers with color code.

Colors

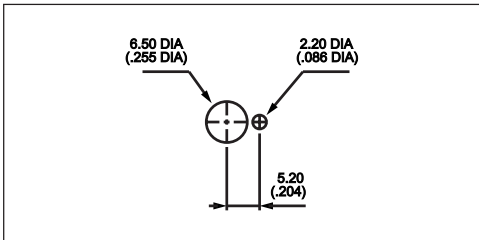
- 1 blue
- 2 black
- 3 green
- 4 grey
- 5 yellow
- 6 red
- 7/1 white
- 9 orange

GROUNDING LUG Note: Order Grounding Lug separately.

IMPORTANT: required on models with threaded bushing if panel is non-metallic or not connected to ground.



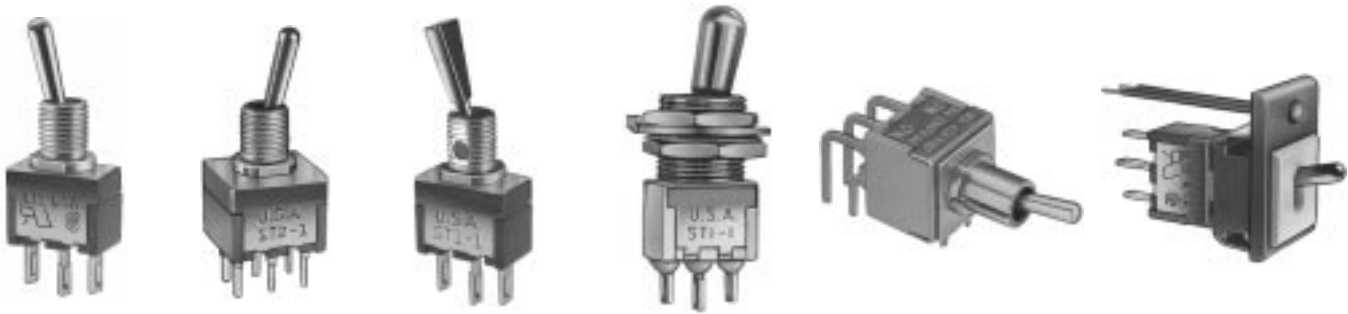
PANEL CUT-OUT for 1/4" threaded bushing



SPECIFICATIONS SUBJECT TO CHANGE WITHOUT NOTICE

ST SERIES - MINIATURE TOGGLE SWITCHES

A



FEATURES

- Dry circuit through power ratings .
- Ultra-rugged construction SPDT & DPDT models with numerous options.
- Panel, panel & p.c. and p.c. mounting models, lighted and unlighted.

SPECIFICATIONS

Contact ratings (resistive loads):	(Q) power models - coin silver: 6 Amps at 125 VAC, 3 Amps at 250 VAC or 7 Amps at 30 VDC. (B) dry circuit models - gold over nickel over brass: 0.4 VA max. at 20 V max. UL models - coin silver: 6 Amps at 125 VAC or 3 Amps at 250 VAC (75% power factor). UL file no. E66367. CSA models - coin silver: same ratings as UL models. CSA file no. LR54592-1.
Initial contact resistance:	3 milliohms max. at 3 VDC, 0.1 Amp.
Insulation resistance:	Greater than 200,000 megohms between terminals & case ground.
Dielectric strength:	Greater than 2000 VAC for 1 minute between terminals & case ground.
Electrical life (resistive loads):	100,000 cycles min. for ST1-1 & ST2-1. Other models, 40,000 cycles min.
Operating temperature range:	-30°C to +85°C

MATERIALS

Contacts:	Coin silver for power, UL & CSA models. Gold over nickel over brass for dry circuit models.
Actuator:	Brass, bright nickel or chrome plated.
Bushing:	Nickel plated brass
Strap:	Stainless steel
Case:	Melamine Phenolic, color red
Terminal seal:	Epoxy (optional)
Support bracket:	Brass or steel, tin plated
Spring mounting bracket:	Stainless steel
Bezel & bezel insert:	Nylon. Available in black, red & white. Consult factory for other colors.
Hardware:	See 'Miscellaneous' section.
LED:	Intensity: 2.0 mcd at 10 mA. Forward voltage: 2.0V (3.0V max.). Max. continuous forward current: 15 mA for red, 30 mA for green & 20 mA for yellow. Red is standard. Yellow & green are optional. Specifications are subject to change without notice - consult factory.

AGENCY RECOGNITION



UL, & CSA. Marking: Switches ordered by UL model number are supplied with recognition marking. Switches ordered by UL model no. and with '/CSA' added at end of model no. are supplied with both recognitions marked.

ABOUT THIS SERIES

The material in this series is organized in the following sequence:

- Completely specified switch models
- Miscellaneous
- 'build your own switch' order format
- Option drawings & information
- Panel cut-outs

SPECIFICATIONS SUBJECT TO CHANGE WITHOUT NOTICE

ST SERIES - MINIATURE TOGGLE SWITCHES

Solder lug terminals - panel mounting

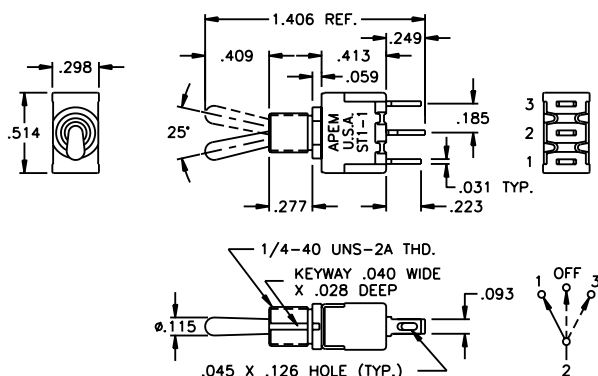
SINGLE POLE



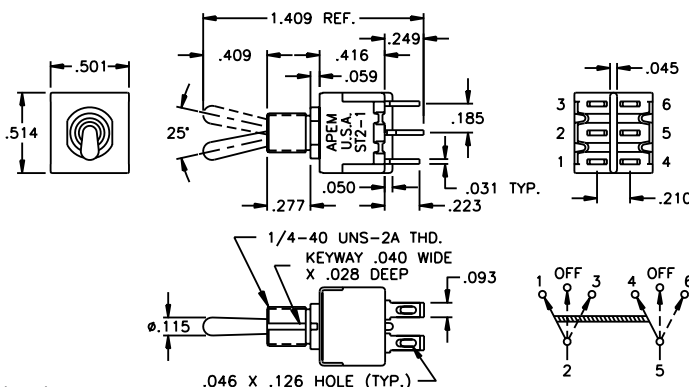
DOUBLE POLE



	POWER CKT. MODEL NO.	UL MODEL NO.				Key-way
Single pole	ST1-1KMZQ	UL11KMZQ	ON	NONE	ON	
	ST1-2KMZQ	UL12KMZQ	ON	OFF	ON	
	ST1-3KMZQ	UL13KMZQ	MOM	OFF	MOM	
	ST1-4KMZQ	UL14KMZQ	ON	OFF	MOM	
	ST1-5KMZQ	UL15KMZQ	ON	NONE	MOM	
Double pole	ST2-1KMZQ	UL21KMZQ	ON	NONE	ON	
	ST2-2KMZQ	UL22KMZQ	ON	OFF	ON	
	ST2-3KMZQ	UL23KMZQ	MOM	OFF	MOM	
	ST2-4KMZQ	UL24KMZQ	ON	OFF	MOM	
	ST2-5KMZQ	UL25KMZQ	ON	NONE	MOM	
	ST2-6KMZQ	UL26KMZQ	ON	ON	ON	
	ST2-7KMZQ	UL27KMZQ	ON	ON	MOM	
ST2-8KMZQ	UL28KMZQ	MOM	ON	MOM		
Terminals connected (-6, -7 & -8)			1-2, 4-5	1-2, 5-6	2-3, 5-6	



Terminal numbers for reference only



DOUBLE POLE

SINGLE POLE

Straight p.c. terminals - panel mounting

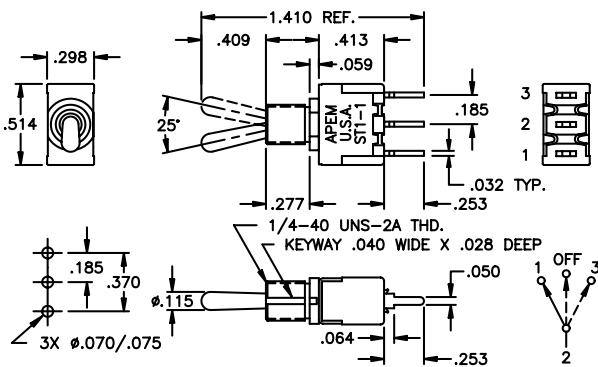
SINGLE POLE



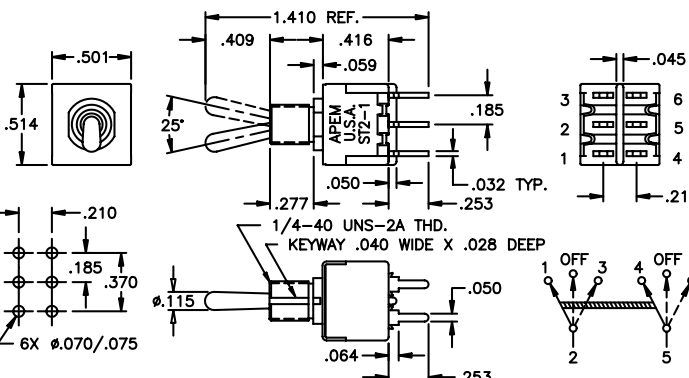
DOUBLE POLE



	DRY CKT. MODEL NO.	UL MODEL NO.				Key-way
Single pole	ST1-1KM CB	UL11KM CB	ON	NONE	ON	
	ST1-2KM CB	UL12KM CB	ON	OFF	ON	
	ST1-3KM CB	UL13KM CB	MOM	OFF	MOM	
	ST1-4KM CB	UL14KM CB	ON	OFF	MOM	
	ST1-5KM CB	UL15KM CB	ON	NONE	MOM	
Double pole	ST2-1KM CB	UL21KM CB	ON	NONE	ON	
	ST2-2KM CB	UL22KM CB	ON	OFF	ON	
	ST2-3KM CB	UL23KM CB	MOM	OFF	MOM	
	ST2-4KM CB	UL24KM CB	ON	OFF	MOM	
	ST2-5KM CB	UL25KM CB	ON	NONE	MOM	
	ST2-6KM CB	UL26KM CB	ON	ON	ON	
	ST2-7KM CB	UL27KM CB	ON	ON	MOM	
ST2-8KM CB	UL28KM CB	MOM	ON	MOM		
Terminals connected (-6, -7 & -8)			1-2, 4-5	1-2, 5-6	2-3, 5-6	



Terminal numbers for reference only



DOUBLE POLE

SINGLE POLE

SPECIFICATIONS SUBJECT TO CHANGE WITHOUT NOTICE

ST SERIES - MINIATURE TOGGLE SWITCHES

Flatted actuator - panel mounting

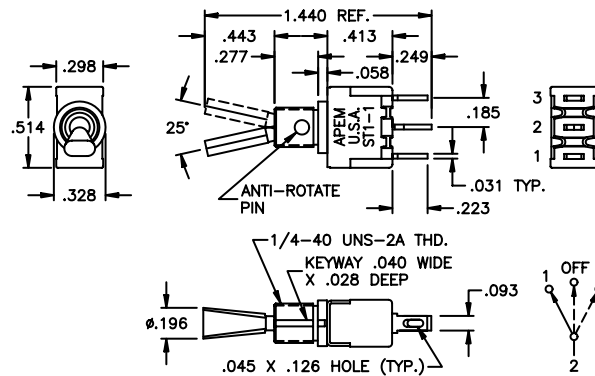
SINGLE POLE



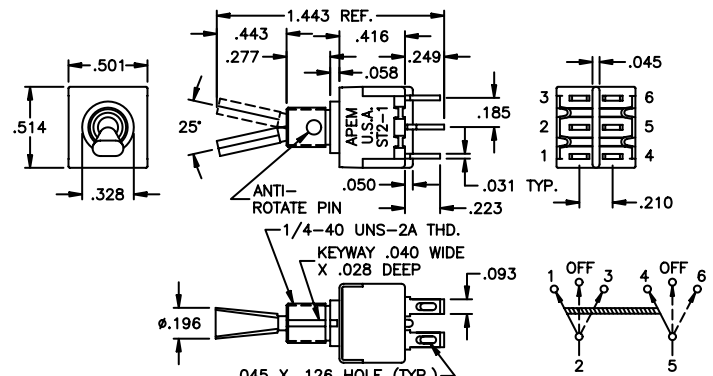
DOUBLE POLE



	POWER CKT. MODEL NO.	UL MODEL NO.				Key way
Single pole	ST1-1F1MZQ	UL11F1MZQ	ON	NONE	ON	
	ST1-2F1MZQ	UL12F1MZQ	ON	OFF	ON	
	ST1-3F1MZQ	UL13F1MZQ	MOM	OFF	MOM	
	ST1-4F1MZQ	UL14F1MZQ	ON	OFF	MOM	
	ST1-5F1MZQ	UL15F1MZQ	ON	NONE	MOM	
Double pole	ST2-1F1MZQ	UL21F1MZQ	ON	NONE	ON	
	ST2-2F1MZQ	UL22F1MZQ	ON	OFF	ON	
	ST2-3F1MZQ	UL23F1MZQ	MOM	OFF	MOM	
	ST2-4F1MZQ	UL24F1MZQ	ON	OFF	MOM	
	ST2-5F1MZQ	UL25F1MZQ	ON	NONE	MOM	
	ST2-6F1MZQ	UL26F1MZQ	ON	ON	ON	
	ST2-7F1MZQ	UL27F1MZQ	ON	ON	MOM	
	ST2-8F1MZQ	UL28F1MZQ	MOM	ON	MOM	
Terminals connected (-6, -7 & -8)			1-2, 4-5	1-2, 5-6	2-3, 5-6	



Terminal numbers for reference only



DOUBLE POLE

Splashproof bushing - panel mounting

An 'o'-ring placed internally between the actuator and the bushing, and a gasket placed externally between the bushing flange and mounting panel provides static protection from 3.3 ft. (1 meter) of water for 30 minutes.

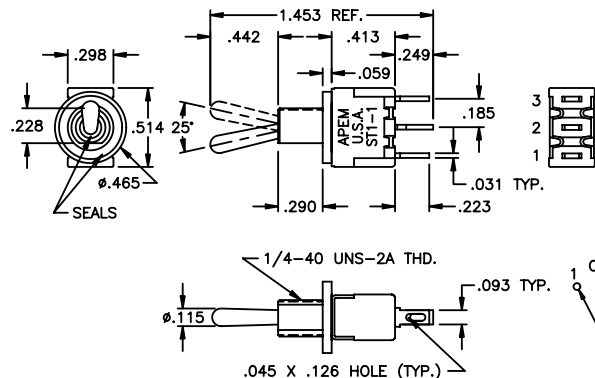
SINGLE POLE



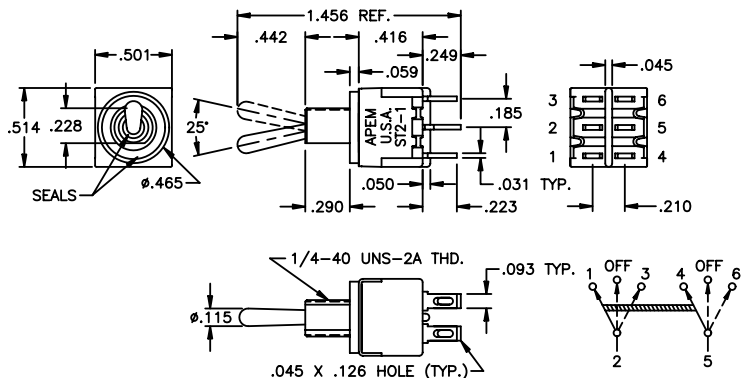
DOUBLE POLE



	POWER CKT. MODEL NO.	UL MODEL NO.				Key way
Single pole	ST1-1KHZQ	UL11KHZQ	ON	NONE	ON	
	ST1-2KHZQ	UL12KHZQ	ON	OFF	ON	
	ST1-3KHZQ	UL13KHZQ	MOM	OFF	MOM	
	ST1-4KHZQ	UL14KHZQ	ON	OFF	MOM	
	ST1-5KHZQ	UL15KHZQ	ON	NONE	MOM	
Double pole	ST2-1KHZQ	UL21KHZQ	ON	NONE	ON	
	ST2-2KHZQ	UL22KHZQ	ON	OFF	ON	
	ST2-3KHZQ	UL23KHZQ	MOM	OFF	MOM	
	ST2-4KHZQ	UL24KHZQ	ON	OFF	MOM	
	ST2-5KHZQ	UL25KHZQ	ON	NONE	MOM	
	ST2-6KHZQ	UL26KHZQ	ON	ON	ON	
	ST2-7KHZQ	UL27KHZQ	ON	ON	MOM	
	ST2-8KHZQ	UL28KHZQ	MOM	ON	MOM	
Terminals connected (-6, -7 & -8)			1-2, 4-5	1-2, 5-6	2-3, 5-6	



Terminal numbers for reference only



DOUBLE POLE

SPECIFICATIONS SUBJECT TO CHANGE WITHOUT NOTICE

ST SERIES - MINIATURE TOGGLE SWITCHES

15/32" threaded bushing - panel mounting

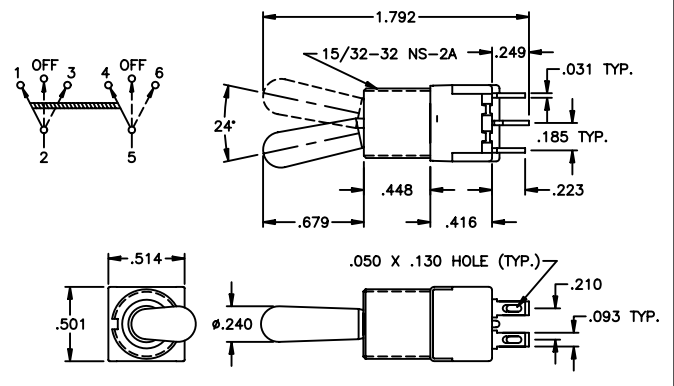
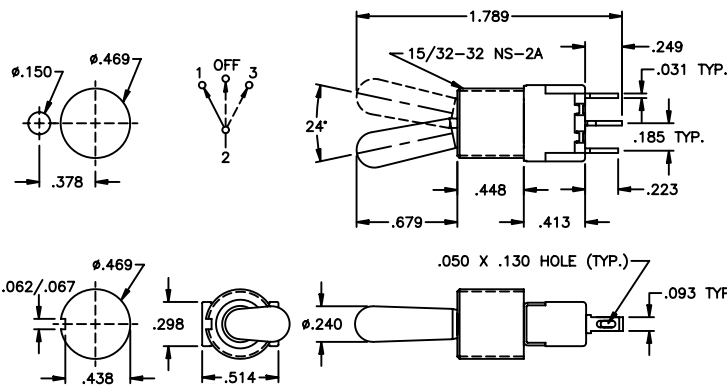
SINGLE POLE WITH T1 ACTUATOR



DOUBLE POLE WITH T2 ACTUATOR



	POWER CKT. MODEL NO.	UL MODEL NO.				Key-way
Single pole	ST1-1T1M4ZQ	UL11T1M4ZQ	ON	NONE	ON	
	ST1-2T1M4ZQ	UL12T1M4ZQ	ON	OFF	ON	
	ST1-3T1M4ZQ	UL13T1M4ZQ	MOM	OFF	MOM	
	ST1-4T1M4ZQ	UL14T1M4ZQ	ON	OFF	MOM	
	ST1-5T1M4ZQ	UL15T1M4ZQ	ON	NONE	MOM	
Double pole	ST2-1T1M4ZQ	UL21T1M4ZQ	ON	NONE	ON	
	ST2-2T1M4ZQ	UL22T1M4ZQ	ON	OFF	ON	
	ST2-3T1M4ZQ	UL23T1M4ZQ	MOM	OFF	MOM	
	ST2-4T1M4ZQ	UL24T1M4ZQ	ON	OFF	MOM	
	ST2-5T1M4ZQ	UL25T1M4ZQ	ON	NONE	MOM	
	ST2-6T1M4ZQ	UL26T1M4ZQ	ON	ON	ON	
	ST2-7T1M4ZQ	UL27T1M4ZQ	ON	ON	MOM	
	ST2-8T1M4ZQ	UL28T1M4ZQ	MOM	ON	MOM	
Terminals connected (-6, -7 & -8)			1-2, 4-5	1-2, 5-6	2-3, 5-6	



SINGLE POLE

Terminal numbers for reference only

DOUBLE POLE

Straight p.c. terminals with bracket - p.c. mounting

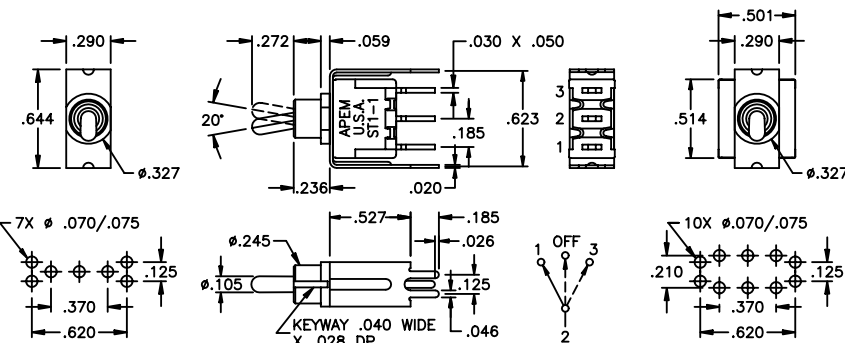
SINGLE POLE



DOUBLE POLE



	DRY CKT. MODEL NO.	UL MODEL NO.				Key-way
Single pole	ST1-1L3S3V30B	UL11L3S3V30Q	ON	NONE	ON	
	ST1-2L3S3V30B	UL12L3S3V30Q	ON	OFF	ON	
	ST1-3L3S3V30B	UL13L3S3V30Q	MOM	OFF	MOM	
	ST1-4L3S3V30B	UL14L3S3V30Q	ON	OFF	MOM	
	ST1-5L3S3V30B	UL15L3S3V30Q	ON	NONE	MOM	
Double pole	ST2-1L3S3V30B	UL21L3S3V30Q	ON	NONE	ON	
	ST2-2L3S3V30B	UL22L3S3V30Q	ON	OFF	ON	
	ST2-3L3S3V30B	UL23L3S3V30Q	MOM	OFF	MOM	
	ST2-4L3S3V30B	UL24L3S3V30Q	ON	OFF	MOM	
	ST2-5L3S3V30B	UL25L3S3V30Q	ON	NONE	MOM	
	ST2-6L3S3V30B	UL26L3S3V30Q	ON	ON	ON	
	ST2-7L3S3V30B	UL27L3S3V30Q	ON	ON	MOM	
	ST2-8L3S3V30B	UL28L3S3V30Q	MOM	ON	MOM	
Terminals connected (-6, -7 & -8)			1-2, 4-5	1-2, 5-6	2-3, 5-6	



SINGLE POLE

Terminal numbers for reference only

DOUBLE POLE

SPECIFICATIONS SUBJECT TO CHANGE WITHOUT NOTICE

ST SERIES - MINIATURE TOGGLE SWITCHES

Horizontal right angle p.c. terminals - p.c. mounting

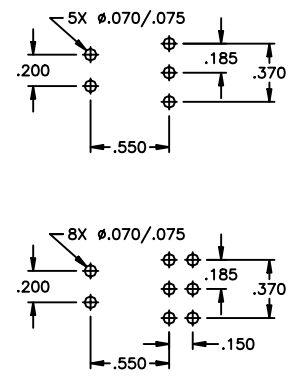
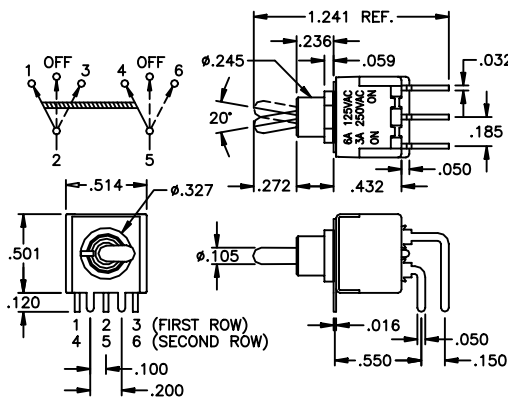
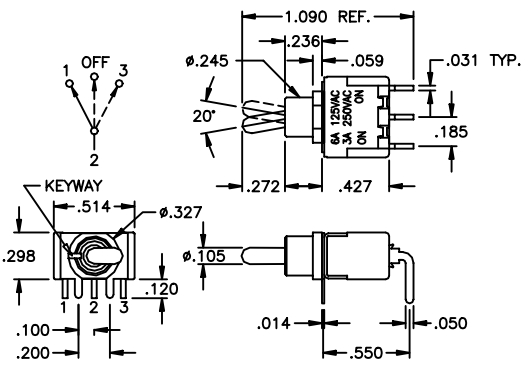
SINGLE POLE



DOUBLE POLE



	DRY CKT. MODEL NO.	UL MODEL NO.				Key way
Single pole	ST1-1L3S3A-1B	UL11L3S3A-1Q	ON	NONE	ON	
	ST1-2L3S3A-1B	UL12L3S3A-1Q	ON	OFF	ON	
	ST1-3L3S3A-1B	UL13L3S3A-1Q	MOM	OFF	MOM	
	ST1-4L3S3A-1B	UL14L3S3A-1Q	ON	OFF	MOM	
	ST1-5L3S3A-1B	UL15L3S3A-1Q	ON	NONE	MOM	
Double pole	ST2-1L3S3A-1B	UL21L3S3A-1Q	ON	NONE	ON	
	ST2-2L3S3A-1B	UL22L3S3A-1Q	ON	OFF	ON	
	ST2-3L3S3A-1B	UL23L3S3A-1Q	MOM	OFF	MOM	
	ST2-4L3S3A-1B	UL24L3S3A-1Q	ON	OFF	MOM	
	ST2-5L3S3A-1B	UL25L3S3A-1Q	ON	NONE	MOM	
	ST2-6L3S3A-1B	UL26L3S3A-1Q	ON	ON	ON	
	ST2-7L3S3A-1B	UL27L3S3A-1Q	ON	ON	MOM	
	ST2-8L3S3A-1B	UL28L3S3A-1Q	MOM	ON	MOM	
Terminals connected (-6, -7 & -8)			1-2, 4-5	1-2, 5-6	2-3, 5-6	



SINGLE POLE

DOUBLE POLE

Terminal numbers for reference only

Vertical right angle p.c. terminals - p.c. mounting

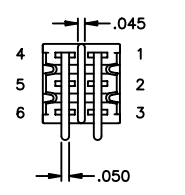
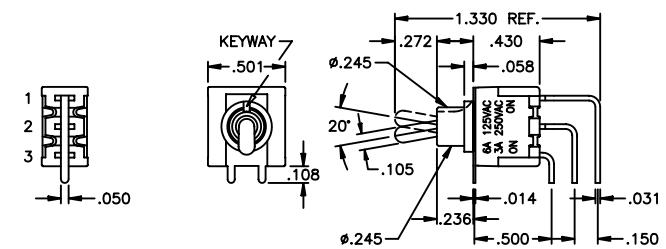
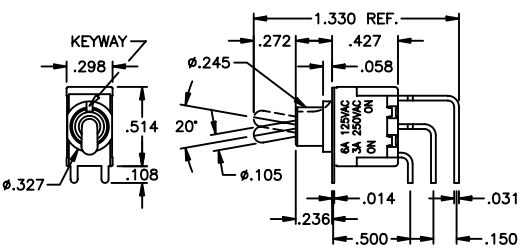
SINGLE POLE



DOUBLE POLE



	DRY CKT. MODEL NO.	UL MODEL NO.				Key way
Single pole	ST1-1L3S3V-1B	UL11L3S3V-1Q	ON	NONE	ON	
	ST1-2L3S3V-1B	UL12L3S3V-1Q	ON	OFF	ON	
	ST1-3L3S3V-1B	UL13L3S3V-1Q	MOM	OFF	MOM	
	ST1-4L3S3V-1B	UL14L3S3V-1Q	ON	OFF	MOM	
	ST1-5L3S3V-1B	UL15L3S3V-1Q	ON	NONE	MOM	
Double pole	ST2-1L3S3V-1B	UL21L3S3V-1Q	ON	NONE	ON	
	ST2-2L3S3V-1B	UL22L3S3V-1Q	ON	OFF	ON	
	ST2-3L3S3V-1B	UL23L3S3V-1Q	MOM	OFF	MOM	
	ST2-4L3S3V-1B	UL24L3S3V-1Q	ON	OFF	MOM	
	ST2-5L3S3V-1B	UL25L3S3V-1Q	ON	NONE	MOM	
	ST2-6L3S3V-1B	UL26L3S3V-1Q	ON	ON	ON	
	ST2-7L3S3V-1B	UL27L3S3V-1Q	ON	ON	MOM	
	ST2-8L3S3V-1B	UL28L3S3V-1Q	MOM	ON	MOM	
Terminals connected (-6, -7 & -8)			1-2, 4-5	1-2, 5-6	2-3, 5-6	



SINGLE POLE

DOUBLE POLE

Terminal numbers for reference only

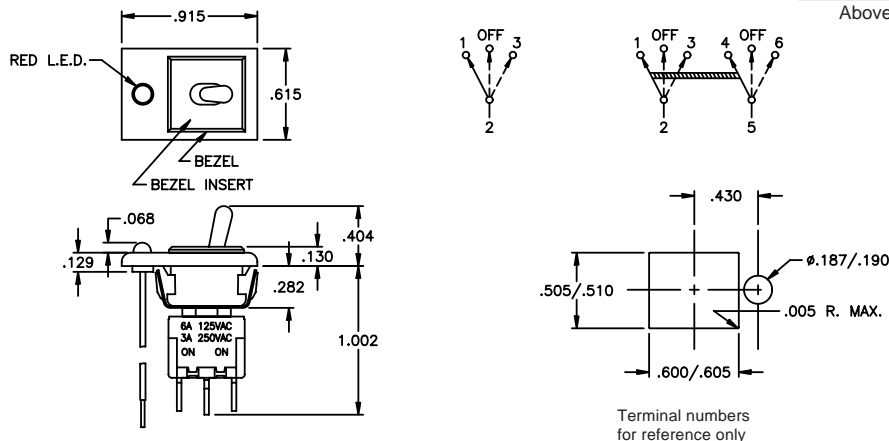
SPECIFICATIONS SUBJECT TO CHANGE WITHOUT NOTICE

ST SERIES - MINIATURE TOGGLE SWITCHES

Snap-in bezel with outboard LED

PATENT NO.
Des. 282,524

UL11KMZQJ6128



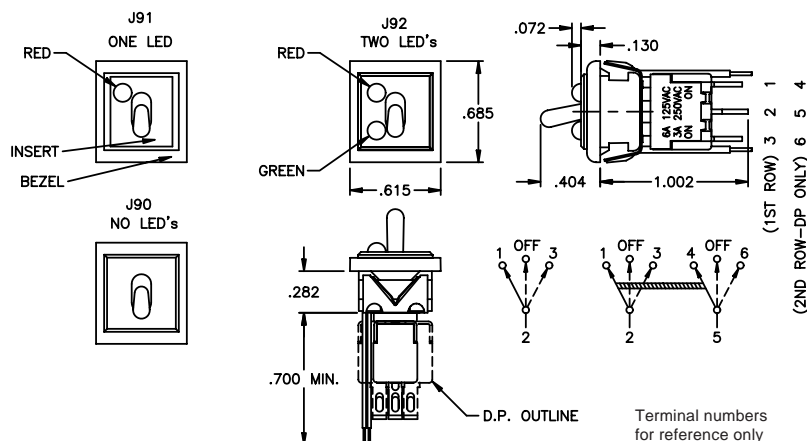
	POWER CKT. MODEL NO.	UL MODEL NO.	USA marking on opposite side		
Single pole	ST1-1KMZQJ6122	UL11KMZQJ6122	ON	NONE	ON
	ST1-2KMZQJ6122	UL12KMZQJ6122	ON	OFF	ON
	ST1-3KMZQJ6122	UL13KMZQJ6122	MOM	OFF	MOM
	ST1-4KMZQJ6122	UL14KMZQJ6122	ON	OFF	MOM
	ST1-5KMZQJ6122	UL15KMZQJ6122	ON	NONE	MOM
Double pole	ST2-1KMZQJ6122	UL21KMZQJ6122	ON	NONE	ON
	ST2-2KMZQJ6122	UL22KMZQJ6122	ON	OFF	ON
	ST2-3KMZQJ6122	UL23KMZQJ6122	MOM	OFF	MOM
	ST2-4KMZQJ6122	UL24KMZQJ6122	ON	OFF	MOM
	ST2-5KMZQJ6122	UL25KMZQJ6122	ON	NONE	MOM
	ST2-6KMZQJ6122	UL26KMZQJ6122	ON	ON	ON
	ST2-7KMZQJ6122	UL27KMZQJ6122	ON	ON	MOM
	ST2-8KMZQJ6122	UL28KMZQJ6122	MOM	ON	MOM
Terminals connected (-6, -7 & -8)			1-2, 4-5	1-2, 5-6	2-3, 5-6

Above models have black bezel and insert.

Snap-in bezel with 0, 1 or 2 inboard LEDs

PATENT NO.
Des. 282,524

ST1-1KMZQJ9128



	POWER CKT. MODEL NO.	UL MODEL NO.	USA marking on opposite side		
Single pole	ST1-1KMZQJ9122	UL11KMZQJ9122	ON	NONE	ON
	ST1-2KMZQJ9122	UL12KMZQJ9122	ON	OFF	ON
	ST1-3KMZQJ9122	UL13KMZQJ9122	MOM	OFF	MOM
	ST1-4KMZQJ9122	UL14KMZQJ9122	ON	OFF	MOM
	ST1-5KMZQJ9122	UL15KMZQJ9122	ON	NONE	MOM
Double pole	ST2-1KMZQJ9122	UL21KMZQJ9122	ON	NONE	ON
	ST2-2KMZQJ9122	UL22KMZQJ9122	ON	OFF	ON
	ST2-3KMZQJ9122	UL23KMZQJ9122	MOM	OFF	MOM
	ST2-4KMZQJ9122	UL24KMZQJ9122	ON	OFF	MOM
	ST2-5KMZQJ9122	UL25KMZQJ9122	ON	NONE	MOM
	ST2-6KMZQJ9122	UL26KMZQJ9122	ON	ON	ON
	ST2-7KMZQJ9122	UL27KMZQJ9122	ON	ON	MOM
	ST2-8KMZQJ9122	UL28KMZQJ9122	MOM	ON	MOM
Terminals connected (-6, -7 & -8)			1-2, 4-5	1-2, 5-6	2-3, 5-6

Above models have black bezel and insert.

SPECIFICATIONS SUBJECT TO CHANGE WITHOUT NOTICE

ST SERIES - MINIATURE TOGGLE SWITCHES

Bezel for p.c. mounted switches with 0, 1 or 2 LEDs

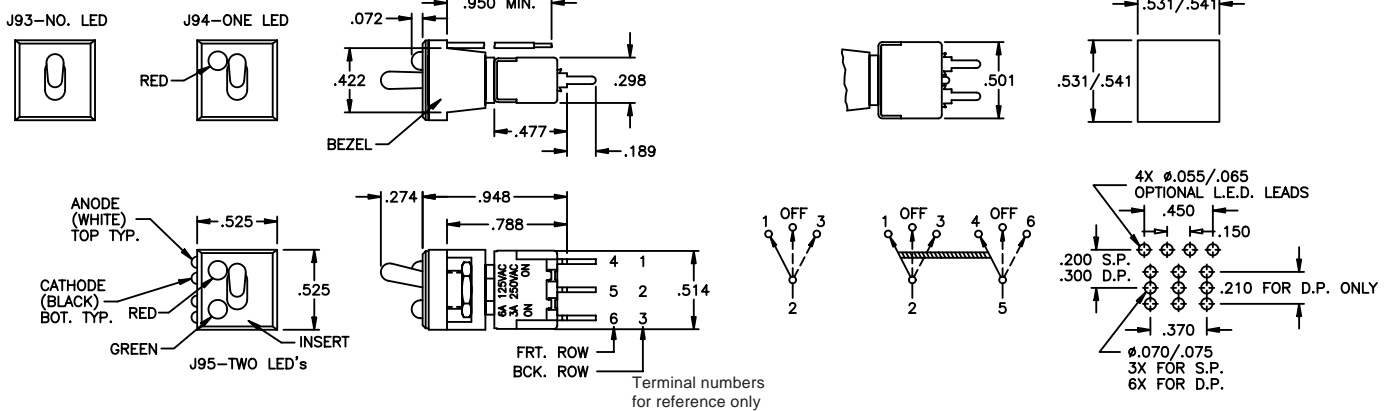
PATENT NO.
Des. 282,524

ST1-1KMCBJ9488



	DRY CKT. MODEL NO.	UL MODEL NO.	USA marking on opposite side		
Single pole	ST1-1KMCBJ9422	UL11KMCQJ9422	ON	NONE	ON
	ST1-2KMCBJ9422	UL12KMCQJ9422	ON	OFF	ON
	ST1-3KMCBJ9422	UL13KMCQJ9422	MOM	OFF	MOM
	ST1-4KMCBJ9422	UL14KMCQJ9422	ON	OFF	MOM
	ST1-5KMCBJ9422	UL15KMCQJ9422	ON	NONE	MOM
Double pole	ST2-1KMCBJ9422	UL21KMCQJ9422	ON	NONE	ON
	ST2-2KMCBJ9422	UL22KMCQJ9422	ON	OFF	ON
	ST2-3KMCBJ9422	UL23KMCQJ9422	MOM	OFF	MOM
	ST2-4KMCBJ9422	UL24KMCQJ9422	ON	OFF	MOM
	ST2-5KMCBJ9422	UL25KMCQJ9422	ON	NONE	MOM
	ST2-6KMCBJ9422	UL26KMCQJ9422	ON	ON	ON
	ST2-7KMCBJ9422	UL27KMCQJ9422	ON	ON	MOM
	ST2-8KMCBJ9422	UL28KMCQJ9422	MOM	ON	MOM
Terminals connected (-6, -7 & -8)			1-2, 4-5	1-2, 5-6	2-3, 5-6

Above models have black bezel and insert.



Bezel for p.c. mounted switches with 0, 1 or 2 LEDs

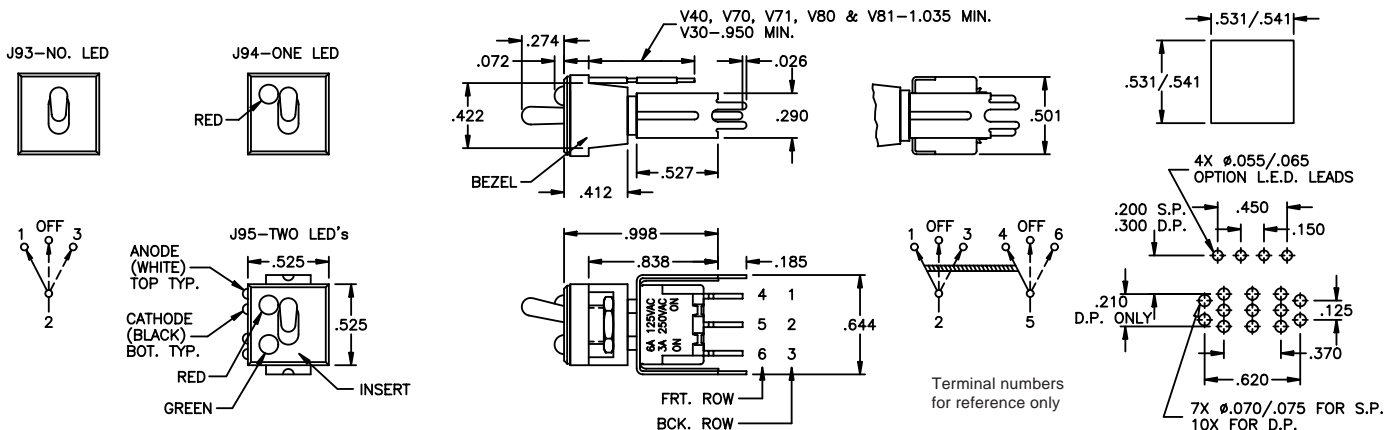
PATENT NO.
Des. 282,524

ST1-1KMV30QJ9488



	DRY CKT. MODEL NO.	UL MODEL NO.	USA marking on opposite side		
Single pole	ST1-1KMV30BJ9422	UL11KMV30QJ9422	ON	NONE	ON
	ST1-2KMV30BJ9422	UL12KMV30QJ9422	ON	OFF	ON
	ST1-3KMV30BJ9422	UL13KMV30QJ9422	MOM	OFF	MOM
	ST1-4KMV30BJ9422	UL14KMV30QJ9422	ON	OFF	MOM
	ST1-5KMV30BJ9422	UL15KMV30QJ9422	ON	NONE	MOM
Double pole	ST2-1KMV30BJ9422	UL21KMV30QJ9422	ON	NONE	ON
	ST2-2KMV30BJ9422	UL22KMV30QJ9422	ON	OFF	ON
	ST2-3KMV30BJ9422	UL23KMV30QJ9422	MOM	OFF	MOM
	ST2-4KMV30BJ9422	UL24KMV30QJ9422	ON	OFF	MOM
	ST2-5KMV30BJ9422	UL25KMV30QJ9422	ON	NONE	MOM
	ST2-6KMV30BJ9422	UL26KMV30QJ9422	ON	ON	ON
	ST2-7KMV30BJ9422	UL27KMV30QJ9422	ON	ON	MOM
	ST2-8KMV30BJ9422	UL28KMV30QJ9422	MOM	ON	MOM
Terminals connected (-6, -7 & -8)			1-2, 4-5	1-2, 5-6	2-3, 5-6

Above models have black bezel and insert.



ST SERIES - MINIATURE TOGGLE SWITCHES

Bezel for right angle p.c. mtd. switches with 0, 1 or 2 LEDs

PATENT NO.
Des. 282,524



ST1-1KMA-1BJ9488

Poles	Option	Dim. A	Dim. B
SP	A	.148	.045 max.
SP	A-1	.164	.095 max.
DP	A	.250	.300 max.
DP	A-1	.266	.350 max.

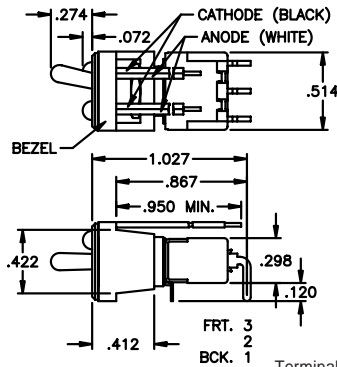
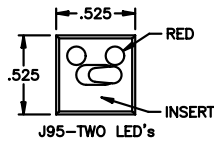
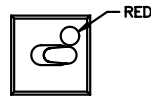
	DRY CKT. MODEL NO.	UL MODEL NO.	USA marking on opposite side		
Single pole	ST1-1KMA-1BJ9422	UL11KMA-1QJ9422	ON	NONE	ON
	ST1-2KMA-1BJ9422	UL12KMA-1QJ9422	ON	OFF	ON
	ST1-3KMA-1BJ9422	UL13KMA-1QJ9422	MOM	OFF	MOM
	ST1-4KMA-1BJ9422	UL14KMA-1QJ9422	ON	OFF	MOM
	ST1-5KMA-1BJ9422	UL15KMA-1QJ9422	ON	NONE	MOM
Double pole	ST2-1KMA-1BJ9422	UL21KMA-1QJ9422	ON	NONE	ON
	ST2-2KMA-1BJ9422	UL22KMA-1QJ9422	ON	OFF	ON
	ST2-3KMA-1BJ9422	UL23KMA-1QJ9422	MOM	OFF	MOM
	ST2-4KMA-1BJ9422	UL24KMA-1QJ9422	ON	OFF	MOM
	ST2-5KMA-1BJ9422	UL25KMA-1QJ9422	ON	NONE	MOM
	ST2-6KMA-1BJ9422	UL26KMA-1QJ9422	ON	ON	ON
ST2-7KMA-1BJ9422			ON	ON	MOM
ST2-8KMA-1BJ9422			MOM	ON	MOM
Terminals connected (-6, -7 & -8)			1-2, 4-5	1-2, 5-6	2-3, 5-6

Above models have black bezel and insert.

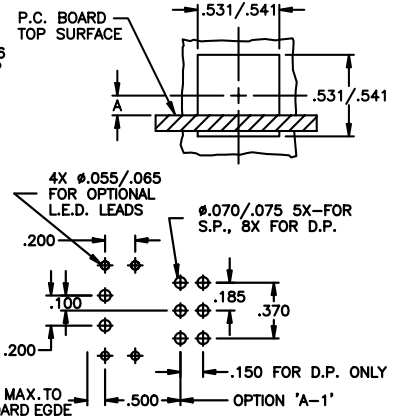
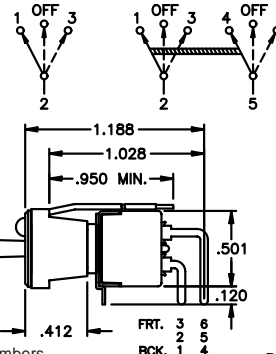
J93-NO. LED



J94-ONE LED



Terminal numbers for reference only



Bezel for right angle p.c. mtd. switches with 0, 1 or 2 LEDs

PATENT NO.
Des. 282,524



ST1-1KMV-1BJ9488

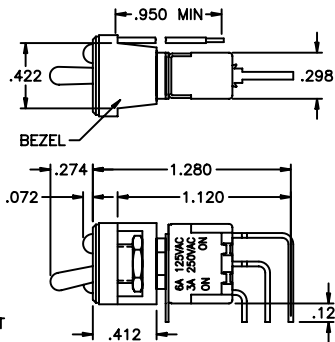
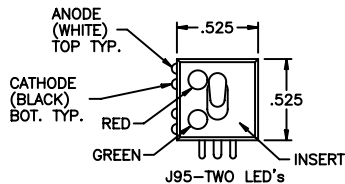
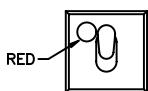
	DRY CKT. MODEL NO.	UL MODEL NO.	USA marking on opposite side		
Single pole	ST1-1KMV-1BJ9422	UL11KMV-1QJ9422	ON	NONE	ON
	ST1-2KMV-1BJ9422	UL12KMV-1QJ9422	ON	OFF	ON
	ST1-3KMV-1BJ9422	UL13KMV-1QJ9422	MOM	OFF	MOM
	ST1-4KMV-1BJ9422	UL14KMV-1QJ9422	ON	OFF	MOM
	ST1-5KMV-1BJ9422	UL15KMV-1QJ9422	ON	NONE	MOM
Double pole	ST2-1KMV-1BJ9422	UL21KMV-1QJ9422	ON	NONE	ON
	ST2-2KMV-1BJ9422	UL22KMV-1QJ9422	ON	OFF	ON
	ST2-3KMV-1BJ9422	UL23KMV-1QJ9422	MOM	OFF	MOM
	ST2-4KMV-1BJ9422	UL24KMV-1QJ9422	ON	OFF	MOM
	ST2-5KMV-1BJ9422	UL25KMV-1QJ9422	ON	NONE	MOM
	ST2-6KMV-1BJ9422	UL26KMV-1QJ9422	ON	ON	ON
ST2-7KMV-1BJ9422			ON	ON	MOM
ST2-8KMV-1BJ9422			MOM	ON	MOM
Terminals connected (-6, -7 & -8)			1-2, 4-5	1-2, 5-6	2-3, 5-6

Above models have black bezel and insert.

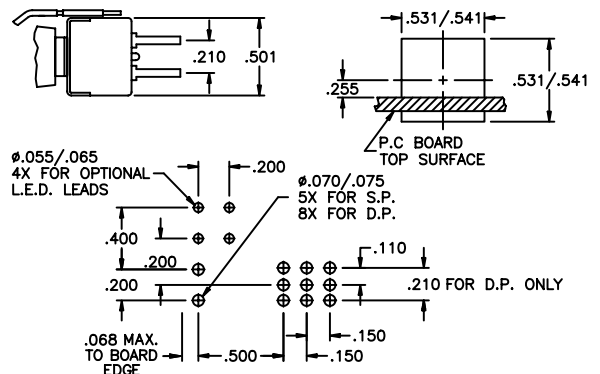
J93-NO. LED



J94-ONE LED



Terminal numbers for reference only



ST SERIES - MINIATURE TOGGLE SWITCHES

A

Snap-in bezel for round hole mounting with 0, 1 or 2 LEDs

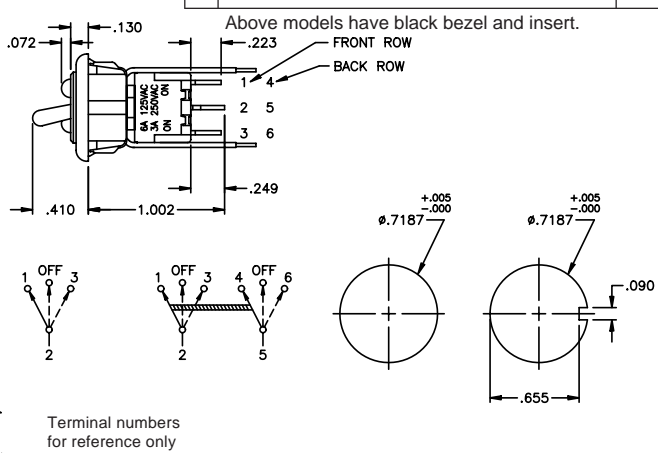
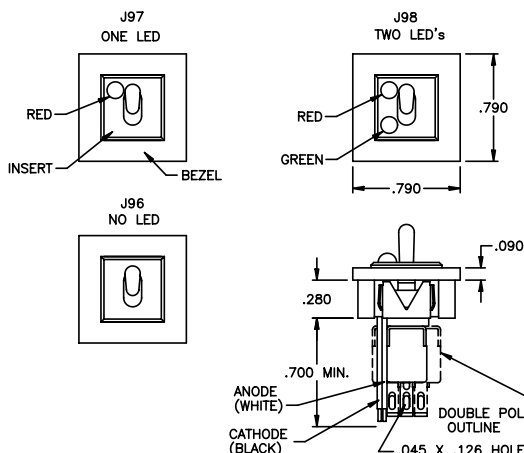
Self keying against rotation

PATENT NO.
Des. 282,524

ST1-1KMZQJ9788



	POWER CKT. MODEL NO.	UL MODEL NO.	USA marking on opposite side		
Single pole	ST1-1KMZQJ9722	UL11KMZQJ9722	ON	NONE	ON
	ST1-2KMZQJ9722	UL12KMZQJ9722	ON	OFF	ON
	ST1-3KMZQJ9722	UL13KMZQJ9722	MOM	OFF	MOM
	ST1-4KMZQJ9722	UL14KMZQJ9722	ON	OFF	MOM
	ST1-5KMZQJ9722	UL15KMZQJ9722	ON	NONE	MOM
Double pole	ST2-1KMZQJ9722	UL21KMZQJ9722	ON	NONE	ON
	ST2-2KMZQJ9722	UL22KMZQJ9722	ON	OFF	ON
	ST2-3KMZQJ9722	UL23KMZQJ9722	MOM	OFF	MOM
	ST2-4KMZQJ9722	UL24KMZQJ9722	ON	OFF	MOM
	ST2-5KMZQJ9722	UL25KMZQJ9722	ON	NONE	MOM
	ST2-6KMZQJ9722	UL26KMZQJ9722	ON	ON	ON
	ST2-7KMZQJ9722	UL27KMZQJ9722	ON	ON	MOM
	ST2-8KMZQJ9722	UL28KMZQJ9722	MOM	ON	MOM
Terminals connected (-6, -7 & -8)			1-2,	1-2,	2-3,
			4-5	5-6	5-6



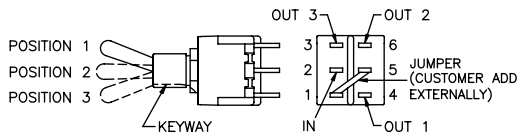
SPECIFICATIONS SUBJECT TO CHANGE WITHOUT NOTICE

MISCELLANEOUS

ST2-6, -7 & -8 SWITCHES

May be wired as a single pole 3 position switch; add external jumper between terminals 1 & 5, then -

Common terminal is 2
Output 1 - terminal 4
Output 2 - terminal 6
Output 3 - terminal 3



QUICK-CONNECT RECEPTACLES that are compatible with solder lug or p.c. terminals are commercially available - consult factory.

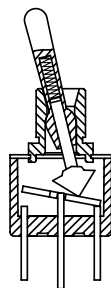
FRONT PANEL SEAL: Silicone rubber boots for front panel sealing of the switch against high pressure water or other contaminants are available - see Waterproof switch sealing boots section of catalog.

HARDWARE SUPPLIED

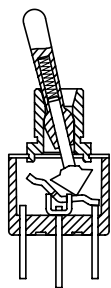
(See Hardware section of catalog)
Switches with M and Y option bushings are supplied with (2) A112 Hex Nuts, (1) A115 Lockwasher and (1) A107 Anti-rotate Ring.
Switches with D bushings are supplied with (2) A112 Hex Nuts and (1) A115 Lockwasher.
Switches with H option bushing are supplied with (1) A112 Hex Nut, (1) A115 Lockwasher and (1) A257 Gasket.
Switches with M4 and M5 bushings are supplied with (2) A465 Hex Nuts, (1) A466 Lockwasher and (1) A482 Anti-rotate Ring.
Note: Switches with non-threaded bushings or bezels supplied without hardware.

TYPICAL SWITCH CROSS SECTIONS

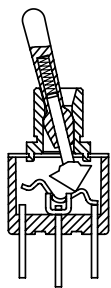
Note: Contacts make opposite actuator direction.



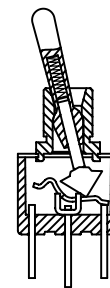
ON NONE ON



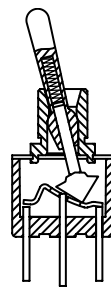
ON OFF ON



MOM OFF MOM



ON OFF MOM



ON NONE MOM

ST SERIES - MINIATURE TOGGLE SWITCHES

Additional ordering information: Commonly ordered models are shown on prior pages with complete model numbers and specifications. Below is an order format that enables you to 'build your own switch' and specify the correct switch model number by simply selecting from all available options shown and filling in the boxes.

'BUILD YOUR OWN SWITCH' ORDER FORMAT

Fill in boxes with selections shown for **Model Structure**, then add **Options** selections for complete model number.

Allowable options are shown below each respective box with brief description - see option dwgs. & info. following.

Note: 'NONE' indicates box may be left empty.

Model Structure:

Series	Electrical functions	Actuators	Bushings	Terminations	Contact material
<input type="text"/>	<input type="text"/>	<input type="text"/>	<input type="text"/>	<input type="text"/>	<input type="text"/>
Single pole: S T 1 -	1 ON NONE ON 2 ON OFF ON	K Standard bat F 1 Flatted	M Standard 1/4" thd'd. D 'D' flat 1/4" thd'd.	Z Solder lug C Printed circuit	B Gold Q Coin silver
S.P. UL model: U L 1	3 MOM OFF MOM 4 ON OFF MOM	F 2 Long flatted F 3 Short flatted	H Splashproof 1/4" thd'd. Y Long 1/4" thd'd.	W Wirewrap W 1 Lg. wirewrap	G Gold/coin silver
Double pole: S T 2 -	5 ON - MOM Following for DP only	L Long round L 1 Medium rnd.	S 2 Non-threaded S 3 Short non-thd'd.	W 3 Sht. wirewrap X Extra lg. wirewrap	N Economy gold T Economy silver
D.P. UL model: U L 2	6 ON ON ON 7 ON ON MOM 8 MOM ON MOM	L 2 Short round L 3 Short round	M 4 15/32" thd'd. M 5 M4 with 'o'-ring	Horiz. right angle p.c. terminals: A A - 1 Vertical right angle p.c. terminals: V V - 1 V - 2	
		Following for M4 & M5 bushings only T 1 Large bat T 2 Long large bat T 3 T1 with keying T 4 T2 with keying		Straight p.c. terminals w/brkt.: V 3 0 V 3 1 V 4 0 V 4 1 V 7 0 V 8 0 V 7 1 V 8 1	

Note: When switch is ordered with a bezel, actuator selection may be **K, L, L1, or L2** and bushing must be **M** only.

Options:

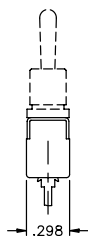
Sealing	Bezel & Insert	Bezel color	Insert color	Approvals
<input type="text"/>	<input type="text"/>	<input type="text"/>	<input type="text"/>	<input type="text"/>
(NONE) E Epoxy	(NONE) J 6 1 Snap-in w/LED J 9 0 Snap-in no LED J 9 1 Snap-in w/LED J 9 2 Snap-in w/2 LEDs J 9 3 p.c. no LED J 9 4 p.c. w/LED J 9 5 p.c. w/2 LEDs Self-keying round hole mt.: J 9 6 Snap-in no LED J 9 7 Snap-in w/LED J 9 8 Snap-in w/2 LEDs	(NONE) 2 Black 6 Red 8 White	(NONE) 2 Black 6 Red 8 White	(NONE) / C S A CSA listing Available on all models except double poles with Z termination

Example of completely specified model number:
UL15KMZQEJ9726/CSA

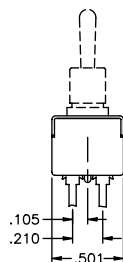
Although most combinations of options are available, some may result in incompatibilities. Consult factory if there is any question.

SWITCH BODY
SIZES WITH
TERMINAL
LOCATION
DIMENSIONS

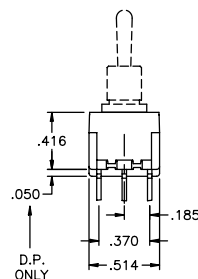
SIDE VIEW SINGLE POLE



SIDE VIEW DOUBLE POLE



FRONT VIEW SINGLE AND DOUBLE POLE



SPECIFICATIONS SUBJECT TO CHANGE WITHOUT NOTICE

ST SERIES - MINIATURE TOGGLE SWITCHES

A

SPECIFICATIONS SUBJECT TO CHANGE WITHOUT NOTICE

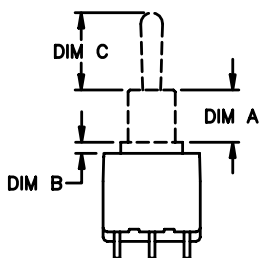
ACTUATOR OPTIONS

<p>L</p> <p>LONG ROUND</p>	<p>F1</p> <p>FLATTED</p>	<p>F2</p> <p>LONG FLATTED</p>	<p>F3</p> <p>SHORT FLATTED</p>	<p>K (STANDARD)</p> <p>ROUND</p>
<p>L1</p> <p>MEDIUM ROUND</p>	<p>L2</p> <p>SHORT ROUND</p>	<p>L3</p> <p>SHORT ROUND</p>	<p>T1 & T2 (FOR M4 & M5 BUSHINGS ONLY)</p> <p>LONG & SHORT ROUND</p>	<p>T3 & T4</p> <p>Same as T1 & T2 respectively except with positive internal keying and sideways support to provide more ruggedness in harsh applications.</p> <p>Available only with M4 bushing</p>

BUSHING OPTIONS

<p>D</p> <p>THREADED</p>	<p>H</p> <p>SPLASHPROOF</p>	<p>SEALS</p>	<p>M (STANDARD)</p> <p>THREADED</p>	<p>Y</p> <p>LONG THREADED</p>
<p>S2</p> <p>NON THREADED</p>	<p>S3</p> <p>NON THREADED</p>	<p>M4 & M5</p> <p>THREADED</p> <p>M5 FEATURES 'O'-RING FOR SPLASHPROOF APPLICATIONS</p>		

ACTUATOR & BUSHING COMPATIBILITY TABLE WITH DIMENSIONS FOR SELECTIONS



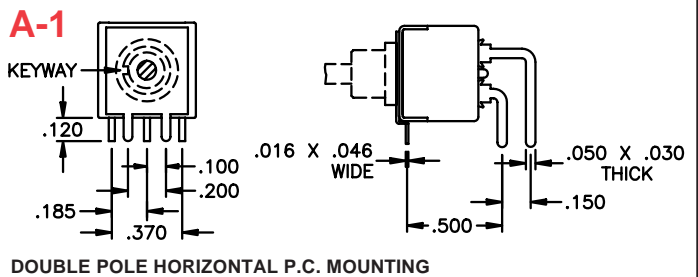
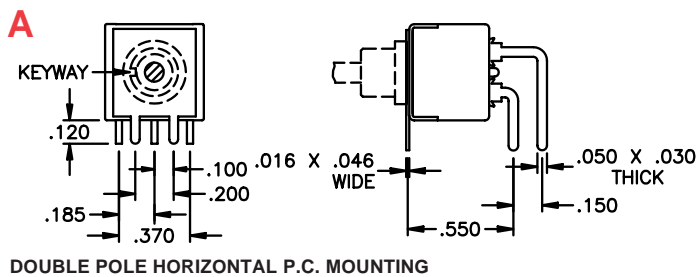
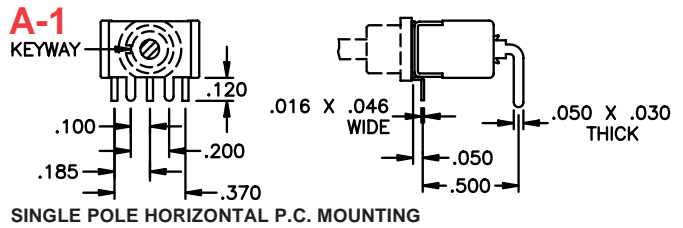
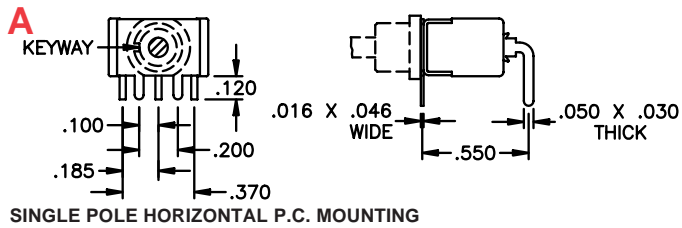
Bushing Option	Bushing Dims.		Actuator length dimension C									
	Dim A	Dim B	F1	F2	F3	K	L	L1	L2	L3	T1	T2
D	.277	.060	N/A	N/A	N/A	.410	.840	.640	.270	.170	N/A	N/A
H	.290	.060	N/A	N/A	N/A	.410	.840	.640	.270	.170	N/A	N/A
M	.277	.060	.450	.650	.250	.410	.840	.640	.270	.170	N/A	N/A
Y	.330	.040	N/A	N/A	N/A	.410	.840	.640	.270	.170	N/A	N/A
S2	.277	.060	.450	.650	.250	.410	.840	.640	.270	.170	N/A	N/A
S3	.177	.060	N/A	N/A	N/A	.510	.940	.740	.370	.270	N/A	N/A
M4	.448	-	N/A	N/A	N/A	N/A	N/A	N/A	N/A	N/A	.460	.687
M5	.448	-	N/A	N/A	N/A	N/A	N/A	N/A	N/A	N/A	.460	.687

N/A - NOT AVAILABLE

CONSULT FACTORY FOR SPECIAL REQUIREMENTS

ST SERIES - MINIATURE TOGGLE SWITCHES

TERMINATION OPTIONS



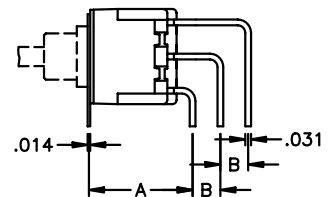
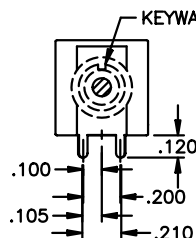
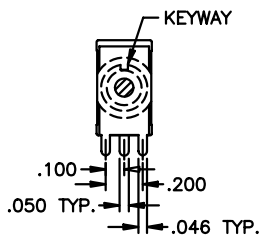
V, V-1 & V-2

FRONT VIEW SINGLE POLE

FRONT VIEW DOUBLE POLE

SIDE VIEW - SINGLE & DOUBLE POLE

Option	Dim. A	Dim. B
V	.550	.150
V-1	.500	.150
V-2	.500	.100

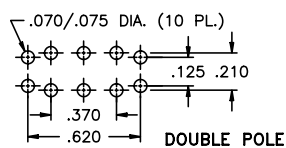
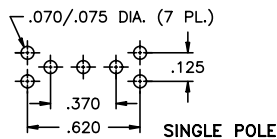


VERTICAL P.C. MOUNTING

V30, V40, V70, V80, V31, V41, V71 & V81

PANEL LAYOUT V30, V31, V40 & V41

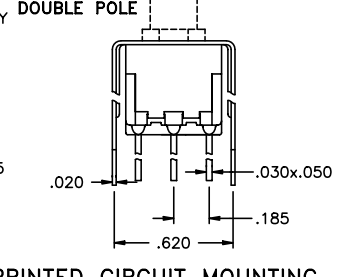
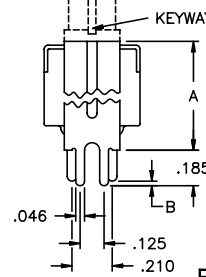
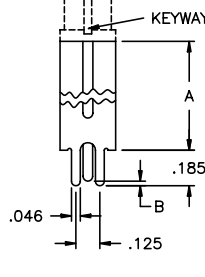
Option	Dim. A	Dim. B
V30-V31	.527	.024
V40-V41	.647	.048



FRONT VIEW SINGLE POLE

FRONT VIEW DOUBLE POLE

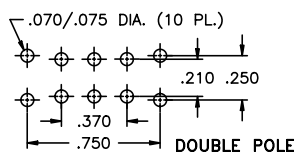
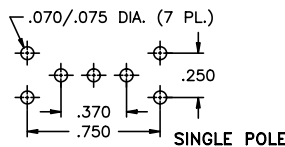
SIDE VIEW - SINGLE AND DOUBLE POLE



PRINTED CIRCUIT MOUNTING

PANEL LAYOUT V70, V71, V80 & V81

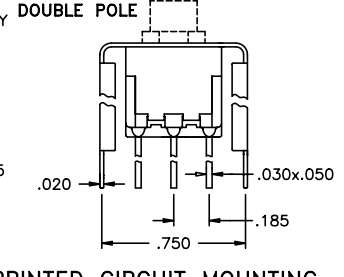
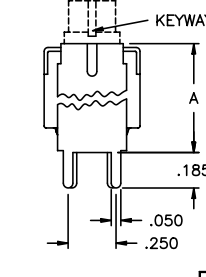
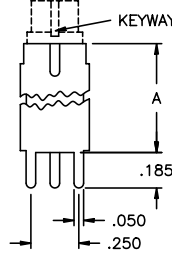
Option	Dim. A
V70-V71	.630
V80-V81	.953



FRONT VIEW SINGLE POLE

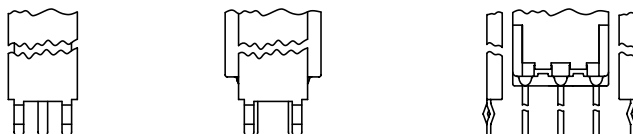
FRONT VIEW DOUBLE POLE

SIDE VIEW - SINGLE AND DOUBLE POLE



PRINTED CIRCUIT MOUNTING

V31, V41, V71 & V81 ARE THE SAME AS V30, V40, V70 & V80 RESPECTIVELY, EXCEPT WITH CRIMPED LEG DESIGN FOR P.C. BOARD RETENTION, AS SHOWN TO RIGHT.

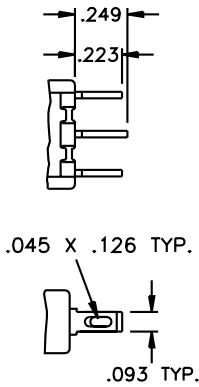


ST SERIES - MINIATURE TOGGLE SWITCHES

A

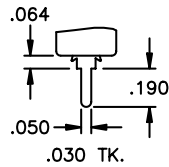
TERMINATION OPTIONS (CONT'D.)

Z



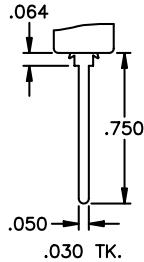
SOLDER LUG

C



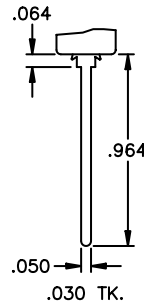
PRINTED CIRCUIT

W



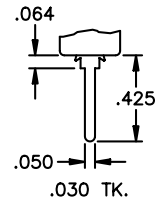
WIREWRAP

W1



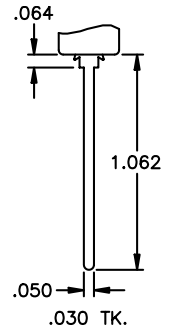
LONG WIREWRAP

W3



SHORT WIREWRAP

X



EXTRA LG. WIREWRAP

CONTACT MATERIAL OPTIONS

B

Dry circuit - gold over nickel over brass.
RATING: 0.4 Volt-Amps (VA) max. at 20 V max.
ELECTRIC LIFE: 100,000 cycles min. (ST1-1 & ST2-1 only - other models 40,000 cycles min.)

Q

Power circuit - coin silver.
RATING: 6 Amps at 125 VAC, 3 Amps at 250 VAC or 7 Amps at 30 VDC (resistive loads).
ELECTRIC LIFE: 100,000 cycles min. (ST1-1 & ST2-1 only - other models 40,000 cycles min.)

G

Dry circuit or power circuit - gold over nickel over coin silver.
RATINGS & ELECTRIC LIFE: Same as B & Q above - i.e. - can be used in either dry circuit or power circuit, however once used in power circuit, switch cannot be re-used in dry circuit. This option satisfies those customers who have both dry circuit and power circuit requirements, but prefer to inventory only one switch for both.

N

Dry circuit - gold over nickel over brass. Note- less gold than B option.
RATING: 0.4 Volt-Amps (VA) max. at 20 V max.
ELECTRIC LIFE: 10,000 cycles min. at 13 cycles per minute.

T

Power circuit - Silver plate over brass.
RATING: 3 Amps at 125 VAC or 1.5 Amps at 250 VAC (resistive loads).
ELECTRIC LIFE: 10,000 cycles min. at 13 cycles per minute.

Solder dipped terminals and custom contact plating available - contact factory.

UL & CSA OPTIONS

UL

For power circuits - coin silver
RATING: 6 Amps at 125 VAC or 3 Amps at 250 VAC (75% power factor).
Underwriter Laboratories file no. E66367. To specify, order UL model no. Note - applicable only to terminations with coin silver contacts (Q or G options).

CSA

For power circuits - coin silver
RATING: 6 Amps at 125 VAC or 3 Amps at 250 VAC (75% power factor). Canadian Standards Association file no. LR54592-1. To specify, UL model number, then add '/CSA' to complete switch number. Note - applicable only to terminations with coin silver contacts (Q or G options) as CSA recognizes switches for power applications only. Note- Double pole switches with solder lug terminals are not CSA recognized.

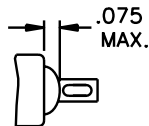
SEALING & MISCELLANEOUS OPTIONS

E

Epoxy terminal sealing: Available with all terminal configurations.

The space between terminal & case hole is sealed with epoxy all around terminal.

Provides maximum protection from entry of flux or contaminants into the switch case.



/R

To specify reverse switch action on non-symmetrical models with bushing keyway, add '/R' to switch model no.

22

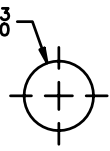
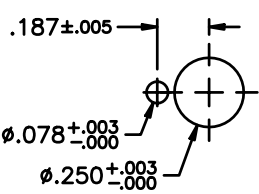
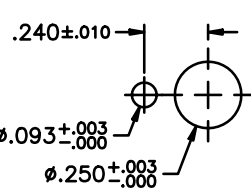
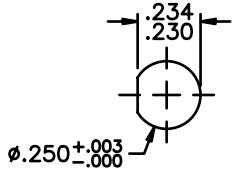
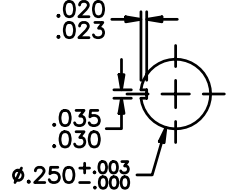
Black finish is available on actuator, bushing & hardware. To specify, add '-22' to switch model no.

SPECIFICATIONS SUBJECT TO CHANGE WITHOUT NOTICE

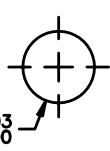
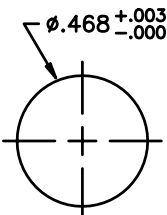
ST SERIES - MINIATURE TOGGLE SWITCHES

PANEL CUT-OUTS

Cut-outs that accept all 1/4-40 threaded bushings:

 <p>Without keying</p>	 <p>With A107 anti-rotate ring</p>	 <p>With A158 anti-rotate ring</p>	 <p>With D bushing</p>	 <p>With slotted keyway bushings</p>
---	---	---	--	---

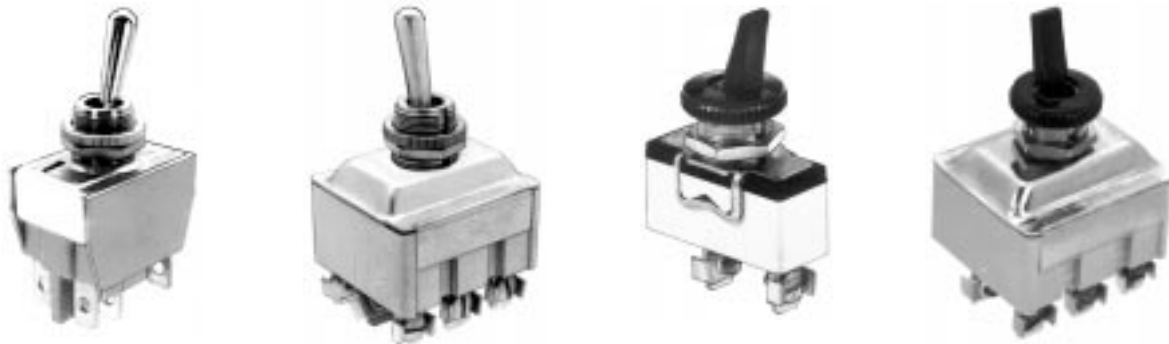
Cut-outs that accept non-threaded 1/4" bushings and 15/32" threaded bushings:

 <p>Accepts all non-threaded 1/4" bushings</p>	 <p>15/32" threaded bushings</p>
---	---

SPECIFICATIONS SUBJECT TO CHANGE WITHOUT NOTICE

600H & 600NH SERIES - POWER TOGGLE SWITCHES

A



FEATURES

- Motor load and power ratings.
- Single, double & three pole models with nickel plated brass or insulated actuators.
- Locking actuator options for single & double poles.

SPECIFICATIONS

Contact ratings (resistive loads):	Functions ON-OFF and ON-ON: 15A 250VAC or 10A 24VDC Functions ON OFF ON: 15A 250VAC Other functions: 12A 250VAC, 15A 125VAC or 5A 25VDC
Maximum approved ratings:	UL/CSA: SP, DP & 3P function ON-ON & 3P function ON-OFF - 15A 1/2HP 125/250 VAC. Other functions 10A 1/2HP 125/250VAC VDE: 600NH SP & DP functions ON-ON & ON-OFF - 10(4)A 400VAC, grounding lug ring, p/n U187 required (order separately).
Initial contact resistance:	10 milliohms maximum
Insulation resistance:	1000 megohms min. at 500 VDC
Dielectric strength:	2000 V rms min. - between terminals 2500 V rms min. - between terminals and frame
Electrical life at full load:	10,000 cycles minimum
Operating temperature range:	-20°C to +55°C

MATERIALS

Contacts:	Silver/nickel alloy
Actuator:	600H: nickel plated brass 600NH: black polyamide
Bushing:	Nickel plated brass
Housing:	Stainless steel or tin plated steel
Case:	Melamine/polyester
Hardware:	600H models are supplied with 1 Hex Nut p/n U166 & 1 Knurled Nut p/n U411. 600NH models are supplied with 1 Hex Nut U166 & 1 black Knurled Nut p/n U522. See hardware section of catalog.

AGENCY RECOGNITION



UL & CSA: 600H.

VDE, UL & CSA: 600NH. Recognition markings are standard.

ABOUT THIS SERIES

The material in this series is organized in the following sequence:

- Completely specified switch models
- 'build your own switch' order format
- Option drawings & special options
- Miscellaneous

ALSO IN THIS SERIES

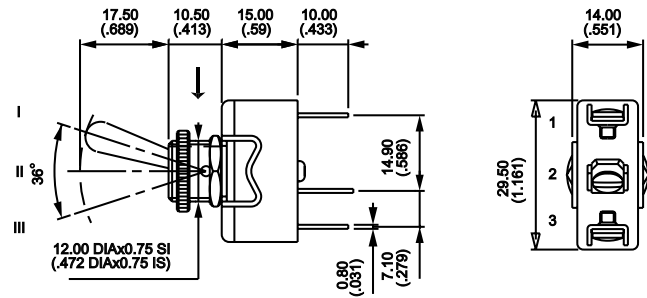
Switches for peak currents - for switching power supplies, DC-DC converters, motors, etc. See specifications on last page of completely specified models.

600H & 600NH SERIES - POWER TOGGLE SWITCHES

Single pole - nickel plated brass actuator



SOLDER LUG	SCREW TERMS.	CIRCUIT
631H/2	631H	ON - OFF
635H/2	635H	MOM - ON
636H/2	636H	ON - ON
637H/2	637H	MOM OFF MOM
638H/2	638H	ON OFF MOM
639H/2	639H	ON OFF ON
Handle position (see dwg.):		III II I
Terminals connected:		2-1 2-3

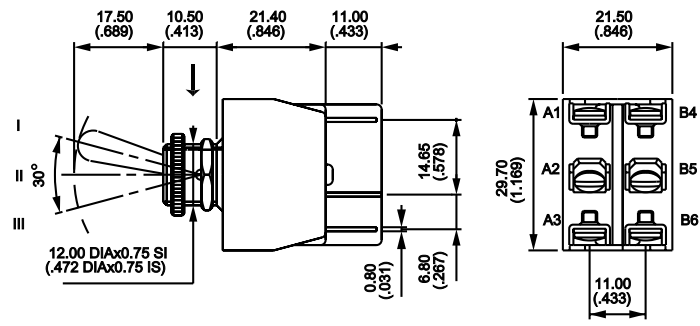


→ Keyway

Double pole - nickel plated brass actuator



SOLDER LUG	SCREW TERMS.	CIRCUIT
641H/2	641H	ON - OFF
644H/2*	644H*	ON ON ON
644H/21R*	644H1R*	ON ON MOM
644H/22R*	644H2R*	MOM ON MOM
645H/2	645H	MOM - ON
646H/2	646H	ON - ON
647H/2	647H	MOM OFF MOM
648H/2	648H	ON OFF MOM
649H/2	649H	ON OFF ON
Handle position:		III II I
Terminals connected:		2-1 2-3 5-4 5-6



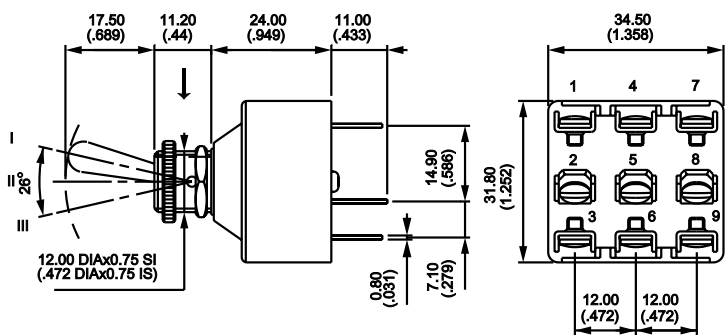
* Function 4: SP in DP case. See info. at end of section.

→ Keyway

Three pole - nickel plated brass actuator



SOLDER LUG	SCREW TERMS.	CIRCUIT
651H/2	651H	ON - OFF
655H/2	655H	MOM - ON
656H/2	656H	ON - ON
657H/2	657H	MOM OFF MOM
658H/2	658H	ON OFF MOM
659H/2	659H	ON OFF ON
Handle position:		III II I
Terminals connected:		2-1 2-3 5-4 5-6 8-7 8-9

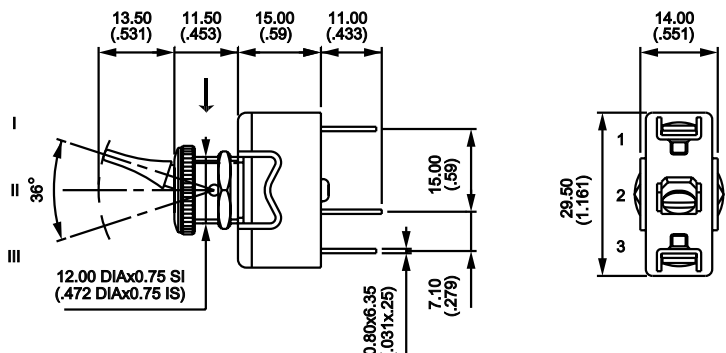


→ Keyway

Single pole - insulated actuator



SOLDER LUG	SCREW TERMS.	CIRCUIT
631NH/2	631NH	ON - OFF
635NH/2	635NH	MOM - ON
636NH/2	636NH	ON - ON
637NH/2	637NH	MOM OFF MOM
638NH/2	638NH	ON OFF MOM
639NH/2	639NH	ON OFF ON
Handle position (see dwg.):		III II I
Terminals connected:		2-1 2-3



→ Keyway

SPECIFICATIONS SUBJECT TO CHANGE WITHOUT NOTICE

600H & 600NH SERIES - POWER TOGGLE SWITCHES

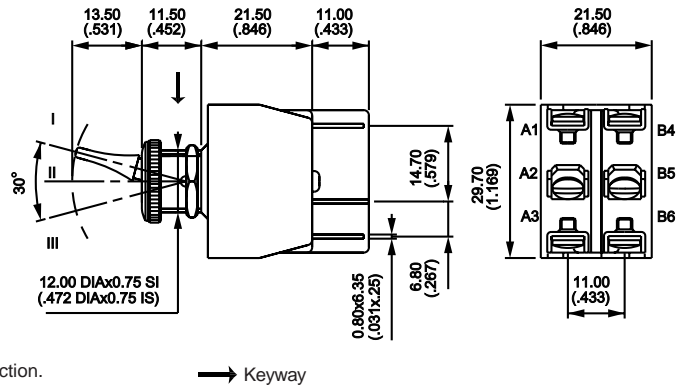
A

Double pole - insulated actuator



SOLDER LUG	SCREW TERMS.	CIRCUIT		
641NH/2	641NH	ON	-	OFF
644NH/2*	644NH*	ON	ON	ON
644NH/21R*	644NH1R*	ON	ON	MOM
644NH/22R*	644NH2R*	MOM	ON	MOM
645NH/2	645NH	MOM	-	ON
646NH/2	646NH	ON	-	ON
647NH/2	647NH	MOM	OFF	MOM
648NH/2	648NH	ON	OFF	MOM
649NH/2	649NH	ON	OFF	ON
Handle position:		III	II	I
Terminals connected:		2-1	2-3	5-6

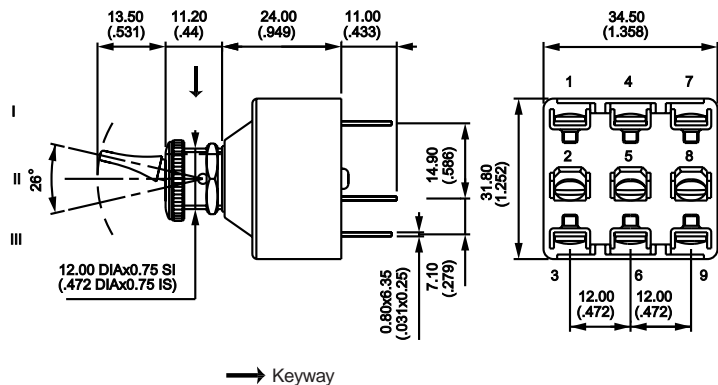
* Function 4: SP in DP case. See info. at end of section.



Three pole - insulated actuator



SOLDER LUG	SCREW TERMS.	CIRCUIT		
651NH/2	651NH	ON	-	OFF
655NH/2	655NH	MOM	-	ON
656NH/2	656NH	ON	-	ON
657NH/2	657NH	MOM	OFF	MOM
658NH/2	658NH	ON	OFF	MOM
659NH/2	659NH	ON	OFF	ON
Handle position:		III	II	I
Terminals connected:		2-1	2-3	5-6
		5-4	5-6	8-9



600SH & 600SNH - switches for peak currents - up to 150 Amps at 250 VAC

Contacts:

Silver cadmium oxide

Capacitive load ratings:

15/150A 125VAC & 250VAC - 5,000 cycles
 10/150A 125VAC & 250VAC - 10,000 cycles
 4/90A (10ms) 60VDC - 10,000 cycles

Motor load ratings:

(note: 15(6)A 250VAC= 15A resistive and 6A motor)
 15(6)A 250VAC - 10,000 cycles 10(4)A 380VAC - 10,000 cycles
 17(6)A 125VAC - 6,000 cycles 1 HP 250VAC - 10,000 cycles
 2 HP 250VAC - 6,000 cycles 1/2 HP 125VAC - 6,000 cycles

Lamp load ratings:

10A 125VAC & 250VAC - 10,000 cycles

Other specs. & dimensions:

Same as 600H & 600NH models previously described.
 Compatible with options **T, G, K, 1V, 2V & 3V.**



Single and double pole models are UL approved (3/4 HP 125VAC)
 Also see 'Switches for Peak Currents' technical page in rear of catalog.

SCREW TERMINALS WITH CLAMP	SOLDER LUG QUICK-CONNECT TERMINALS	CIRCUIT
SINGLE POLE		
631SH	631SH/2	ON - OFF
636SH	636SH/2	ON - ON
DOUBLE POLE		
641SH	641SH/2	ON - OFF
646SH	646SH/2	ON - ON
THREE POLE		
651SH	651SH/2	ON - OFF
656SH	656SH/2	ON - ON

Above models have nickel plated brass actuator. For insulated actuator, replace 'SH' in above model numbers with 'SNH'.

SPECIFICATIONS SUBJECT TO CHANGE WITHOUT NOTICE

600H & 600NH SERIES - POWER TOGGLE SWITCHES

Additional ordering information: Commonly ordered models are shown on prior pages with complete model numbers and specifications. Below is an order format that enables you to 'build your own switch' and specify the correct switch model number by simply selecting from all available options shown and filling in the boxes.

'BUILD YOUR OWN SWITCH' ORDER FORMAT

Fill in boxes with selections shown for **Model Structure**, then add **Options** selections for complete model number. Allowable options are shown below each respective box. Note 'NONE' indicates box may be left empty.

Model Structure:

Series	Number of poles	Electrical functions	Actuator and terminals	Momentary for function 4
6	<input type="checkbox"/>	<input type="checkbox"/>	<input type="checkbox"/> <input type="checkbox"/> <input type="checkbox"/> <input type="checkbox"/>	<input type="checkbox"/> <input type="checkbox"/>
	3 Single pole 4 Double pole 5 Three pole	1 ON - OFF 5 MOM - ON 6 ON - ON 7 MOM OFF MOM 8 ON OFF MOM 9 ON OFF ON 4 ON ON ON 4* ON ON MOM 4* MOM ON MOM * specify selection from 'connections/ functions' box also.	(NONE) H Metal actuator, screw terminals H / 2 Metal actuator, solder lug/quick connect style terminals N H Insulated actuator, screw terminals N H / 2 Insulated actuator, solder lug/quick-connect style terminals	(NONE) 1 R ON ON MOM 2 R MOM ON MOM

Options:

Misc. options

- (NONE)
T High temperature DAP case: -40°C to +85°
G Matte black finish on actuator, bushing & nuts. Includes option 'T' above.
K Front panel sealing with 'O'-ring and sealing washer

Locking actuators

- (NONE)
1 V Locking (1 position)
2 V Locking (2 positions)
3 V Locking (3 positions)
 (see actuator drawings).

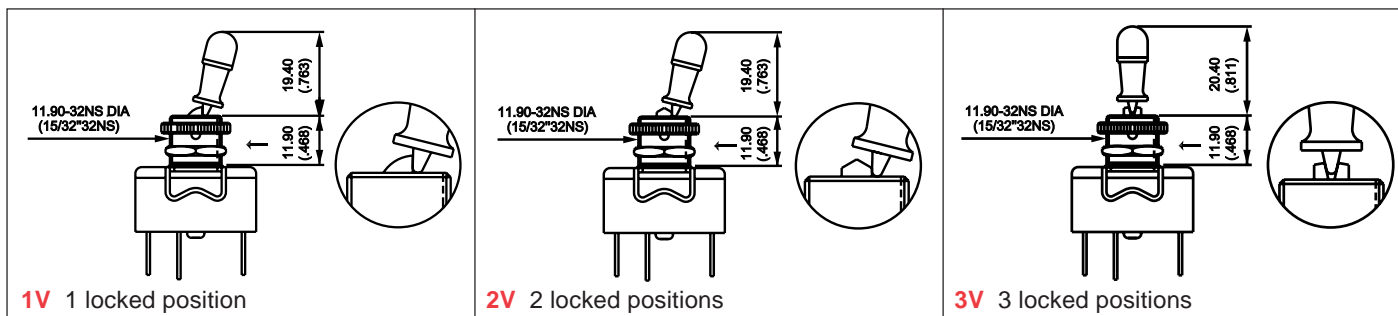
Example of completely specified model number:
644H/21RGK

Although most combinations of options are available, some may result in incompatibilities. Consult factory if there is any question.

OPTIONS & SPECIAL OPTIONS

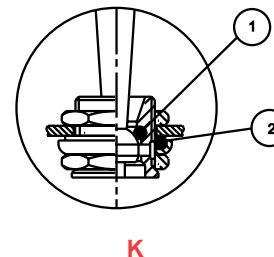
LOCKING ACTUATORS for 1 & 2 pole models

Arrow indicates keyway



SPECIAL OPTIONS

- T** High temperature diallyl phthalate case (-40°C to +85°C).
G Matte black finish on actuator, bushing and nuts. Includes option T above.
K Front panel sealing with 'O'-ring and sealing washer.

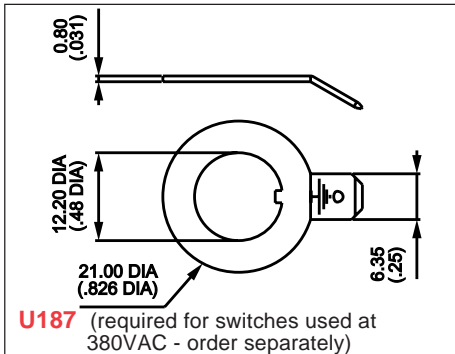


600H & 600NH SERIES - POWER TOGGLE SWITCHES

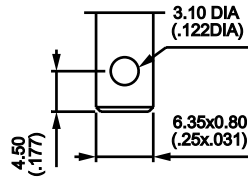
A

OPTIONS & MISCELLANEOUS

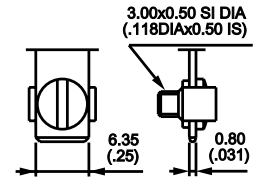
GROUNDING LUG RING



TERMINALS



600H/2 Solder lug terminals

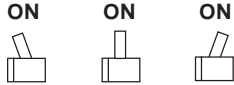


600H Screw terminals

POSITIONS & CONNECTIONS for function 4 switches

FUNCTION 4

ACTUATOR

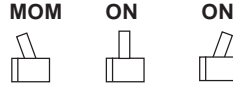


CONTACTS



FUNCTION 41R

ACTUATOR

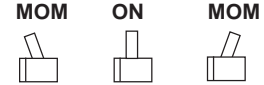


CONTACTS



FUNCTION 42R

ACTUATOR

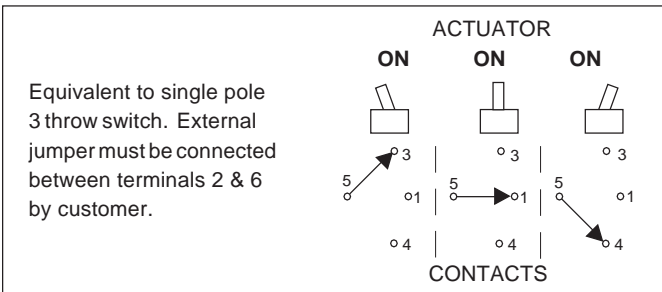


CONTACTS

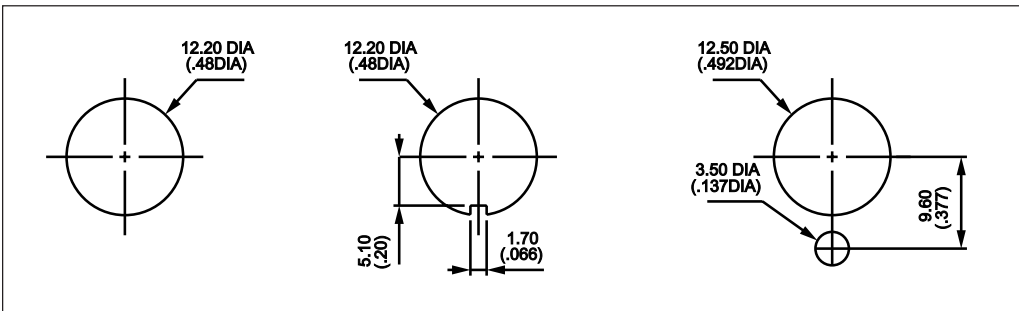


MOM = momentary action

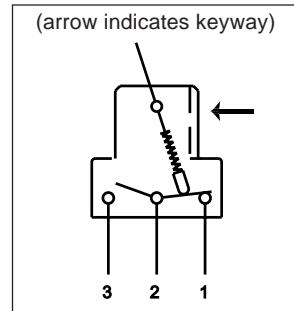
WIRING FOR 3 WAY SWITCH for function 4 switches



PANEL CUT-OUTS



SWITCH ACTION



SPECIFICATIONS SUBJECT TO CHANGE WITHOUT NOTICE

11000 SERIES - PROFESSIONAL TOGGLE SWITCHES



FEATURES

- Designed for high rel defense, avionics, space and telecommunications applications.
- SPDT, DPDT, 3PDT & 4PDT models with 1/4-40 threaded bushing.
- Models for panel and p.c. mounting.
- Bright chrome or matte black finish on bushing, actuator and hardware.

SPECIFICATIONS

Contact ratings (resistive loads):	Silver & gold plated silver; 2 Amps at 250 VAC, 4 Amps at 125 VAC or 4 Amps at 30 VDC. (Less than 100 mA 30 VDC to prevent damage to gold plating.) Gold rivet; 200 mA at 250 VAC or 400 mA at 125 VAC
Initial contact resistance:	10 milliohms maximum
Insulation resistance:	1000 megohms min. at 500 VDC
Dielectric strength:	1000 V rms min. - between terminals 2000 V rms min. - between poles and terminals and frame
Electrical life:	Silver: 50,000 cycles min. Gold plated silver: 20,000 cycles min. Gold rivet: 2 positions - 80,000 cycles min. 3 positions - 50,000 cycles min.
Low level or mechanical life:	2 positions - 150,000 cycles min. 3 positions - 100,000 cycles min.
Operating temperature range:	-40°C to +85°C

MATERIALS

Contacts :	Silver, gold plated silver or solid gold rivet
Actuator:	Chrome plated brass
Bushing:	Nickel plated brass
Housing:	Nickel plated brass
Case:	Diallyl phthalate (DAP)
Terminal seal:	Epoxy
Hardware:	Supplied with 2 Hex Nuts .314" (8mm) across flats, 1 Locking Ring & 1 Lockwasher. See hardware section of catalog.

AGENCY RECOGNITION

CECC, LNZ, GAM T1, QPL (Europe), MUAHAG

Availability: Consult factory for details of recognized models.

Marking: To order switches marked CECC or ESA/SCC, complete the appropriate box of the ordering format. Other listings do not appear on the switches.

ABOUT THIS SERIES

The material in this series is organized in the following sequence:

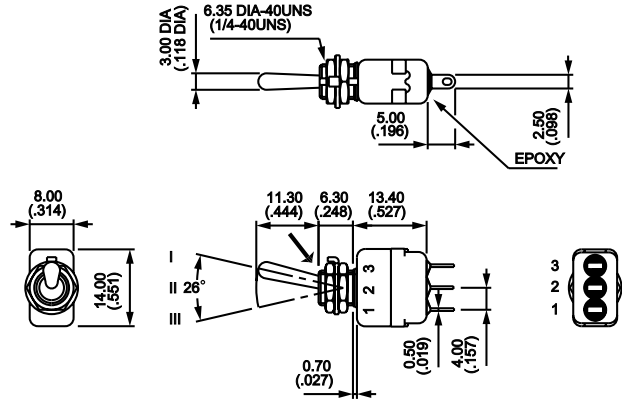
- Completely specified switch models
- 'build your own switch' order format
- Option drawings
- Miscellaneous

11000 SERIES - PROFESSIONAL TOGGLE SWITCHES

Solder lug terminals - single pole - silver contacts



MODEL NO.	CIRCUIT		
11136A	ON	-	ON
11139A	ON	OFF	ON
11137A	MOM	OFF	MOM
11138A	ON	OFF	MOM
Handle position (see dwg.):	I	II	III

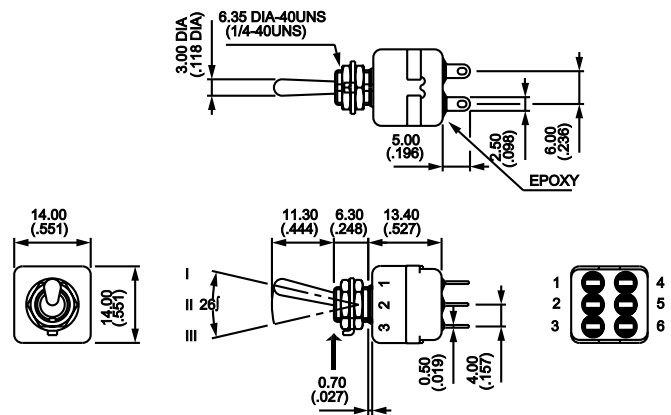


→ Keyway

Solder lug terminals - double pole - silver contacts



MODEL NO.	CIRCUIT		
11146A	ON	-	ON
11149A	ON	OFF	ON
11147A	MOM	OFF	MOM
11148A	ON	OFF	MOM
Handle position (see dwg.):	I	II	III

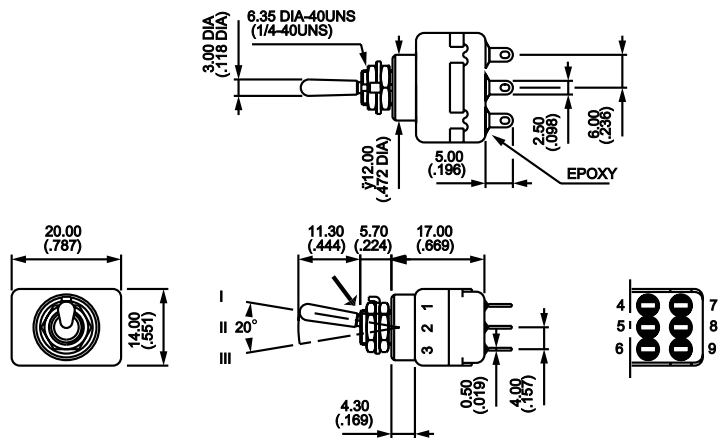


→ Keyway

Solder lug terminals - three pole - silver contacts



MODEL NO.	CIRCUIT		
11156A	ON	-	ON
11159A	ON	OFF	ON
11157A	MOM	OFF	MOM
11158A	ON	OFF	MOM
Handle position (see dwg.):	I	II	III

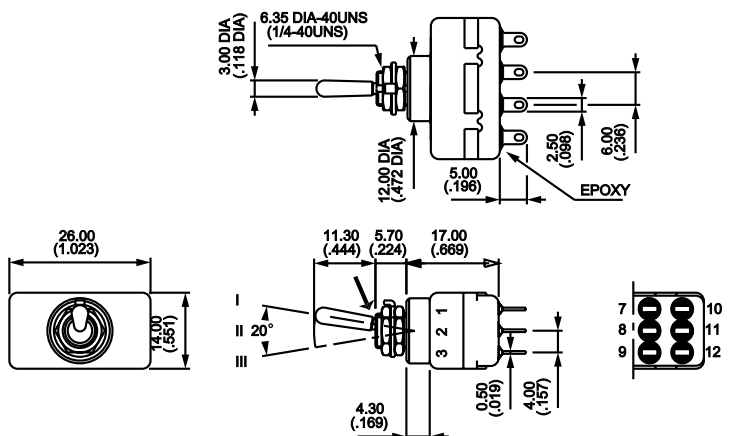


→ Keyway

Solder lug terminals - four pole - silver contacts



MODEL NO.	CIRCUIT		
11166A	ON	-	ON
11169A	ON	OFF	ON
11167A	MOM	OFF	MOM
11168A	ON	OFF	MOM
Handle position (see dwg.):	I	II	III



→ Keyway

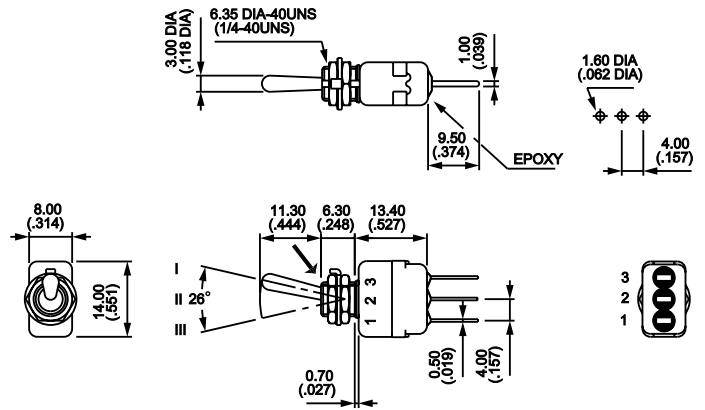
SPECIFICATIONS SUBJECT TO CHANGE WITHOUT NOTICE

11000 SERIES - PROFESSIONAL TOGGLE SWITCHES

Straight p.c. terminals - single pole - silver contacts



MODEL NO.	CIRCUIT		
11236A	ON	-	ON
Handle position (see dwg.):	I	II	III

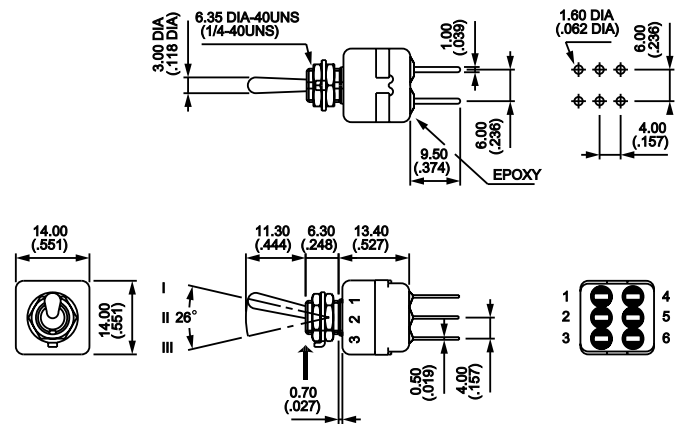


→ Keyway

Straight p.c. terminals - double pole - silver contacts



MODEL NO.	CIRCUIT		
11246A	ON	-	ON
Handle position (see dwg.):	I	II	III

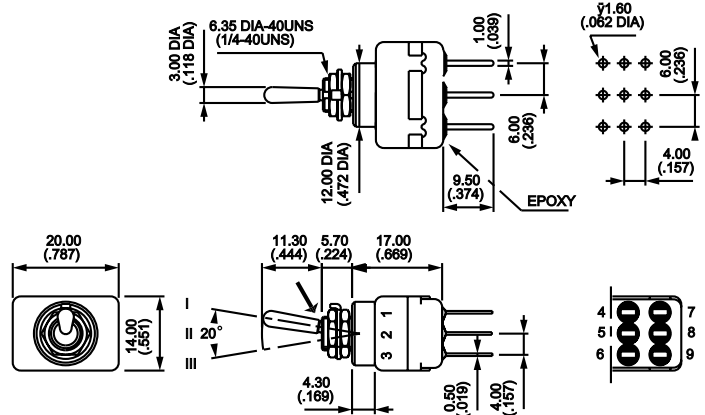


→ Keyway

Straight p.c. terminals - three pole - silver contacts



MODEL NO.	CIRCUIT		
11256A	ON	-	ON
Handle position (see dwg.):	I	II	III

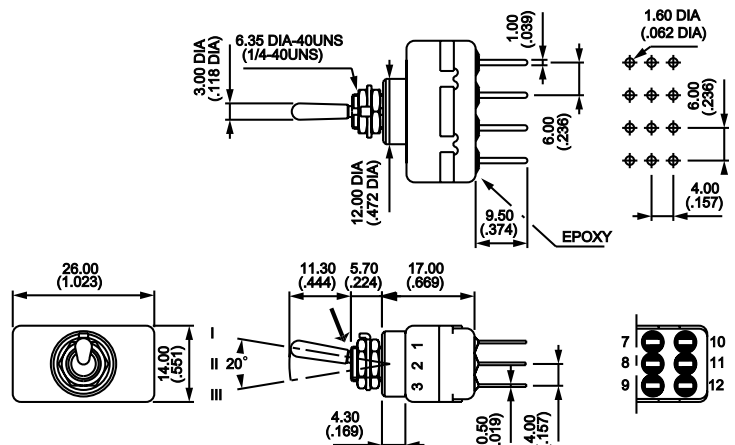


→ Keyway

Straight p.c. terminals - four pole - silver contacts



MODEL NO.	CIRCUIT		
11266A	ON	-	ON
Handle position (see dwg.):	I	II	III



→ Keyway

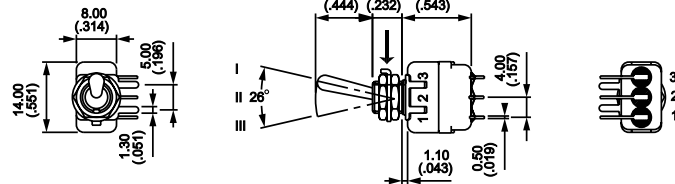
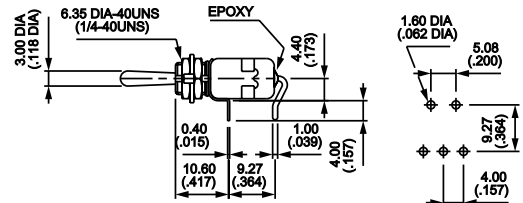
SPECIFICATIONS SUBJECT TO CHANGE WITHOUT NOTICE

11000 SERIES - PROFESSIONAL TOGGLE SWITCHES

Horizontal right angle p.c. terminals - single pole - silver contacts



MODEL NO.	CIRCUIT
11136WA	ON - ON
Handle position (see dwg.):	I II III



→ Keyway

Additional ordering information: Commonly ordered models are shown on prior pages with complete model numbers and specifications. Below is an order format that enables you to 'build your own switch' and specify the correct switch model number by simply selecting from all available options shown and filling in the boxes.

'BUILD YOUR OWN SWITCH' ORDER FORMAT

Fill in boxes with selections shown for **Model Structure**, then add **Options** selections for complete model number. Allowable options are shown below each respective box. Note 'NONE' indicates box may be left empty.

Model Structure:

Series	Terminals & bushings	Number of poles	Electrical functions	Terminals	Contact materials
<input type="text" value="1"/>	<input type="text" value="1"/>	<input type="text" value="3"/>	<input type="text" value="6"/>	<input type="text" value="W"/>	<input type="text" value="A"/> <input type="text" value="D"/> <input type="text" value="2"/>
	1 Solder lug or right angle terminals 2 Straight p.c. terminals (all models have 1/4-40 th'd. bushing)	3 Single pole 4 Double pole 5 Three pole 6 Four pole	6 ON - ON 9 ON OFF ON 7 MOM OFF MOM 8 ON OFF MOM	(NONE) W Horizontal right angle p.c.- function 6, single pole only	A Silver A D 2 Gold plated silver (2 microns) D Solid gold rivet

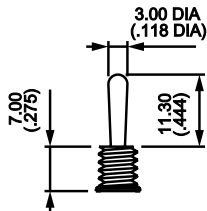
Options:

Black finish	Sealing	Actuators	Special options	Approvals/listings
<input type="text" value="G"/>	<input type="text" value="K"/>	<input type="text" value="2"/> <input type="text" value="6"/>	<input type="text" value="F"/>	<input type="text" value="C"/> <input type="text" value="E"/> <input type="text" value="C"/> <input type="text" value="C"/> <input type="text" value="L"/> <input type="text" value="N"/> <input type="text" value="Z"/> <input type="text" value="G"/> <input type="text" value="A"/> <input type="text" value="M"/> <input type="text" value="M"/> <input type="text" value="U"/> <input type="text" value="A"/> <input type="text" value="H"/> <input type="text" value="A"/> <input type="text" value="G"/> <input type="text" value="Q"/> <input type="text" value="P"/> <input type="text" value="L"/>
(NONE) G Matte black finish on bushing, actuator & hardware.	(NONE) K Epoxy sealed terminals std'd. Front panel sealing with o-ring & gasket. (not avail. w/W)	(NONE) 2 6 Cylindrical (see actuator dwgs.)	(NONE) F Tin plated terminals (p.c. only)	(NONE) C E C C L N Z Telecommunications G A M Military M U A H A G Q P L (Europe only) (consult factory for details of approved models).

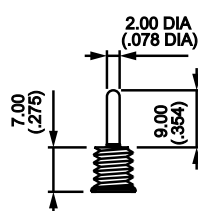
Example of completely specified model number:
11136WAD2GFCECC

Although most combinations of options are available, some may result in incompatibilities. Consult factory if there is any question.

ACTUATOR OPTIONS

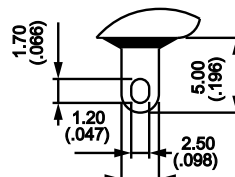


(NONE) Standard

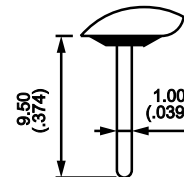


26 Cylindrical

TERMINALS



Solder lug



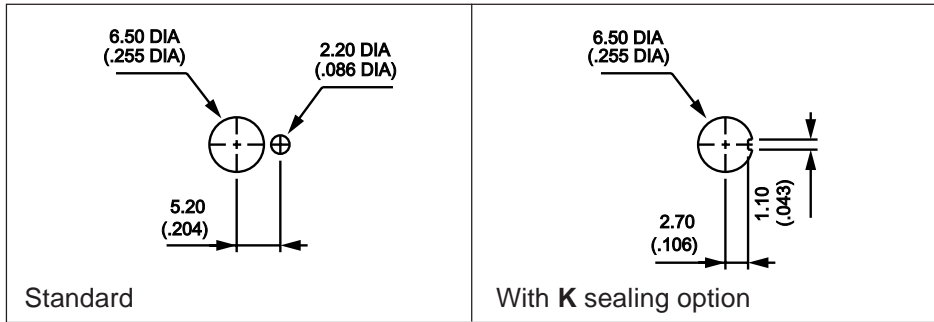
P.C.

SPECIFICATIONS SUBJECT TO CHANGE WITHOUT NOTICE

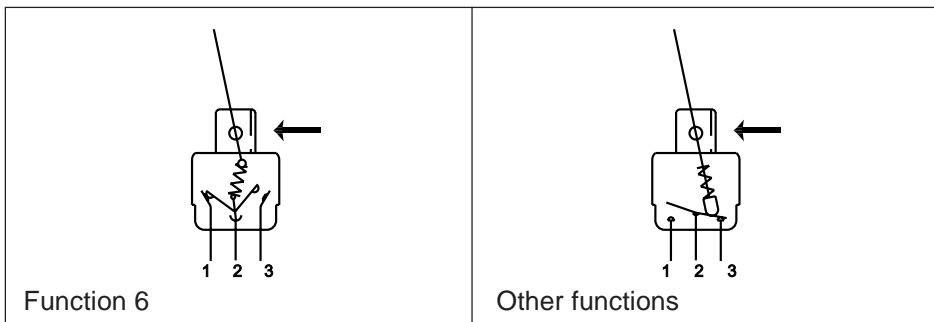
11000 SERIES - PROFESSIONAL TOGGLE SWITCHES

MISCELLANEOUS

PANEL CUT-OUTS



SWITCH ACTION (arrow indicates keyway)



SPECIFICATIONS SUBJECT TO CHANGE WITHOUT NOTICE

12000 SERIES - PROFESSIONAL TOGGLE SWITCHES

A



FEATURES

- Designed for high rel defense, avionics, space and telecommunications applications.
- DPDT, 3PDT & 4PDT models with 15/32-32 threaded bushing.
- Models for panel and p.c. mounting.
- Supplied with 2 Hex Nuts, 1 Locking Ring & 1 Lockwasher.
- Bright chrome or matte black finish on bushing, actuator and hardware.

SPECIFICATIONS

Contact ratings (resistive loads):	Silver & gold plated silver; 2 Amps at 250 VAC, 4 Amps at 125 VAC or 4 Amps at 30 VDC. (Less than 100 mA 30 VDC to prevent damage to gold plating.) Gold rivet; 200 mA at 250 VAC or 400 mA at 125 VAC
Initial contact resistance:	10 milliohms maximum
Insulation resistance:	1000 megohms min. at 500 VDC
Dielectric strength:	1000 V rms min. - between terminals 2000 V rms min. - between poles and terminals and frame
Electrical life:	Silver: 50,000 cycles min. Gold plated silver: 20,000 cycles min. Gold rivet: 2 positions - 80,000 cycles min. 3 positions - 50,000 cycles min.
Low level or mechanical life:	2 positions - 150,000 cycles min. 3 positions - 100,000 cycles min.
Operating temperature range:	-40°C to +85°C

MATERIALS

Contacts :	Silver, gold plated silver or solid gold rivet
Actuator:	Chrome plated brass
Bushing:	Nickel plated brass
Housing:	Nickel plated brass
Case:	Diallyl phthalate (DAP)
Terminal seal:	Epoxy
Hardware:	Supplied with 2 Hex Nuts .551" (14mm) across flats and 1 Locking Ring. See hardware section of catalog.

AGENCY RECOGNITION

CECC, LNZ, GAM T1, QPL (Europe), MUAHAG

Availability: consult factory for details of recognized models.

Marking: to order switches marked CECC or ESA/SCC, complete the appropriate box of the ordering format.

Other recognized marks do not appear on the switches.

ABOUT THIS SERIES

The material in this series is organized in the following sequence:

- a. Completely specified switch models:
- b. Option drawings
- c. 'build your own switch' order format & miscellaneous

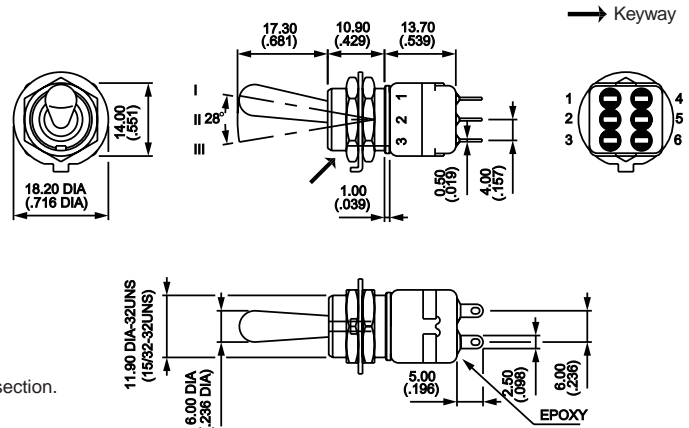
12000 SERIES - PROFESSIONAL TOGGLE SWITCHES

Solder lug terminals - double pole - silver contacts



MODEL NO.	CIRCUIT		
12146A	ON	-	ON
12149A	ON	OFF	ON
12147A	MOM	OFF	MOM
12148A	ON	OFF	MOM
12144A*	ON	ON	ON
121441RA*	ON	ON	MOM
121442RA*	MOM	ON	MOM
12145A	-	ON	MOM
Handle position (see dwg.):	I	II	III

*Function 4: SP in DP case, See diagram at end of section.

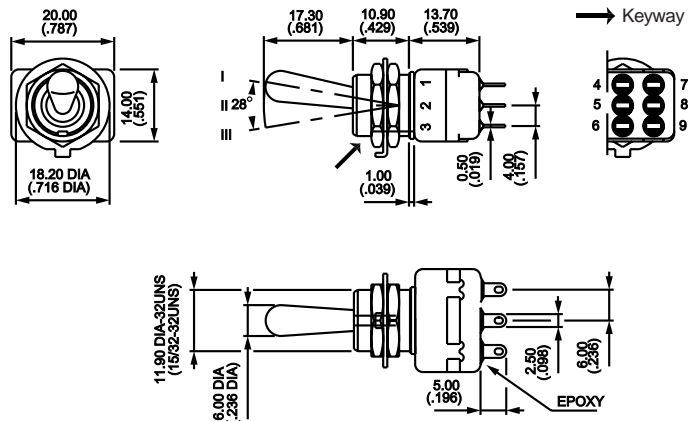


Solder lug terminals - three pole - silver contacts



MODEL NO.	CIRCUIT		
12156A	ON	-	ON
12159A	ON	OFF	ON
12157A	MOM	OFF	MOM
12158A	ON	OFF	MOM
Handle position (see dwg.):	I	II	III

*Function 4: SP in DP case, See diagram at end of section.

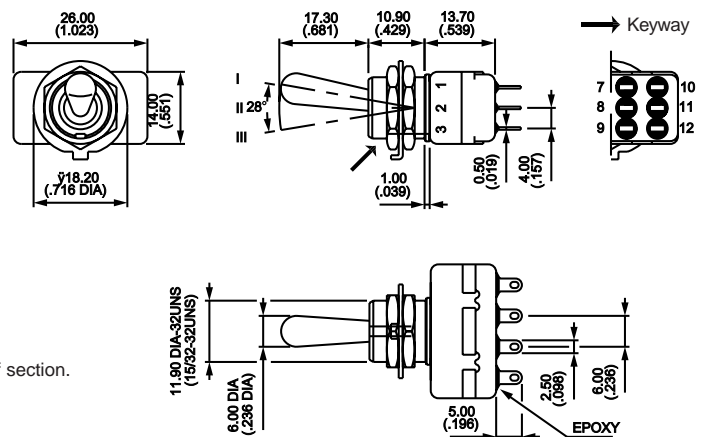


Solder lug terminals - four pole - silver contacts



MODEL NO.	CIRCUIT		
12166A	ON	-	ON
12169A	ON	OFF	ON
12167A	MOM	OFF	MOM
12168A	ON	OFF	MOM
12164A*	ON	ON	ON
121641RA*	ON	ON	MOM
121642RA*	MOM	ON	MOM
Handle position (see dwg.):	I	II	III

*Function 4: SP in DP case, See diagram at end of section.

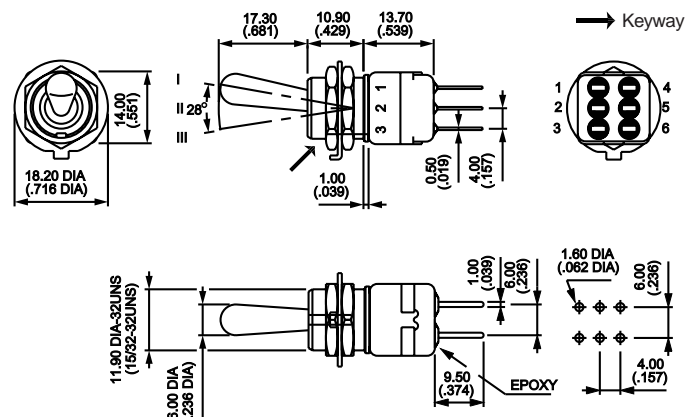


Straight p.c. terminals - double pole - silver contacts



MODEL NO.	CIRCUIT		
12246A	ON	-	ON
Handle position (see dwg.):	I	II	III

*Function 4: SP in DP case, See diagram at end of section.



SPECIFICATIONS SUBJECT TO CHANGE WITHOUT NOTICE

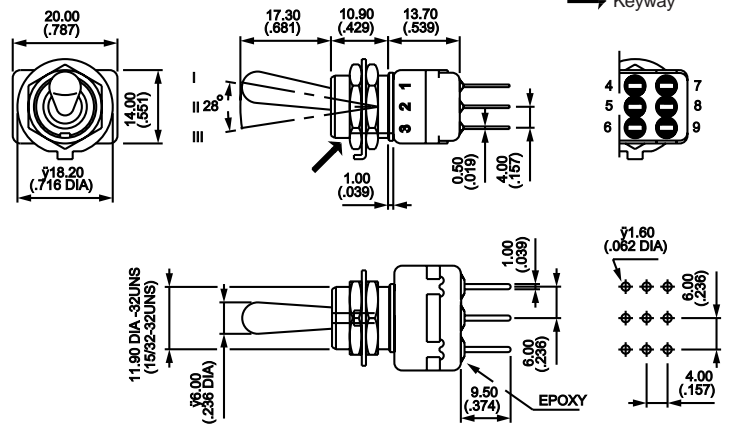
12000 SERIES - PROFESSIONAL TOGGLE SWITCHES

SPECIFICATIONS SUBJECT TO CHANGE WITHOUT NOTICE

Straight p.c. terminals - three pole - silver contacts



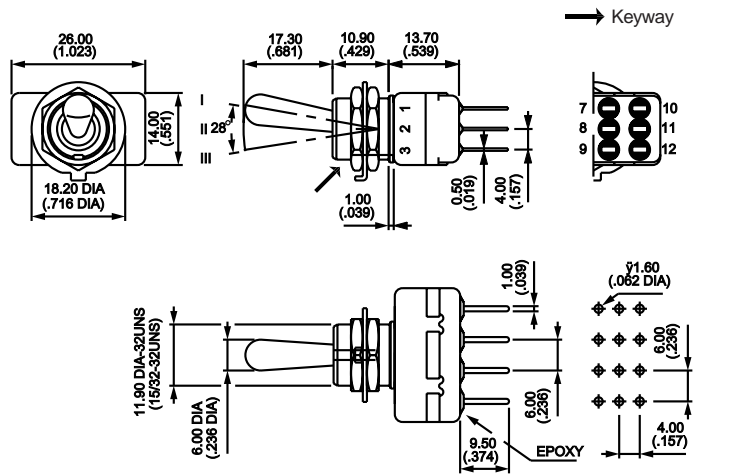
MODEL NO.	CIRCUIT
12256A	ON - ON
Handle position (see dwg.):	I II III



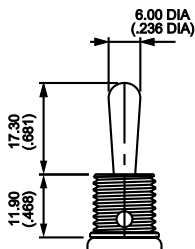
Straight p.c. terminals - four pole - silver contacts



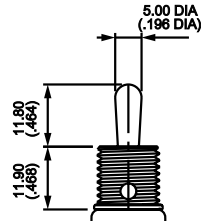
MODEL NO.	CIRCUIT
12266A	ON - ON
Handle position (see dwg.):	I II III



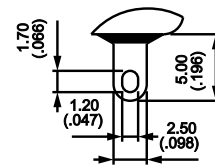
ACTUATOR OPTIONS



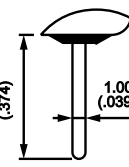
13 Standard



12 Short lever



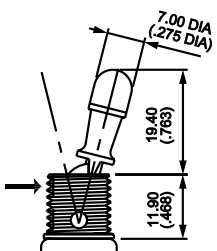
Solder lug



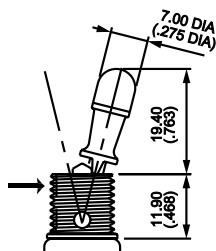
P.C.

TERMINALS

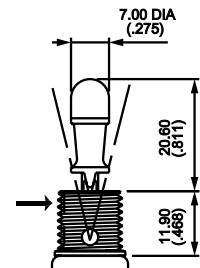
LOCKING ACTUATOR OPTIONS (arrow indicates keyway)



1V 1 locked position (function 6)



2V 2 locked positions (function 6)



3V 3 locked positions (functions 9 & 4)

12000 SERIES - PROFESSIONAL TOGGLE SWITCHES

Additional ordering information: Commonly ordered models are shown on prior pages with complete model numbers and specifications. Below is an order format that enables you to 'build your own switch' and specify the correct switch model number by simply selecting from all available options shown and filling in the boxes.

'BUILD YOUR OWN SWITCH' ORDER FORMAT

Fill in boxes with selections shown for **Model Structure**, then add **Options** selections for complete model number. Allowable options are shown below each respective box. Note 'NONE' indicates box may be left empty.

Model Structure:

Series	Terminals & bushings	Number of poles	Electrical functions	Momentary for function 4	Contact materials
1 2	<input type="text"/>	<input type="text"/>	<input type="text"/>	<input type="text"/>	<input type="text"/>
	1 Solder lug or terminals 2 Straight p.c. terminals (all models have 15/32-32 thd'd. bushing)	4 Double pole 5 Three pole 6 Four pole	6 ON - ON 9 ON OFF ON 7 MOM OFF MOM 8 ON OFF MOM 5 - ON MOM 4 ON ON ON 4* ON ON MOM 4* MOM ON MOM * specify selection from 'Mom. for function 4' box also	(NONE) 1 R ON ON MOM 2 R MOM ON MOM	A Silver A D 2 Gold plated silver (2 microns) D Solid gold rivet

Example of completely specified model number:
121442RAD2GFCECC

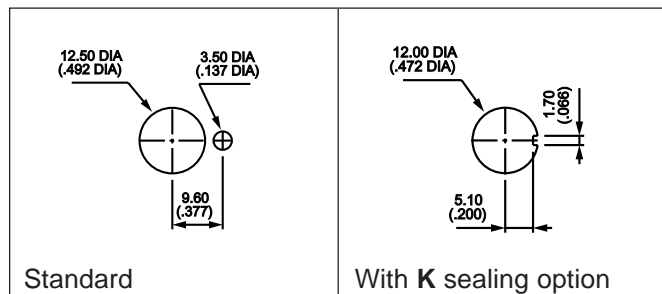
Options:

Black finish	Sealing	Actuators	Special options	Agency Recognition
<input type="text"/>	<input type="text"/>	<input type="text"/>	<input type="text"/>	<input type="text"/>
(NONE) G Matte black finish on bushing, actuator & hardware.	(NONE) Epoxy sealed terminals std'd. K Front panel sealing with o-ring & gasket.	(NONE) Standard 1 2 Short 1 V Locking (1 position) 2 V Locking (2 positions) 3 V Locking (3 positions) (see actuator dwgs.)	(NONE) F Tin plated terminals (p.c. only)	(NONE) C E C C L N Z Telecommunications G A M Military M U A H A G Q P L (Europe only) (consult factory for details of approved models).

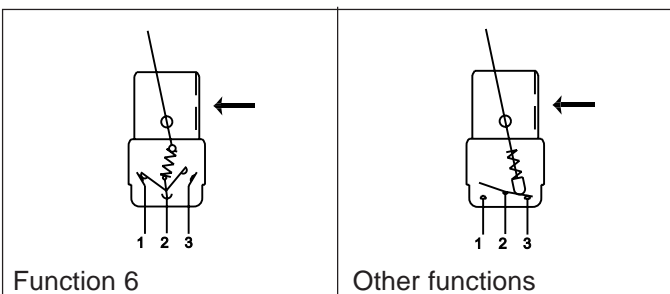
Although most combinations of options are available, some may result in incompatibilities. Consult factory if there is any question.

MISCELLANEOUS

PANEL CUT-OUTS

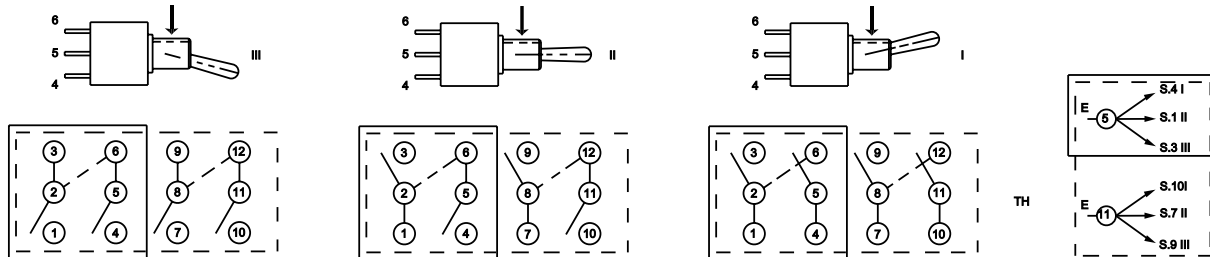


SWITCH ACTION (arrow indicates keyway)



WIRING for function 4 switch

Below diagrams are viewed from bottom of switch.



Equivalent to single pole 3 throw switch. Dotted lines between terminals 2 & 6 and 8 & 12 indicate external jumpers to be added by customer.

SPECIFICATIONS SUBJECT TO CHANGE WITHOUT NOTICE

12000X778 SERIES - HIGH PERFORMANCE TOGGLE SWITCHES

A



FEATURES

- Designed for high reliability environments.
- Double shell case for high mechanical strength & high electrical insulation.
- Pinned actuator for ruggedness and permanent grounding to switch bushing.
- Panel sealed to IP 67 and fully sealed switch body.
- DPDT, 3PDT & 4PDT models with 15/32-32 threaded bushing with flat.
- Highly reliable for low level or power applications.
- Matte black finish on body, bushing, actuator and hardware.

SPECIFICATIONS

Contact ratings (resistive loads):	2 Amps at 250 VAC, 4 Amps at 125 VAC or 4 Amps at 28 VDC. (Less than 300 mA at 28 VDC to prevent damage to gold plating). Minimum load - 10 mA at 50 mV, 10µA at 5 VDC
Initial contact resistance:	10 milliohms maximum
Insulation resistance:	1000 megohms min. at 500 VDC
Dielectric strength:	1000 V rms min. - between terminals 2000 V rms min. - between poles and terminals and frame
Electrical life:	At 2 Amps 250 VAC or 4 Amps at 28 VDC - 20,000 cycles min. (10,000 for functions 4 & 5) At low level (10 mA 50 mV) - 40,000 cycles min. (20,000 for functions 4 & 5)
Operating temperature range:	-40°C to +85°C
Environmental:	Shock: 50g - 11 ms (IEC 68-2-27). Vibration: 10-500 Hz - 10 g (IEC 68-2-6). Salt spray: 96 hrs.(IEC 68-2-11) Humidity: 56days,93% R.H.,40°C (IEC 68-2-3).

MATERIALS

Contacts :	Solid rivet - gold plated silver/nickel alloy
Actuator:	Black chrome plated brass
Bushing:	Black chrome plated brass
Case:	Diallyl phthalate (DAP) with plastic external shell, epoxy sealed
Hardware:	Supplied with 1 Hex Nut with black finish. See drawing at end of section.

AGENCY RECOGNITION

CECC, GAM , QPL (Europe), MUAHAG & DAT (French defense military). Marking: Many models have full CECC recognition and are marked CECC. Consult factory for list of recognized models.

ABOUT THIS SERIES

The material in this series is organized in the following sequence:

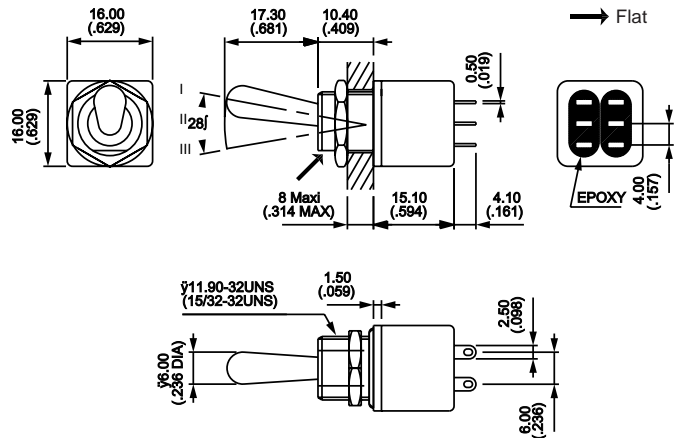
- Completely specified switch models
- Option drawings
- 'build your own switch' order format
- Miscellaneous and Positions & Connections

12000X778 SERIES - HIGH PERFORMANCE TOGGLE SWITCHES

Solder lug terminals - double pole



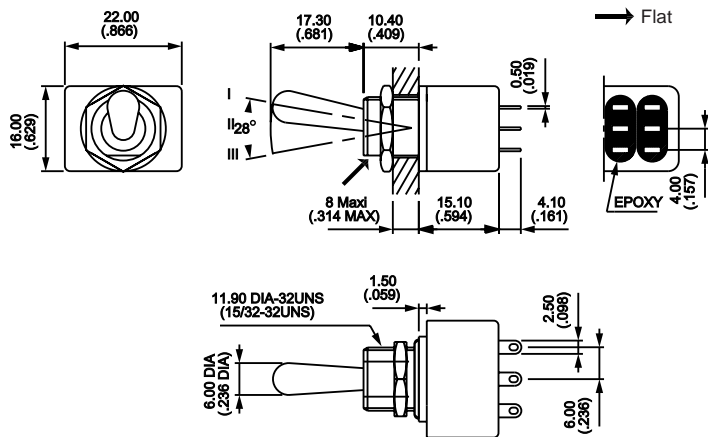
MODEL NO.	CIRCUIT		
12146X778	ON	-	ON
12149X778	ON	OFF	ON
12147X778	MOM	OFF	MOM
12148X778	ON	OFF	MOM
12144X778	ON	ON	ON
121441RX778	ON	ON	MOM
121442RX778	MOM	ON	MOM
12145X778	-	ON	MOM
Handle position (see dwg.):	I	II	III



Solder lug terminals - three pole



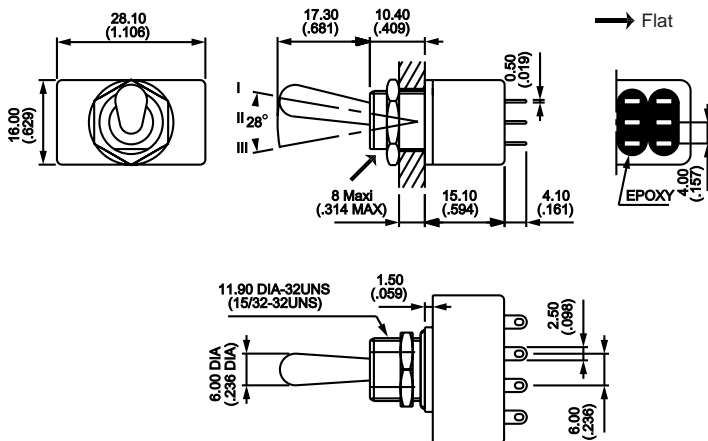
MODEL NO.	CIRCUIT		
12156X778	ON	-	ON
12159X778	ON	OFF	ON
12157X778	MOM	OFF	MOM
12158X778	ON	OFF	MOM
Handle position (see dwg.):	I	II	III



Solder lug terminals - four pole



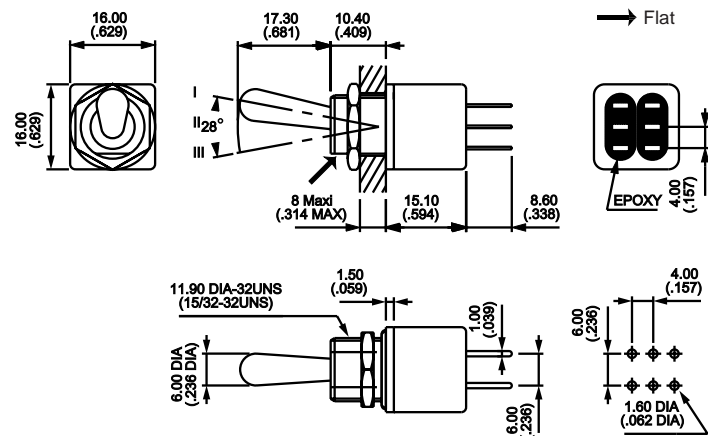
MODEL NO.	CIRCUIT		
12166X778	ON	-	ON
12169X778	ON	OFF	ON
12167X778	MOM	OFF	MOM
12168X778	ON	OFF	MOM
12164X778	ON	ON	ON
121641RX778	ON	ON	MOM
121642RX778	MOM	ON	MOM
Handle position (see dwg.):	I	II	III



Straight p.c. terminals - double pole



MODEL NO.	CIRCUIT		
12246X778	ON	-	ON
Handle position (see dwg.):	I	II	III

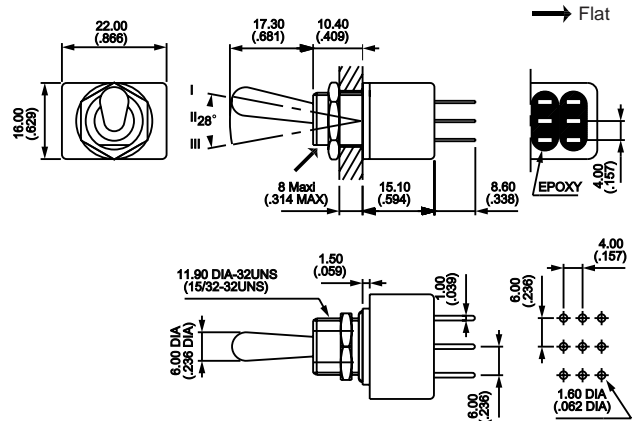


12000X778 SERIES - HIGH PERFORMANCE TOGGLE SWITCHES

Straight p.c. terminals - three pole



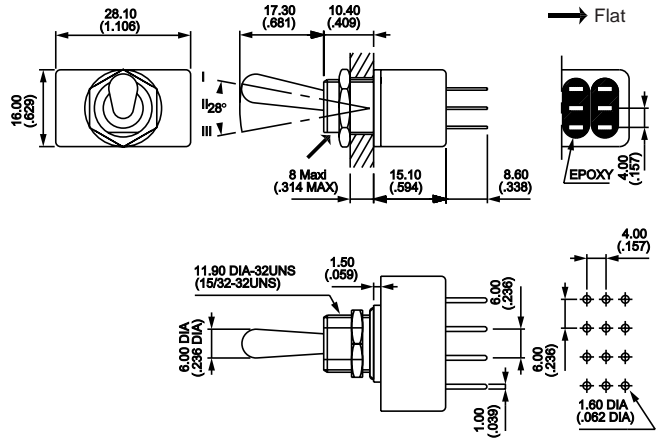
MODEL NO.	CIRCUIT		
12256X778	ON	-	ON
Handle position (see dwg.):	I	II	III



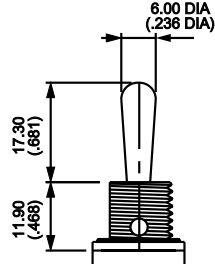
Straight p.c. terminals - four pole



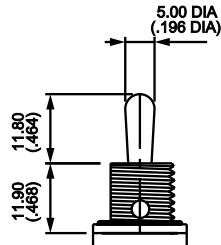
MODEL NO.	CIRCUIT		
12266X778	ON	-	ON
Handle position (see dwg.):	I	II	III



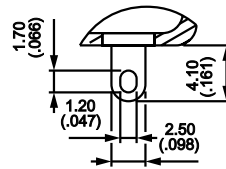
ACTUATOR OPTIONS



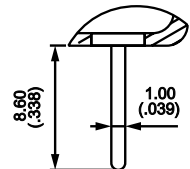
(NONE) Standard



12 Short



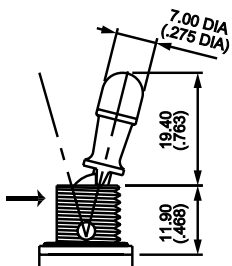
Solder lug



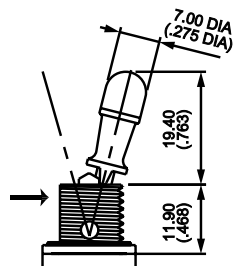
P.C.

TERMINALS

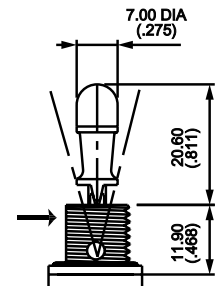
LOCKING ACTUATOR OPTIONS (arrow indicates flat)



1V 1 locked position (function 6)



2V 2 locked positions (function 6)



3V 3 locked positions (functions 9 & 4)

SPECIFICATIONS SUBJECT TO CHANGE WITHOUT NOTICE

12000X778 SERIES - HIGH PERFORMANCE TOGGLE SWITCHES

Additional ordering information: Commonly ordered models are shown on prior pages with complete model numbers and specifications. Below is an order format that enables you to 'build your own switch' and specify the correct switch model number by simply selecting from all available options shown and filling in the boxes.

'BUILD YOUR OWN SWITCH' ORDER FORMAT

Fill in boxes with selections shown for **Model Structure**, then add **Options** selections for complete model number.
 Allowable options are shown below each respective box.
 Note 'NONE' indicates box may be left empty.

Model Structure:

Series	Terminals & bushings	Number of poles	Electrical functions	Momentary for function 4
1 2	<input type="text"/>	<input type="text"/>	<input type="text"/>	<input type="text"/>
	1 Solder lug or terminals 2 Straight p.c. terminals (all models have 15/32-32 thd'd. bushing)	4 Double pole 5 Three pole 6 Four pole	6 ON - ON 9 ON OFF ON 7 MOM OFF MOM 8 ON OFF MOM 5 - ON MOM 4 ON ON ON 4* ON ON MOM 4* MOM ON MOM * specify selection from 'Mom. for function 4' box also	(NONE) 1 R ON ON MOM 2 R MOM ON MOM

Options:

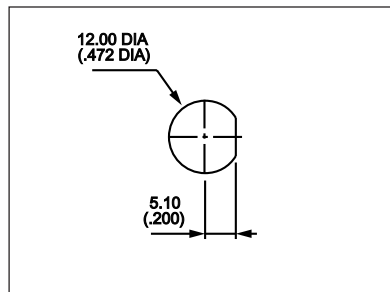
Actuators	Special options	Approvals/listings
<input type="text"/>	<input type="text"/>	<input type="text"/>
(NONE) Standard 1 2 Short 1 V Locking (1 position) 2 V Locking (2 positions) 3 V Locking (3 positions) (see actuator dwgs.)	X High performance	(NONE) C E C C (consult factory for details of approved models).

Example of completely specified model number:
121442R3VX778CECC

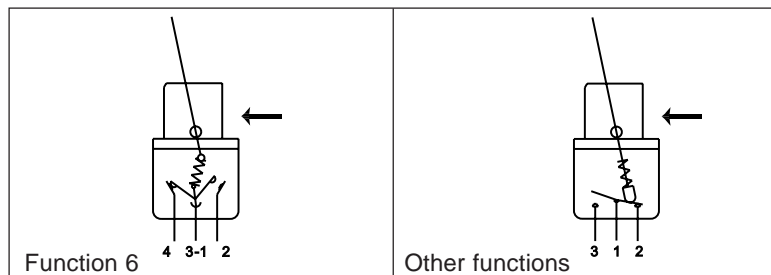
Although most combinations of options are available, some may result in incompatibilities. Consult factory if there is any question.

MISCELLANEOUS

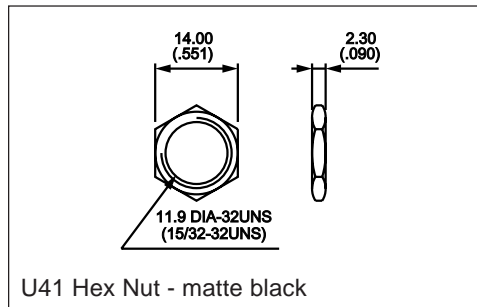
PANEL CUT-OUT



SWITCH ACTION (arrow indicates flat)



STANDARD HARDWARE



SPECIFICATIONS SUBJECT TO CHANGE WITHOUT NOTICE

12000X778 SERIES - HIGH PERFORMANCE TOGGLE SWITCHES

A

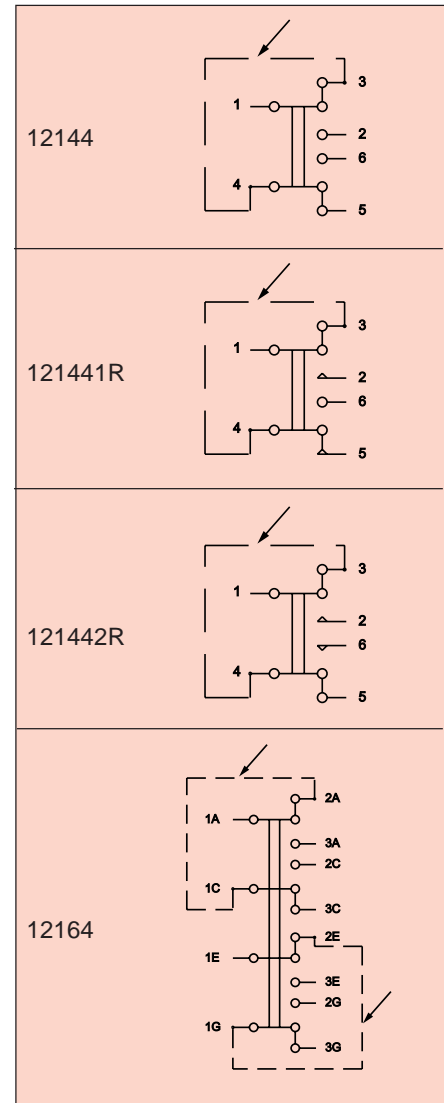
POSITIONS AND CONNECTIONS

SPECIFICATIONS SUBJECT TO CHANGE WITHOUT NOTICE

Function	Lever position & connections			Terminal identification
	I	II	III (flat)	
12146	ON (1-3)-4 (5-7)-8	-	ON (1-3)-2 (5-7)-6	
12147 12148 12149 12148CT	MOM ON ON MOM 1-2 4-5	OFF OFF OFF OFF	MOM MOM ON ON 1-3 4-6	→ Flat
12145	-	ON 1-2 4-5	MOM 1-3 4-6	
12144 121441R 121442R	ON MOM MOM 1-2 4-5	ON ON ON	ON ON MOM 1-3 4-6	
12156	ON (1-3)-4 (5-7)-8 (9-11)-12	-	ON (1-3)-2 (5-7)-6 (9-11)-10	
12166	ON 1A-3A 1C-3C 1E-3E 1G-3G	-	ON 1A-2A 1C-2C 1E-2E 1G-2G	
12164	ON 1A-2A 1C-2C 1E-2E 1G-2G	ON 1A-2A 1C-3C 1E-2E 1G-3G	ON 1A-3A 1C-3C 1E-3E 1G-3G	

Wiring for 3 way switches (function 4)

Arrow indicates external jumper added by customer.



4100 & 4200 SERIES - VDE APPROVED TOGGLE SWITCHES



FEATURES

- VDE frequent duty listing standard on all models.
- DPDT panel mounting models with solder lugs or p.c. terminals.
- Knee action quick-break toggle mechanism.
- Insulated actuator & bushing with actuator color options.

SPECIFICATIONS

Contact ratings (resistive loads):	3 Amps at 250 VAC, 6 Amps at 125 VAC or 30 VDC
Initial contact resistance:	10 milliohms maximum
Insulation resistance:	1000 megohms min. at 500 VDC
Dielectric strength:	2000 V rms min. - between terminals and between poles
Electrical life (resistive):	50,000 cycles 3 Amps 250 VAC. 10,000 cycles 6 Amps 125 VAC or 30 VDC
Operating temperature range:	-20°C to +55°C

MATERIALS

Contacts:	Silver inlay
Actuator:	Polyamide 6-6
Bushing:	Polyamide 6-6
Case:	Phenolic resin
Hardware:	Supplied with 1 Hex Nut p/n U166 and 1 insulating Knurled Nut p/n U520. Knurled Nut supplied same color as actuator. See hardware section of catalog.

AGENCY RECOGNITION



VDE (frequent duty), UL & CSA
VDE, UL & CSA marking is standard.

4100 & 4200 SERIES - VDE APPROVED TOGGLE SWITCHES

A

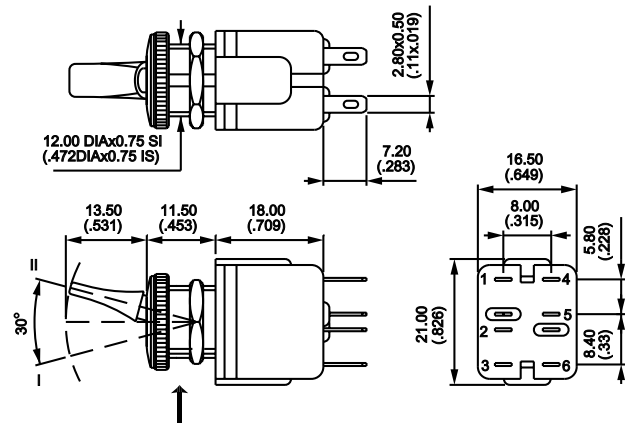
Solder lug terminals - 4100



DOUBLE POLE MODEL NO.	CIRCUIT	
4141A22UU	ON	OFF
4146A22UU	ON	ON
Handle position (see dwg.):	II	I

Above models have black actuator.

→ Keyway



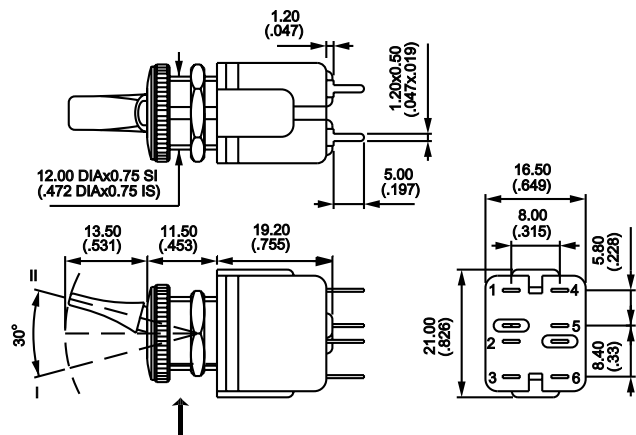
Straight p.c. terminals - 4200



DOUBLE POLE MODEL NO.	CIRCUIT	
4241A22UU	ON	OFF
4246A22UU	ON	ON
Handle position (see dwg.):	II	I

Above models have black actuator.

→ Keyway



OPTIONS & MISCELLANEOUS

ACTUATOR COLORS

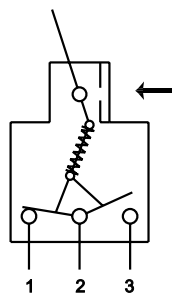
The last numeric digit in above switch model numbers indicates actuator and knurled mounting nut color. Other selections:

Colors

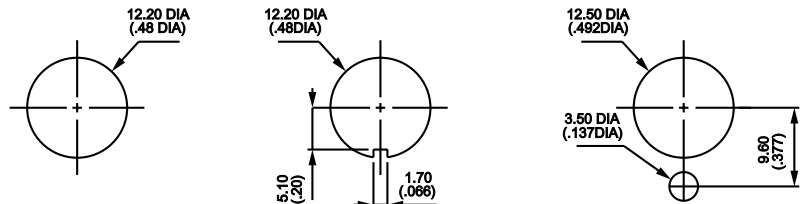
- 1 blue
- 2 black
- 3 green
- 4 grey
- 5 yellow
- 6 red
- 7/1 white
- 9 orange

SWITCH ACTION

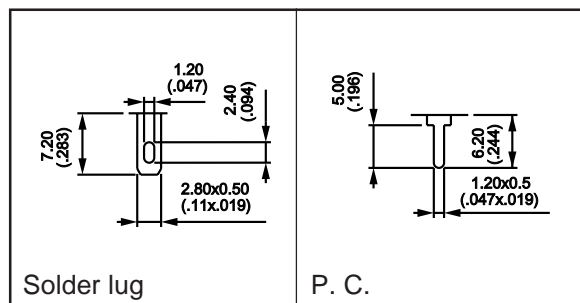
Arrow indicates keyway



PANEL CUT-OUTS



TERMINALS



Solder lug

P. C.

SPECIFICATIONS SUBJECT TO CHANGE WITHOUT NOTICE

4600 SERIES - UL, CSA & VDE RECOGNIZED TOGGLE SWITCHES



FEATURES

- High current & voltage ratings in small case.
- SPDT & DPDT panel mounting models with solder lug/quick-connect terminals.
- Insulated actuator & bushing with lever color options.

SPECIFICATIONS

Contact ratings:	4 Amps at 250 VAC, 6 Amps at 125 VAC (resistive loads) UL/CSA: 3 Amps at 250 VAC, 6 Amps at 125 VAC VDE: ON-OFF & ON-ON models only - 4(2)A 380 VAC
Initial contact resistance:	10 milliohms maximum
Insulation resistance:	1000 megohms min. at 500 VDC
Dielectric strength:	2000 V rms min. - between terminals and between poles
Electrical life (resistive):	10,000 cycles minimum at full load
Operating temperature range:	-20°C to +55°C

MATERIALS

Contacts:	Silver
Actuator:	Polyamide 6-6
Bushing:	Polyamide 6-6
Case:	Melamine phenolic
Hardware:	Supplied with 1 Hex Nut p/n U166 and 1 insulating Knurled Nut p/n U520. Knurled Nut supplied same color as actuator. See hardware section of catalog.

AGENCY RECOGNITION



VDE for functions ON-OFF & ON-ON. UL & CSA for all functions.
Switches are supplied with recognized mark.

4600 SERIES - UL, CSA & VDE RECOGNIZED TOGGLE SWITCHES

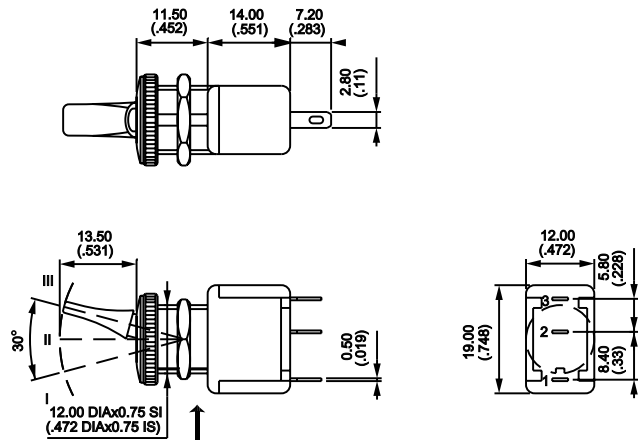
A

Solder lug/quick-connect terminals - single pole



SINGLE POLE MODEL NO.	CIRCUIT		
4631A22UU	ON	-	OFF
4636A22UU	ON	-	ON
4639A22UU	ON	OFF	ON
Handle position (see dwg.):	III	II	I

Above models have black actuator.

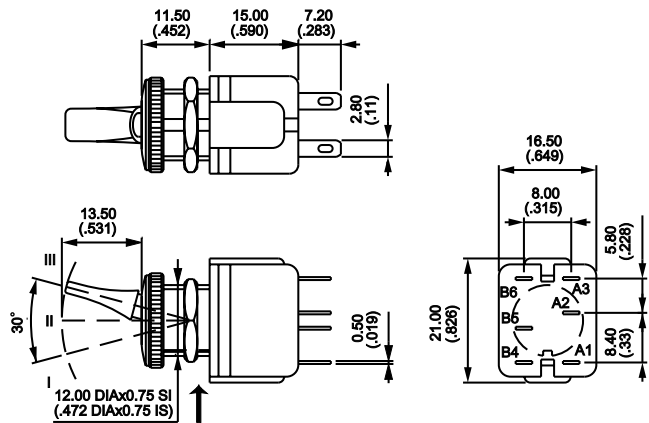


Solder lug/quick-connect terminals - double pole



DOUBLE POLE MODEL NO.	CIRCUIT		
4641A22UU	ON	-	OFF
4646A22UU	ON	-	ON
4649A22UU	ON	OFF	ON
Handle position (see dwg.):	III	II	I

Above models have black actuator.



OPTIONS & MISCELLANEOUS

ACTUATOR COLORS

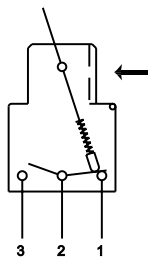
The last '2' in above switch model numbers indicates actuator and knurled mounting nut color. Other selections:

Colors

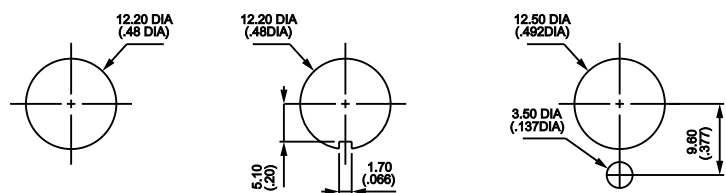
- 1 blue
- 2 black
- 3 green
- 4 grey
- 5 yellow
- 6 red
- 7/1 white
- 9 orange

SWITCH ACTION

Arrow indicates keyway

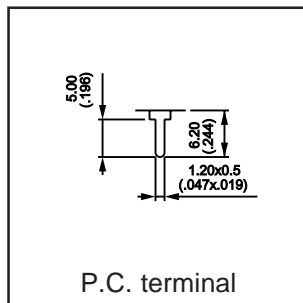
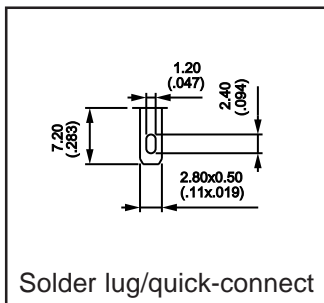


PANEL CUT-OUTS



Panel thickness: .196" (5mm) max. between 2 nuts

TERMINALS



To specify P.C. terminals replace 46 with 44 in part no. example: 4631A22UU becomes 4431A22UU

SPECIFICATIONS SUBJECT TO CHANGE WITHOUT NOTICE