

62069

**HI BRITE HERMETIC LED INDICATORS,
PANEL MOUNT**



11/20/03

Features:

- Front or Rear Mountable
- Hermetic LED – JANTX screened
- Choice of colors: red, yellow or green
- Designed for high-reliability applications

Applications:

- Fault indicator
- On / Off indicator
- Logic status indicator
- Binary data display

DESCRIPTION

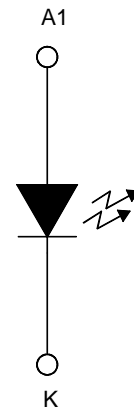
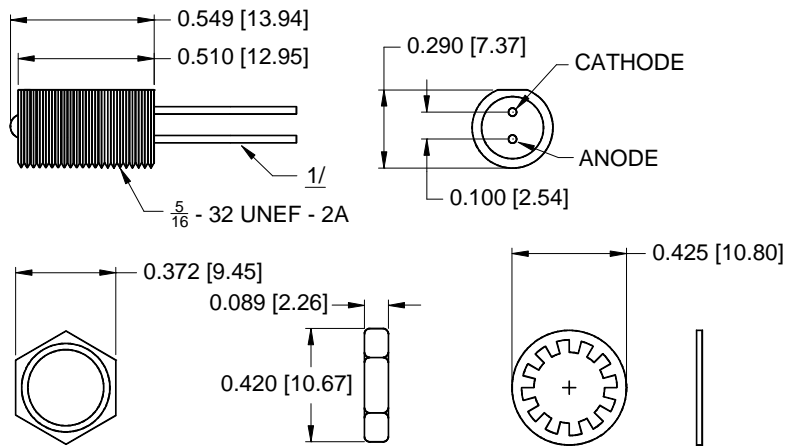
The 62069 panel mount panel indicators are constructed with a hermetically sealed LED in a rugged, black anodized housing. The unique style allows mounting from the front or rear and comes complete with mounting hardware. Assemblies are available as wire wrappable or with 20 AWG leads, as commercial or screened parts.

ABSOLUTE MAXIMUM RATINGS

Reverse Voltage.....	5 VDC
Continuous Forward Current.....	35 mA
Power Dissipation.....	120 mW
Storage Temperature.....	-65°C to 100°C
Operating Temperature	-55°C to 100°C

Package Dimensions

Schematic Diagram

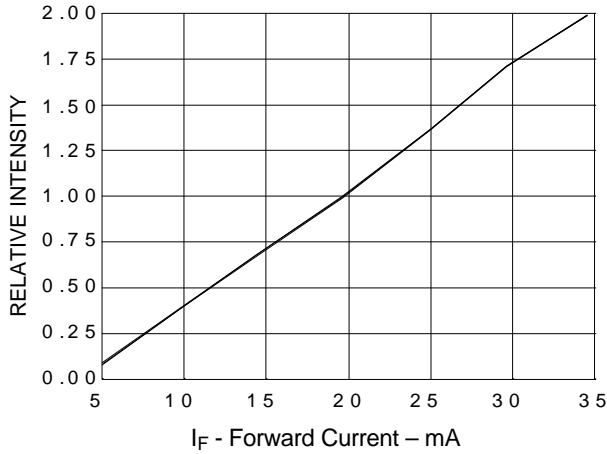


NOTES:

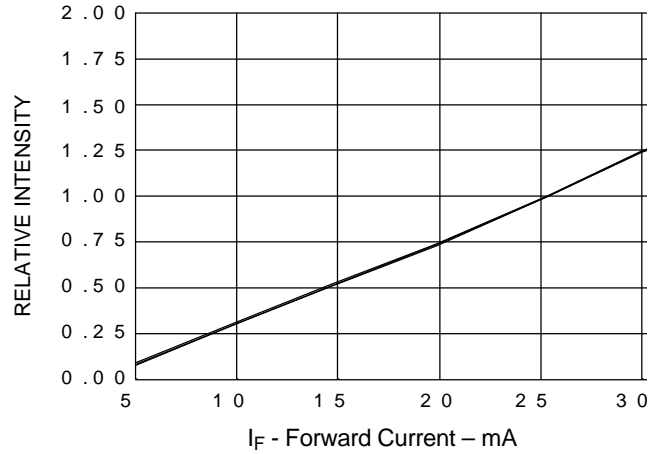
1. INSULATED WIRE 10" LENGTH:
WHITE - CATHODE, RED - ANODE.
2. TOLERANCES ARE ±0.005.

ALL DIMENSIONS ARE IN INCHES [MILLIMETERS].

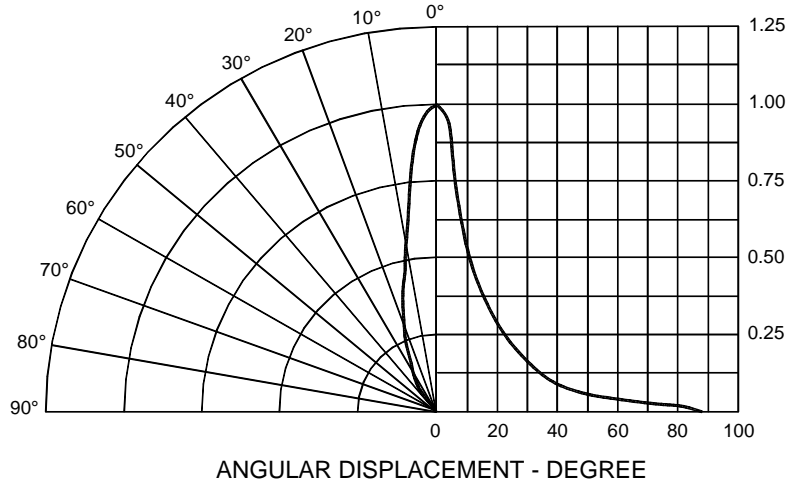
RED/YELLOW LED
Relative Luminous Intensity
vs.
Forward Current
(Normalized at 20 mA)



GREEN LED
Relative Luminous Intensity
vs.
Forward Current
(Normalized at 25 mA)



Relative Luminous Intensity
vs.
Angular Displacement



RECOMMENDED OPERATING CONDITIONS:

PARAMETER	SYMBOL	MIN	MAX	UNITS
Forward Current	I_F	20	35	mA
Operating Temperature	T_A	-55	+100	°C

SELECTION GUIDE

PART NUMBER	PART DESCRIPTION
62069-111	Red LED, commercial, wire wrapped leads
62069-112	Red LED, screened, wire wrapped leads
62069-121	Red LED, commercial, 20 AWG leads
62069-122	Red LED, screened, 20 AWG leads
62069-211	Yellow LED, commercial, wire wrapped leads
62069-212	Yellow LED, screened, wire wrapped leads
62069-221	Yellow LED, commercial, 20 AWG leads
62069-222	Yellow LED, screened, 20 AWG leads
62069-311	Green LED, commercial, wire wrapped leads
62069-312	Green LED, screened, wire wrapped leads
62068-321	Green LED, commercial, 20 AWG leads
62069-322	Green LED, screened, 20 AWG leads