

## FEATURES AND SPECIFICATIONS



# MX150L™ Application Tooling

Production for the Molex MX150L terminals requires a FineAdjust™ applicator with reeled products. It is compatible with the Molex TM-3000™ (63801-7200) and TM-2000™ (63800-8300) Universal Press, plus most industry standard presses. However, it does NOT fit into TM-40™ or TM-42™ presses.

Also available is a two-nested, parallel acting Molex hand tool. For higher volumes, an applicator with reeled product is recommended.

### Mechanical

#### Dimensions:

Height — 152.00mm (6.00")  
Width — 132.00mm (5.346")  
Depth — 101.00mm (4.00")

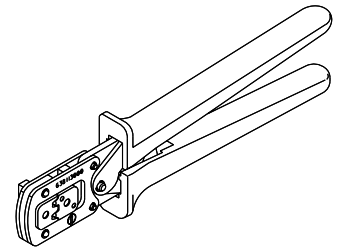
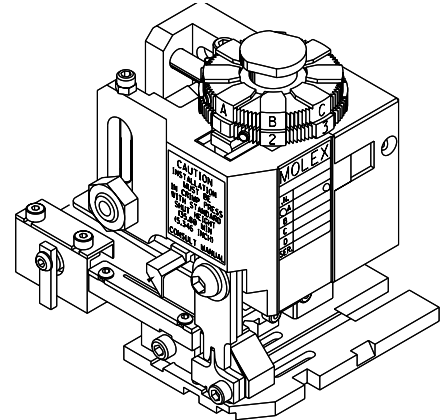
#### Weight:

Gross — 5.4kg (12 lbs.)  
Unpacked — 4.1kg (9 lbs.)

#### Mechanics:

Stroke — 28.50 and 41.30mm  
(1.125 and 1.625")  
Shut Height — 135.8mm (5.346")

Processing Capability: 2500 terminations per hour,  
depending on operator's skill and application



## ORDERING INFORMATION

Terminal Type	Pin Length	Wire Gauge	Reeled No.	Order No.		Loose Terminal No.	Hand Tool No.
				Complete Applicator	Perishable Tool Kit		
Male Pre-Tin	Standard	18-22 AWG	19417-0024	63865-6100	63865-6170	19417-0048	63811-4400
		14-16 AWG	19417-0011	63865-6000	63865-6070	19417-0047	63811-4400
		10-12 AWG	19431-0001	63832-5000	63832-5070	19431-0016	63811-5300
		8 AWG	19431-0015	63832-5100	63832-5170	19431-0017	63811-5400
	Long	18-22 AWG	19417-0028	63865-6100	63865-6170	19417-0052	63811-4400
		14-16 AWG	19417-0027	63865-6000	63865-6070	19417-0051	63811-4400
Male Gold	Standard	18-22 AWG	19417-0026	63865-6100	63865-6170	19417-0050	63811-4400
		14-16 AWG	19417-0025	63865-6000	63865-6070	19417-0049	63811-4400
	Long	18-22 AWG	19417-0030	63865-6100	63865-6170	19417-0054	63811-4400
		14-16 AWG	19417-0029	63865-6000	63865-6070	19417-0053	63811-4400
Female Pre-Tin	Standard	18-22 AWG	19420-0002	63865-6200	63865-6270	19420-0010	63811-4400
		14-16 AWG	19420-0001	63865-6000	63865-6070	19420-0009	63811-4400
		10-12 AWG	19434-0001	63832-5000	63832-5070	19434-0003	63811-5300
		8 AWG	19434-0002	63832-5100	63832-5170	19434-0004	63811-5400
Female Gold	Standard	18-22 AWG	19420-0004	63865-6200	63865-6270	19420-0012	63811-4400
		14-16 AWG	19420-0003	63865-6000	63865-6070	19420-0011	63811-4400

**Americas Headquarters**  
Lisle, Illinois 60532 U.S.A.  
1-800-78MOLEX  
amerinfo@molex.com

**Far East North Headquarters**  
Yamato, Kanagawa, Japan  
81-462-65-2324  
feninfo@molex.com

**Far East South Headquarters**  
Jurong, Singapore  
65-6-268-6868  
fesinfo@molex.com  
Visit our website at [www.molex.com](http://www.molex.com)

**European Headquarters**  
Munich, Germany  
49-89-413092-0  
eurinfo@molex.com

**Corporate Headquarters**  
2222 Wellington Ct.  
Lisle, IL 60532 U.S.A.  
630-969-4550  
Fax: 630-969-1352