

# ADT Series

High Performance Filters  
for High Current  
Three Phase Applications



UL Recognized†

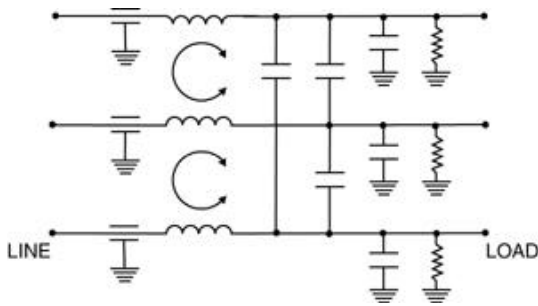
## ADT Series

Designed with very high insertion loss for Delta applications, these three phase filters work well in industrial applications to bring high current motor drives into compliance with the European EMC Directives.

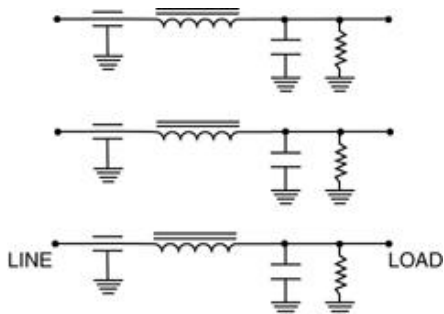
The series offers filters between 63 and 200 amps at 480 VAC phase-to-phase. It is available with common or differential mode (S models) coils for the correct protection to fit the application.

## Electrical Schematics

### ADT6



### ADT6S



ADT6 / ADT6S

## Specifications

Maximum leakage current,  
each line-to-ground

ADT6	0.76A at 230V 50 Hz
63ADT6S	1.5A at 230V 50 Hz
ADT6S	2.7A at 230V 50 Hz

Hipot rating (one minute):  
line-to-ground  
line-to-line

2250 VDC
2160 VDC

Operating frequency:

50/60 Hz

Rated voltage:

phase-to-phase	480 VAC
phase-to-ground	277 VAC

**Typical** insertion loss in dB:

Line-to-ground in 50 ohm circuit:

Current Rating	Frequency-MHz						
	.01	.1	1	10	30	100	300
<b>ADT6 Models</b>							
63A	45	85	95	100	100	100	100
100A	45	85	90	100	100	100	100
160A	45	80	90	100	100	100	100
200A	45	77	88	100	100	100	100
<b>ADT6S Models</b>							
63A	28	45	90	90	90	90	90
100A	38	60	95	100	100	100	100
160A	37	58	85	100	100	100	100
200A	35	54	80	100	100	100	100

Line-to-line in 50 ohm circuit:

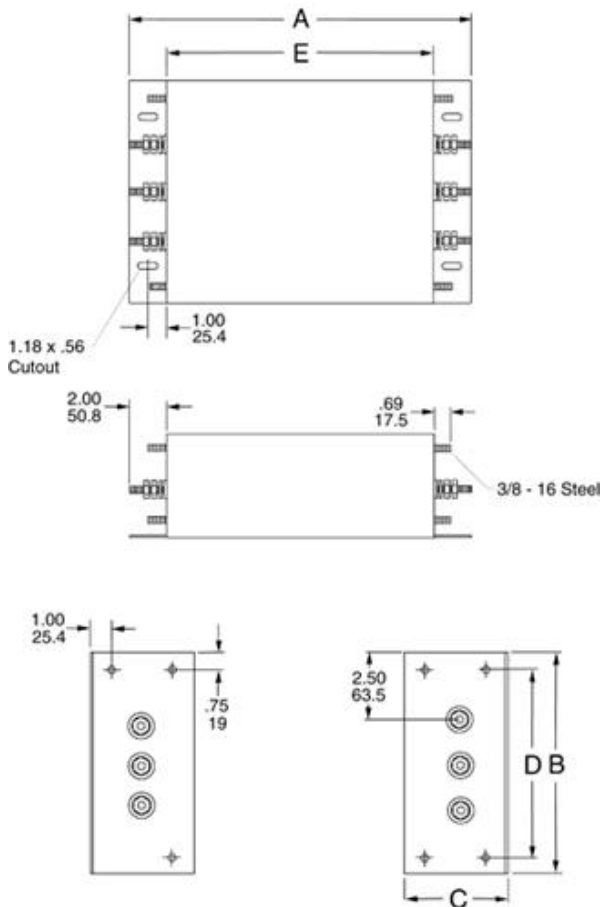
Current Rating	Frequency-MHz						
	.01	.1	1	10	30	100	300
<b>ADT6 Models</b>							
63A	35	100	100	100	100	100	100
100A	43	100	100	100	100	100	100
160A	44	100	100	100	100	100	100
200A	43	100	100	100	100	100	100
<b>ADT6S Models</b>							
63A	35	100	100	100	100	100	100
100A	43	100	100	100	100	100	100
160A	44	100	100	100	100	100	100
200A	43	100	100	100	100	100	100

†Does not include 160ADT6S and 200ADT6S.

# Series ADT

## Case Styles

Metric shown in italics.



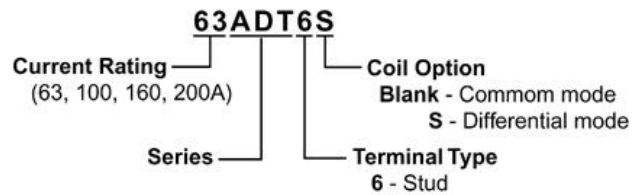
## Case Dimensions

Metric shown in italics.

Part No.	A (max)	B (max)	C (max)	D $\pm \frac{.030}{.76}$	E (max)
63ADT6	14.0 <i>355.6</i>	10.0 <i>254.0</i>	3.5 <i>89.0</i>	8.5 <i>216.0</i>	10.0 <i>254.0</i>
63ADT6S	19.0 <i>482.6</i>	10.0 <i>254.0</i>	4.5 <i>114.3</i>	8.5 <i>216.0</i>	15.0 <i>381.0</i>
100ADT6	19.0 <i>482.6</i>	10.0 <i>254.0</i>	4.5 <i>114.3</i>	8.5 <i>216.0</i>	15.0 <i>381.0</i>
100ADT6S	19.0 <i>482.6</i>	11.0 <i>279.4</i>	4.5 <i>114.3</i>	8.5 <i>216.0</i>	15.0 <i>381.0</i>
160/200ADT6	19.0 <i>482.6</i>	10.0 <i>254.0</i>	4.5 <i>114.3</i>	8.5 <i>216.0</i>	15.0 <i>381.0</i>
160/200ADT6S	22.0 <i>558.8</i>	13.0 <i>330.2</i>	4.5 <i>114.3</i>	11.5 <i>292.2</i>	18.0 <i>457.2</i>

## Ordering Information

Consult your local Corcom sales representative for pricing.



## Available Part Numbers

63ADT6	63ADT6S
100ADT6	100ADT6S
160ADT6	160ADT6S
200ADT6	200ADT6S