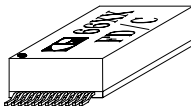
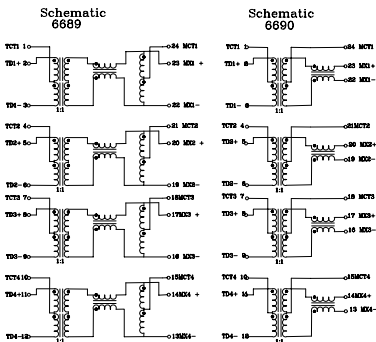
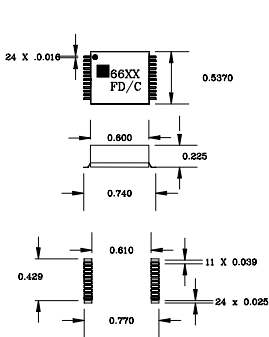


- Smaller package designed to fit behind RJ-45 Connector
- Intended for long haul Gigabit Ethernet 100.1000 Base-T Full duplex applications
- Supports 4 pairs of category 5 UTP cable


MECHANICAL AND SCHEMATIC (All dimensions in inches)

ELECTRICAL SPECIFICATION @ 25°C

Part Number	Insertion Loss (dB Max)	Return Loss (dB MIN @ 100Ω)					Differential to Common Mode Rejection (dB MIN)			Crosstalk (dB MIN)			Hipot (Vrms MIN)
		1-100 MHz	1-30 MHz	40 MHz	50 MHz	60-80 MHz	100 MHz	30 MHz	60 MHz	100 MHz	30 MHz	60 MHz	
6689	1.0	-18	-14.4	-13.1	-12	-10	-43	-37	-33	-45	-40	-35	1500
6690	1.0	-18	-14.4	-13.1	-12	-10	-43	-37	-33	-45	-40	-35	1500