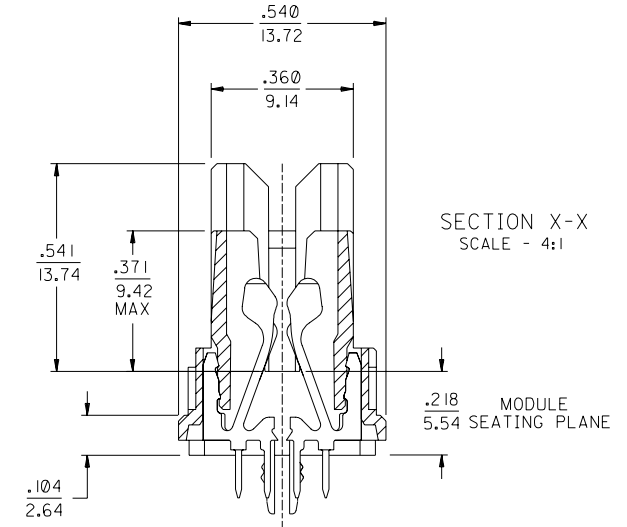
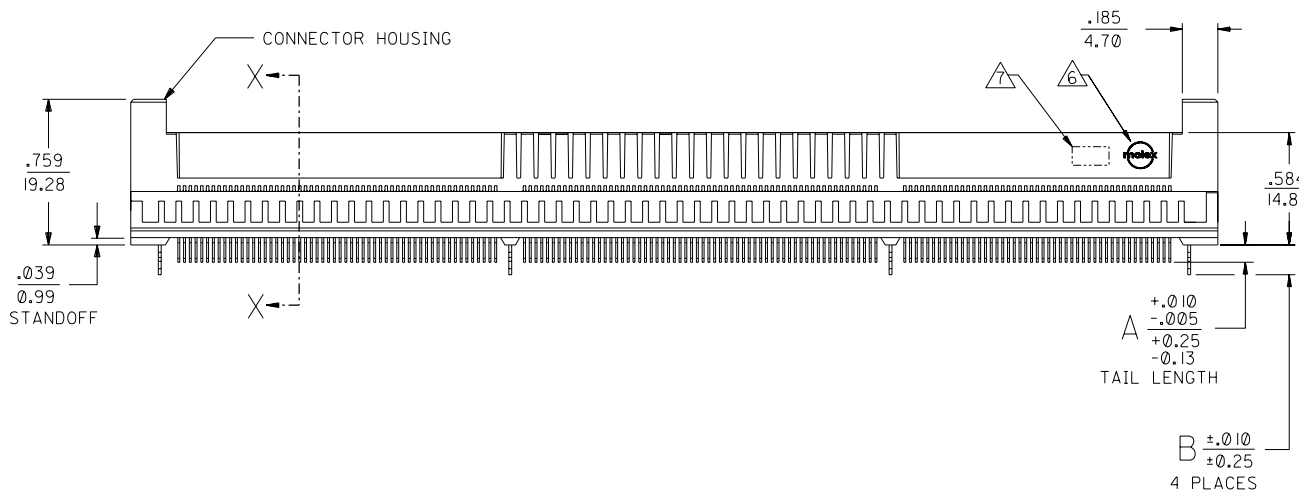
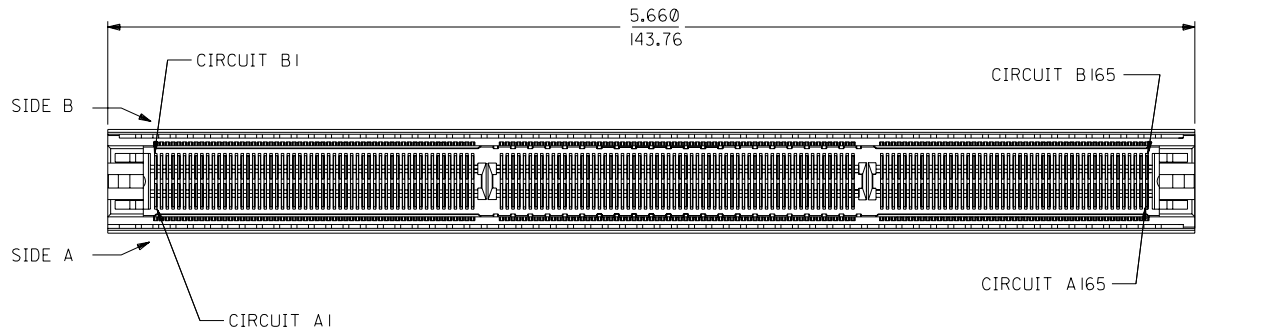


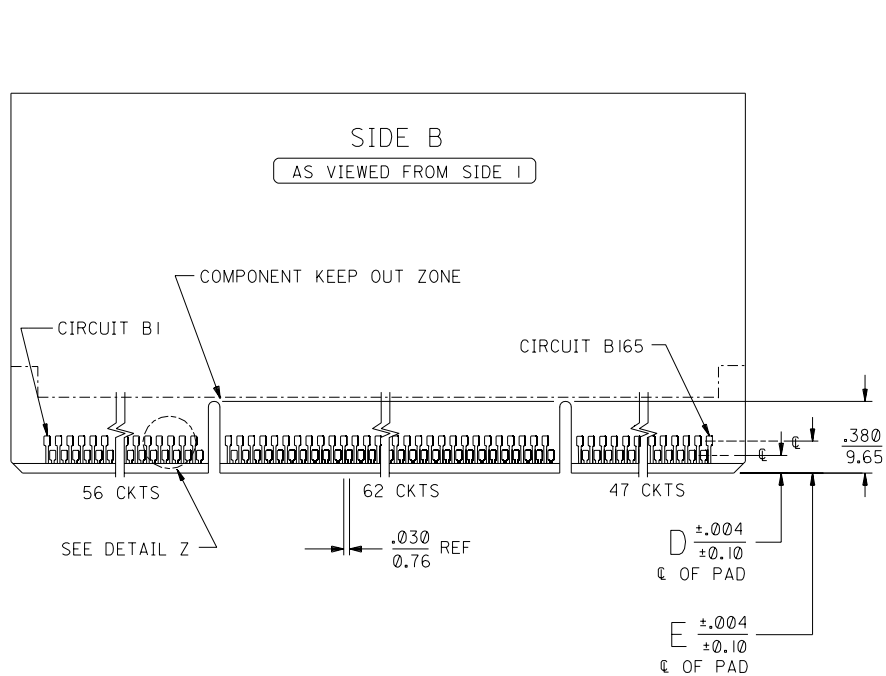
NOTES:

- MATERIALS:
HOUSING - LCP, 30% GLASS FILLED, 94-V0, BLACK.
TERMINALS - COPPER ALLOY
METAL FORKLLOCKS - PHOSPHOR BRONZE.
- FINISH:
TERMINALS - .000030/0.00076 MINIMUM GOLD IN THE CONTACT AREA AND .000075/0.0019 MINIMUM TIN IN SOLDER TAIL AREA OVER .000050/0.0013 MINIMUM NICKEL OVERALL.
METAL FORKLLOCKS - .00008/0.002 MINIMUM TIN OVERALL.
- PRODUCT SPECIFICATION PS-74191-XXXX APPLIES.
- CARD SLOT ACCEPTS .062 +.007/-.005 P.C. BOARD.
- THE RECOMMENDED PLATING SPECIFICATION FOR THE MATING PC BOARD IS .000030/0.0076 MINIMUM GOLD OVER .000075/0.0019 MINIMUM NICKEL.
- MOLEX LOGO SHALL APPEAR ON BOTH SIDES OF HOUSING, AND LOCATED APPROXIMATELY AS SHOWN.
- FOUR DIGIT DATE CODE (YR/WK) SHALL BE LOCATED APPROXIMATELY AS SHOWN.
- THE PRIMARY SHIPPING CARTON WILL BE LABELED "COMPLIANT TO ROHS DIRECTIVE 2002/95/EC AND ELV ANNEX II OF DIRECTIVE 2000/53/EC". CARTONS WITHOUT THIS LABEL MAY CONTAIN PRODUCT WITH LEAD.

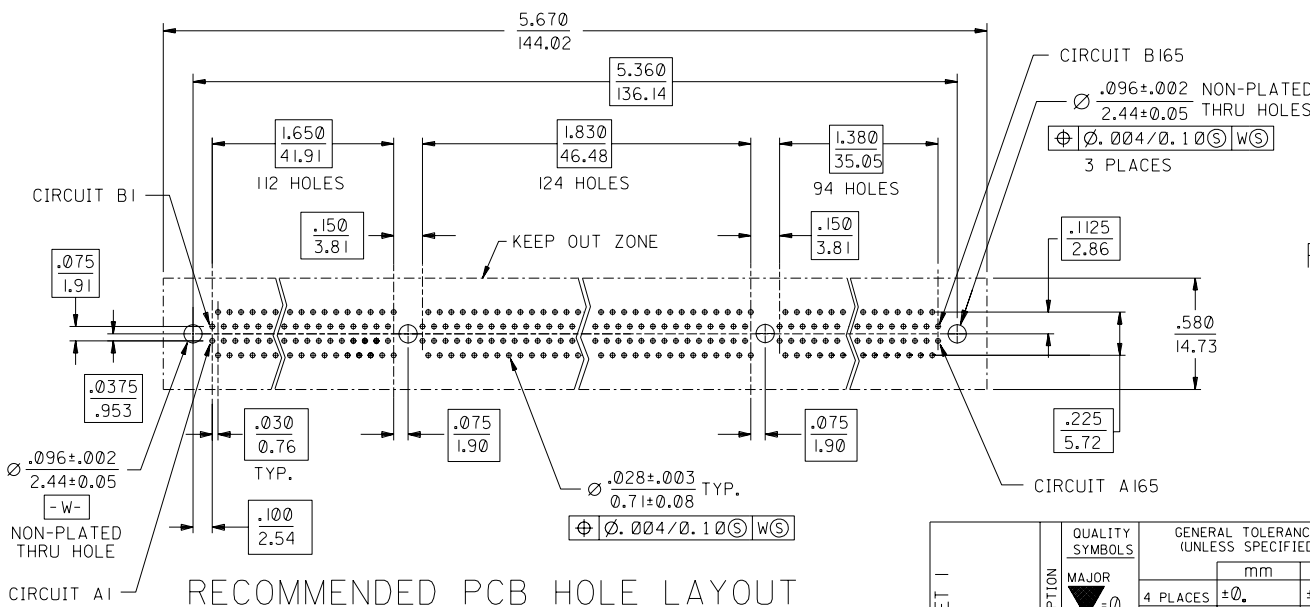
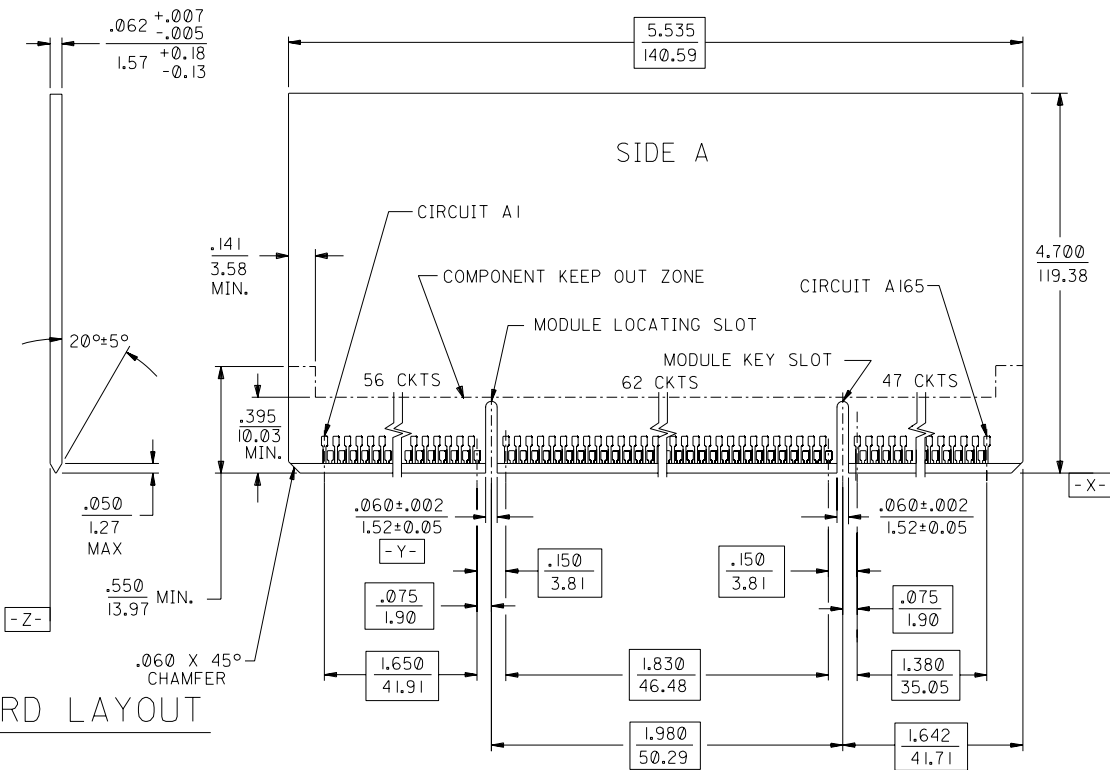


74191-0008	.090/2.29	.155/3.94
74191-0002	.115/2.92	.155/3.94
ITEM NUMBER	A	B

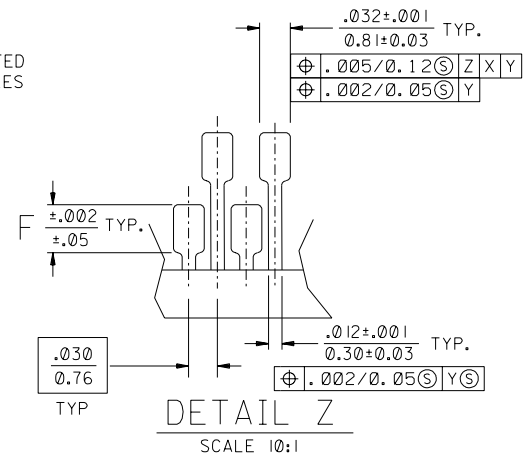
EC NO. UICP2004-2347 DRWN: RWHITE 04/05/21 CHK: BBARKER 04/05/21 APPR: SWILLER 04/05/21	QUALITY SYMBOLS MAJOR $\nabla = 0$ CRITICAL $\nabla C = 0$	GENERAL TOLERANCES: (UNLESS SPECIFIED) 4 PLACES ±0. ±. 3 PLACES ±0. ±.005 2 PLACES ±0.13 ±. 1 PLACE ±0. ±.	SCALE 2 : 1 DESIGN UNITS <input type="checkbox"/> mm <input checked="" type="checkbox"/> INCH	THIRD ANGLE PROJECTION <input type="checkbox"/> <input checked="" type="checkbox"/>	DIMENSIONS: <input type="checkbox"/> mm <input checked="" type="checkbox"/> INCH <input type="checkbox"/> mm ONLY	2 F 1 H	
	DESCRIPTION H	DRAWN BY & DATE TMCCLELL 99/01/15	CHECKED BY & DATE RESENDEZ 99/01/15	APPROVED BY & DATE NELSON 99/01/15	TITLE: SALES ASSEMBLY 330 CKT "HISPEC GS" CONNECTOR W/ METAL FORKLLOCKS	MOLEX INCORPORATED	REVISE ON CAD ONLY
	CAD FILENAME WORKMANAGER	MATERIAL NO. SEE TABLE	DRAWING NO. SD-74191-002	SHEET NO. 1 OF 2	THIS DRAWING CONTAINS INFORMATION THAT IS PROPRIETARY TO MOLEX INCORPORATED AND SHOULD NOT BE USED WITHOUT WRITTEN PERMISSION.		
	DRAFT WHERE APPLICABLE MUST REMAIN WITHIN DIMENSIONS						SIZE C



RECOMMENDED MODULE BOARD LAYOUT



RECOMMENDED PCB HOLE LAYOUT



DETAIL Z

SCALE 10:1

RECOMMENDED	.093/2.36	.168/4.27	.050/1.27
ALTERNATE	.100/2.54	.175/4.45	.065/1.65
PAD DIMENSION	D	E	F

EC NO.	DRWN:	CHK:	APPR:
REV	DESCRIPTION		
SEE SHEET 1	MAJOR	QUALITY SYMBOLS	
	CRITICAL	GENERAL TOLERANCES: (UNLESS SPECIFIED)	
		mm	INCH
		±0.	±.
		±0.	±.005
		±0.13	±.
		±0.	±.
		ANGULAR: ± 1°	
		DRAFT WHERE APPLICABLE MUST REMAIN WITHIN DIMENSIONS	

SCALE	DESIGN UNITS	THIRD ANGLE PROJECTION	TITLE:
2 : 1	INCH	<input checked="" type="checkbox"/>	SALES ASSEMBLY
			330 CKT "HISPEC GS" CONNECTOR
			W/ METAL FORKLLOCKS
			MATERIAL NO. SEE TABLE
			DRAWING NO. SD-74191-002
			SHEET NO. 2
			SIZE C

DRAWN BY & DATE	CHECKED BY & DATE	APPROVED BY & DATE
TMCCLELL 99/01/15	RESENDEZ 99/01/15	NELSON 99/01/15
CAD FILENAME: WORKMANAGER		

DIMENSIONS:		SHT	REV
<input type="checkbox"/> mm	<input checked="" type="checkbox"/> INCH		
<input type="checkbox"/> mm	<input type="checkbox"/> INCH		
MATERIAL NO. SEE TABLE		REVISE ON CAD ONLY	
DRAWING NO. SD-74191-002			
SHEET NO. 2			
SIZE C			