

## QUAD 2-INPUT SCHMITT NAND GATE

- HIGH SPEED:  $t_{PD} = 3.9 \text{ ns}$  (TYP.) at  $V_{CC} = 5V$
- LOW POWER DISSIPATION:  
 $I_{CC} = 2 \mu\text{A}$  (MAX.) at  $T_A = 25^\circ\text{C}$
- TYPICAL HYSTERESIS:  
 $V_h = 1V$  at  $V_{CC} = 4.5V$
- POWER DOWN PROTECTION ON INPUTS
- SYMMETRICAL OUTPUT IMPEDANCE:  
 $|I_{OH}| = I_{OL} = 8 \text{ mA}$  (MIN)
- BALANCED PROPAGATION DELAYS:  
 $t_{PLH} \cong t_{PHL}$
- OPERATING VOLTAGE RANGE:  
 $V_{CC(OPR)} = 2V$  to  $5.5V$
- PIN AND FUNCTION COMPATIBLE WITH 74 SERIES 132
- IMPROVED LATCH-UP IMMUNITY
- LOW NOISE:  $V_{OLP} = 0.8V$  (MAX.)

### DESCRIPTION

The 74VHC132 is an advanced high-speed CMOS QUAD 2-INPUT SCHMITT NAND GATE fabricated with sub-micron silicon gate and double-layer metal wiring C<sup>2</sup>MOS technology. Power down protection is provided on all inputs and 0 to 7V can be accepted on inputs with no regard to the supply voltage. This device can be used to interface 5V to 3V.



**Table 1: Order Codes**

| PACKAGE | T & R       |
|---------|-------------|
| SOP     | 74VHC132MTR |
| TSSOP   | 74VHC132TTR |

Pin configuration and function are the same as those of the 74VHC00 but the 74VHC132 has hysteresis.

This together with its schmitt trigger function allows it to be used on line receivers with slow rise/fall input signals.

All inputs and outputs are equipped with protection circuits against static discharge, giving them 2KV ESD immunity and transient excess voltage.

**Figure 1: Pin Connection And IEC Logic Symbols**

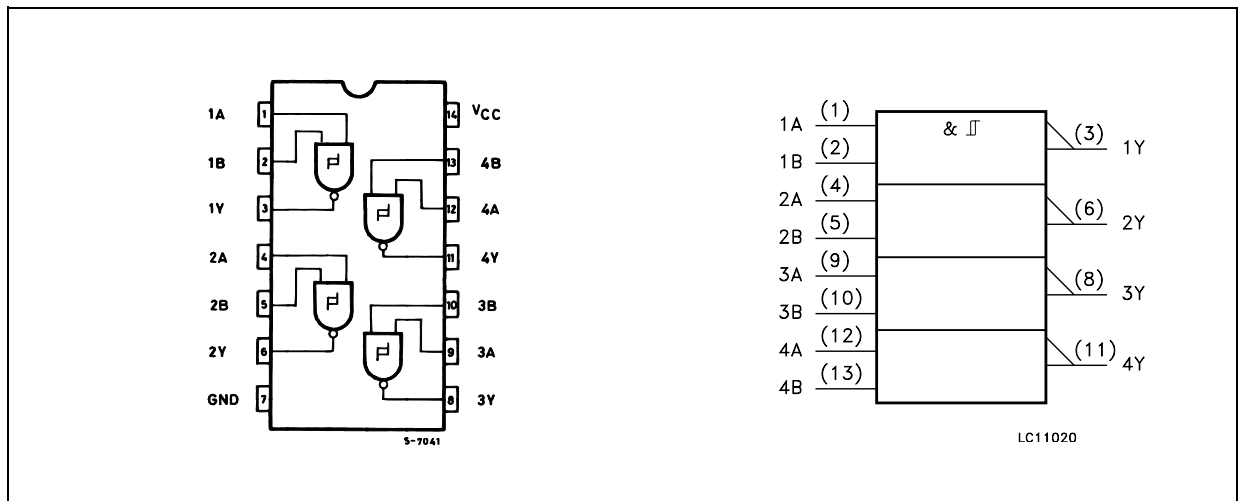


Figure 2: Input Equivalent Circuit

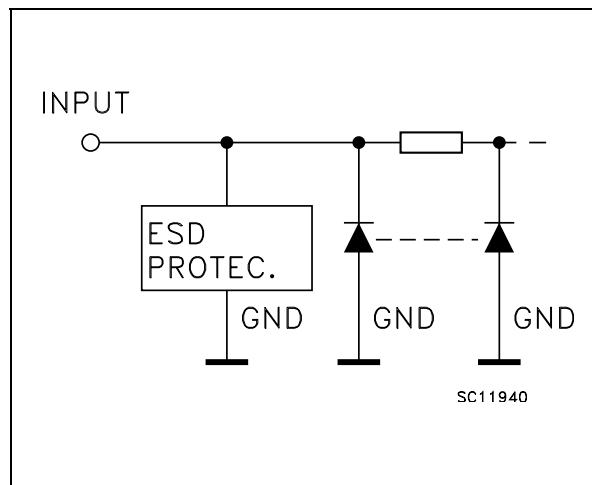


Table 2: Pin Description

| PIN N°       | SYMBOL          | NAME AND FUNCTION       |
|--------------|-----------------|-------------------------|
| 1, 4, 9, 12  | 1A to 4A        | Data Inputs             |
| 2, 5, 10, 13 | 1B to 4B        | Data Inputs             |
| 3, 6, 8, 11  | 1Y to 4Y        | Data Outputs            |
| 7            | GND             | Ground (0V)             |
| 14           | V <sub>CC</sub> | Positive Supply Voltage |

Table 3: Truth Table

| A | B | Y |
|---|---|---|
| L | L | H |
| L | H | H |
| H | L | H |
| H | H | L |

Table 4: Absolute Maximum Ratings

| Symbol                              | Parameter                            | Value                         | Unit |
|-------------------------------------|--------------------------------------|-------------------------------|------|
| V <sub>CC</sub>                     | Supply Voltage                       | -0.5 to +7.0                  | V    |
| V <sub>I</sub>                      | DC Input Voltage                     | -0.5 to +7.0                  | V    |
| V <sub>O</sub>                      | DC Output Voltage                    | -0.5 to V <sub>CC</sub> + 0.5 | V    |
| I <sub>IK</sub>                     | DC Input Diode Current               | - 20                          | mA   |
| I <sub>OK</sub>                     | DC Output Diode Current              | ± 20                          | mA   |
| I <sub>O</sub>                      | DC Output Current                    | ± 25                          | mA   |
| I <sub>CC</sub> or I <sub>GND</sub> | DC V <sub>CC</sub> or Ground Current | ± 50                          | mA   |
| T <sub>stg</sub>                    | Storage Temperature                  | -65 to +150                   | °C   |
| T <sub>L</sub>                      | Lead Temperature (10 sec)            | 300                           | °C   |

Absolute Maximum Ratings are those values beyond which damage to the device may occur. Functional operation under these conditions is not implied.

Table 5: Recommended Operating Conditions

| Symbol          | Parameter             | Value                | Unit |
|-----------------|-----------------------|----------------------|------|
| V <sub>CC</sub> | Supply Voltage        | 2 to 5.5             | V    |
| V <sub>I</sub>  | Input Voltage         | 0 to 5.5             | V    |
| V <sub>O</sub>  | Output Voltage        | 0 to V <sub>CC</sub> | V    |
| T <sub>op</sub> | Operating Temperature | -55 to 125           | °C   |

Table 6: DC Specifications

| Symbol          | Parameter                    | Test Condition         |   | Value                 |      |       |             |      |              | Unit |      |
|-----------------|------------------------------|------------------------|---|-----------------------|------|-------|-------------|------|--------------|------|------|
|                 |                              | V <sub>CC</sub><br>(V) |   | T <sub>A</sub> = 25°C |      |       | -40 to 85°C |      | -55 to 125°C |      |      |
|                 |                              |                        |   | Min.                  | Typ. | Max.  | Min.        | Max. | Min.         |      | Max. |
| V <sub>t+</sub> | High Level Threshold Voltage | 3.0                    |   | 2.2                   |      |       | 2.2         |      | 2.2          |      | V    |
|                 |                              | 4.5                    |   | 3.15                  |      |       | 3.15        |      | 3.15         |      |      |
|                 |                              | 5.5                    |   | 3.85                  |      |       | 3.85        |      | 3.85         |      |      |
| V <sub>t-</sub> | Low Level Threshold Voltage  | 3.0                    |   |                       |      | 0.9   |             | 0.9  |              | 0.9  | V    |
|                 |                              | 4.5                    |   |                       |      | 1.35  |             | 1.35 |              | 1.35 |      |
|                 |                              | 5.5                    |   |                       |      | 1.65  |             | 1.65 |              | 1.65 |      |
| V <sub>h</sub>  | Hysteresis Voltage           | 3.0                    |   | 0.3                   |      | 1.2   | 0.3         | 1.2  | 0.3          | 1.2  | V    |
|                 |                              | 4.5                    |   | 0.4                   |      | 1.4   | 0.4         | 1.4  | 0.4          | 1.4  |      |
|                 |                              | 5.5                    |   | 0.5                   |      | 1.6   | 0.5         | 1.6  | 0.5          | 1.6  |      |
| V <sub>OH</sub> | High Level Output Voltage    | 2.0                    | I <sub>O</sub> =-50 μA                  | 1.9                   | 2.0  |       | 1.9         |      | 1.9          |      | V    |
|                 |                              | 3.0                    | I <sub>O</sub> =-50 μA                  | 2.9                   | 3.0  |       | 2.9         |      | 2.9          |      |      |
|                 |                              | 4.5                    | I <sub>O</sub> =-50 μA                  | 4.4                   | 4.5  |       | 4.4         |      | 4.4          |      |      |
|                 |                              | 3.0                    | I <sub>O</sub> =-4 mA                   | 2.58                  |      |       | 2.48        |      | 2.4          |      |      |
|                 |                              | 4.5                    | I <sub>O</sub> =-8 mA                   | 3.94                  |      |       | 3.8         |      | 3.7          |      |      |
| V <sub>OL</sub> | Low Level Output Voltage     | 2.0                    | I <sub>O</sub> =50 μA                   |                       | 0.0  | 0.1   |             | 0.1  |              | 0.1  | V    |
|                 |                              | 3.0                    | I <sub>O</sub> =50 μA                   |                       | 0.0  | 0.1   |             | 0.1  |              | 0.1  |      |
|                 |                              | 4.5                    | I <sub>O</sub> =50 μA                   |                       | 0.0  | 0.1   |             | 0.1  |              | 0.1  |      |
|                 |                              | 3.0                    | I <sub>O</sub> =4 mA                    |                       |      | 0.36  |             | 0.44 |              | 0.55 |      |
|                 |                              | 4.5                    | I <sub>O</sub> =8 mA                    |                       |      | 0.36  |             | 0.44 |              | 0.55 |      |
| I <sub>I</sub>  | Input Leakage Current        | 0 to 5.5               | V <sub>I</sub> = 5.5V or GND            |                       |      | ± 0.1 |             | ± 1  |              | ± 1  | μA   |
| I <sub>CC</sub> | Quiescent Supply Current     | 5.5                    | V <sub>I</sub> = V <sub>CC</sub> or GND |                       |      | 2     |             | 20   |              | 20   | μA   |

Table 7: AC Electrical Characteristics (Input t<sub>r</sub> = t<sub>f</sub> = 3ns)

| Symbol                               | Parameter              | Test Condition         |                        | Value                 |      |      |             |      |              | Unit |      |
|--------------------------------------|------------------------|------------------------|------------------------|-----------------------|------|------|-------------|------|--------------|------|------|
|                                      |                        | V <sub>CC</sub><br>(V) | C <sub>L</sub><br>(pF) | T <sub>A</sub> = 25°C |      |      | -40 to 85°C |      | -55 to 125°C |      |      |
|                                      |                        |                        |                        | Min.                  | Typ. | Max. | Min.        | Max. | Min.         |      | Max. |
| t <sub>PLH</sub><br>t <sub>PHL</sub> | Propagation Delay Time | 3.3 <sup>(*)</sup>     | 15                     |                       | 5.6  | 11.9 | 1.0         | 14.0 | 1.0          | 14.0 | ns   |
|                                      |                        | 3.3 <sup>(*)</sup>     | 50                     |                       | 7.6  | 15.4 | 1.0         | 17.5 | 1.0          | 17.5 |      |
|                                      |                        | 5.0 <sup>(**)</sup>    | 15                     |                       | 3.9  | 7.7  | 1.0         | 9.0  | 1.0          | 9.0  |      |
|                                      |                        | 5.0 <sup>(**)</sup>    | 50                     |                       | 5.3  | 9.7  | 1.0         | 11.0 | 1.0          | 11.0 |      |

(\*) Voltage range is 3.3V ± 0.3V

(\*\*) Voltage range is 5.0V ± 0.5V

Table 8: Capacitive Characteristics

| Symbol   | Parameter                              | Test Condition | Value                    |      |      |                             |      |                              | Unit |      |
|----------|--|----------------|--------------------------|------|------|-----------------------------|------|------------------------------|------|------|
|          |  |                | $T_A = 25^\circ\text{C}$ |      |      | $-40$ to $85^\circ\text{C}$ |      | $-55$ to $125^\circ\text{C}$ |      |      |
|          |  |                | Min.                     | Typ. | Max. | Min.                        | Max. | Min.                         |      | Max. |
| $C_{IN}$ | Input Capacitance                      |                |                          | 6    | 10   |                             | 10   |                              | 10   | pF   |
| $C_{PD}$ | Power Dissipation Capacitance (note 1) |                |                          | 16   |      |                             |      |                              |      | pF   |

1)  $C_{PD}$  is defined as the value of the IC's internal equivalent capacitance which is calculated from the operating current consumption without load. (Refer to Test Circuit). Average operating current can be obtained by the following equation.  $I_{CC(opr)} = C_{PD} \times V_{CC} \times f_{IN} + I_{CC}/4$  (per gate)

Table 9: Dynamic Switching Characteristics

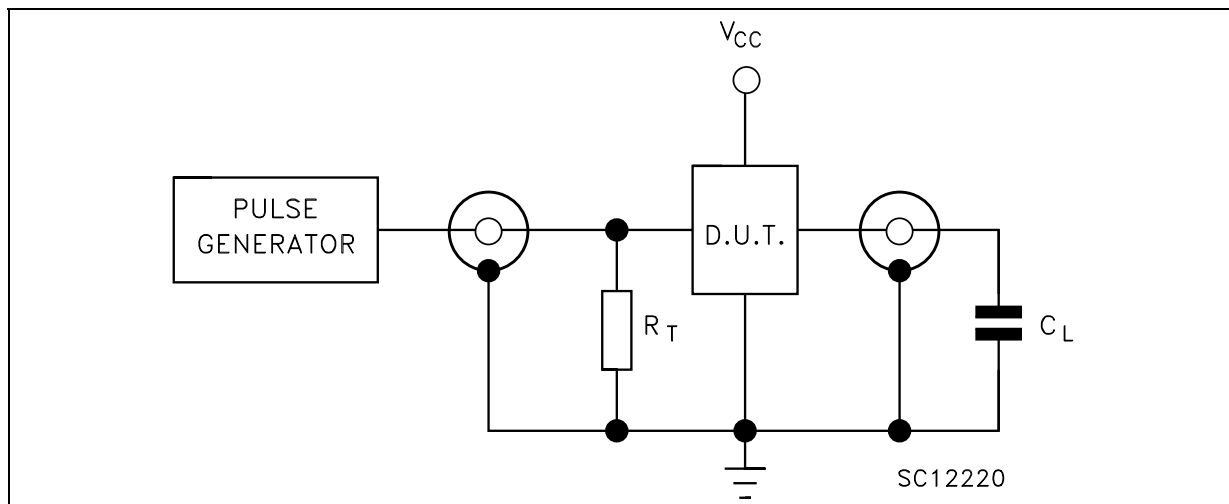
| Symbol    | Parameter                                    | Test Condition |               | Value                    |      |      |                             |      |                              | Unit |      |
|-----------|--|----------------|---------------|--------------------------|------|------|-----------------------------|------|------------------------------|------|------|
|           |  | $V_{CC}$ (V)   |               | $T_A = 25^\circ\text{C}$ |      |      | $-40$ to $85^\circ\text{C}$ |      | $-55$ to $125^\circ\text{C}$ |      |      |
|           |  |                |               | Min.                     | Typ. | Max. | Min.                        | Max. | Min.                         |      | Max. |
| $V_{OLP}$ | Dynamic Low Voltage Quiet Output (note 1, 2) | 5.0            | $C_L = 50$ pF |                          | 0.3  | 0.8  |                             |      |                              |      | V    |
| $V_{OLV}$ |  |                |               | -0.8                     | -0.3 |      |                             |      |                              |      |      |
| $V_{IHD}$ | Dynamic High Voltage Input (note 1, 3)       | 5.0            |               | 3.5                      |      |      |                             |      |                              | V    |      |
| $V_{ILD}$ | Dynamic Low Voltage Input (note 1, 3)        | 5.0            |               |                          |      | 1.5  |                             |      |                              |      | V    |

1) Worst case package.

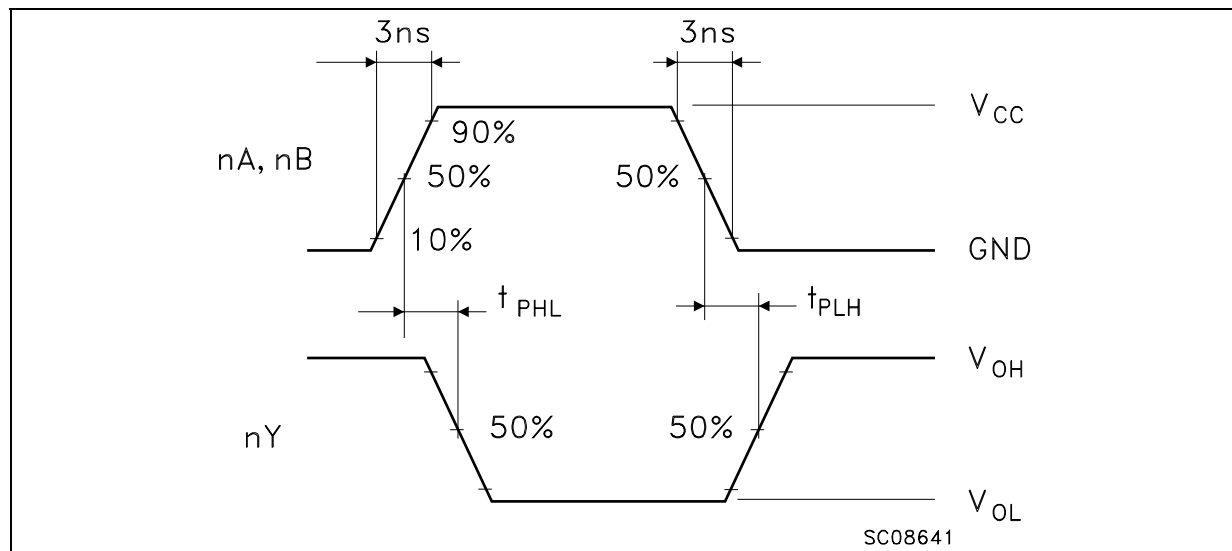
2) Max number of outputs defined as (n). Data inputs are driven 0V to 5.0V, (n-1) outputs switching and one output at GND.

3) Max number of data inputs (n) switching. (n-1) switching 0V to 5.0V. Inputs under test switching: 5.0V to threshold ( $V_{ILD}$ ), 0V to threshold ( $V_{IHD}$ ),  $f=1$ MHz.

Figure 3: Test Circuit

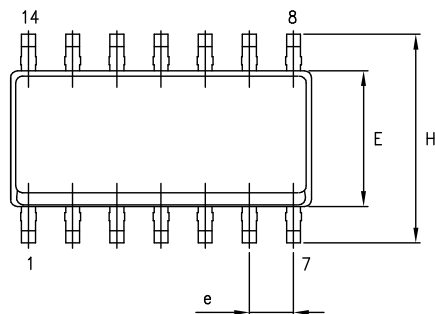
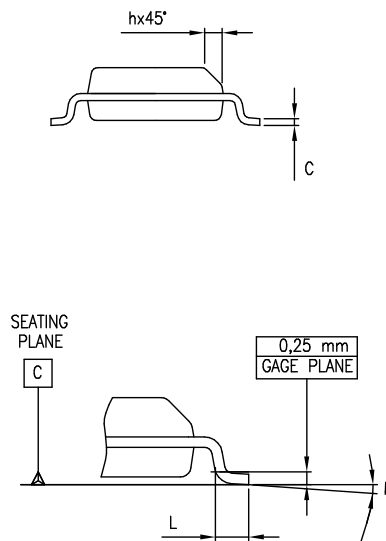
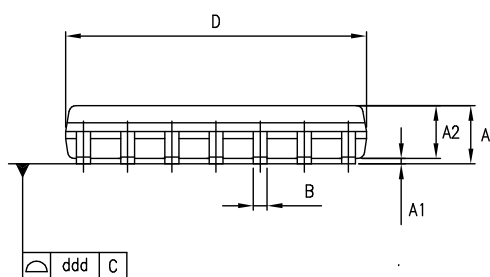


$C_L = 15/50$ pF or equivalent (includes jig and probe capacitance)  
 $R_T = Z_{OUT}$  of pulse generator (typically  $50\Omega$ )

Figure 4: Waveform - Propagation Delays ( $f=1\text{MHz}$ ; 50% duty cycle)

## SO-14 MECHANICAL DATA

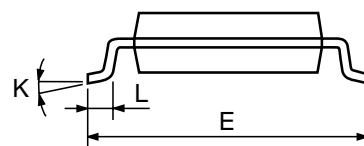
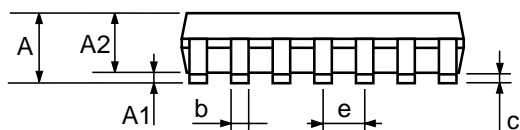
| DIM. | mm.  |      |       | inch  |       |       |
|------|------|------|-------|-------|-------|-------|
|      | MIN. | TYP. | MAX.  | MIN.  | TYP.  | MAX.  |
| A    | 1.35 |      | 1.75  | 0.053 |       | 0.069 |
| A1   | 0.1  |      | 0.25  | 0.004 |       | 0.010 |
| A2   | 1.10 |      | 1.65  | 0.043 |       | 0.065 |
| B    | 0.33 |      | 0.51  | 0.013 |       | 0.020 |
| C    | 0.19 |      | 0.25  | 0.007 |       | 0.010 |
| D    | 8.55 |      | 8.75  | 0.337 |       | 0.344 |
| E    | 3.8  |      | 4.0   | 0.150 |       | 0.157 |
| e    |      | 1.27 |       |       | 0.050 |       |
| H    | 5.8  |      | 6.2   | 0.228 |       | 0.244 |
| h    | 0.25 |      | 0.50  | 0.010 |       | 0.020 |
| L    | 0.4  |      | 1.27  | 0.016 |       | 0.050 |
| k    | 0°   |      | 8°    | 0°    |       | 8°    |
| ddd  |      |      | 0.100 |       |       | 0.004 |



0016019D

## TSSOP14 MECHANICAL DATA

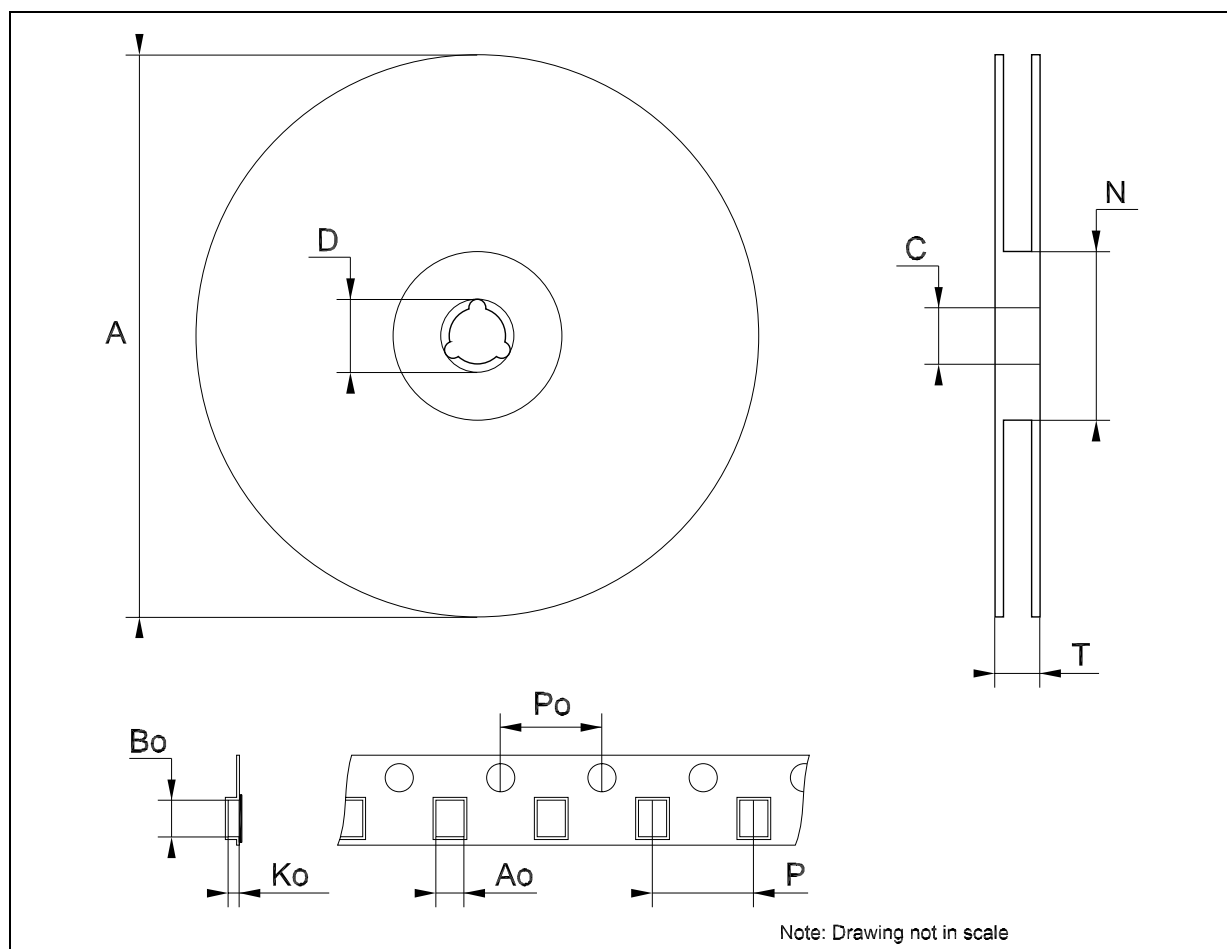
| DIM. | mm.  |          |      | inch  |            |        |
|------|------|----------|------|-------|------------|--------|
|      | MIN. | TYP      | MAX. | MIN.  | TYP.       | MAX.   |
| A    |      |          | 1.2  |       |            | 0.047  |
| A1   | 0.05 |          | 0.15 | 0.002 | 0.004      | 0.006  |
| A2   | 0.8  | 1        | 1.05 | 0.031 | 0.039      | 0.041  |
| b    | 0.19 |          | 0.30 | 0.007 |            | 0.012  |
| c    | 0.09 |          | 0.20 | 0.004 |            | 0.0089 |
| D    | 4.9  | 5        | 5.1  | 0.193 | 0.197      | 0.201  |
| E    | 6.2  | 6.4      | 6.6  | 0.244 | 0.252      | 0.260  |
| E1   | 4.3  | 4.4      | 4.48 | 0.169 | 0.173      | 0.176  |
| e    |      | 0.65 BSC |      |       | 0.0256 BSC |        |
| K    | 0°   |          | 8°   | 0°    |            | 8°     |
| L    | 0.45 | 0.60     | 0.75 | 0.018 | 0.024      | 0.030  |



0080337D

## Tape &amp; Reel SO-14 MECHANICAL DATA

| DIM. | mm.  |     |      | inch  |      |        |
|------|------|-----|------|-------|------|--------|
|      | MIN. | TYP | MAX. | MIN.  | TYP. | MAX.   |
| A    |      |     | 330  |       |      | 12.992 |
| C    | 12.8 |     | 13.2 | 0.504 |      | 0.519  |
| D    | 20.2 |     |      | 0.795 |      |        |
| N    | 60   |     |      | 2.362 |      |        |
| T    |      |     | 22.4 |       |      | 0.882  |
| Ao   | 6.4  |     | 6.6  | 0.252 |      | 0.260  |
| Bo   | 9    |     | 9.2  | 0.354 |      | 0.362  |
| Ko   | 2.1  |     | 2.3  | 0.082 |      | 0.090  |
| Po   | 3.9  |     | 4.1  | 0.153 |      | 0.161  |
| P    | 7.9  |     | 8.1  | 0.311 |      | 0.319  |





## Tape & Reel TSSOP14 MECHANICAL DATA

| DIM. | mm.  |     |      | inch  |      |        |
|------|------|-----|------|-------|------|--------|
|      | MIN. | TYP | MAX. | MIN.  | TYP. | MAX.   |
| A    |      |     | 330  |       |      | 12.992 |
| C    | 12.8 |     | 13.2 | 0.504 |      | 0.519  |
| D    | 20.2 |     |      | 0.795 |      |        |
| N    | 60   |     |      | 2.362 |      |        |
| T    |      |     | 22.4 |       |      | 0.882  |
| Ao   | 6.7  |     | 6.9  | 0.264 |      | 0.272  |
| Bo   | 5.3  |     | 5.5  | 0.209 |      | 0.217  |
| Ko   | 1.6  |     | 1.8  | 0.063 |      | 0.071  |
| Po   | 3.9  |     | 4.1  | 0.153 |      | 0.161  |
| P    | 7.9  |     | 8.1  | 0.311 |      | 0.319  |



**Table 10: Revision History**

| Date        | Revision | Description of Changes         |
|-------------|----------|--------------------------------|
| 12-Nov-2004 | 4        | Order Codes Revision - pag. 1. |

Information furnished is believed to be accurate and reliable. However, STMicroelectronics assumes no responsibility for the consequences of use of such information nor for any infringement of patents or other rights of third parties which may result from its use. No license is granted by implication or otherwise under any patent or patent rights of STMicroelectronics. Specifications mentioned in this publication are subject to change without notice. This publication supersedes and replaces all information previously supplied. STMicroelectronics products are not authorized for use as critical components in life support devices or systems without express written approval of STMicroelectronics.

The ST logo is a registered trademark of STMicroelectronics

All other names are the property of their respective owners

© 2004 STMicroelectronics - All Rights Reserved

STMicroelectronics group of companies

Australia - Belgium - Brazil - Canada - China - Czech Republic - Finland - France - Germany - Hong Kong - India - Israel - Italy - Japan - Malaysia - Malta - Morocco - Singapore - Spain - Sweden - Switzerland - United Kingdom - United States of America

[www.st.com](http://www.st.com)