

Premo-Flex™

Standard and High-Temperature

Flat Flex Cable Jumpers





Premo-Flex™ Standard and High-Temperature Flat Flex Cable Jumpers

Premo-Flex™

Molex offers a complete product line of 0.50mm (.020"), 1.00mm (.039"), and 1.25mm (.049") pitch FFC jumpers to terminate to ZIF (zero insertion force) and Non-ZIF FFC connectors for a flexible interconnection between two PCBs or a PCB and a display unit.

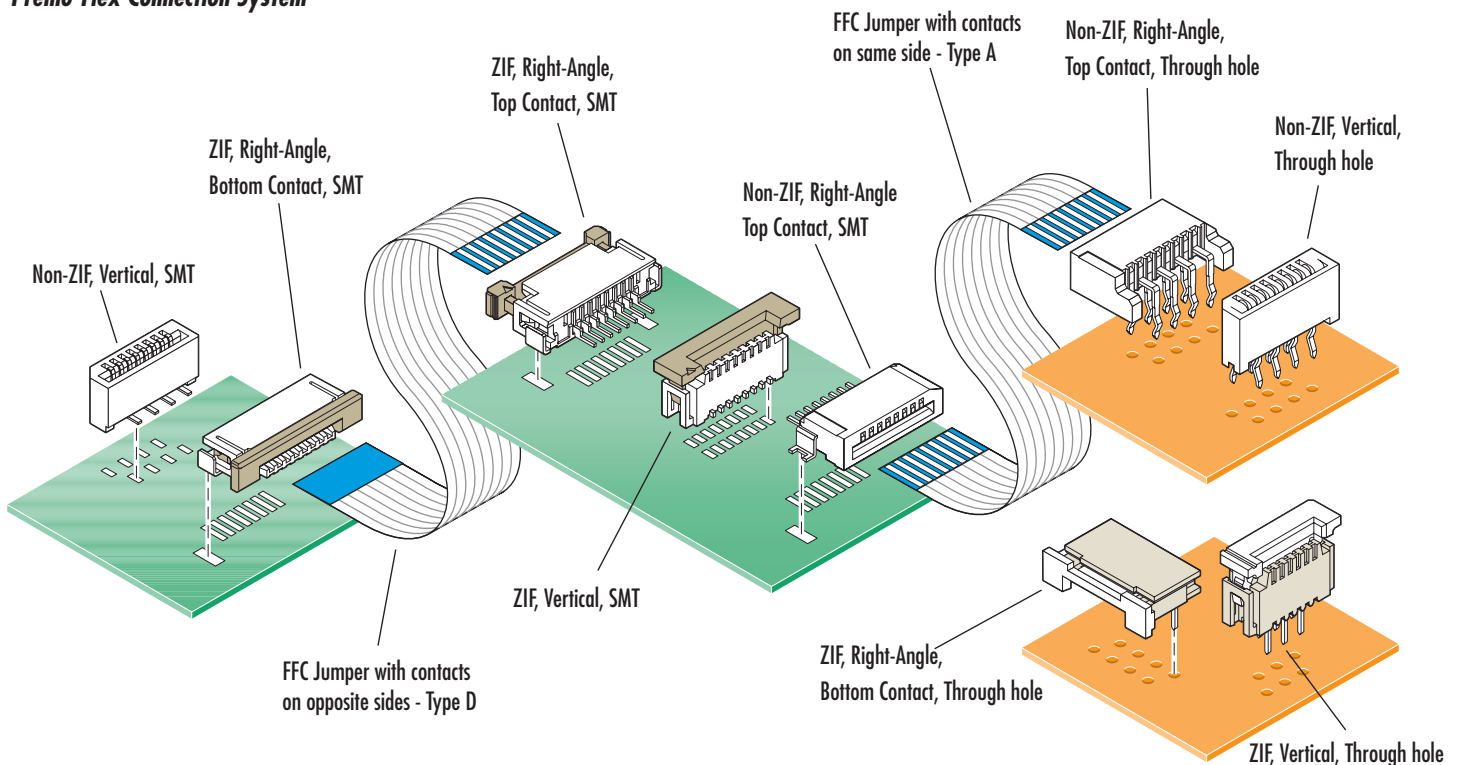
Premo-Flex FFC jumpers are available in a variety of circuit sizes depending on the pitch, and with the contacting area on the same side (Type A) or the opposite side (Type D) to mirror contact layout between PC Boards. Jumpers with one end stripped (exposed conductors) or on both ends, are also available.

Premo-Flex FFC standard jumpers allow a standard temperature environment up to 80°C. High-Temperature versions are rated up to 105°C.

Premo-Flex FFC Jumpers are designed to be used with the extensive Molex FFC connector product range.

Samples available via product manager only.

Premo-Flex Connection System

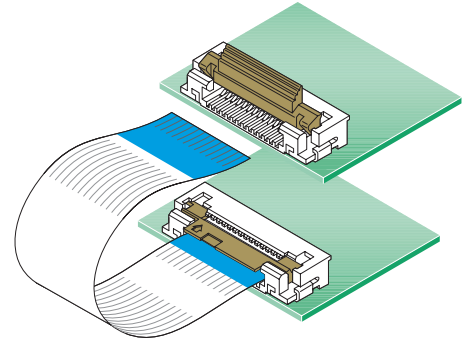


FEATURES AND SPECIFICATIONS



0.50mm (.020") Pitch Premo-Flex™

21020/98266 Standard/High-Temperature



Molex has a complete line of 0.50mm (.020") pitch Flat Flex Cable jumpers. These jumpers are used to connect 2 PC boards and terminate to either ZIF or Non-ZIF FFC Connectors.

Molex 0.50mm (.020") Flat Flex Cable jumpers are available in a wide variety of lengths and circuit sizes. Many standard lengths are easy to order and feature shorter lead times.

Reference Information

UL Style No. 2896

Mates with: 0.50mm (.020") Pitch

Molex FFC/FPC connector

Designed in: Millimeters

Electrical

Voltage: 30V

Current: 0.5A

Physical

Strip Length: 4.0mm (.157")

Reinforcement Length: 6.00mm (.236")

Width: (N + 1) 0.50mm

Span: (N - 1) 0.50mm

Margin: 0.35mm (.014")

Conductor Width: 0.30mm (.012")

Conductor Thickness: .035 to 1.00mm (.001 to .039")

End Thickness: 0.30±0.05mm (.012±.002")

0.50mm (.020") Pitch

Standard/High-Temperature	Series	Available Contact Orientation	Circuit Size	Overall Lengths*	Temperature
Standard	21020	Type A (contacts on same side) and Type D (contacts on opposite sides)	6 to 50	30.00 to 305.00mm (1.181 to 12.00")	-40 to 80°C
High-Temperature	98266				-40 to 105°C

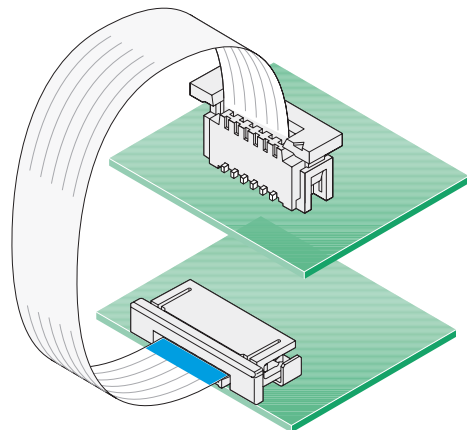
* Custom lengths over 305.00mm (12.00") also available

FEATURES AND SPECIFICATIONS



1.00mm (.039") Pitch Premo-Flex™

21039/98267 Standard/High-Temperature



Molex has a complete line of 1.00mm (.039") pitch Flat Flex Cable jumpers. These jumpers are used to connect 2 PC boards and terminate to either ZIF or Non-ZIF FFC Connectors.

Molex 1.00mm (.039") Flat Flex Cable jumpers are available in a wide variety of lengths and circuit sizes. Many standard lengths are easy to order and feature shorter lead times.

Reference Information

UL Style No.: 2896

Mates with: 1.00mm (.039") Pitch

Molex FFC/FPC connector

Designed in: Millimeters

Electrical

Voltage: 30V

Current: 1.3A

Physical

Strip Length: 4.0mm (.157")

Reinforcement Length: 8.00mm (.315")

Width: (N + 1) 1.00mm

Span: (N - 1) 1.00mm

Margin: 0.65mm (.026")

Conductor Width: 0.70mm (.028")

Conductor Thickness: .035 to 1.00mm (.001 to .039")

End Thickness: 0.30±0.05mm (.012±.002")

Temperature: -40 to +80°C

1.00mm (.039") Pitch

Standard/High-Temperature	Series	Available Contact Orientation	Circuit Size	Overall Lengths*	Temperature
Standard	21039	Type A (contacts on same side) and Type D (contacts on opposite sides)	4 to 99	30.00 to 305.00mm (1.181 to 12.00")	-40 to 80°C
High-Temperature	98267				-40 to 105°C

* Custom lengths over 305.00mm (12.00") also available



1.25mm (.049") Pitch Premo-Flex™

21049/98268 Standard/High-Temperature

Molex has a complete line of 1.25mm (.049") pitch Flat Flex Cable jumpers. These jumpers are used to connect 2 PC boards and terminate to either ZIF or Non-ZIF FFC Connectors.

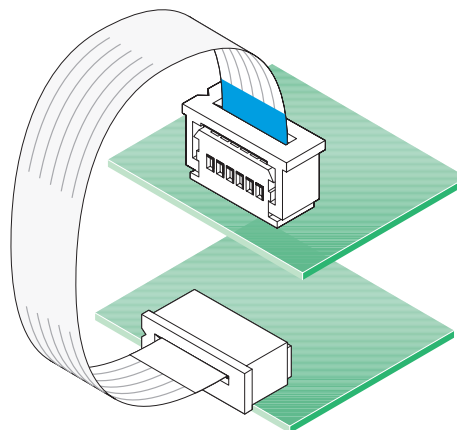
Molex 1.25mm (.049") Flat Flex Cable jumpers are available in a wide variety of lengths and circuit sizes. Many standard lengths are easy to order and feature shorter lead times.

Reference Information

UL Style No.: 2896
Mates with: 1.25mm (.049") Pitch
Molex FFC/FPC connector
Designed in: Millimeters

Electrical
Voltage: 30V
Current: 1.2A

Physical
Strip Length: 5.0mm (.197")
Reinforcement Length: 10.00mm (.394")
Width: (N + 1) 1.25mm
Span: (N - 1) 1.25mm
Margin: 0.85mm (.033")
Conductor Width: 0.80mm (.031")
Conductor Thickness: .035 to 1.00mm (.001 to .039")
End Thickness: 0.30±0.05mm (.012±.002")
Temperature: -40 to +80°C



1.25mm (.049") Pitch

Standard/High-Temperature	Series	Available Contact Orientation	Circuit Size	Overall Lengths*	Temperature
Standard	21049	Type A (contacts on same side) and Type D (contacts on opposite sides)	3 to 79	30.00 to 305.00mm (1.181 to 12.00")	-40 to 80°C
High-Temperature	98268				-40 to 105°C

* Custom lengths over 305.00mm (12.00") also available

