

Military ProASIC3/EL Low-Power Flash FPGAs with Flash*Freeze Technology



FlashLock

Features and Benefits

Military Temperature Tested and Qualified

- Each Device Tested from -55°C to 125°C

Firm-Error Immune

- Not Susceptible to Neutron-Induced Configuration Loss

Low Power

- Dramatic Reduction in Dynamic and Static Power
- 1.2 V to 1.5 V Core and I/O Voltage Support for Low Power[†]
- Low Power Consumption in Flash*Freeze Mode Allows for Instantaneous Entry To / Exit From Low-Power Flash*Freeze Mode^f
- Supports Single-Voltage System Operation
- Low-Impedance Switches

High Capacity

- 600 k to 3 M System Gates
- Up to 504 kbits of True Dual-Port SRAM
- Up to 620 User I/Os

Reprogrammable Flash Technology

- 130-nm, 7-Layer Metal (6 Copper), Flash-Based CMOS Process
- Live-at-Power-Up (LAPU) Level 0 Support
- Single-Chip Solution
- Retains Programmed Design when Powered Off

High Performance

- 350 MHz (1.5 V systems) and 250 MHz (1.2 V systems) System Performance
- 3.3 V, 66 MHz, 66-Bit PCI (1.5 V systems) and 66 MHz, 32-Bit PCI (1.2 V systems)

In-System Programming (ISP) and Security

- Secure ISP Using On-Chip 128-Bit Advanced Encryption Standard (AES) Decryption via JTAG (IEEE 1532-compliant)
- FlashLock[®] to Secure FPGA Contents

High-Performance Routing Hierarchy

- Segmented, Hierarchical Routing and Clock Structure
- High-Performance, Low-Skew Global Network
- Architecture Supports Ultra-High Utilization

Advanced and Pro (Professional) I/Os^{††}

- 700 Mbps DDR, LVDS-Capable I/Os
- 1.2 V, 1.5 V, 1.8 V, 2.5 V, and 3.3 V Mixed-Voltage Operation[†]
- Bank-Selectable I/O Voltages—up to 8 Banks per Chip
- Single-Ended I/O Standards: LVTTTL, LVCMOS 3.3 V / 2.5 V / 1.8 V / 1.5 V / 1.2 V, 3.3 V PCI / 3.3 V PCI-X, and LVCMOS 2.5 V / 5.0 V Input[†]
- Differential I/O Standards: LVPECL, LVDS, BLVDS, and M-LVDS
- Voltage-Referenced I/O Standards: GTL+ 2.5 V / 3.3 V, GTL 2.5 V / 3.3 V, HSTL Class I and II, SSTL2 Class I and II, SSTL3 Class I and II (A3PE3000L only)
- I/O Registers on Input, Output, and Enable Paths
- Hot-Swappable and Cold-Sparing I/Os
- Programmable Output Slew Rate and Drive Strength
- Programmable Input Delay (A3PE3000L only)
- Schmitt Trigger Option on Single-Ended Inputs (A3PE3000L)
- Weak Pull-Up/-Down
- IEEE 1149.1 (JTAG) Boundary Scan Test
- Pin-Compatible Packages across the Military ProASIC[®]3EL Family

Clock Conditioning Circuit (CCC) and PLL

- Six CCC Blocks, One with Integrated PLL (ProASIC3) and All with Integrated PLL (ProASIC3EL)
- Configurable Phase Shift, Multiply/Divide, Delay Capabilities, and External Feedback
- Wide Input Frequency Range 1.5 MHz to 250 MHz (1.2 V systems) and 350 MHz (1.5 V systems)

SRAMs and FIFOs

- Variable-Aspect-Ratio 4,608-Bit RAM Blocks (×1, ×2, ×4, ×9, and ×18 organizations available)
- True Dual-Port SRAM (except ×18)
- 24 SRAM and FIFO Configurations with Synchronous Operation:
 - 250 MHz: For 1.2 V Systems
 - 350 MHz: For 1.5 V Systems

ARM[®] Processor Support in ProASIC3/EL FPGAs

- ARM Cortex[™]-M1 Soft Processor Available with or without Debug

Table 1-1 • Military ProASIC3/EL Low-Power Devices

ProASIC3/EL Devices	A3PE600L	A3P1000	A3PE3000L
ARM Cortex-M1 Devices ¹		M1A3P1000	M1A3PE3000L
System Gates	600 k	1 M	3 M
VersaTiles (D-flip-flops)	13,824	24,576	75,264
RAM kbits (1,024 bits)	108	144	504
4,608-Bit Blocks	24	32	112
FlashROM Bits	1 k	1 k	1 k
Secure (AES) ISP ²	Yes	Yes	Yes
Integrated PLL in CCCs	6	1	6
VersaNet Globals	18	18	18
I/O Banks	8	4	8
Maximum User I/Os	270	154	620
Package Pins			
PQFP FBGA	FG484	PQ208 FG144	FG484, FG896

Notes:

1. Refer to the Cortex-M1 product brief for more information.
2. AES is not available for ARM-enabled ProASIC3/EL devices.

[†] A3P1000 only supports 1.5 V core operation.

^f Flash*Freeze technology is not available for A3P1000.

^{††} Pro I/Os are not available on A3P1000.

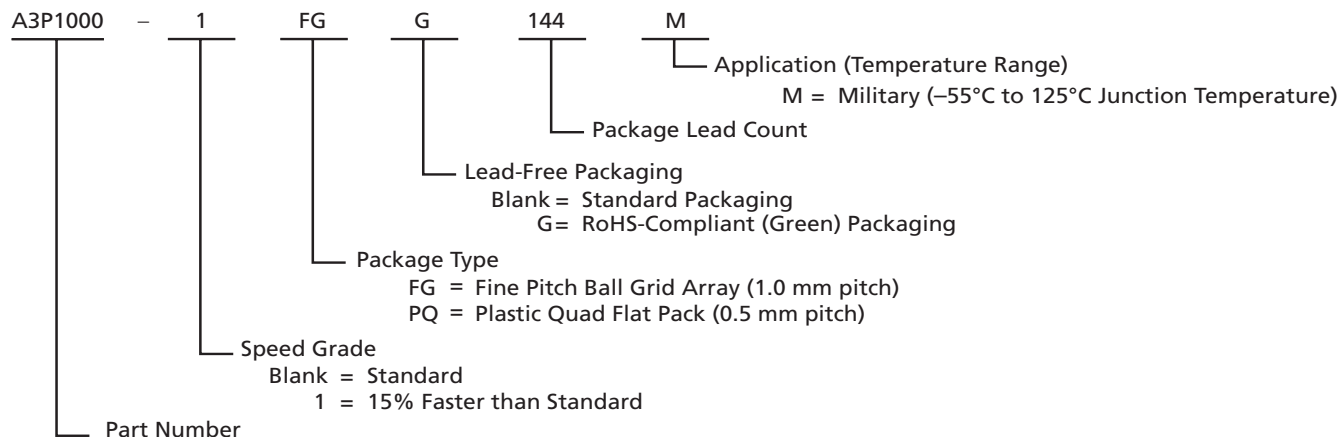
I/Os Per Package¹

ProASIC3/EL Low-Power Devices	A3PE600L		A3P1000		A3PE3000L	
ARM Cortex-M1 Devices			M1A3P1000		M1A3PE3000L	
Package	Single-Ended I/O ²	Differential I/O Pairs	Single-Ended I/O ²	Differential I/O Pairs	Single-Ended I/O ²	Differential I/O Pairs
PQ208	–	–	154	35	–	–
FG144	–	–	97	25	–	–
FG484	270	135	–	–	341	168
FG896	–	–	–	–	620	300

Notes:

1. When considering migrating your design to a lower- or higher-density device, refer to the packaging section of the datasheet to ensure you are complying with design and board migration requirements.
2. Each used differential I/O pair reduces the number of single-ended I/Os available by two.
3. "G" indicates RoHS-compliant packages. Refer to "Military ProASIC3/EL Ordering Information" on page iii for the location of the "G" in the part number.
4. For A3PE3000L devices, the usage of certain I/O standards is limited as follows:
 - SSTL3(I) and (II): up to 40 I/Os per north or south bank
 - LVPECL / GTL+ 3.3 V / GTL 3.3 V: up to 48 I/Os per north or south bank
 - SSTL2(I) and (II) / GTL+ 2.5 V / GTL 2.5 V: up to 72 I/Os per north or south bank
5. When the Flash*Freeze pin is used to directly enable Flash*Freeze mode and not as a regular I/O, the number of single-ended user I/Os available is reduced by one.

Military ProASIC3/EL Ordering Information



Military ProASIC3/EL Devices

- A3PE600L = 600,000 System Gates
- A3P1000 = 1,000,000 System Gates
- A3PE3000L = 3,000,000 System Gates

Military ProASIC3/EL Devices with ARM Cortex-M1

- M1A3P1000 = 1,000,000 System Gates
- M1A3PE3000L = 3,000,000 System Gates

Temperature Grade Offerings

Package	A3PE600L	A3P1000	A3PE3000L
ARM Cortex-M1 Devices		M1A3P1000	M1A3PE3000L
PQ208	–	M	–
FG144	–	M	–
FG484	M	–	M
FG896	–	–	M

Note: M = Military temperature range: –55°C to 125°C junction temperature

Speed Grade and Temperature Grade Matrix

Temperature Grade	Std.	–1
M	✓	✓

Note: M = Military temperature range: –55°C to 125°C junction temperature

Contact your local Actel representative for device availability:
<http://www.actel.com/contact/default.aspx>.

1 – Military ProASIC3/EL Device Family Overview

General Description

The military ProASIC3/EL family of Actel flash FPGAs dramatically reduces dynamic power consumption by 40% and static power by 50%. These power savings are coupled with performance, density, true single chip, 1.2 V to 1.5 V core and I/O operation, reprogrammability, and advanced features.

Actel's proven Flash*Freeze technology enables military ProASIC3EL device users to shut off dynamic power instantaneously and switch the device to static mode without the need to switch off clocks or power supplies, and retaining internal states of the device. This greatly simplifies power management. In addition, optimized software tools using power-driven layout provide instant push-button power reduction.

Nonvolatile flash technology gives military ProASIC3/EL devices the advantage of being a secure, low-power, single-chip solution that is live at power-up (LAPU). Military ProASIC3/EL devices offer dramatic dynamic power savings, giving FPGA users flexibility to combine low power with high performance.

These features enable designers to create high-density systems using existing ASIC or FPGA design flows and tools.

Military ProASIC3/EL devices offer 1 kbit of on-chip, reprogrammable, nonvolatile FlashROM storage as well as clock conditioning circuitry (CCC) based on an integrated phase-locked loop (PLL). Military ProASIC3/EL devices support devices from 600 k system gates to 3 million system gates with up to 504 kbits of true dual-port SRAM and 620 user I/Os.

M1 military ProASIC3/EL devices support the high-performance, 32-bit Cortex-M1 processor developed by ARM for implementation in FPGAs. ARM Cortex-M1 is a soft processor that is fully implemented in the FPGA fabric. It has a three-stage pipeline that offers a good balance between low-power consumption and speed when implemented in an M1 military ProASIC3/EL device. The processor runs the ARMv6-M instruction set, has a configurable nested interrupt controller, and can be implemented with or without the debug block. ARM Cortex-M1 is available at no cost from Actel for use in M1 military ProASIC3/ELFPGAs.

The ARM-enabled devices have Actel ordering numbers that begin with M1 and do not support AES decryption.

Flash*Freeze Technology[†]

Military ProASIC3EL devices offer Actel's proven Flash*Freeze technology, which allows instantaneous switching from an active state to a static state. When Flash*Freeze mode is activated, military ProASIC3EL devices enter a static state while retaining the contents of registers and SRAM. Power is conserved without the need for additional external components to turn off I/Os or clocks. Flash*Freeze technology is combined with in-system programmability, which enables users to quickly and easily upgrade and update their designs in the final stages of manufacturing or in the field. The ability of military ProASIC3EL devices to support a 1.2 V core voltage allows for an even greater reduction in power consumption, which enables low total system power.

When the military ProASIC3EL device enters Flash*Freeze mode, the device automatically shuts off the clocks and inputs to the FPGA core; when the device exits Flash*Freeze mode, all activity resumes and data is retained.

The availability of low-power modes, combined with a reprogrammable, single-chip, single-voltage solution, make military ProASIC3EL devices suitable for low-power data transfer and manipulation in military-temperature applications where available power may be limited (e.g., in battery-powered equipment); or where heat dissipation may be limited (e.g., in enclosures with no forced cooling).

[†] Flash*Freeze technology is not supported on A3P1000.

Flash Advantages

Low Power^f

The military ProASIC3EL family of Actel flash-based FPGAs provides a low-power advantage, and when coupled with high performance, enables designers to make power-smart choices using a single-chip, reprogrammable, and live-at-power-up device.

Military ProASIC3EL devices offer 40% dynamic power and 50% static power savings by reducing the core operating voltage to 1.2 V. In addition, the power-driven layout (PDL) feature in Libero[®] Integrated Design Environment (IDE) offers up to 30% additional power reduction. With Flash*Freeze technology, military ProASIC3EL device is able to retain device SRAM and logic while dynamic power is reduced to a minimum, without the need to stop clock or power supplies. Combining these features provides a low-power, feature-rich, and high-performance solution.

Security

Nonvolatile, flash-based military ProASIC3/EL devices do not require a boot PROM, so there is no vulnerable external bitstream that can be easily copied. Military ProASIC3/EL devices incorporate FlashLock, which provides a unique combination of reprogrammability and design security without external overhead, advantages that only an FPGA with nonvolatile flash programming can offer.

Military ProASIC3/EL devices utilize a 128-bit flash-based lock and a separate AES key to secure programmed intellectual property and configuration data. In addition, all FlashROM data in military ProASIC3/EL devices can be encrypted prior to loading, using the industry-leading AES-128 (FIPS192) bit block cipher encryption standard. AES was adopted by the National Institute of Standards and Technology (NIST) in 2000 and replaces the 1977 DES standard. Military ProASIC3/EL devices have a built-in AES decryption engine and a flash-based AES key that make them the most comprehensive programmable logic device security solution available today. Military ProASIC3/EL devices with AES-based security allow for secure, remote field updates over public networks such as the Internet, and ensure that valuable IP remains out of the hands of system overbuilders, system cloners, and IP thieves. The contents of a programmed device cannot be read back, although secure design verification is possible.

Security, built into the FPGA fabric, is an inherent component of the military ProASIC3/EL family. The flash cells are located beneath seven metal layers, and many device design and layout techniques have been used to make invasive attacks extremely difficult. The military ProASIC3/EL family, with FlashLock and AES security, is unique in being highly resistant to both invasive and noninvasive attacks. Your valuable IP is protected and secure, making remote ISP possible. A military ProASIC3/EL device provides the most impenetrable security for programmable logic designs.

Single Chip

Flash-based FPGAs store their configuration information in on-chip flash cells. Once programmed, the configuration data is an inherent part of the FPGA structure, and no external configuration data needs to be loaded at system power-up (unlike SRAM-based FPGAs). Therefore, flash-based military ProASIC3/EL FPGAs do not require system configuration components such as EEPROMs or microcontrollers to load device configuration data. This reduces bill-of-materials costs and PCB area, and increases security and system reliability.

Live at Power-Up

Actel flash-based military ProASIC3/EL devices support Level 0 of the LAPU classification standard. This feature helps in system component initialization, execution of critical tasks before the processor wakes up, setup and configuration of memory blocks, clock generation, and bus activity management. The LAPU feature of flash-based military ProASIC3/EL devices greatly simplifies total system design and reduces total system cost, often eliminating the need for CPLDs and clock generation PLLs. In addition, glitches and brownouts in system power will not corrupt the military ProASIC3/EL device's flash configuration, and unlike SRAM-based FPGAs, the device will not have to be reloaded when system power is restored. This enables the reduction or complete removal of the configuration PROM, expensive voltage monitor, brownout detection, and clock generator devices from the PCB design. Flash-based military ProASIC3/EL devices simplify total system design and

^f A3P1000 only supports 1.5 V core operation.



reduce cost and design risk while increasing system reliability and improving system initialization time.

Reduced Cost of Ownership

Advantages to the designer extend beyond low unit cost, performance, and ease of use. Unlike SRAM-based FPGAs, flash-based military ProASIC3/EL devices allow all functionality to be live at power-up; no external boot PROM is required. On-board security mechanisms prevent access to all the programming information and enable secure remote updates of the FPGA logic. Designers can perform secure remote in-system reprogramming to support future design iterations and field upgrades with confidence that valuable intellectual property cannot be compromised or copied. Secure ISP can be performed using the industry-standard AES algorithm. The military ProASIC3/EL family device architecture mitigates the need for ASIC migration at higher volumes. This makes the military ProASIC3/EL family a cost-effective ASIC replacement.

Firm-Error Immunity

Firm errors occur most commonly when high-energy neutrons, generated in the upper atmosphere, strike a configuration cell of an SRAM FPGA. The energy of the collision can change the state of the configuration cell and thus change the logic, routing, or I/O behavior in an unpredictable way. These errors are impossible to prevent in SRAM FPGAs. The consequence of this type of error can be a complete system failure. Firm errors do not exist in the configuration memory of military ProASIC3/EL flash-based FPGAs. Once it is programmed, the flash cell configuration element of military ProASIC3/EL FPGAs cannot be altered by high-energy neutrons and is therefore immune to them. Recoverable (or soft) errors occur in the user data SRAM of all FPGA devices. These can easily be mitigated by using error detection and correction (EDAC) circuitry built into the FPGA fabric.

Advanced Flash Technology

The military ProASIC3/EL family offers many benefits, including nonvolatility and reprogrammability, through an advanced flash-based, 130-nm LVCMOS process with 7 layers of metal. Standard CMOS design techniques are used to implement logic and control functions. The combination of fine granularity, enhanced flexible routing resources, and abundant flash switches allows for very high logic utilization without compromising device routability or performance. Logic functions within the device are interconnected through a four-level routing hierarchy.

Advanced Architecture

The proprietary military ProASIC3/EL architecture provides granularity comparable to standard-cell ASICs. The military ProASIC3/EL device consists of five distinct and programmable architectural features (Figure 1-1 on page 1-4 and Figure 1-2):

- FPGA VersaTiles
- Dedicated FlashROM
- Dedicated SRAM/FIFO memory
- Extensive CCCs and PLLs
- I/O structure

The FPGA core consists of a sea of VersaTiles. Each VersaTile can be configured as a three-input logic function, a D-flip-flop (with or without enable), or a latch by programming the appropriate flash switch interconnections. The versatility of the military ProASIC3/EL core tile, as either a three-input lookup table (LUT) equivalent or a D-flip-flop/latch with enable, allows for efficient use of the FPGA fabric. The VersaTile capability is unique to the Actel ProASIC family of third-generation-architecture flash FPGAs. VersaTiles are connected with any of the four levels of routing hierarchy. Flash switches are distributed throughout the device to provide nonvolatile, reconfigurable interconnect programming. Maximum core utilization is possible for virtually any design.

In addition, extensive on-chip programming circuitry allows for rapid, single-voltage (3.3 V) programming of military ProASIC3/EL devices via an IEEE 1532 JTAG interface.

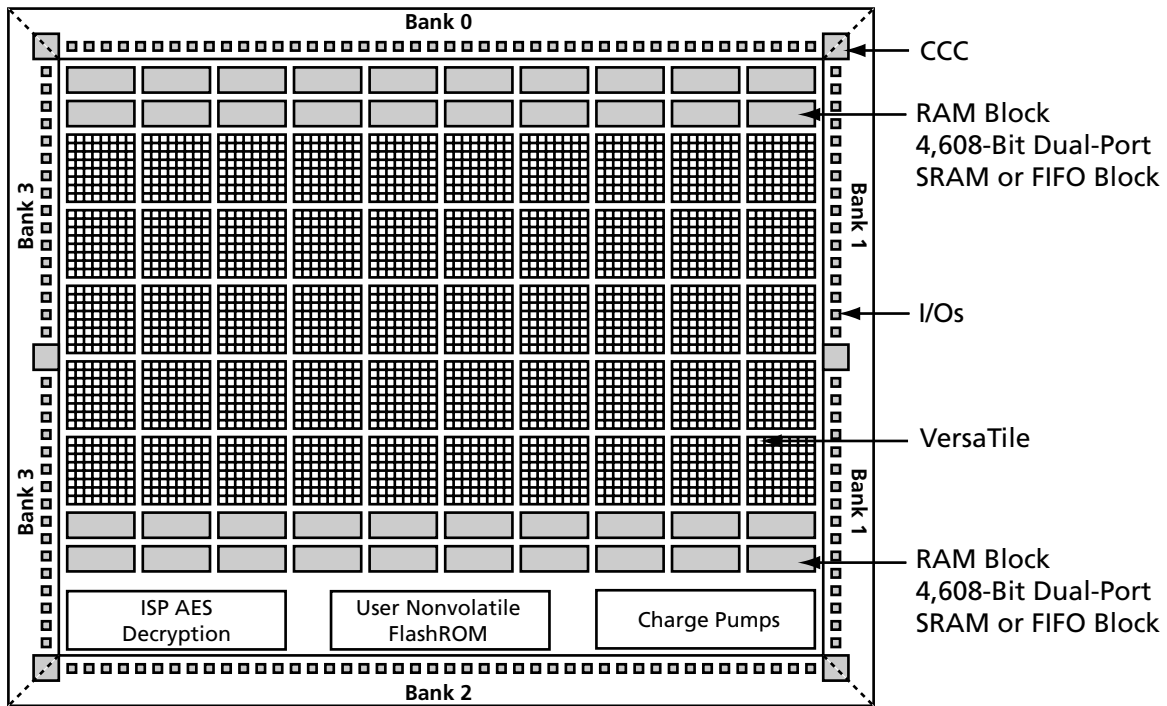


Figure 1-1 • Military ProASIC3 Device Architecture Overview with Four I/O Banks (A3P1000)

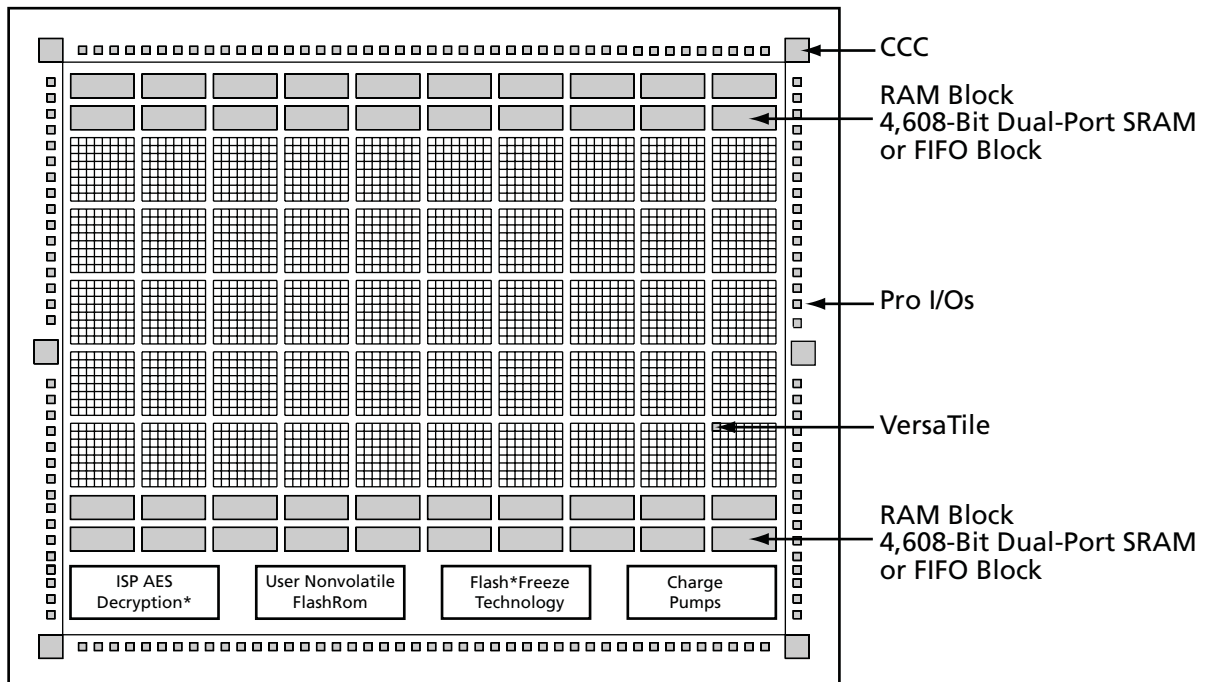


Figure 1-2 • Military ProASIC3EL Device Architecture Overview (A3PE600L and A3PE3000L)

Flash*Freeze Technology^{††}

Military ProASIC3EL devices offer Actel's proven Flash*Freeze technology, which enables designers to instantaneously shut off dynamic power consumption while retaining all SRAM and register information. Flash*Freeze technology enables the user to quickly (within 1 μ s) enter and exit Flash*Freeze mode by activating the Flash*Freeze (FF) pin while all power supplies are kept at their original values. In addition, I/Os and global I/Os can still be driven and can be toggling without impact on power consumption; clocks can still be driven or can be toggling without impact on power consumption; all core registers and SRAM cells retain their states. I/Os are tristated during Flash*Freeze mode or can be set to a certain state using weak pull-up or pull-down I/O attribute configuration. No power is consumed by the I/O banks, clocks, JTAG pins, or PLLs. Flash*Freeze technology allows the user to switch to active mode on demand, thus simplifying the power management of the device.

The FF pin (active low) can be routed internally to the core to allow the user's logic to decide when it is safe to transition to this mode. It is also possible to use the FF pin as a regular I/O if Flash*Freeze mode usage is not planned, which is advantageous because of the inherent low-power static and dynamic capabilities of the military ProASIC3EL device. Refer to [Figure 1-3](#) for an illustration of entering/exiting Flash*Freeze mode.

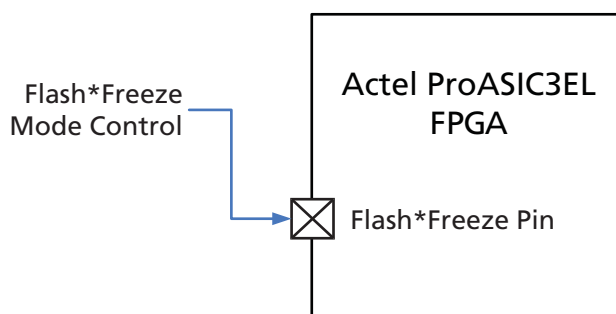


Figure 1-3 • Military ProASIC3EL Flash*Freeze Mode

VersaTiles

The military ProASIC3/EL core consists of VersaTiles, which have been enhanced beyond the ProASIC^{PLUS}® core tiles. The military ProASIC3/EL VersaTile supports the following:

- All 3-input logic functions—LUT-3 equivalent
- Latch with clear or set
- D-flip-flop with clear or set
- Enable D-flip-flop with clear or set

Refer to [Figure 1-4](#) for VersaTile configurations.

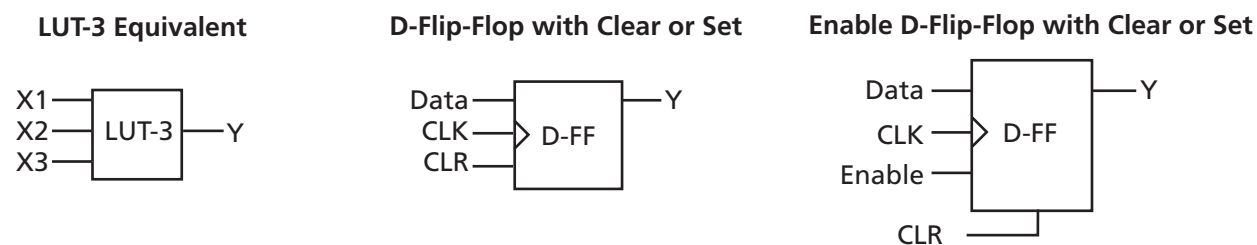


Figure 1-4 • VersaTile Configurations

^{††} Flash*Freeze technology is not supported for A3P1000.

User Nonvolatile FlashROM

Actel military ProASIC3/EL devices have 1 kbit of on-chip, user-accessible, nonvolatile FlashROM. The FlashROM can be used in diverse system applications:

- Internet protocol addressing (wireless or fixed)
- System calibration settings
- Device serialization and/or inventory control
- Subscription-based business models (for example, set-top boxes)
- Secure key storage for secure communications algorithms
- Asset management/tracking
- Date stamping
- Version management

FlashROM is written using the standard military ProASIC3/EL IEEE 1532 JTAG programming interface. The core can be individually programmed (erased and written), and on-chip AES decryption can be used selectively to securely load data over public networks, as in security keys stored in the FlashROM for a user design.

FlashROM can be programmed via the JTAG programming interface, and its contents can be read back either through the JTAG programming interface or via direct FPGA core addressing. Note that the FlashROM can only be programmed from the JTAG interface and cannot be programmed from the internal logic array.

FlashROM is programmed as 8 banks of 128 bits; however, reading is performed on a byte-by-byte basis using a synchronous interface. A 7-bit address from the FPGA core defines which of the 8 banks and which of the 16 bytes within that bank are being read. The three most significant bits (MSBs) of the FlashROM address determine the bank, and the four least significant bits (LSBs) of the FlashROM address define the byte.

The Actel military ProASIC3/EL development software solutions, Libero IDE and Designer, have extensive support for the FlashROM. One such feature is auto-generation of sequential programming files for applications requiring a unique serial number in each part. Another feature allows the inclusion of static data for system version control. Data for the FlashROM can be generated quickly and easily using Actel Libero IDE and Designer software tools. Comprehensive programming file support is also included to allow for easy programming of large numbers of parts with differing FlashROM contents.

SRAM and FIFO

Military ProASIC3/EL devices have embedded SRAM blocks along their north and south sides. Each variable-aspect-ratio SRAM block is 4,608 bits in size. Available memory configurations are 256×18, 512×9, 1k×4, 2k×2, and 4k×1 bits. The individual blocks have independent read and write ports that can be configured with different bit widths on each port. For example, data can be sent through a 4-bit port and read as a single bitstream. The embedded SRAM blocks can be initialized via the device JTAG port (ROM emulation mode) using the UJTAG macro.

In addition, every SRAM block has an embedded FIFO control unit. The control unit allows the SRAM block to be configured as a synchronous FIFO without using additional core VersaTiles. The FIFO width and depth are programmable. The FIFO also features programmable Almost Empty (AEMPTY) and Almost Full (AFULL) flags in addition to the normal Empty and Full flags. The embedded FIFO control unit contains the counters necessary for generation of the read and write address pointers. The embedded SRAM/FIFO blocks can be cascaded to create larger configurations.

PLL and CCC

Military ProASIC3 devices provide designers with flexible clock conditioning circuit (CCC) capabilities. Each member of the military ProASIC3 family contains six CCCs, located at the four corners and the centers of the east and west sides. One CCC (center west side) has a PLL. All six CCC blocks are usable; the four corner CCCs and the east CCC allow simple clock delay operations as well as clock spine access.

Military ProASIC3EL devices also contain six CCCs; however, all six are equipped with a PLL.

The inputs of the six CCC blocks are accessible from the FPGA core or from one of several inputs located near the CCC that have dedicated connections to the CCC block.

The CCC block has these key features:

- Wide input frequency range (f_{IN_CCC}) = 1.5 MHz up to 250 MHz
- Output frequency range (f_{OUT_CCC}) = 0.75 MHz up to 250 MHz
- 2 programmable delay types for clock skew minimization
- Clock frequency synthesis

Additional CCC specifications:

- Internal phase shift = 0°, 90°, 180°, and 270°. Output phase shift depends on the output divider configuration.
- Output duty cycle = 50% ± 1.5% or better
- Low output jitter: worst case < 2.5% × clock period peak-to-peak period jitter when single global network used
- Maximum acquisition time is 300 μs
- Exceptional tolerance to input period jitter—allowable input jitter is up to 1.5 ns
- Four precise phases; maximum misalignment between adjacent phases of 40 ps × 250 MHz / f_{OUT_CCC}

Global Clocking

Military ProASIC3/EL devices have extensive support for multiple clocking domains. In addition to the CCC and PLL support described above, there is a comprehensive global clock distribution network.

Each VersaTile input and output port has access to nine VersaNets: six chip (main) and three quadrant global networks. The VersaNets can be driven by the CCC or directly accessed from the core via multiplexers (MUXes). The VersaNets can be used to distribute low-skew clock signals or for rapid distribution of high-fanout nets.

I/Os with Advanced I/O Standards

The military ProASIC3/EL family of FPGAs features a flexible I/O structure, supporting a range of voltages (1.5 V, 1.8 V, 2.5 V, and 3.3 V). In addition, 1.2 V I/O operation is supported for military ProASIC3EL devices. Military ProASIC3/EL FPGAs support different I/O standards, including single-ended, differential, and voltage-referenced (military ProASIC3EL). The I/Os are organized into banks, with two, four, or eight (military ProASIC3EL only) banks per device. The configuration of these banks determines the I/O standards supported. For military ProASIC3EL, each I/O bank is subdivided into V_{REF} minibanks, which are used by voltage-referenced I/Os. V_{REF} minibanks contain 8 to 18 I/Os. All the I/Os in a given minibank share a common V_{REF} line. Therefore, if any I/O in a given V_{REF} minibank is configured as a V_{REF} pin, the remaining I/Os in that minibank will be able to use that reference voltage.

Each I/O module contains several input, output, and enable registers. These registers allow the implementation of the following:

- Single-data-rate applications (e.g., PCI 66 MHz, bidirectional SSTL 2 and 3, Class I and II)
- Double-data-Rate applications (e.g., DDR LVDS, B-LVDS, and M-LVDS I/Os for point-to-point communications, and DDR 200 MHz SRAM using bidirectional HSTL Class II).

Military ProASIC3EL banks support LVPECL, LVDS, B-LVDS, and M-LVDS. B-LVDS and M-LVDS can support up to 20 loads.

Part Number and Revision Date

Part Number 51700106-001-0

Revised August 2008

Datasheet Categories

Categories

In order to provide the latest information to designers, some datasheets are published before data has been fully characterized. Datasheets are designated as "Product Brief," "Advance," "Preliminary," and "Production." The definition of these categories are as follows:

Product Brief

The product brief is a summarized version of a datasheet (advance or production) and contains general product information. This document gives an overview of specific device and family information.

Advance

This version contains initial estimated information based on simulation, other products, devices, or speed grades. This information can be used as estimates, but not for production. This label only applies to the DC and Switching Characteristics chapter of the datasheet and will only be used when the data has not been fully characterized.

Preliminary

The datasheet contains information based on simulation and/or initial characterization. The information is believed to be correct, but changes are possible.

Unmarked (production)

This version contains information that is considered to be final.

Export Administration Regulations (EAR)

The products described in this document are subject to the Export Administration Regulations (EAR). They could require an approved export license prior to export from the United States. An export includes release of product or disclosure of technology to a foreign national inside or outside the United States.

Actel Safety Critical, Life Support, and High-Reliability Applications Policy

The Actel products described in this advance status document may not have completed Actel's qualification process. Actel may amend or enhance products during the product introduction and qualification process, resulting in changes in device functionality or performance. It is the responsibility of each customer to ensure the fitness of any Actel product (but especially a new product) for a particular purpose, including appropriateness for safety-critical, life-support, and other high-reliability applications. Consult Actel's Terms and Conditions for specific liability exclusions relating to life-support applications. A reliability report covering all of Actel's products is available on the Actel website at http://www.actel.com/documents/ORT_Report.pdf. Actel also offers a variety of enhanced qualification and lot acceptance screening procedures. Contact your local Actel sales office for additional reliability information.



2 – Military ProASIC3/EL DC and Switching Characteristics

General Specifications

Operating Conditions

Stresses beyond those listed in [Table 2-1](#) may cause permanent damage to the device.

Exposure to absolute maximum rating conditions for extended periods may affect device reliability. absolute maximum ratings are stress ratings only; functional operation of the device at these or any other conditions beyond those listed under the Recommended Operating Conditions specified in [Table 2-2 on page 2-2](#) is not implied.

Table 2-1 • Absolute Maximum Ratings

Symbol	Parameter	Limits	Units
V_{CC}	DC core supply voltage	-0.3 to 1.65	V
V_{JTAG}	JTAG DC voltage	-0.3 to 3.75	V
V_{PUMP}	Programming voltage	-0.3 to 3.75	V
V_{CCPLL}	Analog power supply (PLL)	-0.3 to 1.65	V
V_{CCI}	DC I/O output buffer supply voltage for A3PE600L and A3PE3000L. DC Output buffer supply voltage for A3P1000.	-0.3 to 3.75	V
V_I	I/O input voltage	-0.3 V to 3.6 V (when I/O hot insertion mode is enabled) -0.3 V to ($V_{CCI} + 1$ V) or 3.6 V, whichever voltage is lower (when I/O hot-insertion mode is disabled)	V
V_{MV}	DC input buffer supply voltage for A3P1000	-0.3 to 3.75	V
T_{STG}^2	Storage temperature	-65 to +150	°C
T_J^2	Junction temperature	+150	°C

Notes:

1. The device should be operated within the limits specified by the datasheet. During transitions, the input signal may undershoot or overshoot according to the limits shown in [Table 2-4 on page 2-7](#).
2. For flash programming and retention maximum limits, refer to [Table 2-3 on page 2-3](#), and for recommended operating limits, refer to [Table 2-2 on page 2-2](#).

Table 2-2 • Recommended Operating Conditions²

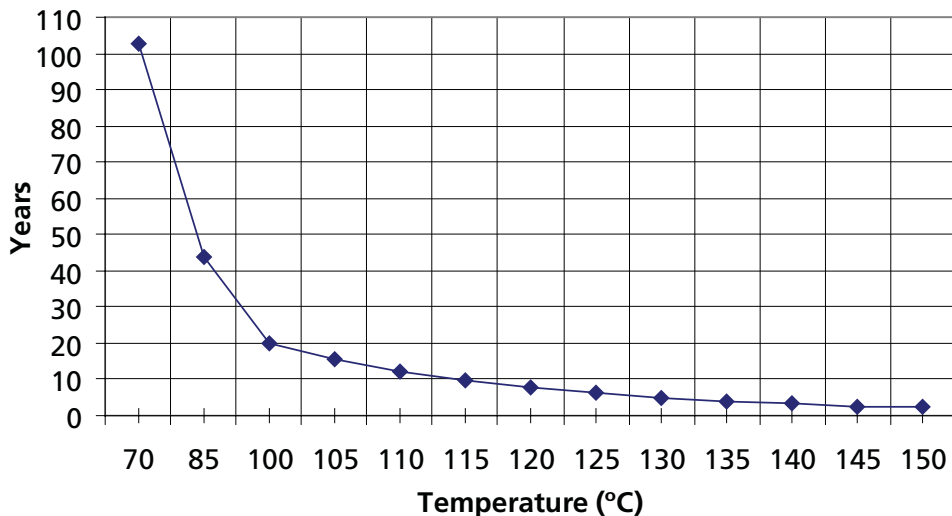
Symbol	Parameter		Military	Units
T _A	Ambient temperature		-55 to 125	°C
T _J	Junction temperature		-55 to 125	°C
V _{CC}	DC core supply voltage for A3PE600L/A3PE3000L		1.14 to 1.575	V
	DC core supply voltage for A3P1000 ¹		1.425 to 1.575	V
V _{JTAG}	JTAG DC voltage		1.4 to 3.6	V
V _{PUMP} ³	Programming voltage	Programming mode	3.15 to 3.45	V
		Operation ³	0 to 3.6	V
V _{CCPLL}	Analog power supply (PLL) for A3PE600L/A3PE3000L	DC core supply voltage	1.14 to 1.575	V
	Analog power supply (PLL) for A3P1000	DC core supply voltage	1.425 to 1.575	
V _{CCI} and VMV	1.2 V DC supply voltage ⁴		1.14 to 1.26	V
	1.5 V DC supply voltage		1.425 to 1.575	V
	1.8 V DC supply voltage		1.7 to 1.9	V
	2.5 V DC supply voltage		2.3 to 2.7	V
	3.3 V DC supply voltage		3.0 to 3.6	V
	LVDS differential I/O		2.375 to 2.625	V
	LVPECL differential I/O		3.0 to 3.6	V

Notes:

1. The ranges given here are for power supplies only. The recommended input voltage ranges specific to each I/O standard are given in [Table 2-23 on page 2-24](#). VMV and V_{CCI} should be at the same voltage within a given I/O bank.
2. All parameters representing voltages are measured with respect to GND unless otherwise specified.
3. V_{PUMP} can be left floating during normal operation (not programming mode).
4. For A3PE600L and A3PE3000L devices only.



T _j (°C)	HTR Lifetime (yrs)
70	102.7
85	43.8
100	20.0
105	15.6
110	12.3
115	9.7
120	7.7
125	6.2
130	5.0
135	4.0
140	3.3
145	2.7
150	2.2



Note: HTR time is the period during which you would not expect a verify failure due to flash cell leakage.

Figure 2-1 • High-Temperature Data Retention (HTR)

Table 2-3 • Overshoot and Undershoot Limits

V _{CCI} and VMV	Average V _{CCI} -GND Overshoot or Undershoot Duration as a Percentage of Clock Cycle	Maximum Overshoot/Undershoot (125°C)
2.7 V or less	10%	0.72 V
	5%	0.82 V
3 V	10%	0.72 V
	5%	0.81 V
3.3 V	10%	0.69 V
	5%	0.79 V
3.6 V	10%	N/A
	5%	N/A

Notes:

1. The duration is allowed at one out of six clock cycles. If the overshoot/undershoot occurs at one out of two cycles, the maximum overshoot/undershoot has to be reduced by 0.15 V.
2. This table does not provide PCI overshoot/undershoot limits.

I/O Power-Up and Supply Voltage Thresholds for Power-On Reset (Military)

Sophisticated power-up management circuitry is designed into every ProASIC[®]3 device. These circuits ensure easy transition from the powered-off state to the powered-up state of the device. The many different supplies can power up in any sequence with minimized current spikes or surges. In addition, the I/O will be in a known state through the power-up sequence. The basic principle is shown in [Figure 2-2 on page 2-5](#) and [Figure 2-3 on page 2-6](#).

There are five regions to consider during power-up.

Military ProASIC3 I/Os are activated only if ALL of the following three conditions are met:

1. V_{CC} and V_{CCI} are above the minimum specified trip points ([Figure 2-2 on page 2-5](#) and [Figure 2-3 on page 2-6](#)).
2. $V_{CCI} > V_{CC} - 0.75$ V (typical)
3. Chip is in the operating mode.

V_{CCI} Trip Point:

Ramping up: 0.6 V < trip_point_up < 1.2 V

Ramping down: 0.5 V < trip_point_down < 1.1 V

V_{CC} Trip Point:

Ramping up: 0.6 V < trip_point_up < 1.1 V

Ramping down: 0.5 V < trip_point_down < 1 V

V_{CC} and V_{CCI} ramp-up trip points are about 100 mV higher than ramp-down trip points. This specifically built-in hysteresis prevents undesirable power-up oscillations and current surges. Note the following:

- During programming, I/Os become tristated and weakly pulled up to V_{CCI} .
- JTAG supply, PLL power supplies, and charge pump V_{PUMP} supply have no influence on I/O behavior.

PLL Behavior at Brownout Condition

Actel recommends using monotonic power supplies or voltage regulators to ensure proper power-up behavior. Power ramp-up should be monotonic, at least until V_{CC} and V_{CCPLX} exceed brownout activation levels. The V_{CC} activation level is specified as 1.1 V worst-case (see Figure 2-2 and Figure 2-3 on page 2-6 for more details).

When PLL power supply voltage and/or V_{CC} levels drop below the V_{CC} brownout levels ($0.75\text{ V} \pm 0.25\text{ V}$), the PLL output lock signal goes low and/or the output clock is lost. Refer to the *Power-Up/Down Behavior of Low-Power Flash Devices* chapter of the handbook for information on clock and lock recovery.

Internal Power-Up Activation Sequence

1. Core
2. Input buffers

Output buffers, after 200 ns delay from input buffer activation.

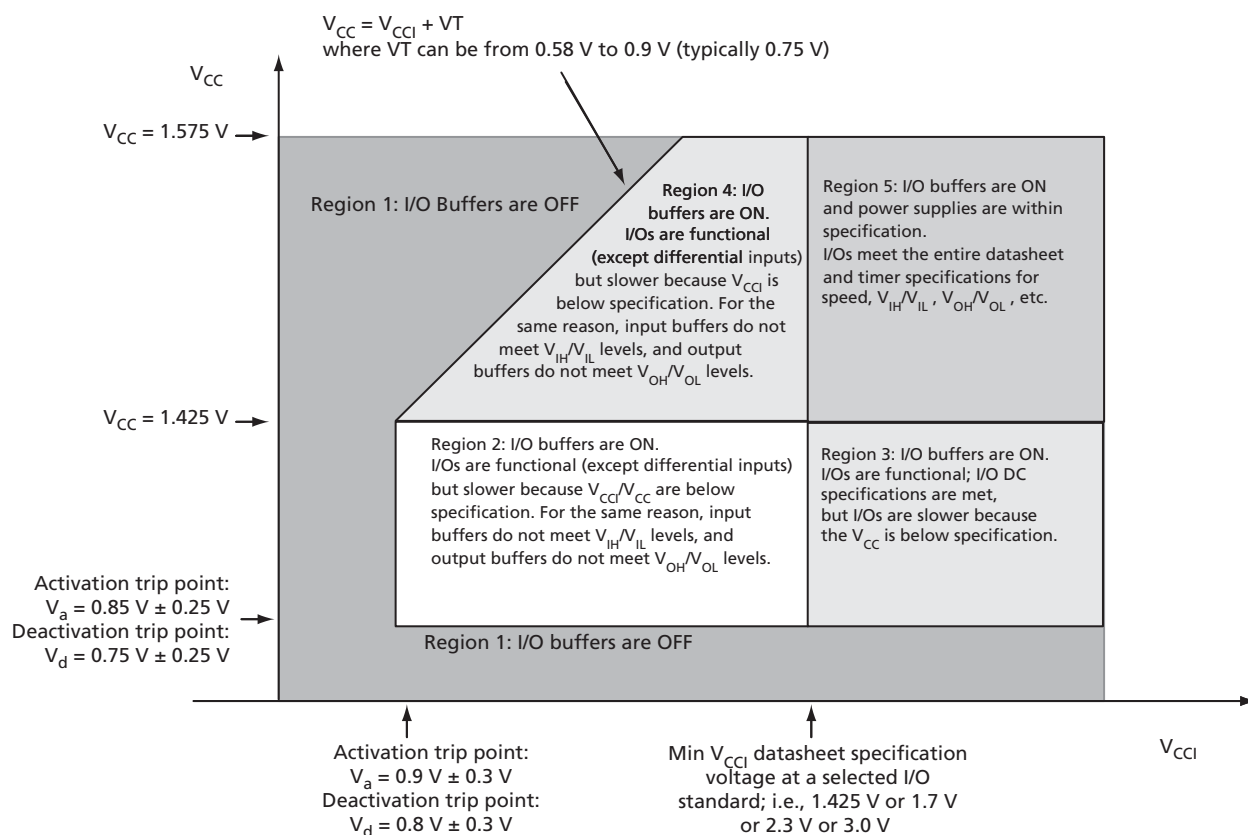


Figure 2-2 • Devices Operating at 1.5 V Core – I/O State as a Function of V_{CCI} and V_{CC} Voltage Levels

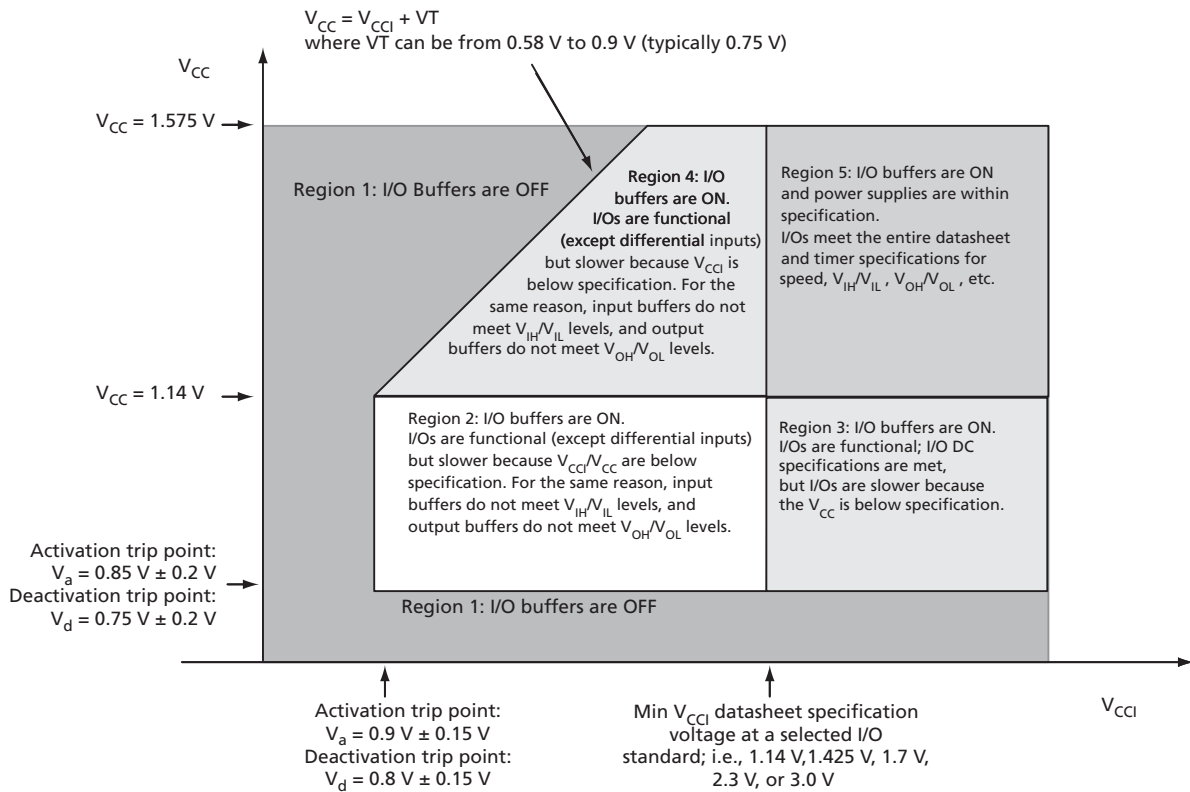


Figure 2-3 • Device Operating at 1.2 V Core Voltage – I/O State as a Function of V_{CCI} and V_{CC} Voltage Levels; Only A3PE600L and A3PE3000L Devices Operate at 1.2 V Core Voltage

Thermal Characteristics

Introduction

The temperature variable in the Actel Designer software refers to the junction temperature, not the ambient temperature. This is an important distinction because dynamic and static power consumption cause the chip junction temperature to be higher than the ambient temperature.

EQ 2-1 can be used to calculate junction temperature.

$$T_J = \text{Junction Temperature} = \Delta T + T_A$$

EQ 2-1

where:

T_A = Ambient Temperature

ΔT = Temperature gradient between junction (silicon) and ambient $\Delta T = \theta_{ja} * P$

θ_{ja} = Junction-to-ambient of the package. θ_{ja} numbers are located in Table 2-4.

P = Power dissipation

Package Thermal Characteristics

The device junction-to-case thermal resistivity is θ_{jc} and the junction-to-ambient air thermal resistivity is θ_{ja} . The thermal characteristics for θ_{ja} are shown for two air flow rates. The recommended maximum junction temperature is 125°C. EQ 2-2 shows a sample calculation of the recommended maximum power dissipation allowed for a 484-pin FBGA package at military temperature and in still air.

$$\text{Maximum Power Allowed} = \frac{\text{Max. junction temp. (}^\circ\text{C)} - \text{Max. ambient temp. (}^\circ\text{C)}}{\theta_{ja} (\text{}^\circ\text{C/W)}} = \frac{125^\circ\text{C} - 70^\circ\text{C}}{20.6^\circ\text{C/W}} = 2.670$$

EQ 2-2

Table 2-4 • Package Thermal Resistivities

Package Type	Device	Pin Count	θ_{jc}	θ_{ja}			Units
				Still Air	200 ft./min.	500 ft./min.	
Plastic Quad Flat Pack (PQ208)*	A3P1000	208	3.8	16.2	13.3	11.9	C/W
Fine Pitch Ball Grid Array (FBGA)	A3P1000	144	6.3	31.6	26.2	24.2	C/W
	A3PE600L	484	9.5	27.5	21.9	20.2	C/W
	A3PE3000L	484	4.7	20.6	15.7	14.0	C/W
	A3PE3000L	896	2.4	13.6	10.4	9.4	C/W

* Embedded heatspreader

Temperature and Voltage Derating Factors

Table 2-5 • Temperature and Voltage Derating Factors for Timing Delays
 (normalized to $T_J = 125^\circ\text{C}$, $V_{CC} = 1.14\text{ V}$)
 Applicable to A3PE600L and A3PE3000L Only

Array Voltage V_{CC} (V)	Junction Temperature						
	-55°C	-40°C	0°C	25°C	70°C	85°C	125°C
1.14	0.86	0.87	0.90	0.92	0.96	0.98	1.00
1.2	0.83	0.84	0.87	0.89	0.93	0.94	0.96
1.26	0.79	0.80	0.83	0.85	0.89	0.90	0.92
1.3	0.77	0.78	0.81	0.83	0.86	0.88	0.90
1.35	0.75	0.75	0.78	0.80	0.83	0.85	0.87
1.4	0.72	0.73	0.75	0.77	0.80	0.81	0.83
1.425	0.70	0.71	0.74	0.76	0.79	0.80	0.82
1.5	0.67	0.67	0.70	0.71	0.75	0.76	0.78
1.575	0.64	0.65	0.67	0.69	0.72	0.73	0.75

Table 2-6 • Temperature and Voltage Derating Factors for Timing Delays
 (normalized to $T_J = 125^\circ\text{C}$, $V_{CC} = 1.425\text{ V}$)
 Applicable to A3P1000 Devices Only

Array Voltage V_{CC} (V)	Junction Temperature						
	-55°C	-40°C	0°C	25°C	70°C	85°C	125°C
1.425	0.81	0.83	0.88	0.90	0.95	0.97	1.00
1.5	0.77	0.79	0.83	0.85	0.90	0.92	0.95
1.575	0.74	0.76	0.80	0.82	0.87	0.88	0.92

Calculating Power Dissipation

Quiescent Supply Current

Table 2-7 • Quiescent Supply Current (I_{DD}) Characteristics When Using Flash*Freeze Mode in Military ProASIC3/EL*

	Core Voltage	A3PE600L	A3PE3000L	Units
Typical (25°C)	1.2 V		2.75	mA
	1.5 V			mA

* I_{DD} includes V_{CC} , V_{PUMP} , V_{CCI} , V_{JTAG} , and V_{CCPLL} currents. Values do not include I/O static contribution (P_{DC6} and P_{DC7}).

Table 2-8 • Quiescent Supply Current (I_{DD}) Characteristics, Military ProASIC3/EL Sleep Mode ($V_{CC} = 0$ V)*

	Core Voltage	A3PE600L	A3PE3000L	Units
$V_{CCI} / V_{JTAG} = 1.2$ V (per bank) Typical (25°C)	1.2 V / 1.5 V	1.7	1.7	μ A
$V_{CCI} / V_{JTAG} = 1.5$ V (per bank) Typical (25°C)	1.2 V / 1.5 V	1.8	1.8	μ A
$V_{CCI} / V_{JTAG} = 1.8$ V (per bank) Typical (25°C)	1.2 V / 1.5 V	1.9	1.9	μ A
$V_{CCI} / V_{JTAG} = 2.5$ V (per bank) Typical (25°C)	1.2 V / 1.5 V	2.2	2.2	μ A
$V_{CCI} / V_{JTAG} = 3.3$ V (per bank) Typical (25°C)	1.2 V / 1.5 V	2.5	2.5	μ A

* I_{DD} includes V_{CC} , V_{PUMP} , and V_{CCPLL} currents. Values do not include I/O static contribution (P_{DC6} and P_{DC7}).

Table 2-9 • Quiescent Supply Current (I_{DD}) Characteristics for A3PE600L and A3PE3000L Devices Only Shutdown Mode, (V_{CC} and $V_{CCI} = 0$ V)*

	Core Voltage	A3PE600L	A3PE3000L
Typical (25°C)	1.2 V	0 μ A	

* I_{DD} includes V_{CC} , V_{PUMP} , V_{CCI} , V_{JTAG} , and V_{CCPLL} currents. Values do not include I/O static contribution (P_{DC6} and P_{DC7}).

Table 2-10 • Quiescent Supply Current (I_{DD}), No Military ProASIC3/EL Flash*Freeze Mode¹

	Core Voltage	A3PE600L	A3PE3000L	Units
I_{CCA} Current²				
Typical (25°C)	1.2 V		2.75	mA
	1.5 V			mA
I_{CCI} or I_{JTAG} Current^{3, 4}				
$V_{CCI} / V_{JTAG} = 1.2$ V (per bank) Typical (25°C)	1.2 V / 1.5 V	1.7	1.7	μA
$V_{CCI} / V_{JTAG} = 1.5$ V (per bank) Typical (25°C)	1.2 V / 1.5 V	1.8	1.8	μA
$V_{CCI} / V_{JTAG} = 1.8$ V (per bank) Typical (25°C)	1.2 V / 1.5 V	1.9	1.9	μA
$V_{CCI} / V_{JTAG} = 2.5$ V (per bank) Typical (25°C)	1.2 V / 1.5 V	2.2	2.2	μA
$V_{CCI} / V_{JTAG} = 3.3$ V (per bank) Typical (25°C)	1.2 V / 1.5 V	2.5	2.5	μA

Notes:

1. To calculate total device I_{DD} , multiply the number of banks used by I_{CCI} and add I_{CCA} contribution.
2. Includes V_{CC} , V_{CCPLL} , and V_{PUMP} currents.
3. Per V_{CCI} or V_{JTAG} bank.
4. Values do not include I/O static contribution (P_{DC6} and P_{DC7}).

Table 2-11 • Quiescent Supply Current (I_{DD}) Characteristics

	A3P1000
Typical (25°C)	8 mA
Maximum Military (125°C)	200 mA

* I_{DD} includes V_{CC} , V_{PUMP} , V_{CCI} , V_{JTAG} , and V_{CCPLL} currents. Values do not include I/O static contribution (P_{DC6} and P_{DC7}).



Power per I/O Pin

**Table 2-12 • Summary of I/O Input Buffer Power (Per Pin) – Default I/O Software Settings
Applicable to Pro I/Os for A3PE600L and A3PE3000L Only**

	V_{CC1} (V)	Static Power P_{DC6} (mW) ¹	Dynamic Power P_{AC9} (μ W/MHz) ²
Single-Ended			
3.3 V LVTTTL/LVCMOS	3.3	–	16.34
3.3 V LVTTTL/LVCMOS – Schmitt trigger	3.3	–	24.49
2.5 V LVCMOS	2.5	–	4.71
2.5 V LVCMOS – Schmitt trigger	2.5	–	6.13
1.8 V LVCMOS	1.8	–	1.66
1.8 V LVCMOS – Schmitt trigger	1.8	–	1.78
1.5 V LVCMOS (JESD8-11)	1.5	–	1.01
1.5 V LVCMOS (JESD8-11) – Schmitt trigger	1.5	–	0.97
1.2 V LVCMOS ³	1.2	–	0.60
1.2 V LVCMOS (JESD8-11) – Schmitt trigger ³	1.2	–	0.53
3.3 V PCI	3.3	–	17.76
3.3 V PCI – Schmitt trigger	3.3	–	19.10
3.3 V PCI-X	3.3	–	17.76
3.3 V PCI-X – Schmitt trigger	3.3	–	19.10
Voltage-Referenced			
3.3 V GTL	3.3	2.90	7.07
2.5 V GTL	2.5	2.13	3.62
3.3 V GTL+	3.3	2.81	2.97
2.5 V GTL+	2.5	2.57	2.55
HSTL (I)	1.5	0.17	0.85
HSTL (II)	1.5	0.17	0.85
SSTL2 (I)	2.5	1.38	3.30
SSTL2 (II)	2.5	1.38	3.30
SSTL3 (I)	3.3	3.21	8.08
SSTL3 (II)	3.3	3.21	8.08
Differential			
LVDS	2.5	2.26	0.95
LVPECL	3.3	5.71	1.62

Notes:

1. P_{DC6} is the static power (where applicable) measured on V_{CC1} .
2. P_{AC9} is the total dynamic power measured on V_{CC1} .

**Table 2-13 • Summary of I/O Input Buffer Power (per pin) – Default I/O Software Settings¹
Applicable to Advanced I/O Banks for A3P1000 Only**

	VMV (V)	Static Power P_{DC6} (mW) ²	Dynamic Power P_{AC9} (μ W/MHz) ³
Single-Ended			
3.3 V LVTTTL / 3.3 V LVCMOS	3.3	–	16.69
2.5 V LVCMOS	2.5	–	5.12
1.8 V LVCMOS	1.8	–	2.13
1.5 V LVCMOS (JESD8-11)	1.5	–	1.45
3.3 V PCI	3.3	–	18.11
3.3 V PCI-X	3.3	–	18.11
Differential			
LVDS	2.5	2.26	1.20
LVPECL	3.3	5.72	1.87

Notes:

1. P_{DC6} is the static power (where applicable) measured on VMV.
2. P_{AC9} is the total dynamic power measured on VMV.

**Table 2-14 • Summary of I/O Input Buffer Power (per pin) – Default I/O Software Settings
Applicable to Standard Plus I/O Banks for A3P1000 Only**

	VMV (V)	Static Power P_{DC6} (mW) ¹	Dynamic Power P_{AC9} (μ W/MHz) ²
Single-Ended			
3.3 V LVTTTL / 3.3 V LVCMOS	3.3	–	16.72
2.5 V LVCMOS	2.5	–	5.14
1.8 V LVCMOS	1.8	–	2.13
1.5 V LVCMOS (JESD8-11)	1.5	–	1.48
1.2 V LVCMOS	3.3	–	18.13
3.3 V PCI	3.3	–	18.13
3.3 V PCI-X	3.3	–	16.72

Notes:

1. P_{DC6} is the static power (where applicable) measured on VMV.
2. P_{AC9} is the total dynamic power measured on VMV.



Table 2-15 • Summary of I/O Output Buffer Power (per pin) – Default I/O Software Settings¹
Applicable to Pro I/Os for A3PE600L and A3PE3000L Only

	C_{LOAD} (pF)	V_{CCI} (V)	Static Power P_{DC7} (mW) ²	Dynamic Power P_{AC10} (μ W/MHz) ³
Single-Ended				
3.3 V LVTTTL/LVCMOS	5	3.3	–	148.00
2.5 V LVCMOS	5	2.5	–	83.23
1.8 V LVCMOS	5	1.8	–	54.58
1.5 V LVCMOS (JESD8-11)	5	1.5	–	37.05
1.2 V LVCMOS ⁴	5	1.2	–	17.94
3.3 V PCI	10	3.3	–	204.61
3.3 V PCI-X	10	3.3	–	204.61
Voltage-Referenced				
3.3 V GTL	10	3.3	–	24.08
2.5 V GTL	10	2.5	–	13.52
3.3 V GTL+	10	3.3	–	24.10
2.5 V GTL+	10	2.5	–	13.54
HSTL (I)	20	1.5	7.08	26.22
HSTL (II)	20	1.5	13.88	27.22
SSTL2 (I)	30	2.5	16.69	105.56
SSTL2 (II)	30	2.5	25.91	116.60
SSTL3 (I)	30	3.3	26.02	114.87
SSTL3 (II)	30	3.3	42.21	131.76
Differential				
LVDS	–	2.5	7.70	89.62
LVPECL	–	3.3	19.42	168.02

Notes:

1. Dynamic power consumption is given for standard load and software default drive strength and output slew.
2. P_{DC7} is the static power (where applicable) measured on V_{CCI} .
3. P_{AC10} is the total dynamic power measured on V_{CCI} .

**Table 2-16 • Summary of I/O Output Buffer Power (per pin) – Default I/O Software Settings¹
Applicable to Advanced I/O Banks for A3P1000 Only**

	C_{LOAD} (pF)	V_{CC1} (V)	Static Power P_{DC7} (mW) ²	Dynamic Power P_{AC10} (μ W/MHz) ³
Single-Ended				
3.3 V LVTTTL / 3.3 V LVCMOS	5	3.3	–	141.97
2.5 V LVCMOS	5	2.5	–	79.98
1.8 V LVCMOS	5	1.8	–	52.26
1.5 V LVCMOS (JESD8-11)	5	1.5	–	35.62
3.3 V PCI	10	3.3	–	201.02
3.3 V PCI-X	10	3.3	–	201.02
Differential				
LVDS	–	2.5	7.74	89.71
LVPECL	–	3.3	19.54	167.54

Notes:

1. Dynamic power consumption is given for standard load and software default drive strength and output slew.
2. P_{DC7} is the static power (where applicable) measured on V_{CC1} .
3. P_{AC10} is the total dynamic power measured on V_{CC1} .

**Table 2-17 • Summary of I/O Output Buffer Power (per pin) – Default I/O Software Settings
Applicable to Standard Plus I/O Banks for A3P1000 Only**

	C_{LOAD} (pF)	V_{CC1} (V)	Static Power P_{DC7} (mW) ²	Dynamic Power P_{AC10} (μ W/MHz) ³
Single-Ended				
3.3 V LVTTTL / 3.3 V LVCMOS	5	3.3	–	125.97
2.5 V LVCMOS	5	2.5	–	70.82
1.8 V LVCMOS	5	1.8	–	36.39
1.5 V LVCMOS (JESD8-11)	5	1.5	–	25.34
3.3 V PCI	10	3.3	–	184.92
3.3 V PCI-X	10	3.3	–	184.92

Notes:

1. Dynamic power consumption is given for standard load and software default drive strength and output slew.
2. P_{DC7} is the static power (where applicable) measured on V_{CC1} .
3. P_{AC10} is the total dynamic power measured on V_{CC1} .



Power Consumption of Various Internal Resources

Table 2-18 • Different Components Contributing to Dynamic Power Consumption in Devices Operating at 1.2 V V_{CC}

Parameter	Definition	Device-Specific Dynamic Power ($\mu\text{W}/\text{MHz}$)	
		A3PE3000L	A3PE600L
P _{AC1}	Clock contribution of a Global Rib	12.61	
P _{AC2}	Clock contribution of a Global Spine	2.66	
P _{AC3}	Clock contribution of a VersaTile row	0.56	
P _{AC4}	Clock contribution of a VersaTile used as a sequential module	0.07	
P _{AC5}	First contribution of a VersaTile used as a sequential module	0.05	
P _{AC6}	Second contribution of a VersaTile used as a sequential module	0.19	
P _{AC7}	Contribution of a VersaTile used as a combinatorial module	0.11	
P _{AC8}	Average contribution of a routing net	0.45	
P _{AC9}	Contribution of an I/O input pin (standard-dependent)	See Table 2-12 on page 2-11 through Table 2-14 on page 2-12.	
P _{AC10}	Contribution of an I/O output pin (standard-dependent)	See Table 2-15 on page 2-13 through Table 2-17 on page 2-14.	
P _{AC11}	Average contribution of a RAM block during a read operation	25.00	
P _{AC12}	Average contribution of a RAM block during a write operation	30.00	
P _{AC13}	Dynamic contribution for PLL	1.74	

Table 2-19 • Different Components Contributing to Dynamic Power Consumption in Military ProASIC3/EL Devices at 1.5 V V_{CC}

Parameter	Definition	Device-Specific Dynamic Power (μW/MHz)		
		A3PE3000L	A3PE600L	A3P1000
P _{AC1}	Clock contribution of a Global Rib	19.7		14.50
P _{AC2}	Clock contribution of a Global Spine	4.16		2.48
P _{AC3}	Clock contribution of a VersaTile row	0.88		0.81
P _{AC4}	Clock contribution of a VersaTile used as a sequential module	0.12		
P _{AC5}	First contribution of a VersaTile used as a sequential module	0.07		
P _{AC6}	Second contribution of a VersaTile used as a sequential module	0.29		
P _{AC7}	Contribution of a VersaTile used as a combinatorial Module	0.29		
P _{AC8}	Average contribution of a routing net	0.70		
P _{AC9}	Contribution of an I/O input pin (standard-dependent)	See Table 2-12 on page 2-11 through Table 2-14 on page 2-12.		
P _{AC10}	Contribution of an I/O output pin (standard-dependent)	See Table 2-15 on page 2-13 through Table 2-17 on page 2-14.		
P _{AC11}	Average contribution of a RAM block during a read operation	25.00		
P _{AC12}	Average contribution of a RAM block during a write operation	30.00		
P _{AC13}	Dynamic contribution for PLL	2.60		

Table 2-20 • Different Components Contributing to the Static Power Consumption in Military ProASIC3/EL Devices

Parameter	Definition	Device-Specific Dynamic Power (μW)		
		A3PE3000L	A3PE600L	A3P1000
P _{DC1}	Array static power in Active mode	See Table 2-10 on page 2-10.		
P _{DC2}	Array static power in Static (Idle) mode	See Table 2-10 on page 2-10.		
P _{DC3}	Array static power in Flash*Freeze mode	See Table 2-7 on page 2-9.		
P _{DC4}	Static PLL contribution at 1.2 V operating core voltage (for A3PE600L and A3PE3000L only)	1.42 mW		N/A
	Static PLL contribution 1.5 V operating core voltage	2.55 mW		
P _{DC5}	Bank quiescent power (V _{CC1} -dependent)	See Table 2-7 on page 2-9, Table 2-8 on page 2-9, Table 2-10 on page 2-10.		
P _{DC6}	I/O input pin static power (standard-dependent)	See Table 2-12 on page 2-11. through Table 2-14 on page 2-12.		
P _{DC7}	I/O output pin static power (standard-dependent)	See Table 2-15 on page 2-13 through Table 2-17 on page 2-14.		

* For a different output load, drive strength, or slew rate, Actel recommends using the Actel power spreadsheet calculator or SmartPower tool in Libero® Integrated Design Environment (IDE).



Power Calculation Methodology

This section describes a simplified method to estimate power consumption of an application. For more accurate and detailed power estimations, use the SmartPower tool in Actel Libero IDE software.

The power calculation methodology described below uses the following variables:

- The number of PLLs as well as the number and the frequency of each output clock generated
- The number of combinatorial and sequential cells used in the design
- The internal clock frequencies
- The number and the standard of I/O pins used in the design
- The number of RAM blocks used in the design
- Toggle rates of I/O pins as well as VersaTiles—guidelines are provided in [Table 2-21 on page 2-19](#).
- Enable rates of output buffers—guidelines are provided for typical applications in [Table 2-22 on page 2-19](#).
- Read rate and write rate to the memory—guidelines are provided for typical applications in [Table 2-22 on page 2-19](#). The calculation should be repeated for each clock domain defined in the design.

Methodology

Total Power Consumption— P_{TOTAL}

$$P_{TOTAL} = P_{STAT} + P_{DYN}$$

P_{STAT} is the total static power consumption.

P_{DYN} is the total dynamic power consumption.

Total Static Power Consumption— P_{STAT}

$$P_{STAT} = (P_{DC1} \text{ or } P_{DC2} \text{ or } P_{DC3}) + N_{BANKS} * P_{DC5} + N_{INPUTS} * P_{DC6} + N_{OUTPUTS} * P_{DC7}$$

N_{INPUTS} is the number of I/O input buffers used in the design.

$N_{OUTPUTS}$ is the number of I/O output buffers used in the design.

N_{BANKS} is the number of I/O banks powered in the design.

Total Dynamic Power Consumption— P_{DYN}

$$P_{DYN} = P_{CLOCK} + P_{S-CELL} + P_{C-CELL} + P_{NET} + P_{INPUTS} + P_{OUTPUTS} + P_{MEMORY} + P_{PLL}$$

Global Clock Contribution— P_{CLOCK}

$$P_{CLOCK} = (P_{AC1} + N_{SPINE} * P_{AC2} + N_{ROW} * P_{AC3} + N_{S-CELL} * P_{AC4}) * F_{CLK}$$

N_{SPINE} is the number of global spines used in the user design—guidelines are provided in [Table 2-21 on page 2-19](#).

N_{ROW} is the number of VersaTile rows used in the design—guidelines are provided in [Table 2-21 on page 2-19](#).

F_{CLK} is the global clock signal frequency.

N_{S-CELL} is the number of VersaTiles used as sequential modules in the design.

P_{AC1} , P_{AC2} , P_{AC3} , and P_{AC4} are device-dependent.

Sequential Cells Contribution— P_{S-CELL}

$$P_{S-CELL} = N_{S-CELL} * (P_{AC5} + \alpha_1 / 2 * P_{AC6}) * F_{CLK}$$

N_{S-CELL} is the number of VersaTiles used as sequential modules in the design. When a multi-tile sequential cell is used, it should be accounted for as 1.

α_1 is the toggle rate of VersaTile outputs—guidelines are provided in [Table 2-21 on page 2-19](#).

F_{CLK} is the global clock signal frequency.

Combinatorial Cells Contribution— P_{C-CELL}

$$P_{C-CELL} = N_{C-CELL} * \alpha_1 / 2 * P_{AC7} * F_{CLK}$$

N_{C-CELL} is the number of VersaTiles used as combinatorial modules in the design.

α_1 is the toggle rate of VersaTile outputs—guidelines are provided in [Table 2-21 on page 2-19](#).

F_{CLK} is the global clock signal frequency.

Routing Net Contribution— P_{NET}

$$P_{NET} = (N_{S-CELL} + N_{C-CELL}) * \alpha_1 / 2 * P_{AC8} * F_{CLK}$$

N_{S-CELL} is the number of VersaTiles used as sequential modules in the design.

N_{C-CELL} is the number of VersaTiles used as combinatorial modules in the design.

α_1 is the toggle rate of VersaTile outputs—guidelines are provided in [Table 2-21 on page 2-19](#).

F_{CLK} is the global clock signal frequency.

I/O Input Buffer Contribution— P_{INPUTS}

$$P_{INPUTS} = N_{INPUTS} * \alpha_2 / 2 * P_{AC9} * F_{CLK}$$

N_{INPUTS} is the number of I/O input buffers used in the design.

α_2 is the I/O buffer toggle rate—guidelines are provided in [Table 2-21 on page 2-19](#).

F_{CLK} is the global clock signal frequency.

I/O Output Buffer Contribution— $P_{OUTPUTS}$

$$P_{OUTPUTS} = N_{OUTPUTS} * \alpha_2 / 2 * \beta_1 * P_{AC10} * F_{CLK}$$

$N_{OUTPUTS}$ is the number of I/O output buffers used in the design.

α_2 is the I/O buffer toggle rate—guidelines are provided in [Table 2-21 on page 2-19](#).

β_1 is the I/O buffer enable rate—guidelines are provided in [Table 2-22 on page 2-19](#).

F_{CLK} is the global clock signal frequency.

RAM Contribution— P_{MEMORY}

$$P_{MEMORY} = P_{AC11} * N_{BLOCKS} * F_{READ-CLOCK} * \beta_2 + P_{AC12} * N_{BLOCK} * F_{WRITE-CLOCK} * \beta_3$$

N_{BLOCKS} is the number of RAM blocks used in the design.

$F_{READ-CLOCK}$ is the memory read clock frequency.

β_2 is the RAM enable rate for read operations.

$F_{WRITE-CLOCK}$ is the memory write clock frequency.

β_3 is the RAM enable rate for write operations—guidelines are provided in [Table 2-22 on page 2-19](#).

PLL Contribution— P_{PLL}

$$P_{PLL} = P_{DC4} + P_{AC13} * F_{CLKOUT}$$

F_{CLKOUT} is the output clock frequency.¹

1. If a PLL is used to generate more than one output clock, include each output clock in the formula by adding its corresponding contribution ($P_{AC13} * F_{CLKOUT}$ product) to the total PLL contribution.

Guidelines

Toggle Rate Definition

A toggle rate defines the frequency of a net or logic element relative to a clock. It is a percentage. If the toggle rate of a net is 100%, this means that this net switches at half the clock frequency. Below are some examples:

- The average toggle rate of a shift register is 100% because all flip-flop outputs toggle at half of the clock frequency.
- The average toggle rate of an 8-bit counter is 25%:
 - Bit 0 (LSB) = 100%
 - Bit 1 = 50%
 - Bit 2 = 25%
 - ...
 - Bit 7 (MSB) = 0.78125%
 - Average toggle rate = $(100\% + 50\% + 25\% + 12.5\% + \dots + 0.78125\%) / 8$

Enable Rate Definition

Output enable rate is the average percentage of time during which tristate outputs are enabled. When nontristate output buffers are used, the enable rate should be 100%.

Table 2-21 • Toggle Rate Guidelines Recommended for Power Calculation

Component	Definition	Guideline
α_1	Toggle rate of VersaTile outputs	10%
α_2	I/O buffer toggle rate	10%

Table 2-22 • Enable Rate Guidelines Recommended for Power Calculation

Component	Definition	Guideline
β_1	I/O output buffer enable rate	100%
β_2	RAM enable rate for read operations	12.5%
β_3	RAM enable rate for write operations	12.5%

User I/O Characteristics

Timing Model

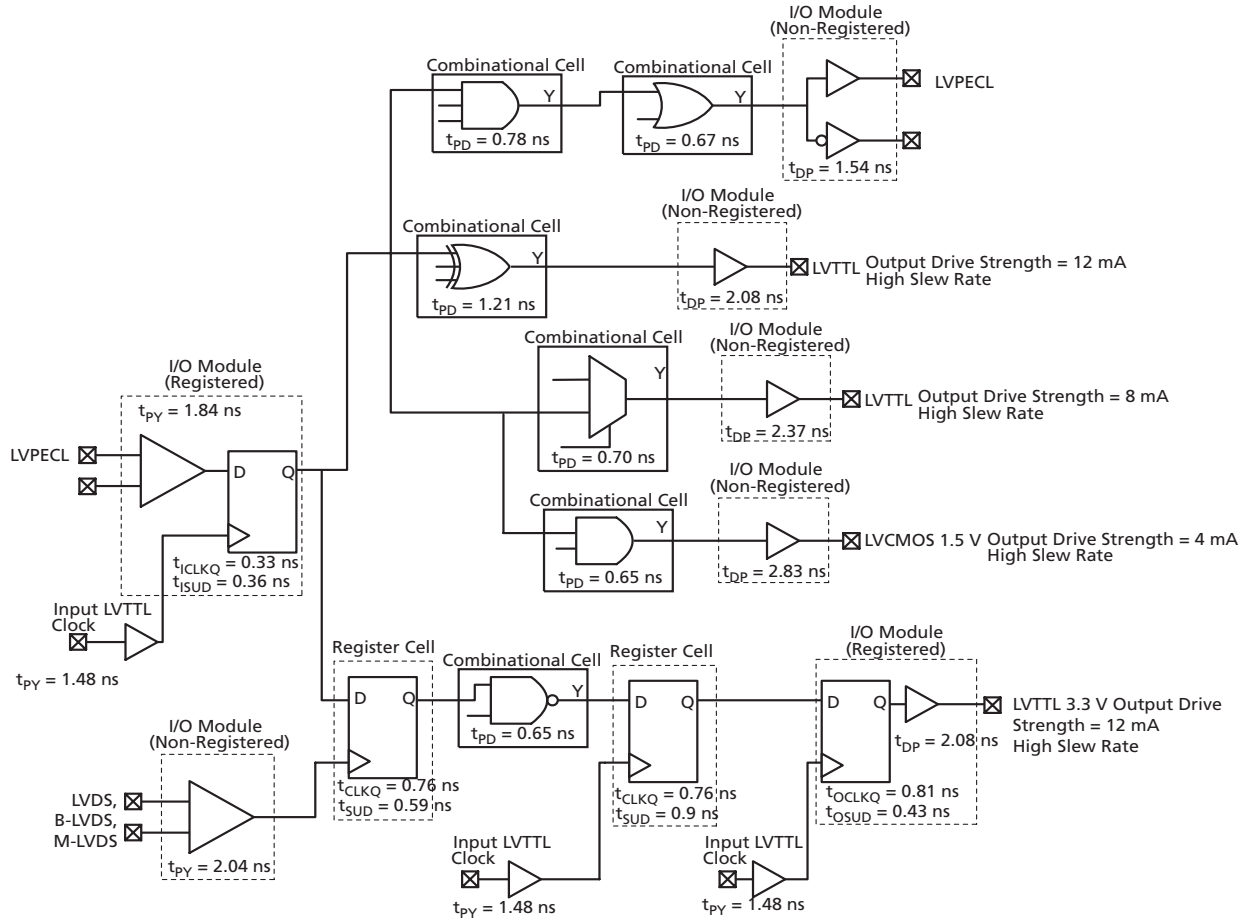


Figure 2-4 • Timing Model
 Operating Conditions: -1 Speed, Military Temperature Range ($T_J = 125^\circ\text{C}$), Worst-Case
 $V_{CC} = 1.14$ V (example for A3PE3000L and A3PE600L)

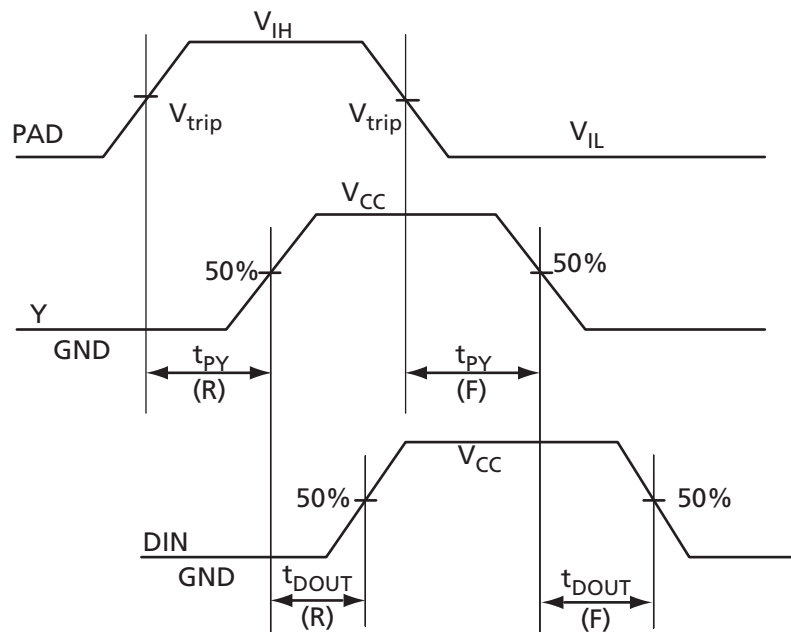
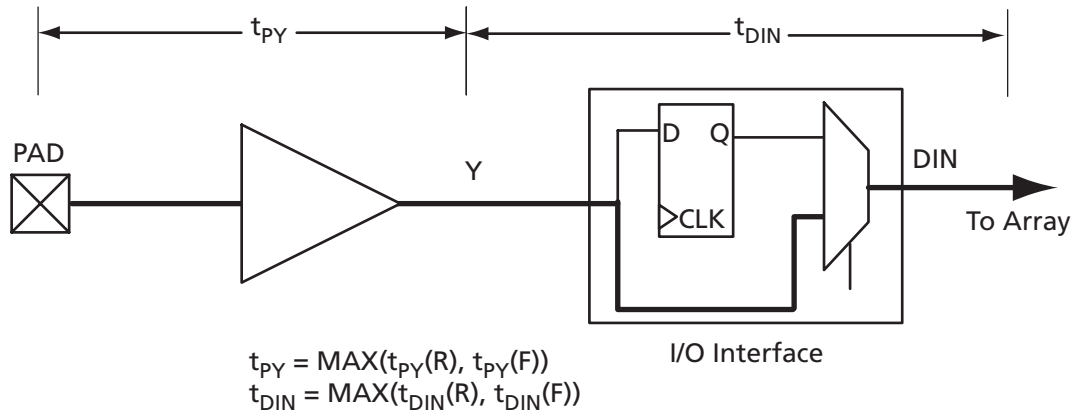


Figure 2-5 • Input Buffer Timing Model and Delays (example)

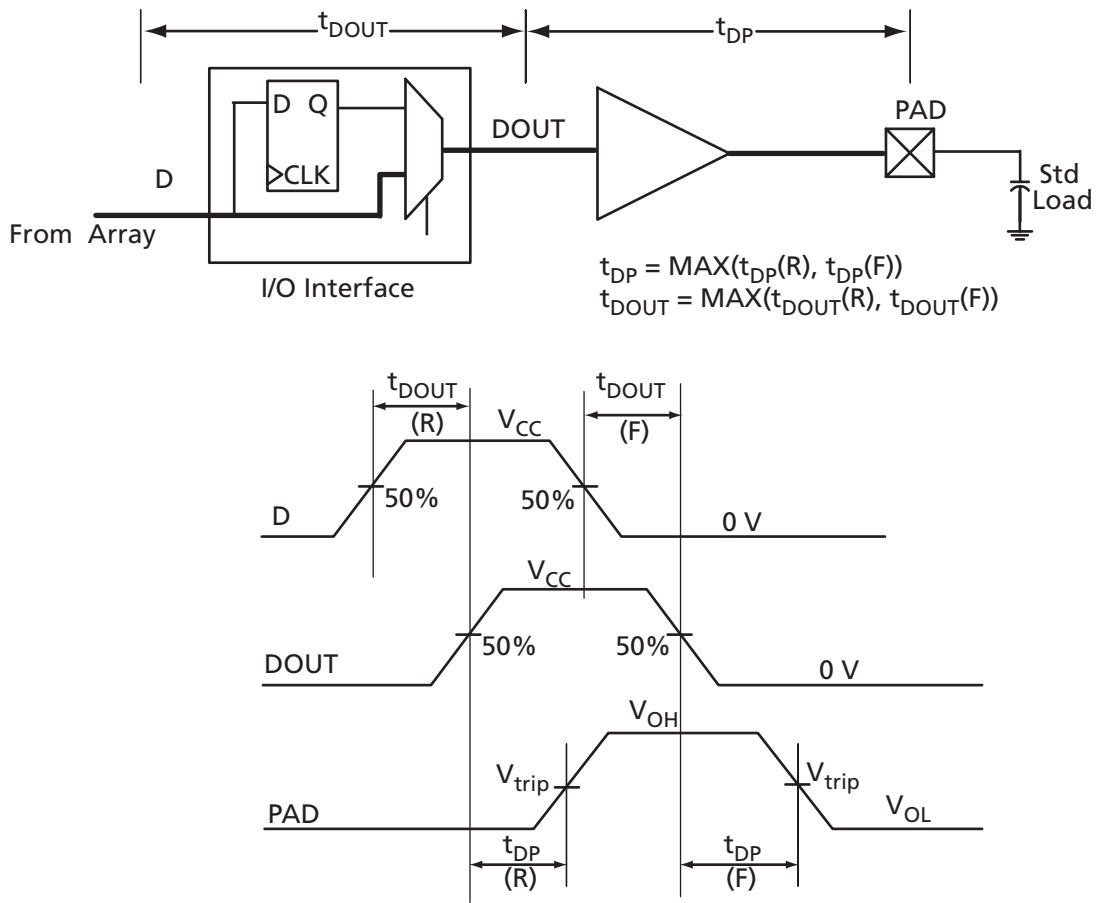


Figure 2-6 • Output Buffer Model and Delays (example)

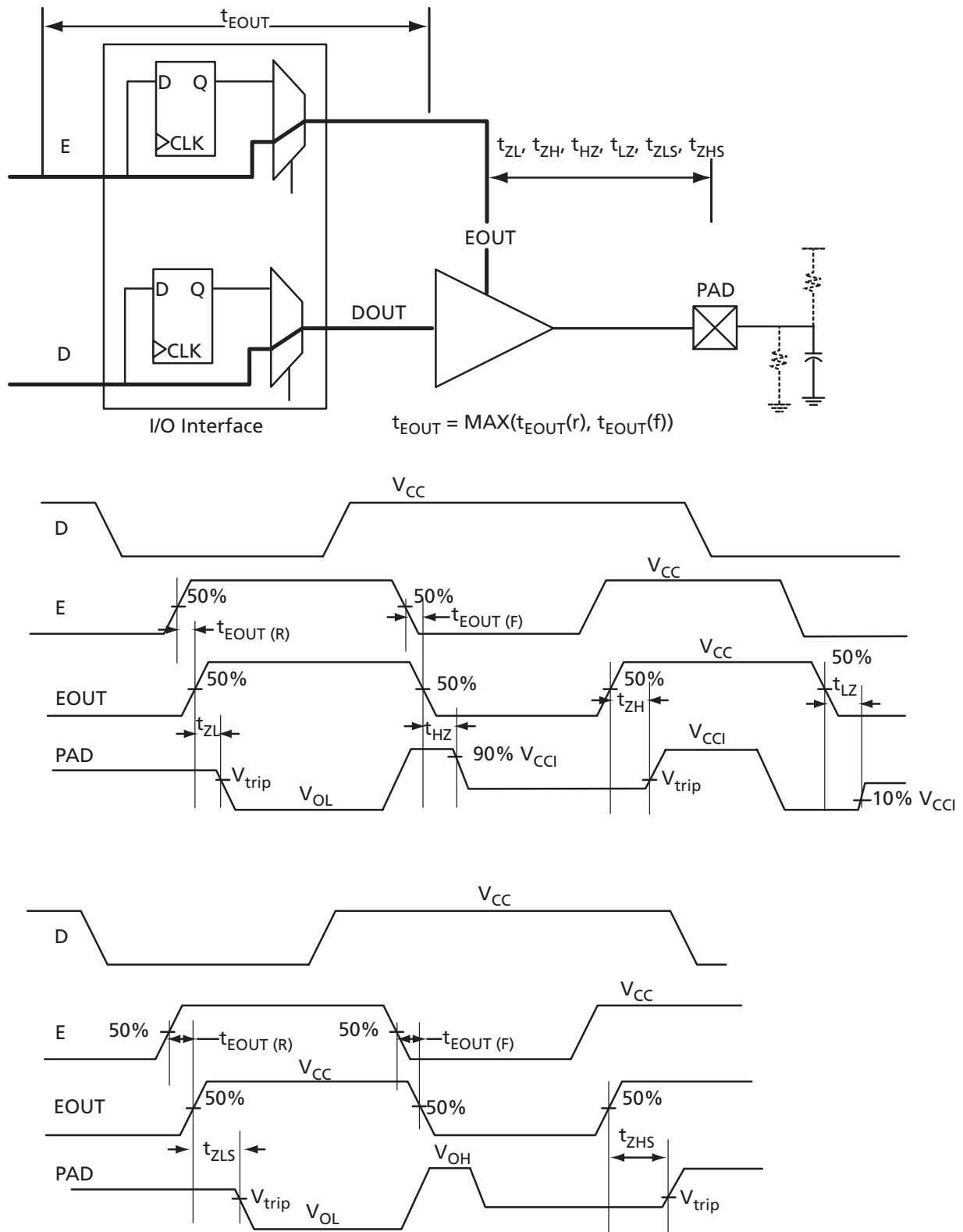


Figure 2-7 • Tristate Output Buffer Timing Model and Delays (example)

Overview of I/O Performance

Summary of I/O DC Input and Output Levels – Default I/O Software Settings

Table 2-23 • Summary of Maximum and Minimum DC Input and Output Levels
 Applicable to Military Conditions—Software Default Settings
 Applicable to Pro I/Os for A3PE600L and A3PE3000L Only

I/O Standard	Drive Strength	Slew Rate	V_{IL}		V_{IH}		V_{OL}	V_{OH}	I_{OL}^1	I_{OH}^1
			Min, V	Max, V	Min, V	Max, V	Max, V	Min, V	mA	mA
3.3 V LVTTTL / 3.3 V LVCMOS	12 mA	High	-0.3	0.8	2	3.6	0.4	2.4	12	12
2.5 V LVCMOS	12 mA	High	-0.3	0.7	1.7	2.7	0.7	1.7	12	12
1.8 V LVCMOS	12 mA	High	-0.3	$0.35 * V_{CC1}$	$0.65 * V_{CC1}$	1.9	0.45	$V_{CC1} - 0.45$	12	12
1.5 V LVCMOS	12 mA	High	-0.3	$0.35 * V_{CC1}$	$0.65 * V_{CC1}$	1.575	$0.25 * V_{CC1}$	$0.75 * V_{CC1}$	12	12
1.2 V LVCMOS	2 mA	High	-0.3	$0.35 * V_{CC1}$	$0.65 * V_{CC1}$	1.26	$0.25 * V_{CC1}$	$0.75 * V_{CC1}$	2	2
3.3 V PCI	Per PCI Specification									
3.3 V PCI-X	Per PCI-X Specification									
3.3 V GTL	25 mA ²	High	-0.3	$V_{REF} - 0.05$	$V_{REF} + 0.05$	3.6	0.4	-	25	25
2.5 V GTL	25 mA ²	High	-0.3	$V_{REF} - 0.05$	$V_{REF} + 0.05$	2.7	0.4	-	25	25
3.3 V GTL+	35 mA	High	-0.3	$V_{REF} - 0.1$	$V_{REF} + 0.1$	3.6	0.6	-	51	51
2.5 V GTL+	33 mA	High	-0.3	$V_{REF} - 0.1$	$V_{REF} + 0.1$	2.7	0.6	-	40	40
HSTL (I)	8 mA	High	-0.3	$V_{REF} - 0.1$	$V_{REF} + 0.1$	1.575	0.4	$V_{CC1} - 0.4$	8	8
HSTL (II)	15 mA ²	High	-0.3	$V_{REF} - 0.1$	$V_{REF} + 0.1$	1.575	0.4	$V_{CC1} - 0.4$	15	15
SSTL2 (I)	15 mA	High	-0.3	$V_{REF} - 0.2$	$V_{REF} + 0.2$	2.7	0.54	$V_{CC1} - 0.62$	15	15
SSTL2 (II)	18 mA	High	-0.3	$V_{REF} - 0.2$	$V_{REF} + 0.2$	2.7	0.35	$V_{CC1} - 0.43$	18	18
SSTL3 (I)	14 mA	High	-0.3	$V_{REF} - 0.2$	$V_{REF} + 0.2$	3.6	0.7	$V_{CC1} - 1.1$	14	14
SSTL3 (II)	21 mA	High	-0.3	$V_{REF} - 0.2$	$V_{REF} + 0.2$	3.6	0.5	$V_{CC1} - 0.9$	21	21

Notes:

1. Currents are measured at 125°C junction temperature.
2. Output drive strength is below JEDEC specification.
3. Output slew rate can be extracted using the IBIS Models.

**Table 2-24 • Summary of Maximum and Minimum DC Input and Output Levels Applicable to Military Conditions—Software Default Settings
Applicable to Advanced I/O Banks for A3P1000 Only**

I/O Standard	Drive Strength	Slew Rate	V_{IL}		V_{IH}		V_{OL}	V_{OH}	I_{OL}^1	I_{OH}^1
			Min, V	Max, V	Min, V	Max, V	Max, V	Min, V	mA	mA
3.3 V LVTTTL / 3.3 V LVCMOS	12 mA	High	-0.3	0.8	2	3.6	0.4	2.4	12	12
2.5 V LVCMOS	12 mA	High	-0.3	0.7	1.7	2.7	0.7	1.7	12	12
1.8 V LVCMOS	12 mA	High	-0.3	$0.35 * V_{CC1}$	$0.65 * V_{CC1}$	1.9	0.45	$V_{CC1} - 0.45$	12	12
1.5 V LVCMOS	12 mA	High	-0.3	$0.35 * V_{CC1}$	$0.65 * V_{CC1}$	1.575	$0.25 * V_{CC1}$	$0.75 * V_{CC1}$	12	12
1.2 V LVCMOS	2 mA	High	-0.3	$0.35 * V_{CC1}$	$0.65 * V_{CC1}$	1.26	$0.25 * V_{CC1}$	$0.75 * V_{CC1}$	2	2
3.3 V PCI	Per PCI specifications									
3.3 V PCI-X	Per PCI-X specifications									

Notes:

1. Currents are measured at 125°C junction temperature.
2. Output slew rate can be extracted using the IBIS Models

**Table 2-25 • Summary of Maximum and Minimum DC Input and Output Levels Applicable to Military Conditions—Software Default Settings
Applicable to Standard Plus I/O Banks for A3P1000 Only**

I/O Standard	Drive Strength	Slew Rate	V_{IL}		V_{IH}		V_{OL}	V_{OH}	I_{OL}^1	I_{OH}^1
			Min, V	Max, V	Min, V	Max, V	Max, V	Min, V	mA	mA
3.3 V LVTTTL / 3.3 V LVCMOS	12 mA	High	-0.3	0.8	2	3.6	0.4	2.4	12	12
2.5 V LVCMOS	12 mA	High	-0.3	0.7	1.7	2.7	0.7	1.7	12	12
1.8 V LVCMOS	8 mA	High	-0.3	$0.35 * V_{CC1}$	$0.65 * V_{CC1}$	1.9	0.45	$V_{CC1} - 0.45$	8	8
1.5 V LVCMOS	4 mA	High	-0.3	$0.35 * V_{CC1}$	$0.65 * V_{CC1}$	1.575	$0.25 * V_{CC1}$	$0.75 * V_{CC1}$	4	4
1.2 V LVCMOS	2 mA	High	-0.3	$0.35 * V_{CC1}$	$0.65 * V_{CC1}$	1.26	$0.25 * V_{CC1}$	$0.75 * V_{CC1}$	2	2
3.3 V PCI	Per PCI specifications									
3.3 V PCI-X	Per PCI-X specifications									

Notes:

1. Currents are measured at 125°C junction temperature.
2. Output slew rate can be extracted using the IBIS Models.

**Table 2-26 • Summary of Maximum and Minimum DC Input Levels
Applicable to Military Conditions**

DC I/O Standard	Military	
	I_{IL}	I_{IH}
	μA	μA
3.3 V LVTTTL / 3.3 V LVCMOS	15	15
2.5 V LVCMOS	15	15
1.8 V LVCMOS	15	15
1.5 V LVCMOS	15	15
1.2 V LVCMOS	15	15
3.3 V PCI	15	15
3.3 V PCI-X	15	15
3.3 V GTL	15	15
2.5 V GTL	15	15
3.3 V GTL+	15	15
2.5 V GTL+	15	15
HSTL (I)	15	15
HSTL (II)	15	15
SSTL2 (I)	15	15
SSTL2 (II)	15	15
SSTL3 (I)	15	15
SSTL3 (II)	15	15

Note: Military temperature range: $-55^{\circ}C$ to $125^{\circ}C$

Summary of I/O Timing Characteristics – Default I/O Software Settings

Table 2-27 • Summary of AC Memory Points*

Standard	Input Reference Voltage (V_{REF_TYP})	Board Termination Voltage (V_{TT_REF})	Measuring Trip Point (V_{trip})
3.3 V LVTTTL / 3.3 V LVCMOS	–	–	1.4 V
2.5 V LVCMOS	–	–	1.2 V
1.8 V LVCMOS	–	–	0.90 V
1.5 V LVCMOS	–	–	0.75 V
1.2 V LVCMOS*	–	–	0.6V
3.3 V PCI	–	–	$0.285 * V_{CCI (RR)}$
			$0.615 * V_{CCI (FF)}$
3.3 V PCI-X	–	–	$0.285 * V_{CCI (RR)}$
			$0.615 * V_{CCI (FF)}$
3.3 V GTL	0.8 V	1.2 V	V_{REF}
2.5 V GTL	0.8 V	1.2 V	V_{REF}
3.3 V GTL+	1.0 V	1.5 V	V_{REF}
2.5 V GTL+	1.0 V	1.5 V	V_{REF}
HSTL (I)	0.75 V	0.75 V	V_{REF}
HSTL (II)	0.75 V	0.75 V	V_{REF}
SSTL2 (I)	1.25 V	1.25 V	V_{REF}
SSTL2 (II)	1.25 V	1.25 V	V_{REF}
SSTL3 (I)	1.5 V	1.485 V	V_{REF}
SSTL3 (II)	1.5 V	1.485 V	V_{REF}
LVDS	–	–	Cross point
LVPECL	–	–	Cross point

* Applicable to A3PE600L and A3PE3000L devices operating at 1.2 V core regions only.

Table 2-28 • I/O AC Parameter Definitions

Parameter	Parameter Definition
t_{DP}	Data to Pad delay through the Output Buffer
t_{PY}	Pad to Data delay through the Input Buffer
t_{DOUT}	Data to Output Buffer delay through the I/O interface
t_{EOUT}	Enable to Output Buffer Tristate Control delay through the I/O interface
t_{DIN}	Input Buffer to Data delay through the I/O interface
t_{HZ}	Enable to Pad delay through the Output Buffer—HIGH to Z
t_{ZH}	Enable to Pad delay through the Output Buffer—Z to HIGH
t_{LZ}	Enable to Pad delay through the Output Buffer—LOW to Z
t_{ZL}	Enable to Pad delay through the Output Buffer—Z to LOW
t_{ZHS}	Enable to Pad delay through the Output Buffer with delayed enable—Z to HIGH
t_{ZLS}	Enable to Pad delay through the Output Buffer with delayed enable—Z to LOW

1.2 V Core Operating Voltage

Table 2-29 • Summary of I/O Timing Characteristics—Software Default Settings
 –1 Speed Grade, Military-Case Conditions: $T_J = 125^\circ\text{C}$, Worst Case $V_{CC} = 1.14\text{ V}$, Worst Case V_{CCI}
 Applicable to Pro I/Os for A3PE600L and A3PE3000L Only

Standard	Drive Strength (mA)	Slew Rate	Capacitive Load (pF)	External Resistor (Ω)	t_{DOUT} (ns)	t_{DP} (ns)	t_{DIN} (ns)	t_{PY} (ns)	t_{PYS} (ns)	t_{EOUT} (ns)	t_{ZL} (ns)	t_{ZH} (ns)	t_{LZ} (ns)	t_{HZ} (ns)	t_{ZLS} (ns)	t_{ZHS} (ns)	Units
3.3 V LVTTTL / 3.3 V LVCMOS	12 mA	High	5	–	0.68	2.08	0.05	1.48	2.03	0.44	2.12	1.56	2.76	3.04	4.00	3.44	ns
2.5 V LVCMOS	12 mA	High	5	–	0.68	2.12	0.05	1.74	2.16	0.44	2.16	1.74	2.84	2.94	4.04	3.63	ns
1.8 V LVCMOS	12 mA	High	5	–	0.68	2.36	0.05	1.69	2.38	0.44	2.40	1.94	3.14	3.57	4.28	3.82	ns
1.5 V LVCMOS	12 mA	High	5	–	0.68	2.71	0.05	1.86	2.59	0.44	2.76	2.24	3.34	3.68	4.64	4.12	ns
1.2 V LVCMOS	2mA	High	5	–	0.68	4.40	0.05	2.23	3.20	0.44	4.21	3.71	4.35	4.11	6.02	5.52	ns
3.3 V PCI	Per PCI spec	High	10	25	0.68	2.36	0.05	2.31	3.12	0.44	2.41	1.68	2.76	3.04	4.29	3.56	ns
3.3 V PCI-X	Per PCI-X spec	High	10	25	0.68	2.36	0.05	2.31	3.12	0.44	2.41	1.68	2.76	3.04	4.29	3.56	ns
3.3 V GTL	25 mA	High	10	25	0.68	1.75	0.05	1.98	–	0.44	1.72	1.75	–	–	3.60	3.63	ns
2.5 V GTL	25 mA	High	10	25	0.68	1.79	0.05	1.92	–	0.44	1.82	1.79	–	–	3.70	3.68	ns
3.3 V GTL+	35 mA	High	10	25	0.68	1.73	0.05	1.98	–	0.44	1.76	1.73	–	–	3.65	3.61	ns
2.5 V GTL+	33 mA	High	10	25	0.68	1.86	0.05	1.92	–	0.44	1.89	1.77	–	–	3.78	3.65	ns
HSTL (I)	8 mA	High	20	25	0.68	2.68	0.05	2.34	–	0.44	2.73	2.65	–	–	4.61	4.53	ns
HSTL (II)	15 mA	High	20	50	0.68	2.55	0.05	2.34	–	0.44	2.59	2.29	–	–	4.48	4.17	ns
SSTL2 (I)	15 mA	High	30	25	0.68	1.79	0.05	1.77	–	0.44	1.82	1.56	–	–	1.82	1.56	ns
SSTL2 (II)	18 mA	High	30	50	0.68	1.83	0.05	1.77	–	0.44	1.86	1.49	–	–	1.86	1.49	ns
SSTL3 (I)	14 mA	High	30	25	0.68	1.94	0.05	1.69	–	0.44	1.98	1.55	–	–	1.98	1.55	ns
SSTL3 (II)	21 mA	High	30	50	0.68	1.74	0.05	1.69	–	0.44	1.77	1.41	–	–	1.77	1.41	ns
LVDS	24 mA	High	–	–	0.68	1.57	0.05	2.04	–	–	–	–	–	–	–	–	ns
LVPECL	24 mA	High	–	–	0.68	1.54	0.05	1.84	–	–	–	–	–	–	–	–	ns

Notes:

1. For specific junction temperature and voltage supply levels, refer to [Table 2-5 on page 2-8](#) for derating values.
2. Resistance is used to measure I/O propagation delays as defined in PCI specifications. See [Figure 2-13 on page 2-65](#) for connectivity. This resistor is not required during normal operation.

1.5 V Core Voltage

Table 2-30 • Summary of I/O Timing Characteristics—Software Default Settings
 –1 Speed Grade, Military-Case Conditions: $T_J = 125^\circ\text{C}$, $V_{CC} = 1.425\text{ V}$, Worst Case V_{CCI}
 Applicable to Pro I/Os for A3PE600L and A3PE3000L Only

Standard	Drive Strength (mA)	Slew Rate	Capacitive Load (pF)	External Resistor (Ω)	t_{DOUT} (ns)	t_{DP} (ns)	t_{DIN} (ns)	t_{PY} (ns)	t_{PYS} (ns)	t_{EOUT} (ns)	t_{ZL} (ns)	t_{ZH} (ns)	t_{LZ} (ns)	t_{HZ} (ns)	t_{ZLS} (ns)	t_{ZHS} (ns)	Units
3.3 V LVTTTL / 3.3 V LVCMOS	12 mA	High	5	–	0.52	2.08	0.03	1.48	2.03	0.34	2.12	1.56	2.76	3.04	4.00	3.44	ns
2.5 V LVCMOS	12 mA	High	5	–	0.52	2.12	0.03	1.74	2.16	0.34	2.16	1.74	2.84	2.94	4.04	3.63	ns
1.8 V LVCMOS	12 mA	High	5	–	0.52	2.36	0.03	1.69	2.38	0.34	2.40	1.94	3.14	3.57	4.28	3.82	ns
1.5 V LVCMOS	12 mA	High	5	–	0.52	2.71	0.03	1.86	2.59	0.34	2.76	2.24	3.34	3.68	4.64	4.12	ns
3.3 V PCI	Per PCI spec	High	10	25	0.52	2.36	0.03	2.31	3.12	0.34	2.41	1.68	2.76	3.04	4.29	3.56	ns
3.3 V PCI-X	Per PCI-X spec	High	10	25	0.52	2.36	0.03	2.31	3.12	0.34	2.41	1.68	2.76	3.04	4.29	3.56	ns
3.3 V GTL	25 mA	High	10	25	0.52	1.75	0.03	1.98	–	0.34	1.72	1.75	–	–	3.60	3.63	ns
2.5 V GTL	25 mA	High	10	25	0.52	1.79	0.03	1.92	–	0.34	1.82	1.79	–	–	3.70	3.68	ns
3.3 V GTL+	35 mA	High	10	25	0.52	1.73	0.03	1.98	–	0.34	1.76	1.73	–	–	3.65	3.61	ns
2.5 V GTL+	33 mA	High	10	25	0.52	1.86	0.03	1.92	–	0.34	1.89	1.77	–	–	3.78	3.65	ns
HSTL (I)	8 mA	High	20	25	0.52	2.68	0.03	2.34	–	0.34	2.73	2.65	–	–	4.61	4.53	ns
HSTL (II)	15 mA	High	20	50	0.52	2.55	0.03	2.34	–	0.34	2.59	2.29	–	–	4.48	4.17	ns
SSTL2 (I)	15 mA	High	30	25	0.52	1.79	0.03	1.77	–	0.34	1.82	1.56	–	–	1.82	1.56	ns
SSTL2 (II)	18 mA	High	30	50	0.52	1.83	0.03	1.77	–	0.34	1.86	1.49	–	–	1.86	1.49	ns
SSTL3 (I)	14 mA	High	30	25	0.52	1.94	0.03	1.69	–	0.34	1.98	1.55	–	–	1.98	1.55	ns
SSTL3 (II)	21 mA	High	30	50	0.52	1.74	0.03	1.69	–	0.34	1.77	1.41	–	–	1.77	1.41	ns
LVDS	24 mA	High	–	–	0.52	1.57	0.03	2.04	–	–	–	–	–	–	–	–	ns
LVPECL	24 mA	High	–	–	0.52	1.54	0.03	1.84	–	–	–	–	–	–	–	–	ns

Notes:

1. For specific junction temperature and voltage supply levels, refer to [Table 2-5 on page 2-8](#) for derating values.
2. Resistance is used to measure I/O propagation delays as defined in PCI specifications. See [Figure 2-13 on page 2-65](#) for connectivity. This resistor is not required during normal operation.

Table 2-31 • Summary of I/O Timing Characteristics—Software Default Settings
 –1 Speed Grade, Military-Case Conditions: $T_J = 125^\circ\text{C}$, Worst Case $V_{CC} = 1.425\text{ V}$, Worst Case V_{CCI}
 Applicable to Advanced I/O Banks for A3P1000 Only

I/O Standard	Drive Strength (mA)	Slew Rate	Capacitive Load (pF)	External Resistor (Ω)	t_{DOUT} (ns)	t_{DP} (ns)	t_{DIN} (ns)	t_{PY} (ns)	t_{EOUT} (ns)	t_{ZL} (ns)	t_{ZH} (ns)	t_{LZ} (ns)	t_{HZ} (ns)	t_{ZLS} (ns)	t_{ZHS} (ns)	Units
3.3 V LVTTTL / 3.3 V LVCMOS	12 mA	High	5 pF	–	0.54	2.24	0.04	0.95	0.39	2.28	1.70	3.00	3.35	4.38	3.79	ns
2.5 V LVCMOS	12 mA	High	5 pF	–	0.54	2.26	0.04	1.23	0.39	2.30	1.89	3.09	3.22	4.39	3.99	ns
1.8 V LVCMOS	12 mA	High	5 pF	–	0.54	2.49	0.04	1.14	0.39	2.54	2.12	3.46	3.82	4.63	4.21	ns
1.5 V LVCMOS	12 mA	High	5 pF	–	0.54	2.85	0.04	1.35	0.39	2.90	2.45	3.69	3.93	4.99	4.55	ns
3.3 V PCI	Per PCI spec.	High	5 pF	25 ²	0.54	2.51	0.04	0.81	0.39	2.39	1.68	3.00	3.35	4.65	3.92	ns
3.3 V PCI-X	Per PCI-X spec.	High	10 pF	25 ²	0.54	2.51	0.04	0.78	0.39	2.39	1.68	3.00	3.35	4.65	3.92	ns
LVDS	24 mA	High	–	–	0.54	1.71	0.04	1.50	N/A	N/A	N/A	N/A	N/A	N/A	N/A	ns
LVPECL	24 mA	High	–	–	0.54	1.68	0.04	1.31	N/A	N/A	N/A	N/A	N/A	N/A	N/A	ns

Notes:

1. For specific junction temperature and voltage supply levels, refer to [Table 2-6 on page 2-8](#) for derating values.
2. Resistance is used to measure I/O propagation delays as defined in PCI specifications. See [Figure 2-13 on page 2-65](#) for connectivity. This resistor is not required during normal operation.



Table 2-32 • Summary of I/O Timing Characteristics—Software Default Settings
 –1 Speed Grade, Military-Case Conditions: $T_J = 125^\circ\text{C}$, Worst Case $V_{CC} = 1.425\text{ V}$, Worst Case $V_{CCI} = 3.0\text{ V}$
 Applicable to Standard Plus I/O Banks for A3P1000 Only

I/O Standard	Drive Strength (mA)	Slew Rate	Capacitive Load (pF)	External Resistor	t_{DOUT} (ns)	t_{DP} (ns)	t_{DIN} (ns)	t_{PY} (ns)	t_{EOUT} (ns)	t_{ZL} (ns)	t_{ZH} (ns)	t_{LZ} (ns)	t_{HZ} (ns)	t_{ZLS} (ns)	t_{ZHS} (ns)	Units
3.3 V LVTTTL / 3.3 V LVCMOS	12 mA	High	5pF	–	0.54	1.90	0.04	0.94	0.39	1.94	1.47	2.61	3.01	4.03	3.56	ns
2.5 V LVCMOS	12 mA	High	5pF	–	0.54	1.94	0.04	1.21	0.39	1.97	1.62	2.64	2.91	4.07	3.71	ns
1.8 V LVCMOS	8 mA	High	5pF	–	0.54	1.94	0.04	1.21	0.39	1.97	1.62	2.64	2.91	4.07	3.71	ns
1.5 V LVCMOS	4 mA	High	5pF	–	0.54	2.62	0.04	1.33	0.39	2.67	2.23	2.84	2.93	4.77	4.32	ns
3.3 V PCI	Per PCI spec.	High	10 pF	25^2	0.54	2.16	0.04	0.80	0.39	2.03	1.45	2.61	3.01	4.29	3.69	ns
3.3 V PCI-X	Per PCI-X spec.	High	10 pF	25^2	0.54	2.16	0.04	0.78	0.39	2.03	1.45	2.61	3.01	4.29	3.69	ns

Notes:

1. For specific junction temperature and voltage supply levels, refer to [Table 2-6 on page 2-8](#) for derating values.
2. Resistance is used to measure I/O propagation delays as defined in PCI specifications. See [Figure 2-13 on page 2-65](#) for connectivity. This resistor is not required during normal operation.

Detailed I/O DC Characteristics

Table 2-33 • Input Capacitance

Symbol	Definition	Conditions	Min.	Max.	Units
C_{IN}	Input capacitance	$V_{IN} = 0$, $f = 1.0\text{ MHz}$		8	pF
C_{INCLK}	Input capacitance on the clock pin	$V_{IN} = 0$, $f = 1.0\text{ MHz}$		8	pF

Table 2-34 • I/O Output Buffer Maximum Resistances¹
Applicable to Pro I/Os for A3PE600L and A3PE3000L Only

Standard	Drive Strength	R _{PULL-DOWN} (Ω) ²	R _{PULL-UP} (Ω) ³
3.3 V LVTTTL / 3.3 V LVCMOS	4 mA	100	300
	8 mA	50	150
	12 mA	25	75
	16 mA	17	50
	24 mA	11	33
2.5 V LVCMOS	4 mA	100	200
	8 mA	50	100
	12 mA	25	50
	16 mA	20	40
	24 mA	11	22
1.8 V LVCMOS	2 mA	200	225
	4 mA	100	112
	6 mA	50	56
	8 mA	50	56
	12 mA	20	22
	16 mA	20	22
1.5 V LVCMOS	2 mA	200	224
	4 mA	100	112
	6 mA	67	75
	8 mA	33	37
	12 mA	33	37
1.2 V LVCMOS	2 mA	TBD	TBD
3.3 V PCI/PCI-X	Per PCI/PCI-X specification	25	75
3.3 V GTL	25 mA	11	–
2.5 V GTL	25 mA	14	–
3.3 V GTL+	35 mA	12	–
2.5 V GTL+	33 mA	15	–
HSTL (I)	8 mA	50	50
HSTL (II)	15 mA	25	25
SSTL2 (I)	15 mA	27	31
SSTL2 (II)	18 mA	13	15
SSTL3 (I)	14 mA	44	69
SSTL3 (II)	21 mA	18	32

Notes:

1. These maximum values are provided for informational reasons only. Minimum output buffer resistance values depend on V_{CC1} , drive strength selection, temperature, and process. For board design considerations and detailed output buffer resistances, use the corresponding IBIS models located on the Actel website at <http://www.actel.com/download/libis/default.aspx>.
2. $R_{(PULL-DOWN-MAX)} = (V_{OLspec}) / I_{OLspec}$
3. $R_{(PULL-UP-MAX)} = (V_{CC1max} - V_{OHspec}) / I_{OHspec}$

Table 2-35 • I/O Output Buffer Maximum Resistances¹
Applicable to Advanced I/O Banks for A3P1000 Only

Standard	Drive Strength	R _{PULL-DOWN} (Ω) ²	R _{PULL-UP} (Ω) ³
3.3 V LVTTTL / 3.3 V LVCMOS	2 mA	100	300
	4 mA	100	300
	6 mA	50	150
	8 mA	50	150
	12 mA	25	75
	16 mA	17	50
	24 mA	11	33
2.5 V LVCMOS	2 mA	100	300
	4 mA	100	300
	6 mA	50	150
	8 mA	50	150
	12 mA	25	75
	16 mA	17	50
	24 mA	11	33
1.8 V LVCMOS	2 mA	100	200
	4 mA	100	200
	6 mA	50	100
	8 mA	50	100
	12 mA	25	50
	16 mA	20	40
1.5 V LVCMOS	2 mA	200	224
	4 mA	100	112
	6 mA	67	75
	8 mA	33	37
	12 mA	33	37
3.3 V PCI/PCI-X	Per PCI/PCI-X specification	25	75

Notes:

1. These maximum values are provided for informational reasons only. Minimum output buffer resistance values depend on V_{CCt} , drive strength selection, temperature, and process. For board design considerations and detailed output buffer resistances, use the corresponding IBIS models located on the Actel website at <http://www.actel.com/download/ibis/default.aspx>.
2. $R_{(PULL-DOWN-MAX)} = (V_{OLspec}) / I_{OLspec}$
3. $R_{(PULL-UP-MAX)} = (V_{CCImax} - V_{OHspec}) / I_{OHspec}$

Table 2-36 • I/O Output Buffer Maximum Resistances¹
Applicable to Standard Plus I/O Banks for A3P1000 Only

Standard	Drive Strength	R _{PULL-DOWN} (Ω) ²	R _{PULL-UP} (Ω) ³
3.3 V LVTTTL / 3.3 V LVCMOS	2 mA	100	300
	4 mA	100	300
	6 mA	50	150
	8 mA	50	150
	12 mA	25	75
	16 mA	25	75
2.5 V LVCMOS	2 mA	100	200
	4 mA	100	200
	6 mA	50	100
	8 mA	50	100
	12 mA	25	50
1.8 V LVCMOS	2 mA	200	225
	4 mA	100	112
	6 mA	50	56
	8 mA	50	56
1.5 V LVCMOS	2 mA	200	224
	4 mA	100	112
3.3 V PCI/PCI-X	Per PCI/PCI-X specification	25	75

Notes:

1. These maximum values are provided for informational reasons only. Minimum output buffer resistance values depend on V_{CCl} , drive strength selection, temperature, and process. For board design considerations and detailed output buffer resistances, use the corresponding IBIS models located on the Actel website at <http://www.actel.com/download/ibis/default.aspx>.
2. $R_{(PULL-DOWN-MAX)} = (V_{OLspec}) / I_{OLspec}$
3. $R_{(PULL-UP-MAX)} = (V_{CClmax} - V_{OHspec}) / I_{OHspec}$

Table 2-37 • I/O Weak Pull-Up/Pull-Down Resistances
Minimum and Maximum Weak Pull-Up/Pull-Down Resistance Values

V _{CCI}	R _(WEAK PULL-UP) ¹ (Ω)		R _(WEAK PULL-DOWN) ² (Ω)	
	Min.	Max.	Min.	Max.
3.3 V	10 k	45 k	10 k	45 k
2.5 V	11 k	55 k	12 k	74 k
1.8 V	18 k	70 k	17 k	110 k
1.5 V	19 k	90 k	19 k	140 k
1.2 V	TBD	TBD	TBD	TBD

Notes:

1. $R_{(WEAK\ PULL-UP-MAX)} = (V_{OLspec}) / I_{(WEAK\ PULL-UP-MIN)}$
2. $R_{(WEAK\ PULL-UP-MAX)} = (V_{CCI_{max}} - V_{OHspec}) / I_{(WEAK\ PULL-UP-MIN)}$

**Table 2-38 • I/O Short Currents I_{OSH}/I_{OSL}
 Applicable to Pro I/Os for A3PE600L and A3PE3000L Only**

	Drive Strength	I_{OSL} (mA)*	I_{OSH} (mA)*
3.3 V LVTTTL / 3.3 V LVCMOS	4 mA	25	27
	8 mA	51	54
	12 mA	103	109
	16 mA	132	127
	24 mA	268	181
2.5 V LVCMOS	4 mA	16	18
	8 mA	32	37
	12 mA	65	74
	16 mA	83	87
	24 mA	169	124
1.8 V LVCMOS	2 mA	9	11
	4 mA	17	22
	6 mA	35	44
	8 mA	45	51
	12 mA	91	74
	16 mA	91	74
1.5 V LVCMOS	2 mA	13	16
	4 mA	25	33
	6 mA	32	39
	8 mA	66	55
	12 mA	66	55
1.2 V LVCMOS	2mA	TBD	TBD
3.3 V PCI/PCIX	Per PCI/PCI-X Specification	Per PCI Curves	
3.3 V GTL	25 mA	268	181
2.5 V GTL	25 mA	169	124
3.3 V GTL+	35 mA	268	181
2.5 V GTL+	33 mA	169	124
HSTL (I)	8 mA	32	39
HSTL (II)	15 mA	66	55
SSTL2 (I)	15 mA	83	87
SSTL2 (II)	18 mA	169	124
SSTL3 (I)	14 mA	51	54
SSTL3 (II)	21 mA	103	109

 * $T_J = 100^\circ\text{C}$

**Table 2-39 • I/O Short Currents I_{OSH}/I_{OSL}
Applicable to Advanced I/O Banks for A3P1000 Only**

	Drive Strength	I_{OSL} (mA)*	I_{OSH} (mA)*
3.3 V LVTTTL / 3.3V LVCMOS	2mA	25	27
	4mA	25	27
	6mA	51	54
	8mA	51	54
	12mA	103	109
	16mA	132	127
	24mA	268	181
3.3 V LVCMOS	2mA	25	27
	4mA	25	27
	6mA	51	54
	8mA	51	54
	12mA	103	109
	16mA	132	127
	24mA	268	181
2.5 V LVCMOS	2mA	16	18
	4mA	16	18
	6mA	32	37
	8mA	32	37
	12mA	65	74
	16mA	83	87
	24mA	169	124
1.8 V LVCMOS	2mA	9	11
	4mA	17	22
	6mA	35	44
	8mA	45	51
	12mA	91	74
	16mA	91	74
1.5 V LVCMOS	2mA	13	16
	4mA	25	33
	6mA	32	39
	8mA	66	55
	12mA	66	55
3.3 V PCI/PCI-X	Per PCI/PCI-X specification	103	109

* $T_J = 100^\circ\text{C}$

**Table 2-40 • I/O Short Currents I_{OSH}/I_{OSL}
Applicable to Standard Plus I/O Banks for A3P1000 Only**

	Drive Strength	I_{OSL} (mA)*	I_{OSH} (mA)*
3.3 V LVTTTL / 3.3V LVCMOS	2mA	25	27
	4mA	25	27
	6mA	51	54
	8mA	51	54
	12mA	103	109
	16mA	103	109
2.5 V LVCMOS	2mA	16	18
	4mA	16	18
	6mA	32	37
	8mA	32	37
	12mA	65	74
1.8 V LVCMOS	2mA	9	11
	4mA	17	22
	6mA	35	44
	8mA	35	44
1.5V LVCMOS	2mA	13	16
	4mA	25	33
3.3 V PCI/PCI-X	Per PCI/PCI-X specification	103	109

* $T_J = 100^\circ\text{C}$

Table 2-41 • Schmitt Trigger Input Hysteresis, Hysteresis Voltage Value (typical) for Schmitt Mode Input Buffers Applicable to A3PE600L and A3PE3000L Only

Input Buffer Configuration	Hysteresis Value (typical)
3.3 V LVTTTL/LVCMOS/PCI/PCI-X (Schmitt trigger mode)	240 mV
2.5 V LVCMOS (Schmitt trigger mode)	140 mV
1.8 V LVCMOS (Schmitt trigger mode)	80 mV
1.5 V LVCMOS (Schmitt trigger mode)	60 mV
1.2 V LVCMOS (Schmitt trigger mode)	40 mV

The length of time an I/O can withstand I_{OSH}/I_{OSL} events depends on the junction temperature. The reliability data below is based on a 3.3 V, 12 mA I/O setting, which is the worst case for this type of analysis.

For example, at 110°C, the short current condition would have to be sustained for more than three months to cause a reliability concern. The I/O design does not contain any short circuit protection, but such protection would only be needed in extremely prolonged stress conditions.

Table 2-42 • Duration of Short Circuit Event before Failure

Temperature	Time before Failure
-40°C	> 20 years
0°C	> 20 years
25°C	> 20 years
70°C	5 years
85°C	2 years
100°C	6 months
110°C	3 months
125°C	1 month

Table 2-43 • I/O Input Rise Time, Fall Time, and Related I/O Reliability

Input Buffer	Input Rise/Fall Time (min.)	Input Rise/Fall Time (max.)	Reliability
LVTTL/LVCMOS	No requirement	10 ns *	20 years (110°C)
LVDS/B-LVDS/ M-LVDS/LVPECL	No requirement	10 ns *	10 years (100°C)

* The maximum input rise/fall time is related to the noise induced in the input buffer trace. If the noise is low, the rise time and fall time of input buffers can be increased beyond the maximum value. The longer the rise/fall times, the more susceptible the input signal is to the board noise. Actel recommends signal integrity evaluation/characterization of the system to ensure that there is no excessive noise coupling into input signals.

Single-Ended I/O Characteristics

3.3 V LVTTTL / 3.3 V LVCMOS

Low-Voltage Transistor–Transistor Logic (LVTTTL) is a general-purpose standard (EIA/JESD) for 3.3 V applications. It uses an LVTTTL input buffer and push-pull output buffer.

Table 2-44 • Minimum and Maximum DC Input and Output Levels
Applicable to Pro I/Os for A3PE600L and A3PE3000L Only

3.3 V LVTTTL / 3.3 V LVCMOS	V_{IL}		V_{IH}		V_{OL}	V_{OH}	I_{OL}	I_{OH}	I_{OSL}	I_{OSH}	I_{IL}	I_{IH}
	Min., V	Max., V	Min., V	Max., V	Max., V	Min., V	mA	mA	Max., mA ¹	Max., mA ¹	μA^2	μA^2
4 mA	-0.3	0.8	2	3.6	0.4	2.4	4	4	25	27	15	15
8 mA	-0.3	0.8	2	3.6	0.4	2.4	8	8	51	54	15	15
12 mA	-0.3	0.8	2	3.6	0.4	2.4	12	12	103	109	15	15
16 mA	-0.3	0.8	2	3.6	0.4	2.4	16	16	132	127	15	15
24 mA	-0.3	0.8	2	3.6	0.4	2.4	24	24	268	181	15	15

Notes:

1. Currents are measured at 100°C junction temperature and maximum voltage.
2. Currents are measured at 125°C junction temperature.
3. Software default selection highlighted in gray.

Table 2-45 • Minimum and Maximum DC Input and Output Levels
Applicable to Advanced I/O Banks for A3P1000 Only

3.3 V LVTTTL / 3.3 V LVCMOS	V_{IL}		V_{IH}		V_{OL}	V_{OH}	I_{OL}	I_{OH}	I_{OSL}	I_{OSH}	I_{IL}	I_{IH}
	Min., V	Max., V	Min., V	Max., V	Max., V	Min., V	mA	mA	Max., mA ¹	Max., mA ¹	μA^2	μA^2
2 mA	-0.3	0.8	2	3.6	0.4	2.4	2	2	25	27	15	15
4 mA	-0.3	0.8	2	3.6	0.4	2.4	4	4	25	27	15	15
6 mA	-0.3	0.8	2	3.6	0.4	2.4	6	6	51	54	15	15
8 mA	-0.3	0.8	2	3.6	0.4	2.4	8	8	51	54	15	15
12 mA	-0.3	0.8	2	3.6	0.4	2.4	12	12	103	109	15	15
16 mA	-0.3	0.8	2	3.6	0.4	2.4	16	16	132	127	15	15
24 mA	-0.3	0.8	2	3.6	0.4	2.4	24	24	268	181	15	15

Notes:

1. Currents are measured at 100°C junction temperature and maximum voltage.
2. Currents are measured at 125°C junction temperature.
3. Software default selection highlighted in gray.

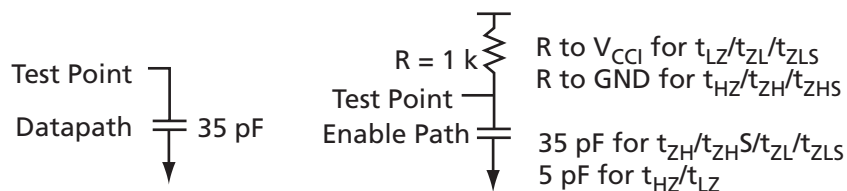


Table 2-46 • Minimum and Maximum DC Input and Output Levels
 Applicable to Standard Plus I/O Banks for A3P1000 Only

3.3 V LVTTTL / 3.3 V LVCMOS	V_{IL}		V_{IH}		V_{OL}	V_{OH}	I_{OL}	I_{OH}	I_{OSL}	I_{OSH}	I_{IL}	I_{IH}
	Min., V	Max., V	Min., V	Max., V	Max., V	Min., V	mA	mA	Max., mA ¹	Max., mA ¹	μA^2	μA^2
2 mA	-0.3	0.8	2	3.6	0.4	2.4	2	2	25	27	15	15
4 mA	-0.3	0.8	2	3.6	0.4	2.4	4	4	25	27	15	15
6 mA	-0.3	0.8	2	3.6	0.4	2.4	6	6	51	54	15	15
8 mA	-0.3	0.8	2	3.6	0.4	2.4	8	8	51	54	15	15
12 mA	-0.3	0.8	2	3.6	0.4	2.4	12	12	103	109	15	15
16 mA	-0.3	0.8	2	3.6	0.4	2.4	16	16	103	109	15	15

Notes:

1. Currents are measured at 100°C junction temperature and maximum voltage.
2. Currents are measured at 125°C junction temperature.
3. Software default selection highlighted in gray.


Figure 2-8 • AC Loading
Table 2-47 • AC Waveforms, Measuring Points, and Capacitive Loads

Input LOW (V)	Input HIGH (V)	Measuring Point* (V)	C _{LOAD} (pF)
0	3.3	1.4	5

* Measuring point = V_{trip} . See Table 2-27 on page 2-27 for a complete table of trip points.

Timing Characteristics

1.2 V DC Core Voltage

Table 2-48 • 3.3 V LVTTTL / 3.3 V LVCMOS Low Slew
 Military-Case Conditions: $T_J = 125^\circ\text{C}$, Worst-Case $V_{CC} = 1.14\text{ V}$, Worst-Case $V_{CCI} = 3.0\text{ V}$
 Applicable to Pro I/Os for A3PE600L and A3PE3000L Only

Drive Strength	Speed Grade	t_{DOUT}	t_{DP}	t_{DIN}	t_{PY}	t_{PYS}	t_{EOUT}	t_{ZL}	t_{ZH}	t_{LZ}	t_{HZ}	t_{ZLS}	t_{ZHS}	Units
4 mA	Std.	0.80	6.03	0.05	1.74	2.39	0.52	6.14	4.84	2.66	2.42	8.35	7.06	ns
	-1	0.68	5.13	0.05	1.48	2.03	0.44	5.22	4.12	2.27	2.06	7.11	6.00	ns
8 mA	Std.	0.80	4.93	0.05	1.74	2.39	0.52	5.02	4.14	3.01	3.03	7.23	6.35	ns
	-1	0.68	4.19	0.05	1.48	2.03	0.44	4.27	3.52	2.56	2.58	6.15	5.40	ns
12 mA	Std.	0.80	4.15	0.05	1.74	2.39	0.52	4.22	3.61	3.24	3.43	6.44	5.82	ns
	-1	0.68	3.53	0.05	1.48	2.03	0.44	3.59	3.07	2.76	2.92	5.47	4.95	ns
16 mA	Std.	0.80	3.92	0.05	1.74	2.39	0.52	3.99	3.49	3.29	3.54	6.21	5.71	ns
	-1	0.68	3.34	0.05	1.48	2.03	0.44	3.40	2.97	2.80	3.01	5.28	4.85	ns
24 mA	Std.	0.80	3.81	0.05	1.74	2.39	0.52	3.88	3.51	3.35	3.92	6.09	5.72	ns
	-1	0.68	3.24	0.05	1.48	2.03	0.44	3.30	2.98	2.85	3.34	5.18	4.87	ns

Note: For specific junction temperature and voltage supply levels, refer to [Table 2-5 on page 2-8](#) for derating values.

Table 2-49 • 3.3 V LVTTTL / 3.3 V LVCMOS High Slew
 Military-Case Conditions: $T_J = 125^\circ\text{C}$, Worst-Case $V_{CC} = 1.14\text{ V}$, Worst-Case $V_{CCI} = 3.0\text{ V}$
 Applicable to Pro I/Os for A3PE600L and A3PE3000L Only

Drive Strength	Speed Grade	t_{DOUT}	t_{DP}	t_{DIN}	t_{PY}	t_{PYS}	t_{EOUT}	t_{ZL}	t_{ZH}	t_{LZ}	t_{HZ}	t_{ZLS}	t_{ZHS}	Units
4 mA	Std.	0.80	3.39	0.05	1.74	2.39	0.52	3.45	2.60	2.66	2.56	5.67	4.81	ns
	-1	0.68	2.89	0.05	1.48	2.03	0.44	2.94	2.21	2.27	2.18	4.82	4.10	ns
8 mA	Std.	0.80	2.79	0.05	1.74	2.39	0.52	2.84	2.08	3.02	3.18	5.05	4.30	ns
	-1	0.68	2.37	0.05	1.48	2.03	0.44	2.42	1.77	2.57	2.70	4.30	3.65	ns
12 mA	Std.	0.80	2.45	0.05	1.74	2.39	0.52	2.49	1.83	3.24	3.58	4.71	4.05	ns
	-1	0.68	2.08	0.05	1.48	2.03	0.44	2.12	1.56	2.76	3.04	4.00	3.44	ns
16 mA	Std.	0.80	2.39	0.05	1.74	2.39	0.52	2.43	1.79	3.30	3.69	4.65	4.00	ns
	-1	0.68	2.03	0.05	1.48	2.03	0.44	2.07	1.52	2.80	3.14	3.95	3.40	ns
24 mA	Std.	0.80	2.41	0.05	1.74	2.39	0.52	2.46	1.72	3.35	4.08	4.67	3.94	ns
	-1	0.68	2.05	0.05	1.48	2.03	0.44	2.09	1.47	2.85	3.47	3.97	3.35	ns

Notes:

1. Software default selection highlighted in gray.
2. For specific junction temperature and voltage supply levels, refer to [Table 2-5 on page 2-8](#) for derating values.



1.5 V DC Core Voltage

Table 2-50 • 3.3 V LVTTTL / 3.3 V LVCMOS Low Slew
 Military-Case Conditions: $T_J = 125^\circ\text{C}$, $V_{CC} = 1.425\text{ V}$, Worst-Case $V_{CCI} = 3.0\text{ V}$
 Applicable to Pro I/Os for A3PE600L and A3PE3000L Only

Drive Strength	Speed Grade	t_{DOUT}	t_{DP}	t_{DIN}	t_{PY}	t_{PYS}	t_{EOUT}	t_{ZL}	t_{ZH}	t_{LZ}	t_{HZ}	t_{ZLS}	t_{ZHS}	Units
4 mA	Std.	0.61	6.03	0.04	1.74	2.39	0.40	6.14	4.84	2.66	2.42	8.35	7.06	ns
	-1	0.52	5.13	0.03	1.48	2.03	0.34	5.22	4.12	2.27	2.06	7.11	6.00	ns
8 mA	Std.	0.61	4.93	0.04	1.74	2.39	0.40	5.02	4.14	3.01	3.03	7.23	6.35	ns
	-1	0.52	4.19	0.03	1.48	2.03	0.34	4.27	3.52	2.56	2.58	6.15	5.40	ns
12 mA	Std.	0.61	4.15	0.04	1.74	2.39	0.40	4.22	3.61	3.24	3.43	6.44	5.82	ns
	-1	0.52	3.53	0.03	1.48	2.03	0.34	3.59	3.07	2.76	2.92	5.47	4.95	ns
16 mA	Std.	0.61	3.92	0.04	1.74	2.39	0.40	3.99	3.49	3.29	3.54	6.21	5.71	ns
	-1	0.52	3.34	0.03	1.48	2.03	0.34	3.40	2.97	2.80	3.01	5.28	4.85	ns
24 mA	Std.	0.61	3.81	0.04	1.74	2.39	0.40	3.88	3.51	3.35	3.92	6.09	5.72	ns
	-1	0.52	3.24	0.03	1.48	2.03	0.34	3.30	2.98	2.85	3.34	5.18	4.87	ns

Note: For specific junction temperature and voltage supply levels, refer to [Table 2-5 on page 2-8](#) for derating values.

Table 2-51 • 3.3 V LVTTTL / 3.3 V LVCMOS High Slew
 Military-Case Conditions: $T_J = 125^\circ\text{C}$, $V_{CC} = 1.425\text{ V}$, Worst-Case $V_{CCI} = 3.0\text{ V}$
 Applicable to Pro I/Os for A3PE600L and A3PE3000L Only

Drive Strength	Speed Grade	t_{DOUT}	t_{DP}	t_{DIN}	t_{PY}	t_{PYS}	t_{EOUT}	t_{ZL}	t_{ZH}	t_{LZ}	t_{HZ}	t_{ZLS}	t_{ZHS}	Units
4 mA	Std.	0.61	3.39	0.04	1.74	2.39	0.40	3.45	2.60	2.66	2.56	5.67	4.81	ns
	-1	0.52	2.89	0.03	1.48	2.03	0.34	2.94	2.21	2.27	2.18	4.82	4.10	ns
8 mA	Std.	0.61	2.79	0.04	1.74	2.39	0.40	2.84	2.08	3.02	3.18	5.05	4.30	ns
	-1	0.52	2.37	0.03	1.48	2.03	0.34	2.42	1.77	2.57	2.70	4.30	3.65	ns
12 mA	Std.	0.61	2.45	0.04	1.74	2.39	0.40	2.49	1.83	3.24	3.58	4.71	4.05	ns
	-1	0.52	2.08	0.03	1.48	2.03	0.34	2.12	1.56	2.76	3.04	4.00	3.44	ns
16 mA	Std.	0.61	2.39	0.04	1.74	2.39	0.40	2.43	1.79	3.30	3.69	4.65	4.00	ns
	-1	0.52	2.03	0.03	1.48	2.03	0.34	2.07	1.52	2.80	3.14	3.95	3.40	ns
24 mA	Std.	0.61	2.41	0.04	1.74	2.39	0.40	2.46	1.72	3.35	4.08	4.67	3.94	ns
	-1	0.52	2.05	0.03	1.48	2.03	0.34	2.09	1.47	2.85	3.47	3.97	3.35	ns

Notes:

1. Software default selection highlighted in gray.
2. For specific junction temperature and voltage supply levels, refer to [Table 2-5 on page 2-8](#) for derating values.

Table 2-52 • 3.3 V LVTTTL / 3.3 V LVCMOS Low Slew
Military-Case Conditions: $T_J = 125^\circ\text{C}$, Worst-Case $V_{CC} = 1.425\text{ V}$, Worst-Case $V_{CCI} = 3.0\text{ V}$
Applicable to Advanced I/O Banks for A3P1000 Only

Drive Strength	Speed Grade	t_{DOUT}	t_{DP}	t_{DIN}	t_{PY}	t_{EOUT}	t_{ZL}	t_{ZH}	t_{LZ}	t_{HZ}	t_{ZLS}	t_{ZHS}	Units
4 mA	Std.	0.63	6.25	0.05	1.12	0.45	6.37	5.29	2.91	2.70	8.83	7.75	ns
	-1	0.54	5.32	0.04	0.95	0.39	5.42	4.50	2.47	2.30	7.51	6.59	ns
6 mA	Std.	0.63	5.25	0.05	1.12	0.45	5.35	4.58	3.28	3.34	7.81	7.04	ns
	-1	0.54	4.47	0.04	0.95	0.39	4.55	3.90	2.79	2.85	6.65	5.99	ns
8 mA	Std.	0.63	5.25	0.05	1.12	0.45	5.35	4.58	3.28	3.34	7.81	7.04	ns
	-1	0.54	4.47	0.04	0.95	0.39	4.55	3.90	2.79	2.85	6.65	5.99	ns
12 mA	Std.	0.63	4.50	0.05	1.12	0.45	4.59	4.05	3.53	3.76	7.05	6.51	ns
	-1	0.54	3.83	0.04	0.95	0.39	3.90	3.45	3.00	3.20	5.99	5.54	ns
16 mA	Std.	0.63	4.27	0.05	1.12	0.45	4.35	3.93	3.58	3.86	6.81	6.39	ns
	-1	0.54	3.63	0.04	0.95	0.39	3.70	3.34	3.05	3.29	5.79	5.43	ns
24 mA	Std.	0.63	4.14	0.05	1.12	0.45	4.22	3.97	3.65	4.27	6.68	6.43	ns
	-1	0.54	3.53	0.04	0.95	0.39	3.59	3.38	3.10	3.63	5.68	5.47	ns

Note: For specific junction temperature and voltage supply levels, refer to Table 2-6 on page 2-8 for derating values.

Table 2-53 • 3.3 V LVTTTL / 3.3 V LVCMOS High Slew
Military-Case Conditions: $T_J = 125^\circ\text{C}$, Worst-Case $V_{CC} = 1.425\text{ V}$, Worst-Case $V_{CCI} = 3.0\text{ V}$
Applicable to Advanced I/O Banks for A3P1000 Only

Drive Strength	Speed Grade	t_{DOUT}	t_{DP}	t_{DIN}	t_{PY}	t_{EOUT}	t_{ZL}	t_{ZH}	t_{LZ}	t_{HZ}	t_{ZLS}	t_{ZHS}	Units
4 mA	Std.	0.63	3.55	0.05	1.12	0.45	3.62	2.79	2.91	2.87	6.07	5.25	ns
	-1	0.54	3.02	0.04	0.95	0.39	3.08	2.37	2.48	2.44	5.17	4.46	ns
6 mA	Std.	0.63	2.95	0.05	1.12	0.45	3.00	2.25	3.28	3.52	5.46	4.71	ns
	-1	0.54	2.51	0.04	0.95	0.39	2.55	1.91	2.79	3.00	4.65	4.01	ns
8 mA	Std.	0.63	2.95	0.05	1.12	0.45	3.00	2.25	3.28	3.52	5.46	4.71	ns
	-1	0.54	2.51	0.04	0.95	0.39	2.55	1.91	2.79	3.00	4.65	4.01	ns
12 mA	Std.	0.63	2.64	0.05	1.12	0.45	2.68	1.99	3.53	3.94	5.14	4.45	ns
	-1	0.54	2.24	0.04	0.95	0.39	2.28	1.70	3.00	3.35	4.38	3.79	ns
16 mA	Std.	0.63	2.58	0.05	1.12	0.45	2.63	1.95	3.59	4.05	5.09	4.41	ns
	-1	0.54	2.20	0.04	0.95	0.39	2.24	1.66	3.05	3.44	4.33	3.75	ns
24 mA	Std.	0.63	2.61	0.05	1.12	0.45	2.66	1.89	3.66	4.46	5.12	4.35	ns
	-1	0.54	2.22	0.04	0.95	0.39	2.26	1.61	3.11	3.80	4.35	3.70	ns

Notes:

1. Software default selection highlighted in gray.
2. For specific junction temperature and voltage supply levels, refer to Table 2-6 on page 2-8 for derating values.



Table 2-54 • 3.3 V LVTTTL / 3.3 V LVCMOS Low Slew
 Military-Case Conditions: $T_J = 125^\circ\text{C}$, Worst-Case $V_{CC} = 1.425\text{ V}$, Worst-Case $V_{CCI} = 3.0\text{ V}$
 Applicable to Standard Plus I/O Banks for A3P1000 Only

Drive Strength	Speed Grade	t_{DOUT}	t_{DP}	t_{DIN}	t_{PY}	t_{EOUT}	t_{ZL}	t_{ZH}	t_{LZ}	t_{HZ}	t_{ZLS}	t_{ZHS}	Units
4 mA	Std.	0.63	5.64	0.05	1.10	0.45	5.74	4.78	2.50	2.43	8.20	7.24	ns
	-1	0.54	4.79	0.04	0.94	0.39	4.88	4.06	2.13	2.07	6.98	6.16	ns
6 mA	Std.	0.63	4.64	0.05	1.10	0.45	4.73	4.16	2.84	3.01	7.19	6.62	ns
	-1	0.54	3.95	0.04	0.94	0.39	4.02	3.54	2.42	2.56	6.11	5.63	ns
8 mA	Std.	0.63	4.64	0.05	1.10	0.45	4.73	4.16	2.84	3.01	7.19	6.62	ns
	-1	0.54	3.95	0.04	0.94	0.39	4.02	3.54	2.42	2.56	6.11	5.63	ns
12 mA	Std.	0.63	3.94	0.05	1.10	0.45	4.01	3.67	3.07	3.39	6.47	6.13	ns
	-1	0.54	3.35	0.04	0.94	0.39	3.41	3.12	2.61	2.88	5.51	5.21	ns
16 mA	Std.	0.63	3.94	0.05	1.10	0.45	4.01	3.67	3.07	3.39	6.47	6.13	ns
	-1	0.54	3.35	0.04	0.94	0.39	3.41	3.12	2.61	2.88	5.51	5.21	ns

Note: For specific junction temperature and voltage supply levels, refer to [Table 2-6 on page 2-8](#) for derating values.

Table 2-55 • 3.3 V LVTTTL / 3.3 V LVCMOS High Slew
 Military-Case Conditions: $T_J = 125^\circ\text{C}$, Worst-Case $V_{CC} = 1.425\text{ V}$, Worst-Case $V_{CCI} = 3.0\text{ V}$
 Applicable to Standard Plus I/O Banks for A3P1000 Only

Drive Strength	Speed Grade	t_{DOUT}	t_{DP}	t_{DIN}	t_{PY}	t_{EOUT}	t_{ZL}	t_{ZH}	t_{LZ}	t_{HZ}	t_{ZLS}	t_{ZHS}	Units
4 mA	Std.	0.63	3.07	0.05	1.10	0.45	3.13	2.46	2.50	2.57	5.59	4.91	ns
	-1	0.54	2.61	0.04	0.94	0.39	2.66	2.09	2.13	2.19	4.75	4.18	ns
6 mA	Std.	0.63	2.51	0.05	1.10	0.45	2.55	1.97	2.84	3.16	5.01	4.43	ns
	-1	0.54	2.13	0.04	0.94	0.39	2.17	1.67	2.41	2.69	4.26	3.76	ns
8 mA	Std.	0.63	2.51	0.05	1.10	0.45	2.55	1.97	2.84	3.16	5.01	4.43	ns
	-1	0.54	2.13	0.04	0.94	0.39	2.17	1.67	2.41	2.69	4.26	3.76	ns
12 mA	Std.	0.63	2.24	0.05	1.10	0.45	2.28	1.72	3.07	3.54	4.74	4.18	ns
	-1	0.54	1.90	0.04	0.94	0.39	1.94	1.47	2.61	3.01	4.03	3.56	ns
16 mA	Std.	0.63	2.24	0.05	1.10	0.45	2.28	1.72	3.07	3.54	4.74	4.18	ns
	-1	0.54	1.90	0.04	0.94	0.39	1.94	1.47	2.61	3.01	4.03	3.56	ns

Notes:

1. Software default selection highlighted in gray.
2. For specific junction temperature and voltage supply levels, refer to [Table 2-6 on page 2-8](#) for derating values.

2.5 V LVCMOS

Low-Voltage CMOS for 2.5 V is an extension of the LVCMOS standard (JESD8-5) used for general-purpose 2.5 V applications. It uses a 5 V-tolerant input buffer and push-pull output buffer.

Table 2-56 • Minimum and Maximum DC Input and Output Levels
Applicable to Pro I/Os for A3PE600L and A3PE3000L Only

2.5 V LVCMOS	V _{IL}		V _{IH}		V _{OL}	V _{OH}	I _{OL}	I _{OH}	I _{OSL}	I _{OSH}	I _{IL}	I _{IH}
	Min., V	Max., V	Min., V	Max., V	Max., V	Min., V	mA	mA	Max., mA ¹	Max., mA ¹	μA ²	μA ²
4 mA	-0.3	0.7	1.7	2.7	0.7	1.7	4	4	16	18	15	15
8 mA	-0.3	0.7	1.7	2.7	0.7	1.7	8	8	32	37	15	15
12 mA	-0.3	0.7	1.7	2.7	0.7	1.7	12	12	65	74	15	15
16 mA	-0.3	0.7	1.7	2.7	0.7	1.7	16	16	83	87	15	15
24 mA	-0.3	0.7	1.7	2.7	0.7	1.7	24	24	169	124	15	15

Notes:

1. Currents are measured at 100°C junction temperature and maximum voltage.
2. Currents are measured at 125°C junction temperature.
3. Software default selection highlighted in gray.

Table 2-57 • Minimum and Maximum DC Input and Output Levels
Applicable to Advanced I/O Banks for A3P1000 Only

2.5 V LVCMOS	V _{IL}		V _{IH}		V _{OL}	V _{OH}	I _{OL}	I _{OH}	I _{OSL}	I _{OSH}	I _{IL}	I _{IH}
	Min., V	Max., V	Min., V	Max., V	Max., V	Min., V	mA	mA	Max., mA ¹	Max., mA ¹	μA ²	μA ²
2 mA	-0.3	0.7	1.7	2.7	0.7	1.7	2	2	16	18	15	15
4 mA	-0.3	0.7	1.7	2.7	0.7	1.7	4	4	16	18	15	15
6 mA	-0.3	0.7	1.7	2.7	0.7	1.7	6	6	32	37	15	15
8 mA	-0.3	0.7	1.7	2.7	0.7	1.7	8	8	32	37	15	15
12 mA	-0.3	0.7	1.7	2.7	0.7	1.7	12	12	65	74	15	15
16 mA	-0.3	0.7	1.7	2.7	0.7	1.7	16	16	83	87	15	15
24 mA	-0.3	0.7	1.7	2.7	0.7	1.7	24	24	169	124	15	15

Notes:

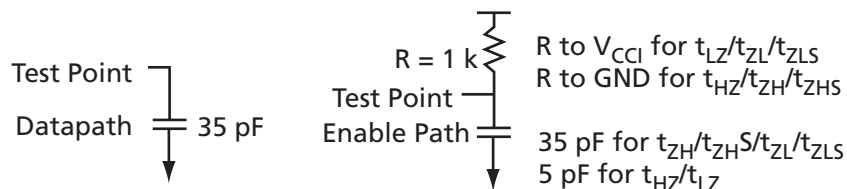
1. Currents are measured at 100°C junction temperature and maximum voltage.
2. Currents are measured at 125°C junction temperature.
3. Software default selection highlighted in gray.

Table 2-58 • Minimum and Maximum DC Input and Output Levels
 Applicable to Standard Plus I/O Banks for A3P1000 Only

2.5 V LVCMOS	V_{IL}		V_{IH}		V_{OL}	V_{OH}	I_{OL}	I_{OH}	I_{OSL}	I_{OSH}	I_{IL}	I_{IH}
	Min., V	Max., V	Min., V	Max., V	Max., V	Min., V	mA	mA	Max., mA ¹	Max., mA ¹	μA^2	μA^2
2 mA	-0.3	0.7	1.7	2.7	0.7	1.7	2	2	16	18	15	15
4 mA	-0.3	0.7	1.7	2.7	0.7	1.7	4	4	16	18	15	15
6 mA	-0.3	0.7	1.7	2.7	0.7	1.7	6	6	32	37	15	15
8 mA	-0.3	0.7	1.7	2.7	0.7	1.7	8	8	32	37	15	15
12 mA	-0.3	0.7	1.7	2.7	0.7	1.7	12	12	65	74	15	15

Notes:

1. Currents are measured at 100°C junction temperature and maximum voltage.
2. Currents are measured at 125°C junction temperature.
3. Software default selection highlighted in gray.


Figure 2-9 • AC Loading
Table 2-59 • AC Waveforms, Measuring Points, and Capacitive Loads

Input LOW (V)	Input HIGH (V)	Measuring Point* (V)	C_{LOAD} (pF)
0	2.5	1.2	5

* Measuring point = V_{trip} . See [Table 2-27 on page 2-27](#) for a complete table of trip points.

Timing Characteristics

1.2 V DC Core Voltage

Table 2-60 • 2.5 V LVC MOS Low Slew

**Military-Case Conditions: $T_J = 125^\circ\text{C}$, Worst-Case $V_{CC} = 1.14\text{ V}$, Worst-Case $V_{CCI} = 2.3\text{ V}$
Applicable to Pro I/Os for A3PE600L and A3PE3000L Only**

Drive Strength	Speed Grade	t_{DOUT}	t_{DP}	t_{DIN}	t_{PY}	t_{PYS}	t_{EOUT}	t_{ZL}	t_{ZH}	t_{LZ}	t_{HZ}	t_{ZLS}	t_{ZHS}	Units
4 mA	Std.	0.61	6.86	0.04	2.04	2.54	0.40	6.99	5.83	2.69	2.17	9.20	8.04	ns
	-1	0.52	5.84	0.03	1.74	2.16	0.34	5.95	4.96	2.29	1.85	7.83	6.84	ns
8 mA	Std.	0.61	5.61	0.04	2.04	2.54	0.40	5.72	4.94	3.07	2.90	7.93	7.15	ns
	-1	0.52	4.77	0.03	1.74	2.16	0.34	4.86	4.20	2.61	2.47	6.75	6.08	ns
12 mA	Std.	0.61	4.72	0.04	2.04	2.54	0.40	4.81	4.30	3.33	3.36	7.02	6.51	ns
	-1	0.52	4.02	0.03	1.74	2.16	0.34	4.09	3.66	2.84	2.86	5.98	5.54	ns
16 mA	Std.	0.61	4.45	0.04	2.04	2.54	0.40	4.53	4.16	3.39	3.49	6.75	6.37	ns
	-1	0.52	3.79	0.03	1.74	2.16	0.34	3.86	3.54	2.88	2.97	5.74	5.42	ns
24 mA	Std.	0.61	4.33	0.04	2.04	2.54	0.40	4.41	4.18	3.46	3.96	6.63	6.39	ns
	-1	0.52	3.69	0.03	1.74	2.16	0.34	3.76	3.55	2.94	3.37	5.64	5.43	ns

Note: For specific junction temperature and voltage supply levels, refer to [Table 2-5 on page 2-8](#) for derating values.

Table 2-61 • 2.5 V LVC MOS High Slew

**Military-Case Conditions: $T_J = 125^\circ\text{C}$, Worst-Case $V_{CC} = 1.14\text{ V}$, Worst-Case $V_{CCI} = 2.3\text{ V}$
Applicable to Pro I/Os for A3PE600L and A3PE3000L Only**

Drive Strength	Speed Grade	t_{DOUT}	t_{DP}	t_{DIN}	t_{PY}	t_{PYS}	t_{EOUT}	t_{ZL}	t_{ZH}	t_{LZ}	t_{HZ}	t_{ZLS}	t_{ZHS}	Units
4 mA	Std.	0.80	3.50	0.05	2.04	2.54	0.52	3.57	3.13	2.69	2.26	5.78	5.34	ns
	-1	0.68	2.98	0.05	1.74	2.16	0.44	3.03	2.66	2.29	1.93	4.92	4.54	ns
8 mA	Std.	0.80	2.87	0.05	2.04	2.54	0.52	2.92	2.41	3.07	3.00	5.13	4.62	ns
	-1	0.68	2.44	0.05	1.74	2.16	0.44	2.48	2.05	2.61	2.55	4.37	3.93	ns
12 mA	Std.	0.80	2.49	0.05	2.04	2.54	0.52	2.53	2.05	3.33	3.46	4.75	4.26	ns
	-1	0.68	2.12	0.05	1.74	2.16	0.44	2.16	1.74	2.84	2.94	4.04	3.63	ns
16 mA	Std.	0.80	2.42	0.05	2.04	2.54	0.52	2.47	1.99	3.39	3.59	4.68	4.20	ns
	-1	0.68	2.06	0.05	1.74	2.16	0.44	2.10	1.69	2.88	3.05	3.98	3.57	ns
24 mA	Std.	0.80	2.43	0.05	2.04	2.54	0.52	2.48	1.90	3.46	4.07	4.69	4.11	ns
	-1	0.68	2.07	0.05	1.74	2.16	0.44	2.11	1.61	2.94	3.46	3.99	3.50	ns

Notes:

1. Software default selection highlighted in gray.
2. For specific junction temperature and voltage supply levels, refer to [Table 2-5 on page 2-8](#) for derating values.



1.5 V DC Core Voltage
Table 2-62 • 2.5 V LVCMOS Low Slew

 Military-Case Conditions: $T_J = 125^\circ\text{C}$, $V_{CC} = 1.425\text{ V}$, Worst-Case $V_{CCI} = 2.3\text{ V}$
 Applicable to Pro I/Os for A3PE600L and A3PE3000L Only

Drive Strength	Speed Grade	t_{DOUT}	t_{DP}	t_{DIN}	t_{PY}	t_{PYS}	t_{EOUT}	t_{ZL}	t_{ZH}	t_{LZ}	t_{HZ}	t_{ZLS}	t_{ZHS}	Units
4 mA	Std.	0.61	6.86	0.04	2.04	2.54	0.40	6.99	5.83	2.69	2.17	9.20	8.04	ns
	-1	0.52	5.84	0.03	1.74	2.16	0.34	5.95	4.96	2.29	1.85	7.83	6.84	ns
8 mA	Std.	0.61	5.61	0.04	2.04	2.54	0.40	5.72	4.94	3.07	2.90	7.93	7.15	ns
	-1	0.52	4.77	0.03	1.74	2.16	0.34	4.86	4.20	2.61	2.47	6.75	6.08	ns
12 mA	Std.	0.61	4.72	0.04	2.04	2.54	0.40	4.81	4.30	3.33	3.36	7.02	6.51	ns
	-1	0.52	4.02	0.03	1.74	2.16	0.34	4.09	3.66	2.84	2.86	5.98	5.54	ns
16 mA	Std.	0.61	4.45	0.04	2.04	2.54	0.40	4.53	4.16	3.39	3.49	6.75	6.37	ns
	-1	0.52	3.79	0.03	1.74	2.16	0.34	3.86	3.54	2.88	2.97	5.74	5.42	ns
24 mA	Std.	0.61	4.33	0.04	2.04	2.54	0.40	4.41	4.18	3.46	3.96	6.63	6.39	ns
	-1	0.52	3.69	0.03	1.74	2.16	0.34	3.76	3.55	2.94	3.37	5.64	5.43	ns

Note: For specific junction temperature and voltage supply levels, refer to [Table 2-5 on page 2-8](#) for derating values.

Table 2-63 • 2.5 V LVCMOS High Slew

 Military-Case Conditions: $T_J = 125^\circ\text{C}$, $V_{CC} = 1.425\text{ V}$, Worst-Case $V_{CCI} = 2.3\text{ V}$
 Applicable to Pro I/Os for A3PE600L and A3PE3000L Only

Drive Strength	Speed Grade	t_{DOUT}	t_{DP}	t_{DIN}	t_{PY}	t_{PYS}	t_{EOUT}	t_{ZL}	t_{ZH}	t_{LZ}	t_{HZ}	t_{ZLS}	t_{ZHS}	Units
4 mA	Std.	0.61	3.50	0.04	2.04	2.54	0.40	3.57	3.13	2.69	2.26	5.78	5.34	ns
	-1	0.52	2.98	0.03	1.74	2.16	0.34	3.03	2.66	2.29	1.93	4.92	4.54	ns
8 mA	Std.	0.61	2.87	0.04	2.04	2.54	0.40	2.92	2.41	3.07	3.00	5.13	4.62	ns
	-1	0.52	2.44	0.03	1.74	2.16	0.34	2.48	2.05	2.61	2.55	4.37	3.93	ns
12 mA	Std.	0.61	2.49	0.04	2.04	2.54	0.40	2.53	2.05	3.33	3.46	4.75	4.26	ns
	-1	0.52	2.12	0.03	1.74	2.16	0.34	2.16	1.74	2.84	2.94	4.04	3.63	ns
16 mA	Std.	0.61	2.42	0.04	2.04	2.54	0.40	2.47	1.99	3.39	3.59	4.68	4.20	ns
	-1	0.52	2.06	0.03	1.74	2.16	0.34	2.10	1.69	2.88	3.05	3.98	3.57	ns
24 mA	Std.	0.61	2.43	0.04	2.04	2.54	0.40	2.48	1.90	3.46	4.07	4.69	4.11	ns
	-1	0.52	2.07	0.03	1.74	2.16	0.34	2.11	1.61	2.94	3.46	3.99	3.50	ns

Notes:

- Software default selection highlighted in gray.
- For specific junction temperature and voltage supply levels, refer to [Table 2-5 on page 2-8](#) for derating values.

Table 2-64 • 2.5 V LVC MOS Low Slew
 Military-Case Conditions: $T_J = 125^\circ\text{C}$, Worst-Case $V_{CC} = 1.425\text{ V}$, Worst-Case $V_{CCI} = 2.3\text{ V}$
 Applicable to Advanced I/O Banks for A3P1000 Only

Drive Strength	Speed Grade	t_{DOUT}	t_{DP}	t_{DIN}	t_{PY}	t_{EOUT}	t_{ZL}	t_{ZH}	t_{LZ}	t_{HZ}	t_{ZLS}	t_{ZHS}	Units
4 mA	Std.	0.63	7.07	0.05	1.44	0.45	7.20	6.32	2.95	2.43	9.66	8.78	ns
	-1	0.54	6.02	0.04	1.23	0.39	6.13	5.38	2.51	2.06	8.22	7.47	ns
6 mA	Std.	0.63	5.91	0.05	1.44	0.45	6.02	5.42	3.35	3.18	8.48	7.88	ns
	-1	0.54	5.03	0.04	1.23	0.39	5.12	4.61	2.85	2.70	7.21	6.70	ns
8 mA	Std.	0.63	5.91	0.05	1.44	0.45	6.02	5.42	3.35	3.18	8.48	7.88	ns
	-1	0.54	5.03	0.04	1.23	0.39	5.12	4.61	2.85	2.70	7.21	6.70	ns
12 mA	Std.	0.63	5.05	0.05	1.44	0.45	5.15	4.79	3.63	3.66	7.61	7.25	ns
	-1	0.54	4.30	0.04	1.23	0.39	4.38	4.07	3.09	3.11	6.47	6.17	ns
16 mA	Std.	0.63	4.78	0.05	1.44	0.45	4.86	4.65	3.70	3.78	7.32	7.10	ns
	-1	0.54	4.06	0.04	1.23	0.39	4.14	3.95	3.14	3.22	6.23	6.04	ns
24 mA	Std.	0.63	4.71	0.05	1.44	0.45	4.73	4.71	3.78	4.26	7.19	7.17	ns
	-1	0.54	4.01	0.04	1.23	0.39	4.03	4.01	3.21	3.62	6.12	6.10	ns

Note: For specific junction temperature and voltage supply levels, refer to Table 2-6 on page 2-8 for derating values.

Table 2-65 • 2.5 V LVC MOS High Slew
 Military-Case Conditions: $T_J = 125^\circ\text{C}$, Worst-Case $V_{CC} = 1.425\text{ V}$, Worst-Case $V_{CCI} = 2.3\text{ V}$
 Applicable to Advanced I/O Banks for A3P1000 Only

Drive Strength	Speed Grade	t_{DOUT}	t_{DP}	t_{DIN}	t_{PY}	t_{EOUT}	t_{ZL}	t_{ZH}	t_{LZ}	t_{HZ}	t_{ZLS}	t_{ZHS}	Units
4 mA	Std.	0.63	3.63	0.05	1.44	0.45	3.70	3.34	2.94	2.53	6.16	5.80	ns
	-1	0.54	3.09	0.04	1.23	0.39	3.15	2.84	2.51	2.16	5.24	4.94	ns
6 mA	Std.	0.63	2.99	0.05	1.44	0.45	3.04	2.59	3.35	3.30	5.50	5.05	ns
	-1	0.54	2.54	0.04	1.23	0.39	2.59	2.20	2.85	2.81	4.68	4.30	ns
8 mA	Std.	0.63	2.99	0.05	1.44	0.45	3.04	2.59	3.35	3.30	5.50	5.05	ns
	-1	0.54	2.54	0.04	1.23	0.39	2.59	2.20	2.85	2.81	4.68	4.30	ns
12 mA	Std.	0.63	2.65	0.05	1.44	0.45	2.70	2.23	3.63	3.78	5.16	4.69	ns
	-1	0.54	2.26	0.04	1.23	0.39	2.30	1.89	3.09	3.22	4.39	3.99	ns
16 mA	Std.	0.63	2.59	0.05	1.44	0.45	2.64	2.16	3.70	3.90	5.10	4.62	ns
	-1	0.54	2.21	0.04	1.23	0.39	2.25	1.83	3.15	3.32	4.34	3.93	ns
24 mA	Std.	0.63	2.61	0.05	1.44	0.45	2.66	2.08	3.78	4.40	5.12	4.54	ns
	-1	0.54	2.22	0.04	1.23	0.39	2.26	1.77	3.22	3.74	4.35	3.87	ns

Notes:

1. Software default selection highlighted in gray.
2. For specific junction temperature and voltage supply levels, refer to Table 2-6 on page 2-8 for derating values.



Table 2-66 • 2.5 V LVCMOS Low Slew

Military-Case Conditions: $T_J = 125^\circ\text{C}$, Worst-Case $V_{CC} = 1.425\text{ V}$, Worst-Case $V_{CCI} = 2.3\text{ V}$
 Applicable to Standard Plus I/O Banks for A3P1000 Only

Drive Strength	Speed Grade	t_{DOUT}	t_{DP}	t_{DIN}	t_{PY}	t_{EOUT}	t_{ZL}	t_{ZH}	t_{LZ}	t_{HZ}	t_{ZLS}	t_{ZHS}	Units
4 mA	Std.	0.63	6.45	0.05	1.43	0.45	6.56	5.71	2.48	2.19	9.02	8.17	ns
	-1	0.54	5.48	0.04	1.21	0.39	5.58	4.86	2.11	1.86	7.68	6.95	ns
6 mA	Std.	0.63	5.28	0.05	1.43	0.45	5.38	4.92	2.85	2.88	7.84	7.38	ns
	-1	0.54	4.50	0.04	1.21	0.39	4.58	4.19	2.42	2.45	6.67	6.28	ns
8 mA	Std.	0.63	5.28	0.05	1.43	0.45	5.38	4.92	2.85	2.88	7.84	7.38	ns
	-1	0.54	4.50	0.04	1.21	0.39	4.58	4.19	2.42	2.45	6.67	6.28	ns
12 mA	Std.	0.63	4.48	0.05	1.43	0.45	4.56	4.35	3.11	3.31	7.02	6.81	ns
	-1	0.54	3.81	0.04	1.21	0.39	3.88	3.70	2.65	2.82	5.97	5.79	ns

Note: For specific junction temperature and voltage supply levels, refer to Table 2-6 on page 2-8 for derating values.

Table 2-67 • 2.5 V LVCMOS High Slew

Military-Case Conditions: $T_J = 125^\circ\text{C}$, Worst-Case $V_{CC} = 1.425\text{ V}$, Worst-Case $V_{CCI} = 2.3\text{ V}$
 Applicable to Standard Plus I/O Banks for A3P1000 Only

Drive Strength	Speed Grade	t_{DOUT}	t_{DP}	t_{DIN}	t_{PY}	t_{EOUT}	t_{ZL}	t_{ZH}	t_{LZ}	t_{HZ}	t_{ZLS}	t_{ZHS}	Units
4 mA	Std.	0.63	3.18	0.05	1.43	0.45	3.23	2.92	2.48	2.28	5.69	5.38	ns
	-1	0.54	2.70	0.04	1.21	0.39	2.75	2.48	2.11	1.94	4.84	4.58	ns
6 mA	Std.	0.63	2.57	0.05	1.43	0.45	2.62	2.24	2.84	2.98	5.08	4.70	ns
	-1	0.54	2.19	0.04	1.21	0.39	2.23	1.90	2.42	2.54	4.32	4.00	ns
8 mA	Std.	0.63	2.57	0.05	1.43	0.45	2.62	2.24	2.84	2.98	5.08	4.70	ns
	-1	0.54	2.19	0.04	1.21	0.39	2.23	1.90	2.42	2.54	4.32	4.00	ns
12 mA	Std.	0.63	2.28	0.05	1.43	0.45	2.32	1.90	3.11	3.42	4.78	4.36	ns
	-1	0.54	1.94	0.04	1.21	0.39	1.97	1.62	2.64	2.91	4.07	3.71	ns

Notes:

1. Software default selection highlighted in gray.
2. For specific junction temperature and voltage supply levels, refer to Table 2-6 on page 2-8 for derating values.

1.8 V LVCMOS

Low-voltage CMOS for 1.8 V is an extension of the LVCMOS standard (JESD8-5) used for general-purpose 1.8 V applications. It uses a 1.8 V input buffer and a push-pull output buffer.

Table 2-68 • Minimum and Maximum DC Input and Output Levels
Applicable to Pro I/Os for A3PE600L and A3PE3000L Only

1.8 V LVCMOS	V _{IL}		V _{IH}		V _{OL}	V _{OH}	I _{OL}	I _{OH}	I _{OSL}	I _{OSH}	I _{IL}	I _{IH}
	Min., V	Max., V	Min., V	Max., V	Max., V	Min., V	mA	mA	Max., mA ¹	Max., mA ¹	μA ²	μA ²
2 mA	-0.3	0.35 * V _{CC1}	0.65 * V _{CC1}	1.9	0.45	V _{CC1} - 0.45	2	2	9	11	15	15
4 mA	-0.3	0.35 * V _{CC1}	0.65 * V _{CC1}	1.9	0.45	V _{CC1} - 0.45	4	4	17	22	15	15
6 mA	-0.3	0.35 * V _{CC1}	0.65 * V _{CC1}	1.9	0.45	V _{CC1} - 0.45	6	6	35	44	15	15
8 mA	-0.3	0.35 * V _{CC1}	0.65 * V _{CC1}	1.9	0.45	V _{CC1} - 0.45	8	8	45	51	15	15
12 mA	-0.3	0.35 * V _{CC1}	0.65 * V _{CC1}	1.9	0.45	V _{CC1} - 0.45	12	12	91	74	15	15
16 mA	-0.3	0.35 * V _{CC1}	0.65 * V _{CC1}	1.9	0.45	V _{CC1} - 0.45	16	16	91	74	15	15

Notes:

1. Currents are measured at 100°C junction temperature and maximum voltage.
2. Currents are measured at 125°C junction temperature.
3. Software default selection highlighted in gray.

Table 2-69 • Minimum and Maximum DC Input and Output Levels
Applicable to Advanced I/O Banks for A3P1000 Only

1.8 V LVCMOS	V _{IL}		V _{IH}		V _{OL}	V _{OH}	I _{OL}	I _{OH}	I _{OSL}	I _{OSH}	I _{IL}	I _{IH}
	Min., V	Max., V	Min., V	Max., V	Max., V	Min., V	mA	mA	Max., mA ¹	Max., mA ¹	μA ²	μA ²
2 mA	-0.3	0.35 * V _{CC1}	0.65 * V _{CC1}	1.9	0.45	V _{CC1} - 0.45	2	2	9	11	15	15
4 mA	-0.3	0.35 * V _{CC1}	0.65 * V _{CC1}	1.9	0.45	V _{CC1} - 0.45	4	4	17	22	15	15
6 mA	-0.3	0.35 * V _{CC1}	0.65 * V _{CC1}	1.9	0.45	V _{CC1} - 0.45	6	6	35	44	15	15
8 mA	-0.3	0.35 * V _{CC1}	0.65 * V _{CC1}	1.9	0.45	V _{CC1} - 0.45	8	8	45	51	15	15
12 mA	-0.3	0.35 * V _{CC1}	0.65 * V _{CC1}	1.9	0.45	V _{CC1} - 0.45	12	12	91	74	15	15
16 mA	-0.3	0.35 * V _{CC1}	0.65 * V _{CC1}	1.9	0.45	V _{CC1} - 0.45	16	16	91	74	15	15

Notes:

1. Currents are measured at 100°C junction temperature and maximum voltage.
2. Currents are measured at 125°C junction temperature.
3. Software default selection highlighted in gray.

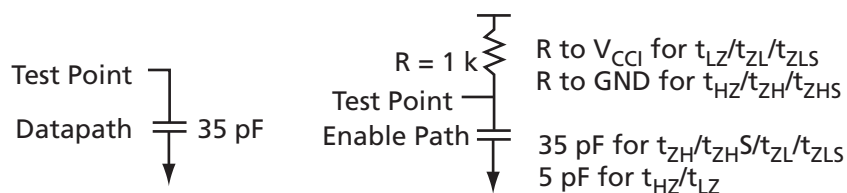


**Table 2-70 • Minimum and Maximum DC Input and Output Levels
Applicable to Standard Plus I/O I/O Banks**

1.8 V LVCMOS	V_{IL}		V_{IH}		V_{OL}	V_{OH}	I_{OL}	I_{OH}	I_{OSL}	I_{OSH}	I_{IL}	I_{IH}
	Min., V	Max., V	Min., V	Max., V	Max., V	Min., V	mA	mA	Max., mA ¹	Max., mA ¹	μA^2	μA^2
2 mA	-0.3	$0.35 * V_{CC1}$	$0.65 * V_{CC1}$	1.9	0.45	$V_{CC1} - 0.45$	2	2	9	11	15	15
4 mA	-0.3	$0.35 * V_{CC1}$	$0.65 * V_{CC1}$	1.9	0.45	$V_{CC1} - 0.45$	4	4	17	22	15	15
6 mA	-0.3	$0.35 * V_{CC1}$	$0.65 * V_{CC1}$	1.9	0.45	$V_{CC1} - 0.45$	6	6	35	44	15	15
8 mA	-0.3	$0.35 * V_{CC1}$	$0.65 * V_{CC1}$	1.9	0.45	$V_{CC1} - 0.45$	8	8	35	44	15	15

Notes:

1. Currents are measured at 100°C junction temperature and maximum voltage.
2. Currents are measured at 125°C junction temperature.
3. Software default selection highlighted in gray.


Figure 2-10 • AC Loading
Table 2-71 • AC Waveforms, Measuring Points, and Capacitive Loads

Input LOW (V)	Input HIGH (V)	Measuring Point* (V)	C_{LOAD} (pF)
0	1.8	0.9	5

* Measuring point = V_{trip} . See Table 2-27 on page 2-27 for a complete table of trip points.

Timing Characteristics

1.2 V DC Core Voltage

Table 2-72 • 1.8 V LVC MOS Low Slew
 Military-Case Conditions: $T_J = 125^\circ\text{C}$, Worst-Case $V_{CC} = 1.14\text{ V}$, Worst-Case $V_{CCI} = 1.7\text{ V}$
 Applicable to Pro I/Os for A3PE600L and A3PE3000L Only

Drive Strength	Speed Grade	t_{DOUT}	t_{DP}	t_{DIN}	t_{PY}	t_{PYS}	t_{EOUT}	t_{ZL}	t_{ZH}	t_{LZ}	t_{HZ}	t_{ZLS}	t_{ZHS}	Units
2 mA	Std.	0.80	9.15	0.05	1.98	2.80	0.52	9.32	7.69	2.75	1.57	11.54	9.90	ns
	-1	0.68	7.79	0.05	1.69	2.38	0.44	7.93	6.54	2.34	1.33	9.81	8.42	ns
4 mA	Std.	0.80	7.54	0.05	1.98	2.80	0.52	7.68	6.48	3.22	2.74	9.89	8.69	ns
	-1	0.68	6.41	0.05	1.69	2.38	0.44	6.53	5.51	2.74	2.33	8.42	7.39	ns
6 mA	Std.	0.80	6.39	0.05	1.98	2.80	0.52	6.51	5.65	3.53	3.32	8.72	7.86	ns
	-1	0.68	5.44	0.05	1.69	2.38	0.44	5.54	4.80	3.00	2.83	7.42	6.69	ns
8 mA	Std.	0.80	6.01	0.05	1.98	2.80	0.52	6.12	5.48	3.60	3.49	8.33	7.70	ns
	-1	0.68	5.11	0.05	1.69	2.38	0.44	5.20	4.66	3.07	2.97	7.09	6.55	ns
12 mA	Std.	0.80	5.89	0.05	1.98	2.80	0.52	6.00	5.49	3.70	4.07	8.22	7.71	ns
	-1	0.68	5.01	0.05	1.69	2.38	0.44	5.11	4.67	3.15	3.46	6.99	6.56	ns
16 mA	Std.	0.80	5.89	0.05	1.98	2.80	0.52	6.00	5.49	3.70	4.07	8.22	7.71	ns
	-1	0.68	5.01	0.05	1.69	2.38	0.44	5.11	4.67	3.15	3.46	6.99	6.56	ns

Note: For specific junction temperature and voltage supply levels, refer to Table 2-5 on page 2-8 for derating values.

Table 2-73 • 1.8 V LVC MOS High Slew
 Military-Case Conditions: $T_J = 125^\circ\text{C}$, Worst-Case $V_{CC} = 1.14\text{ V}$, Worst-Case $V_{CCI} = 1.7\text{ V}$
 Applicable to Pro I/Os for A3PE600L and A3PE3000L Only

Drive Strength	Speed Grade	t_{DOUT}	t_{DP}	t_{DIN}	t_{PY}	t_{PYS}	t_{EOUT}	t_{ZL}	t_{ZH}	t_{LZ}	t_{HZ}	t_{ZLS}	t_{ZHS}	Units
2 mA	Std.	0.80	4.14	0.05	1.98	2.80	0.52	4.21	4.05	2.75	1.62	6.43	6.27	ns
	-1	0.68	3.52	0.05	1.69	2.38	0.44	3.58	3.45	2.34	1.38	5.47	5.33	ns
4 mA	Std.	0.80	3.35	0.05	1.98	2.80	0.52	3.42	3.01	3.22	2.84	5.63	5.22	ns
	-1	0.68	2.85	0.05	1.69	2.38	0.44	2.91	2.56	2.74	2.41	4.79	4.44	ns
6 mA	Std.	0.80	2.87	0.05	1.98	2.80	0.52	2.93	2.49	3.53	3.43	5.14	4.71	ns
	-1	0.68	2.44	0.05	1.69	2.38	0.44	2.49	2.12	3.00	2.92	4.37	4.00	ns
8 mA	Std.	0.80	2.78	0.05	1.98	2.80	0.52	2.83	2.40	3.60	3.59	5.05	4.61	ns
	-1	0.68	2.37	0.05	1.69	2.38	0.44	2.41	2.04	3.06	3.05	4.29	3.92	ns
12 mA	Std.	0.80	2.77	0.05	1.98	2.80	0.52	2.82	2.28	3.70	4.19	5.03	4.49	ns
	-1	0.68	2.36	0.05	1.69	2.38	0.44	2.40	1.94	3.14	3.57	4.28	3.82	ns
16 mA	Std.	0.80	2.77	0.05	1.98	2.80	0.52	2.82	2.28	3.70	4.19	5.03	4.49	ns
	-1	0.68	2.36	0.05	1.69	2.38	0.44	2.40	1.94	3.14	3.57	4.28	3.82	ns

Notes:

1. Software default selection highlighted in gray.
2. For specific junction temperature and voltage supply levels, refer to Table 2-5 on page 2-8 for derating values.



1.5 V DC Core Voltage
Table 2-74 • 1.8 V LVC MOS Low Slew

 Military-Case Conditions: $T_J = 125^\circ\text{C}$, $V_{CC} = 1.425\text{ V}$, Worst-Case $V_{CCI} = 1.7\text{ V}$
 Applicable to Pro I/Os for A3PE600L and A3PE3000L Only

Drive Strength	Speed Grade	t_{DOUT}	t_{DP}	t_{DIN}	t_{PY}	t_{PYS}	t_{EOUT}	t_{ZL}	t_{ZH}	t_{LZ}	t_{HZ}	t_{ZLS}	t_{ZHS}	Units
2 mA	Std.	0.61	9.15	0.04	1.98	2.80	0.40	9.32	7.69	2.75	1.57	11.54	9.90	ns
	-1	0.52	7.79	0.03	1.69	2.38	0.34	7.93	6.54	2.34	1.33	9.81	8.42	ns
4 mA	Std.	0.61	7.54	0.04	1.98	2.80	0.40	7.68	6.48	3.22	2.74	9.89	8.69	ns
	-1	0.52	6.41	0.03	1.69	2.38	0.34	6.53	5.51	2.74	2.33	8.42	7.39	ns
6 mA	Std.	0.61	6.39	0.04	1.98	2.80	0.40	6.51	5.65	3.53	3.32	8.72	7.86	ns
	-1	0.52	5.44	0.03	1.69	2.38	0.34	5.54	4.80	3.00	2.83	7.42	6.69	ns
8 mA	Std.	0.61	6.01	0.04	1.98	2.80	0.40	6.12	5.48	3.60	3.49	8.33	7.70	ns
	-1	0.52	5.11	0.03	1.69	2.38	0.34	5.20	4.66	3.07	2.97	7.09	6.55	ns
12 mA	Std.	0.61	5.89	0.04	1.98	2.80	0.40	6.00	5.49	3.70	4.07	8.22	7.71	ns
	-1	0.52	5.01	0.03	1.69	2.38	0.34	5.11	4.67	3.15	3.46	6.99	6.56	ns
16 mA	Std.	0.61	5.89	0.04	1.98	2.80	0.40	6.00	5.49	3.70	4.07	8.22	7.71	ns
	-1	0.52	5.01	0.03	1.69	2.38	0.34	5.11	4.67	3.15	3.46	6.99	6.56	ns

Note: For specific junction temperature and voltage supply levels, refer to Table 2-5 on page 2-8 for derating values.

Table 2-75 • 1.8 V LVC MOS High Slew

 Military-Case Conditions: $T_J = 125^\circ\text{C}$, $V_{CC} = 1.425\text{ V}$, Worst-Case $V_{CCI} = 1.7\text{ V}$
 Applicable to Pro I/Os for A3PE600L and A3PE3000L Only

Drive Strength	Speed Grade	t_{DOUT}	t_{DP}	t_{DIN}	t_{PY}	t_{PYS}	t_{EOUT}	t_{ZL}	t_{ZH}	t_{LZ}	t_{HZ}	t_{ZLS}	t_{ZHS}	Units
2 mA	Std.	0.61	4.14	0.04	1.98	2.80	0.40	4.21	4.05	2.75	1.62	6.43	6.27	ns
	-1	0.52	3.52	0.03	1.69	2.38	0.34	3.58	3.45	2.34	1.38	5.47	5.33	ns
4 mA	Std.	0.61	3.35	0.04	1.98	2.80	0.40	3.42	3.01	3.22	2.84	5.63	5.22	ns
	-1	0.52	2.85	0.03	1.69	2.38	0.34	2.91	2.56	2.74	2.41	4.79	4.44	ns
6 mA	Std.	0.61	2.87	0.04	1.98	2.80	0.40	2.93	2.49	3.53	3.43	5.14	4.71	ns
	-1	0.52	2.44	0.03	1.69	2.38	0.34	2.49	2.12	3.00	2.92	4.37	4.00	ns
8 mA	Std.	0.61	2.78	0.04	1.98	2.80	0.40	2.83	2.40	3.60	3.59	5.05	4.61	ns
	-1	0.52	2.37	0.03	1.69	2.38	0.34	2.41	2.04	3.06	3.05	4.29	3.92	ns
12 mA	Std.	0.61	2.77	0.04	1.98	2.80	0.40	2.82	2.28	3.70	4.19	5.03	4.49	ns
	-1	0.52	2.36	0.03	1.69	2.38	0.34	2.40	1.94	3.14	3.57	4.28	3.82	ns
16 mA	Std.	0.61	2.77	0.04	1.98	2.80	0.40	2.82	2.28	3.70	4.19	5.03	4.49	ns
	-1	0.52	2.36	0.03	1.69	2.38	0.34	2.40	1.94	3.14	3.57	4.28	3.82	ns

Notes:

1. Software default selection highlighted in gray.
2. For specific junction temperature and voltage supply levels, refer to Table 2-5 on page 2-8 for derating values.

Table 2-76 • 1.8 V LVC MOS Low Slew
Military-Case Conditions: $T_J = 125^\circ\text{C}$, Worst-Case $V_{CC} = 1.425\text{ V}$, Worst-Case $V_{CCI} = 1.7\text{ V}$
Applicable to Advanced I/O Banks for A3P1000 Only

Drive Strength	Speed Grade	t_{DOUT}	t_{DP}	t_{DIN}	t_{PY}	t_{EOUT}	t_{ZL}	t_{ZH}	t_{LZ}	t_{HZ}	t_{ZLS}	t_{ZHS}	Units
2 mA	Std.	0.63	9.50	0.05	1.44	0.45	9.68	8.31	3.06	1.76	12.14	10.77	ns
	-1	0.54	8.08	0.04	1.23	0.39	8.23	7.07	2.60	1.50	10.32	9.16	ns
4 mA	Std.	0.63	7.80	0.05	1.44	0.45	7.95	7.06	3.55	3.01	10.41	9.52	ns
	-1	0.54	6.64	0.04	1.23	0.39	6.76	6.00	3.02	2.56	8.85	8.10	ns
6 mA	Std.	0.63	6.70	0.05	1.44	0.45	6.82	6.25	3.89	3.60	9.28	8.70	ns
	-1	0.54	5.70	0.04	1.23	0.39	5.80	5.31	3.31	3.06	7.90	7.40	ns
8 mA	Std.	0.63	6.31	0.05	1.44	0.45	6.43	6.07	3.97	3.75	8.89	8.53	ns
	-1	0.54	5.37	0.04	1.23	0.39	5.47	5.17	3.37	3.19	7.56	7.26	ns
12 mA	Std.	0.63	6.18	0.05	1.44	0.45	6.30	6.15	4.08	4.34	8.76	8.61	ns
	-1	0.54	5.26	0.04	1.23	0.39	5.36	5.23	3.47	3.70	7.45	7.32	ns
16 mA	Std.	0.63	6.18	0.05	1.44	0.45	6.30	6.15	4.08	4.34	8.76	8.61	ns
	-1	0.54	5.26	0.04	1.23	0.39	5.36	5.23	3.47	3.70	7.45	7.32	ns

Note: For specific junction temperature and voltage supply levels, refer to Table 2-6 on page 2-8 for derating values.

Table 2-77 • 1.8 V LVC MOS High Slew
Military-Case Conditions: $T_J = 125^\circ\text{C}$, Worst-Case $V_{CC} = 1.425\text{ V}$, Worst-Case $V_{CCI} = 1.7\text{ V}$
Applicable to Advanced I/O Banks for A3P1000 Only

Drive Strength	Speed Grade	t_{DOUT}	t_{DP}	t_{DIN}	t_{PY}	t_{EOUT}	t_{ZL}	t_{ZH}	t_{LZ}	t_{HZ}	t_{ZLS}	t_{ZHS}	Units
2 mA	Std.	0.63	4.40	0.05	1.34	0.45	4.48	4.30	3.05	1.82	6.94	6.76	ns
	-1	0.54	3.74	0.04	1.14	0.39	3.81	3.66	2.59	1.55	5.90	5.75	ns
4 mA	Std.	0.63	3.44	0.05	1.34	0.45	3.50	3.23	3.54	3.12	5.96	5.69	ns
	-1	0.54	2.92	0.04	1.14	0.39	2.98	2.75	3.01	2.66	5.07	4.84	ns
6 mA	Std.	0.63	3.02	0.05	1.34	0.45	3.07	2.70	3.88	3.72	5.53	5.16	ns
	-1	0.54	2.57	0.04	1.14	0.39	2.61	2.30	3.30	3.16	4.71	4.39	ns
8 mA	Std.	0.63	2.94	0.05	1.34	0.45	2.99	2.60	3.96	3.87	5.45	5.06	ns
	-1	0.54	2.50	0.04	1.14	0.39	2.54	2.21	3.37	3.30	4.64	4.31	ns
12 mA	Std.	0.63	2.93	0.05	1.34	0.45	2.98	2.49	4.07	4.49	5.44	4.95	ns
	-1	0.54	2.49	0.04	1.14	0.39	2.54	2.12	3.46	3.82	4.63	4.21	ns
16 mA	Std.	0.63	2.93	0.05	1.34	0.45	2.98	2.49	4.07	4.49	5.44	4.95	ns
	-1	0.54	2.49	0.04	1.14	0.39	2.54	2.12	3.46	3.82	4.63	4.21	ns

Notes:

1. Software default selection highlighted in gray.
2. For specific junction temperature and voltage supply levels, refer to Table 2-6 on page 2-8 for derating values.



Table 2-78 • 1.8 V LVCMOS Low Slew

Military-Case Conditions: $T_J = 125^\circ\text{C}$, Worst-Case $V_{CC} = 1.425\text{ V}$, Worst-Case $V_{CCI} = 1.7\text{ V}$
 Applicable to Standard Plus I/O Banks for A3P1000 Only

Drive Strength	Speed Grade	t_{DOUT}	t_{DP}	t_{DIN}	t_{PY}	t_{EOUT}	t_{ZL}	t_{ZH}	t_{LZ}	t_{HZ}	t_{ZLS}	t_{ZHS}	Units
2 mA	Std.	0.63	8.81	0.05	1.43	0.45	8.98	7.51	2.48	1.61	11.44	9.97	ns
	-1	0.54	7.50	0.04	1.21	0.39	7.64	6.39	2.11	1.37	9.73	8.48	ns
4 mA	Std.	0.63	7.10	0.05	1.43	0.45	7.23	6.43	2.92	2.75	9.69	8.89	ns
	-1	0.54	6.04	0.04	1.21	0.39	6.15	5.47	2.48	2.34	8.24	7.56	ns
6 mA	Std.	0.63	6.06	0.05	1.43	0.45	6.17	5.68	3.23	3.29	8.63	8.14	ns
	-1	0.54	5.16	0.04	1.21	0.39	5.25	4.84	2.75	2.80	7.34	6.93	ns
8 mA	Std.	0.63	6.06	0.05	1.43	0.45	6.17	5.68	3.23	3.29	8.63	8.14	ns
	-1	0.54	5.16	0.04	1.21	0.39	5.25	4.84	2.75	2.80	7.34	6.93	ns

Note: For specific junction temperature and voltage supply levels, refer to Table 2-6 on page 2-8 for derating values.

Table 2-79 • 1.8 V LVCMOS High Slew

Military-Case Conditions: $T_J = 125^\circ\text{C}$, Worst-Case $V_{CC} = 1.425\text{ V}$, Worst-Case $V_{CCI} = 1.7\text{ V}$
 Applicable to Standard Plus I/O Banks for A3P1000 Only

Drive Strength	Speed Grade	t_{DOUT}	t_{DP}	t_{DIN}	t_{PY}	t_{EOUT}	t_{ZL}	t_{ZH}	t_{LZ}	t_{HZ}	t_{ZLS}	t_{ZHS}	Units
2 mA	Std.	0.63	3.94	0.05	1.32	0.45	4.01	3.72	2.47	1.67	6.47	6.18	ns
	-1	0.54	3.35	0.04	1.12	0.39	3.41	3.16	2.10	1.42	5.51	5.26	ns
4 mA	Std.	0.63	3.03	0.05	1.32	0.45	3.09	2.75	2.91	2.86	5.55	5.21	ns
	-1	0.54	2.58	0.04	1.12	0.39	2.63	2.34	2.48	2.44	4.72	4.43	ns
6 mA	Std.	0.63	2.65	0.05	1.32	0.45	2.70	2.27	3.22	3.41	5.16	4.73	ns
	-1	0.54	2.26	0.04	1.12	0.39	2.30	1.93	2.74	2.90	4.39	4.02	ns
8 mA	Std.	0.63	2.65	0.05	1.32	0.45	2.70	2.27	3.22	3.41	5.16	4.73	ns
	-1	0.54	2.26	0.04	1.12	0.39	2.30	1.93	2.74	2.90	4.39	4.02	ns

Notes:

1. Software default selection highlighted in gray.
2. For specific junction temperature and voltage supply levels, refer to Table 2-6 on page 2-8 for derating values.

1.5 V LVCMOS (JESD8-11)

Low-Voltage CMOS for 1.5 V is an extension of the LVCMOS standard (JESD8-5) used for general-purpose 1.5 V applications. It uses a 1.5 V input buffer and a push-pull output buffer.

Table 2-80 • Minimum and Maximum DC Input and Output Levels
Applicable to Pro I/Os for A3PE600L and A3PE3000L Only

1.5 V LVCMOS	V_{IL}		V_{IH}		V_{OL}	V_{OH}	I_{OL}	I_{OH}	I_{OSL}	I_{OSH}	I_{IL}	I_{IH}
	Min., V	Max., V	Min., V	Max., V	Max., V	Min., V	mA	mA	Max., mA ¹	Max., mA ¹	μA^2	μA^2
2 mA	-0.3	$0.35 * V_{CC1}$	$0.65 * V_{CC1}$	1.575	$0.25 * V_{CC1}$	$0.75 * V_{CC1}$	2	2	13	16	15	15
4 mA	-0.3	$0.35 * V_{CC1}$	$0.65 * V_{CC1}$	1.575	$0.25 * V_{CC1}$	$0.75 * V_{CC1}$	4	4	25	33	15	15
6 mA	-0.3	$0.35 * V_{CC1}$	$0.65 * V_{CC1}$	1.575	$0.25 * V_{CC1}$	$0.75 * V_{CC1}$	6	6	32	39	15	15
8 mA	-0.3	$0.35 * V_{CC1}$	$0.65 * V_{CC1}$	1.575	$0.25 * V_{CC1}$	$0.75 * V_{CC1}$	8	8	66	55	15	15
12 mA	-0.3	$0.35 * V_{CC1}$	$0.65 * V_{CC1}$	1.575	$0.25 * V_{CC1}$	$0.75 * V_{CC1}$	12	12	66	55	15	15

Notes:

1. Currents are measured at 100°C junction temperature and maximum voltage.
2. Currents are measured at 125°C junction temperature.
3. Software default selection highlighted in gray.

Table 2-81 • Minimum and Maximum DC Input and Output Levels
Applicable to Advanced I/O Banks for A3P1000 Only

1.5 V LVCMOS	V_{IL}		V_{IH}		V_{OL}	V_{OH}	I_{OL}	I_{OH}	I_{OSL}	I_{OSH}	I_{IL}	I_{IH}
	Min., V	Max., V	Min., V	Max., V	Max., V	Min., V	mA	mA	Max., mA ¹	Max., mA ¹	μA^2	μA^2
2 mA	-0.3	$0.35 * V_{CC1}$	$0.65 * V_{CC1}$	1.575	$0.25 * V_{CC1}$	$0.75 * V_{CC1}$	2	2	13	16	15	15
4 mA	-0.3	$0.35 * V_{CC1}$	$0.65 * V_{CC1}$	1.575	$0.25 * V_{CC1}$	$0.75 * V_{CC1}$	4	4	25	33	15	15
6 mA	-0.3	$0.35 * V_{CC1}$	$0.65 * V_{CC1}$	1.575	$0.25 * V_{CC1}$	$0.75 * V_{CC1}$	6	6	32	39	15	15
8 mA	-0.3	$0.35 * V_{CC1}$	$0.65 * V_{CC1}$	1.575	$0.25 * V_{CC1}$	$0.75 * V_{CC1}$	8	8	66	55	15	15
12 mA	-0.3	$0.35 * V_{CC1}$	$0.65 * V_{CC1}$	1.575	$0.25 * V_{CC1}$	$0.75 * V_{CC1}$	12	12	66	55	15	15

Notes:

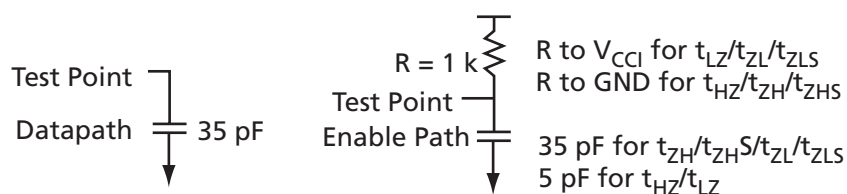
1. Currents are measured at 100°C junction temperature and maximum voltage.
2. Currents are measured at 125°C junction temperature.
3. Software default selection highlighted in gray.

Table 2-82 • Minimum and Maximum DC Input and Output Levels
 Applicable to Standard Plus I/O Banks for A3P1000 Only

1.5 V LVCMOS	V_{IL}		V_{IH}		V_{OL}	V_{OH}	I_{OL}	I_{OH}	I_{OSL}	I_{OSH}	I_{IL}	I_{IH}
	Min., V	Max., V	Min., V	Max., V	Max., V	Min., V	mA	mA	Max., mA ¹	Max., mA ¹	μA^2	μA^2
2 mA	-0.3	$0.35 * V_{CC1}$	$0.65 * V_{CC1}$	1.575	$0.25 * V_{CC1}$	$0.75 * V_{CC1}$	2	2	13	16	15	15
4 mA	-0.3	$0.35 * V_{CC1}$	$0.65 * V_{CC1}$	1.575	$0.25 * V_{CC1}$	$0.75 * V_{CC1}$	4	4	25	33	15	15

Notes:

1. Currents are measured at 100°C junction temperature and maximum voltage.
2. Currents are measured at 125°C junction temperature.
3. Software default selection highlighted in gray.


Figure 2-11 • AC Loading
Table 2-83 • AC Waveforms, Measuring Points, and Capacitive Loads

Input LOW (V)	Input HIGH (V)	Measuring Point* (V)	C_{LOAD} (pF)
0	1.5	0.75	5

* Measuring point = V_{trip} . See Table 2-27 on page 2-27 for a complete table of trip points.

Timing Characteristics

1.2 V DC Core Voltage

Table 2-84 • 1.5 V LVC MOS Low Slew

**Military-Case Conditions: $T_J = 125^\circ\text{C}$, Worst-Case $V_{CC} = 1.14\text{ V}$, Worst-Case $V_{CCI} = 1.4\text{ V}$
Applicable to Pro I/Os for A3PE600L and A3PE3000L Only**

Drive Strength	Speed Grade	t_{DOUT}	t_{DP}	t_{DIN}	t_{PY}	t_{PYS}	t_{EOUT}	t_{ZL}	t_{ZH}	t_{LZ}	t_{HZ}	t_{ZLS}	t_{ZHS}	Units
2 mA	Std.	0.80	9.52	0.05	2.19	3.05	0.52	9.69	7.89	3.37	2.65	11.91	10.10	ns
	-1	0.68	8.10	0.05	1.86	2.59	0.44	8.25	6.71	2.87	2.26	10.13	8.59	ns
4 mA	Std.	0.80	8.14	0.05	2.19	3.05	0.52	8.29	6.89	3.73	3.32	10.50	9.10	ns
	-1	0.68	6.92	0.05	1.86	2.59	0.44	7.05	5.86	3.17	2.83	8.93	7.74	ns
6 mA	Std.	0.80	7.64	0.05	2.19	3.05	0.52	7.78	6.70	3.80	3.51	9.99	8.92	ns
	-1	0.68	6.50	0.05	1.86	2.59	0.44	6.62	5.70	3.24	2.99	8.50	7.59	ns
8 mA	Std.	0.80	7.54	0.05	2.19	3.05	0.52	7.68	6.71	3.93	4.18	9.89	8.92	ns
	-1	0.68	6.41	0.05	1.86	2.59	0.44	6.53	5.71	3.34	3.55	8.41	7.59	ns
12 mA	Std.	0.80	7.54	0.05	2.19	3.05	0.52	7.68	6.71	3.93	4.18	9.89	8.92	ns
	-1	0.68	6.41	0.05	1.86	2.59	0.44	6.53	5.71	3.34	3.55	8.41	7.59	ns

Note: For specific junction temperature and voltage supply levels, refer to [Table 2-5 on page 2-8](#) for derating values.

Table 2-85 • 1.5 V LVC MOS High Slew

**Military-Case Conditions: $T_J = 125^\circ\text{C}$, Worst-Case $V_{CC} = 1.14\text{ V}$, Worst-Case $V_{CCI} = 1.4\text{ V}$
Applicable to Pro I/Os for A3PE600L and A3PE3000L Only**

Drive Strength	Speed Grade	t_{DOUT}	t_{DP}	t_{DIN}	t_{PY}	t_{PYS}	t_{EOUT}	t_{ZL}	t_{ZH}	t_{LZ}	t_{HZ}	t_{ZLS}	t_{ZHS}	Units
2 mA	Std.	0.80	3.91	0.05	2.19	3.05	0.52	3.98	3.54	3.36	2.76	6.19	5.76	ns
	-1	0.68	3.32	0.05	1.86	2.59	0.44	3.38	3.01	2.86	2.35	5.27	4.90	ns
4 mA	Std.	0.80	3.33	0.05	2.19	3.05	0.52	3.39	2.90	3.71	3.44	5.61	5.12	ns
	-1	0.68	2.83	0.05	1.86	2.59	0.44	2.89	2.47	3.16	2.93	4.77	4.35	ns
6 mA	Std.	0.80	3.22	0.05	2.19	3.05	0.52	3.28	2.78	3.80	3.63	5.49	5.00	ns
	-1	0.68	2.74	0.05	1.86	2.59	0.44	2.79	2.37	3.23	3.09	4.67	4.25	ns
8 mA	Std.	0.80	3.18	0.05	2.19	3.05	0.52	3.24	2.63	3.92	4.33	5.46	4.85	ns
	-1	0.68	2.71	0.05	1.86	2.59	0.44	2.76	2.24	3.34	3.68	4.64	4.12	ns
12 mA	Std.	0.80	3.18	0.05	2.19	3.05	0.52	3.24	2.63	3.92	4.33	5.46	4.85	ns
	-1	0.68	2.71	0.05	1.86	2.59	0.44	2.76	2.24	3.34	3.68	4.64	4.12	ns

Notes:

1. Software default selection highlighted in gray.
2. For specific junction temperature and voltage supply levels, refer to [Table 2-5 on page 2-8](#) for derating values.



1.5 V DC Core Voltage
Table 2-86 • 1.5 V LVC MOS Low Slew

 Military-Case Conditions: $T_J = 125^\circ\text{C}$, $V_{CC} = 1.425\text{ V}$, Worst-Case $V_{CCI} = 1.4\text{ V}$
 Applicable to Pro I/Os for A3PE600L and A3PE3000L Only

Drive Strength	Speed Grade	t_{DOUT}	t_{DP}	t_{DIN}	t_{PY}	t_{PYS}	t_{EOUT}	t_{ZL}	t_{ZH}	t_{LZ}	t_{HZ}	t_{ZLS}	t_{ZHS}	Units
2 mA	Std.	0.61	9.52	0.04	2.19	3.05	0.40	9.69	7.89	3.37	2.65	11.91	10.10	ns
	-1	0.52	8.10	0.03	1.86	2.59	0.34	8.25	6.71	2.87	2.26	10.13	8.59	ns
4 mA	Std.	0.61	8.14	0.04	2.19	3.05	0.40	8.29	6.89	3.73	3.32	10.50	9.10	ns
	-1	0.52	6.92	0.03	1.86	2.59	0.34	7.05	5.86	3.17	2.83	8.93	7.74	ns
6 mA	Std.	0.61	7.64	0.04	2.19	3.05	0.40	7.78	6.70	3.80	3.51	9.99	8.92	ns
	-1	0.52	6.50	0.03	1.86	2.59	0.34	6.62	5.70	3.24	2.99	8.50	7.59	ns
8 mA	Std.	0.61	7.54	0.04	2.19	3.05	0.40	7.68	6.71	3.93	4.18	9.89	8.92	ns
	-1	0.52	6.41	0.03	1.86	2.59	0.34	6.53	5.71	3.34	3.55	8.41	7.59	ns
12 mA	Std.	0.61	7.54	0.04	2.19	3.05	0.40	7.68	6.71	3.93	4.18	9.89	8.92	ns
	-1	0.52	6.41	0.03	1.86	2.59	0.34	6.53	5.71	3.34	3.55	8.41	7.59	ns

Note: For specific junction temperature and voltage supply levels, refer to [Table 2-5 on page 2-8](#) for derating values.

Table 2-87 • 1.5 V LVC MOS High Slew

 Military-Case Conditions: $T_J = 125^\circ\text{C}$, $V_{CC} = 1.425\text{ V}$, Worst-Case $V_{CCI} = 1.4\text{ V}$
 Applicable to Pro I/Os for A3PE600L and A3PE3000L Only

Drive Strength	Speed Grade	t_{DOUT}	t_{DP}	t_{DIN}	t_{PY}	t_{PYS}	t_{EOUT}	t_{ZL}	t_{ZH}	t_{LZ}	t_{HZ}	t_{ZLS}	t_{ZHS}	Units
2 mA	Std.	0.61	3.91	0.04	2.19	3.05	0.40	3.98	3.54	3.36	2.76	6.19	5.76	ns
	-1	0.52	3.32	0.03	1.86	2.59	0.34	3.38	3.01	2.86	2.35	5.27	4.90	ns
4 mA	Std.	0.61	3.33	0.04	2.19	3.05	0.40	3.39	2.90	3.71	3.44	5.61	5.12	ns
	-1	0.52	2.83	0.03	1.86	2.59	0.34	2.89	2.47	3.16	2.93	4.77	4.35	ns
6 mA	Std.	0.61	3.22	0.04	2.19	3.05	0.40	3.28	2.78	3.80	3.63	5.49	5.00	ns
	-1	0.52	2.74	0.03	1.86	2.59	0.34	2.79	2.37	3.23	3.09	4.67	4.25	ns
8 mA	Std.	0.61	3.18	0.04	2.19	3.05	0.40	3.24	2.63	3.92	4.33	5.46	4.85	ns
	-1	0.52	2.71	0.03	1.86	2.59	0.34	2.76	2.24	3.34	3.68	4.64	4.12	ns
12 mA	Std.	0.61	3.18	0.04	2.19	3.05	0.40	3.24	2.63	3.92	4.33	5.46	4.85	ns
	-1	0.52	2.71	0.03	1.86	2.59	0.34	2.76	2.24	3.34	3.68	4.64	4.12	ns

Notes:

1. Software default selection highlighted in gray.
2. For specific junction temperature and voltage supply levels, refer to [Table 2-5 on page 2-8](#) for derating values.

Table 2-88 • 1.5 V LVCMOS Low Slew
 Military-Case Conditions: $T_J = 125^\circ\text{C}$, Worst-Case $V_{CC} = 1.425\text{ V}$, Worst-Case $V_{CCI} = 1.4\text{ V}$
 Applicable to Advanced I/O Banks for A3P1000 Only

Drive Strength	Speed Grade	t_{DOUT}	t_{DP}	t_{DIN}	t_{PY}	t_{EOUT}	t_{ZL}	t_{ZH}	t_{LZ}	t_{HZ}	t_{ZLS}	t_{ZHS}	Units
2 mA	Std.	0.63	9.78	0.05	1.44	0.45	9.96	8.57	3.74	2.91	12.42	11.03	ns
	-1	0.54	8.32	0.04	1.23	0.39	8.47	7.29	3.18	2.47	10.56	9.38	ns
4 mA	Std.	0.63	8.44	0.05	1.44	0.45	8.60	7.59	4.12	3.60	11.06	10.05	ns
	-1	0.54	7.18	0.04	1.23	0.39	7.32	6.46	3.51	3.06	9.41	8.55	ns
6 mA	Std.	0.63	7.95	0.05	1.44	0.45	8.10	7.39	4.21	3.78	10.56	9.85	ns
	-1	0.54	6.77	0.04	1.23	0.39	6.89	6.29	3.58	3.21	8.98	8.38	ns
8 mA	Std.	0.63	7.84	0.05	1.44	0.45	7.98	7.47	4.35	4.45	10.44	9.92	ns
	-1	0.54	6.67	0.04	1.23	0.39	6.79	6.35	3.70	3.79	8.88	8.44	ns
12 mA	Std.	0.63	7.84	0.05	1.44	0.45	7.98	7.47	4.35	4.45	10.44	9.92	ns
	-1	0.54	6.67	0.04	1.23	0.39	6.79	6.35	3.70	3.79	8.88	8.44	ns

Note: For specific junction temperature and voltage supply levels, refer to [Table 2-6 on page 2-8](#) for derating values.

Table 2-89 • 1.5 V LVCMOS High Slew
 Military-Case Conditions: $T_J = 125^\circ\text{C}$, Worst-Case $V_{CC} = 1.425\text{ V}$, Worst-Case $V_{CCI} = 1.4\text{ V}$
 Applicable to Advanced I/O Banks for A3P1000 Only

Drive Strength	Speed Grade	t_{DOUT}	t_{DP}	t_{DIN}	t_{PY}	t_{EOUT}	t_{ZL}	t_{ZH}	t_{LZ}	t_{HZ}	t_{ZLS}	t_{ZHS}	Units
2 mA	Std.	0.63	3.98	0.05	1.58	0.45	4.06	3.80	3.73	3.04	6.52	6.26	ns
	-1	0.54	3.39	0.04	1.35	0.39	3.45	3.23	3.17	2.59	5.54	5.32	ns
4 mA	Std.	0.63	3.47	0.05	1.58	0.45	3.53	3.15	4.11	3.74	5.99	5.61	ns
	-1	0.54	2.95	0.04	1.35	0.39	3.01	2.68	3.50	3.18	5.10	4.77	ns
6 mA	Std.	0.63	3.37	0.05	1.58	0.45	3.43	3.02	4.20	3.92	5.89	5.48	ns
	-1	0.54	2.87	0.04	1.35	0.39	2.92	2.57	3.57	3.33	5.01	4.66	ns
8 mA	Std.	0.63	3.35	0.05	1.58	0.45	3.41	2.88	4.34	4.62	5.87	5.34	ns
	-1	0.54	2.85	0.04	1.35	0.39	2.90	2.45	3.69	3.93	4.99	4.55	ns
12 mA	Std.	0.63	3.35	0.05	1.58	0.45	3.41	2.88	4.34	4.62	5.87	5.34	ns
	-1	0.54	2.85	0.04	1.35	0.39	2.90	2.45	3.69	3.93	4.99	4.55	ns

Notes:

1. Software default selection highlighted in gray.
2. For specific junction temperature and voltage supply levels, refer to [Table 2-6 on page 2-8](#) for derating values.



Table 2-90 • 1.5 V LVCMOS Low SlewMilitary-Case Conditions: $T_J = 125^\circ\text{C}$, Worst-Case $V_{CC} = 1.425\text{ V}$, Worst-Case $V_{CCI} = 1.4\text{ V}$

Applicable to Standard Plus I/O Banks for A3P1000 Only

Drive Strength	Speed Grade	t_{DOUT}	t_{DP}	t_{DIN}	t_{PY}	t_{EOUT}	t_{ZL}	t_{ZH}	t_{LZ}	t_{HZ}	t_{ZLS}	t_{ZHS}	Units
2 mA	Std.	0.63	8.94	0.05	1.43	0.45	9.11	7.80	2.99	2.67	11.57	10.26	ns
	-1	0.54	7.61	0.04	1.21	0.39	7.75	6.64	2.54	2.27	9.84	8.73	ns
4 mA	Std.	0.63	7.68	0.05	1.43	0.45	7.83	6.91	3.34	3.30	10.29	9.37	ns
	-1	0.54	6.54	0.04	1.21	0.39	6.66	5.88	2.84	2.80	8.75	7.97	ns

Note: For specific junction temperature and voltage supply levels, refer to [Table 2-6 on page 2-8](#) for derating values.

Table 2-91 • 1.5 V LVCMOS High SlewMilitary-Case Conditions: $T_J = 125^\circ\text{C}$, Worst-Case $V_{CC} = 1.425\text{ V}$, Worst-Case $V_{CCI} = 1.4\text{ V}$

Applicable to Standard Plus I/O Banks for A3P1000 Only

Drive Strength	Speed Grade	t_{DOUT}	t_{DP}	t_{DIN}	t_{PY}	t_{EOUT}	t_{ZL}	t_{ZH}	t_{LZ}	t_{HZ}	t_{ZLS}	t_{ZHS}	Units
2 mA	Std.	0.63	3.55	0.05	1.56	0.45	3.61	3.22	2.98	2.80	6.07	5.68	ns
	-1	0.54	3.02	0.04	1.33	0.39	3.07	2.74	2.54	2.39	5.16	4.83	ns
4 mA	Std.	0.63	3.09	0.05	1.56	0.45	3.14	2.62	3.34	3.44	5.60	5.08	ns
	-1	0.54	2.62	0.04	1.33	0.39	2.67	2.23	2.84	2.93	4.77	4.32	ns

Notes:

1. Software default selection highlighted in gray.
2. For specific junction temperature and voltage supply levels, refer to [Table 2-6 on page 2-8](#) for derating values.

1.2 V LVCMOS (JESD8-12A)

Low-Voltage CMOS for 1.2 V complies with the LVCMOS standard JESD8-12A for general purpose 1.2 V applications. It uses a 1.2 V input buffer and a push-pull output buffer.

Table 2-92 • Minimum and Maximum DC Input and Output Levels
Applicable to Pro I/O Banks for A3PE600L and A3PE3000L Operating at 1.2 V Core Voltage

1.2 V LVCMOS Drive Strength	V _{IL}		V _{IH}		V _{OL}	V _{OH}	I _{OL}	I _{OH}	I _{OSH} ¹	I _{OSL} ¹	I _{IL} ²	I _{IH} ²
	Min., V	Max., V	Min., V	Max., V	Max., V	Min., V	mA	mA	Max., mA	Max., mA	μA	μA
2 mA	-0.3	0.35 * V _{CC1}	0.65 * V _{CC1}	1.26	0.25 * V _{CC1}	0.75 * V _{CC1}	2	2	TBD	TBD	15	15

Notes:

1. Currents are measured at 100°C junction temperature and maximum voltage.
2. Currents are measured at 125°C junction temperature.
3. Software default selection highlighted in gray.

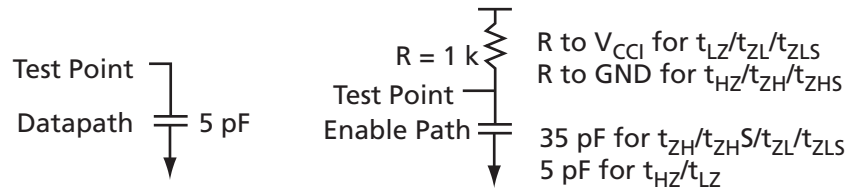


Figure 2-12 • AC Loading

Table 2-93 • AC Waveforms, Measuring Points, and Capacitive Loads

Input LOW (V)	Input HIGH (V)	Measuring Point* (V)	C _{LOAD} (pF)
0	1.2	0.6	5

* Measuring point = V_{trip}. See Table 2-27 on page 2-27 for a complete table of trip points.

Timing Characteristics

1.2 V DC Core Voltage

Table 2-94 • 1.2 V LVCMOS Low Slew

Military-Case Conditions: T_J = 125°C, Worst-Case V_{CC} = 1.14 V, Worst-Case V_{CC1} = 1.4 V
Applicable to Pro I/O Banks for A3PE600L and A3PE3000L Only

Drive Strength	Speed Grade	t _{DOUT}	t _{DP}	t _{DIN}	t _{PY}	t _{PYS}	t _{EOUT}	t _{ZL}	t _{ZH}	t _{LZ}	t _{HZ}	t _{ZLS}	t _{ZHS}	Units
2 mA	Std.	0.80	12.62	0.05	2.62	3.76	0.52	12.07	9.47	5.12	4.68	14.20	11.60	ns
	-1	0.68	10.73	0.05	2.23	3.20	0.44	10.27	8.05	4.36	3.98	12.08	9.87	ns

Note: For specific junction temperature and voltage supply levels, refer to Table 2-5 on page 2-8 for derating values.

Table 2-95 • 1.2 V LVCMOS High Slew

Military-Case Conditions: T_J = 125°C, Worst-Case V_{CC} = 1.14 V, Worst-Case V_{CC1} = 1.4 V
Applicable to Pro I/O Banks for A3PE600L and A3PE3000L Only

Drive Strength	Speed Grade	t _{DOUT}	t _{DP}	t _{DIN}	t _{PY}	t _{PYS}	t _{EOUT}	t _{ZL}	t _{ZH}	t _{LZ}	t _{HZ}	t _{ZLS}	t _{ZHS}	Units
2 mA	Std.	0.80	5.17	0.05	2.62	3.76	0.52	4.95	4.36	5.11	4.83	7.08	6.49	ns
	-1	0.68	4.40	0.05	2.23	3.20	0.44	4.21	3.71	4.35	4.11	6.02	5.52	ns

Notes:

1. Software default selection highlighted in gray.
2. For specific junction temperature and voltage supply levels, refer to Table 2-5 on page 2-8 for derating values.



3.3 V PCI, 3.3 V PCI-X

Peripheral Component Interface for 3.3 V standard specifies support for 33 MHz and 66 MHz PCI Bus applications.

Table 2-96 • Minimum and Maximum DC Input and Output Levels

3.3 V PCI/PCI-X Drive Strength	V _{IL}		V _{IH}		V _{OL}	V _{OH}	I _{OL}	I _{OH}	I _{OSL}	I _{OSH}	I _{IL}	I _{IH}
	Min, V	Max, V	Min, V	Max, V	Max, V	Min, V	mA	mA	Max, mA ¹	Max, mA ¹	μA ²	μA ²
Per PCI specification	Per PCI curves										15	15

Notes:

1. Currents are measured at 100°C junction temperature and maximum voltage.
2. Currents are measured at 125°C junction temperature.

AC loadings are defined per the PCI/PCI-X specifications for the database; Actel loadings for enable path characterization are described in [Figure 2-13](#).

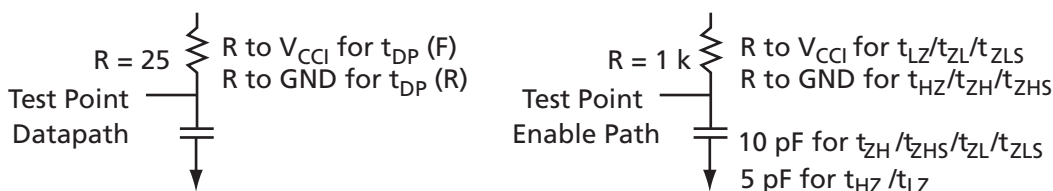


Figure 2-13 • AC Loading

AC loadings are defined per PCI/PCI-X specifications for the datapath; Actel loading for tristate is described in [Table 2-97](#).

Table 2-97 • AC Waveforms, Measuring Points, and Capacitive Loads

Input LOW (V)	Input HIGH (V)	Measuring Point* (V)	C _{LOAD} (pF)
0	3.3	0.285 * V _{CC1} for t _{DP(R)} 0.615 * V _{CC1} for t _{DP(F)}	10

* Measuring point = V_{trip}. See [Table 2-27](#) on [page 2-27](#) for a complete table of trip points.

Timing Characteristics

1.2 V DC Core Voltage

Table 2-98 • 3.3 V PCI/PCI-X

**Military-Case Conditions: $T_J = 125^\circ\text{C}$, Worst-Case $V_{CC} = 1.14\text{ V}$, Worst-Case $V_{CCI} = 3.0\text{ V}$
Applicable to Pro I/Os for A3PE600L and A3PE3000L Only**

Speed Grade	t _{DOUT}	t _{DP}	t _{DIN}	t _{PY}	t _{PYS}	t _{EOUT}	t _{ZL}	t _{ZH}	t _{LZ}	t _{HZ}	t _{ZLS}	t _{ZHS}	Units
Std.	0.80	2.78	0.05	2.72	3.67	0.52	2.83	1.98	3.24	3.58	5.04	4.19	ns
-1	0.68	2.36	0.05	2.31	3.12	0.44	2.41	1.68	2.76	3.04	4.29	3.56	ns

Note: For specific junction temperature and voltage supply levels, refer to [Table 2-5 on page 2-8](#) for derating values.

1.5 V DC Core Voltage

Table 2-99 • 3.3 V PCI/PCI-X

**Military-Case Conditions: $T_J = 125^\circ\text{C}$, $V_{CC} = 1.425\text{ V}$, Worst-Case $V_{CCI} = 3.0\text{ V}$
Applicable to Pro I/Os for A3PE600L and A3PE3000L Only**

Speed Grade	t _{DOUT}	t _{DP}	t _{DIN}	t _{PY}	t _{PYS}	t _{EOUT}	t _{ZL}	t _{ZH}	t _{LZ}	t _{HZ}	t _{ZLS}	t _{ZHS}	Units
Std.	0.61	2.78	0.04	2.72	3.67	0.40	2.83	1.98	3.24	3.58	5.04	4.19	ns
-1	0.52	2.36	0.03	2.31	3.12	0.34	2.41	1.68	2.76	3.04	4.29	3.56	ns

Note: For specific junction temperature and voltage supply levels, refer to [Table 2-5 on page 2-8](#) for derating values.

Table 2-100 • 3.3 V PCI/PCI-X

**Military-Case Conditions: $T_J = 125^\circ\text{C}$, Worst-Case $V_{CC} = 1.425\text{ V}$, Worst-Case $V_{CCI} = 3.0\text{ V}$
Applicable to Advanced I/O Banks for A3P1000 Only**

Speed Grade	t _{DOUT}	t _{DP}	t _{DIN}	t _{PY}	t _{PYS}	t _{EOUT}	t _{ZL}	t _{ZH}	t _{LZ}	t _{HZ}	t _{ZLS}	t _{ZHS}	Units
Std.	0.63	2.95	0.05	0.95	0.45	2.81	1.98	3.53	3.94	5.46	4.61	0.63	ns
-1	0.54	2.51	0.04	0.81	0.39	2.39	1.68	3.00	3.35	4.65	3.92	0.54	ns

Note: For specific junction temperature and voltage supply levels, refer to [Table 2-6 on page 2-8](#) for derating values.

Table 2-101 • 3.3 V PCI/PCI-X

**Military-Case Conditions: $T_J = 125^\circ\text{C}$, Worst-Case $V_{CC} = 1.425\text{ V}$, Worst-Case $V_{CCI} = 3.0\text{ V}$
Applicable to Standard Plus I/O Banks for A3P1000 Only**

Speed Grade	t _{DOUT}	t _{DP}	t _{DIN}	t _{PY}	t _{PYS}	t _{EOUT}	t _{ZL}	t _{ZH}	t _{LZ}	t _{HZ}	t _{ZLS}	t _{ZHS}	Units
Std.	0.63	2.54	0.05	0.94	0.45	2.39	1.71	3.07	3.54	5.04	4.33	0.63	ns
-1	0.54	2.16	0.04	0.80	0.39	2.03	1.45	2.61	3.01	4.29	3.69	0.54	ns

Note: For specific junction temperature and voltage supply levels, refer to [Table 2-6 on page 2-8](#) for derating values.



Voltage-Referenced I/O Characteristics

3.3 V GTL

Gunning Transceiver Logic is a high-speed bus standard (JESD8-3). It provides a differential amplifier input buffer and an open-drain output buffer. The V_{CCI} pin should be connected to 3.3 V.

Table 2-102 • Minimum and Maximum DC Input and Output Levels

3.3 V GTL Drive Strength	V_{IL}		V_{IH}		V_{OL}	V_{OH}	I_{OL}	I_{OH}	I_{OSL}	I_{OSH}	I_{IL}	I_{IH}
	Min., V	Max., V	Min., V	Max., V	Max., V	Min., V	mA	mA	Max., mA ¹	Max., mA ¹	μA^2	μA^2
25 mA ³	-0.3	$V_{REF} - 0.05$	$V_{REF} + 0.05$	3.6	0.4	-	25	25	268	181	15	15

Notes:

1. Currents are measured at 100°C junction temperature and maximum voltage.
2. Currents are measured at 125°C junction temperature.
3. Output drive strength is below JEDEC specification.

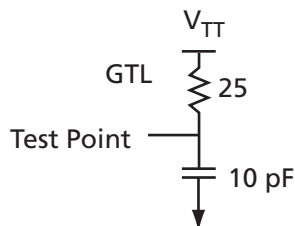


Figure 2-14 • AC Loading

Table 2-103 • AC Waveforms, Measuring Points, and Capacitive Loads

Input LOW (V)	Input HIGH (V)	Measuring Point* (V)	V_{REF} (typ.) (V)	V_{TT} (typ.) (V)	C_{LOAD} (pF)
$V_{REF} - 0.05$	$V_{REF} + 0.05$	0.8	0.8	1.2	10

* Measuring point = V_{trip} . See Table 2-27 on page 2-27 for a complete table of trip points.

Timing Characteristics

Table 2-104 • 3.3 V GTL

Military-Case Conditions: $T_J = 125^\circ\text{C}$, Worst-Case $V_{CC} = 1.14\text{ V}$,
Worst-Case $V_{CCI} = 3.0\text{ V}$, $V_{REF} = 0.8\text{ V}$
Applicable to Pro I/Os for A3PE600L and A3PE3000L Only

Speed Grade	t_{DOUT}	t_{DP}	t_{DIN}	t_{PY}	t_{EOUT}	t_{ZL}	t_{ZH}	t_{LZ}	t_{HZ}	t_{ZLS}	t_{ZHS}	Units
Std.	0.80	2.05	0.05	2.33	0.52	2.02	2.05			4.23	4.27	ns
-1	0.68	1.75	0.05	1.98	0.44	1.72	1.75			3.60	3.63	ns

Note: For specific junction temperature and voltage supply levels, refer to Table 2-5 on page 2-8 for derating values.

Table 2-105 • 3.3 V GTL

Military-Case Conditions: $T_J = 125^\circ\text{C}$, $V_{CC} = 1.425\text{ V}$,
Worst-Case $V_{CCI} = 3.0\text{ V}$, $V_{REF} = 0.8\text{ V}$
Applicable to Pro I/Os for A3PE600L and A3PE3000L Only

Speed Grade	t_{DOUT}	t_{DP}	t_{DIN}	t_{PY}	t_{EOUT}	t_{ZL}	t_{ZH}	t_{LZ}	t_{HZ}	t_{ZLS}	t_{ZHS}	Units
Std.	0.61	2.05	0.04	2.33	0.40	2.02	2.05			4.23	4.27	ns
-1	0.52	1.75	0.03	1.98	0.34	1.72	1.75			3.60	3.63	ns

Note: For specific junction temperature and voltage supply levels, refer to Table 2-5 on page 2-8 for derating values.

2.5 V GTL

Gunning Transceiver Logic is a high-speed bus standard (JESD8-3). It provides a differential amplifier input buffer and an open-drain output buffer. The V_{CCI} pin should be connected to 2.5 V.

Table 2-106 • Minimum and Maximum DC Input and Output Levels

2.5 GTL Drive Strength	V_{IL}		V_{IH}		V_{OL}	V_{OH}	I_{OL}	I_{OH}	I_{OSL}	I_{OSH}	I_{IL}	I_{IH}
	Min., V	Max., V	Min., V	Max., V	Max., V	Min., V	mA	mA	Max., mA ¹	Max., mA ¹	μA^2	μA^2
25 mA ³	-0.3	$V_{REF} - 0.05$	$V_{REF} + 0.05$	2.7	0.4	-	25	25	169	124	15	15

Notes:

1. Currents are measured at 100°C junction temperature and maximum voltage.
2. Currents are measured at 125°C junction temperature.
3. Output drive strength is below JEDEC specification.

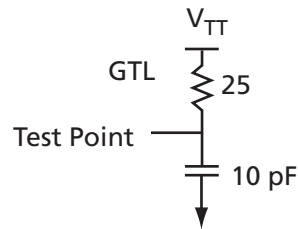


Figure 2-15 • AC Loading

Table 2-107 • AC Waveforms, Measuring Points, and Capacitive Loads

Input LOW (V)	Input HIGH (V)	Measuring Point* (V)	V_{REF} (typ.) (V)	V_{TT} (typ.) (V)	C_{LOAD} (pF)
$V_{REF} - 0.05$	$V_{REF} + 0.05$	0.8	0.8	1.2	10

* Measuring point = V_{trip} . See Table 2-27 on page 2-27 for a complete table of trip points.

Timing Characteristics

Table 2-108 • 2.5 V GTL

Military-Case Conditions: $T_J = 125^\circ C$, Worst-Case $V_{CC} = 1.14 V$,
Worst-Case $V_{CCI} = 3.0 V$, $V_{REF} = 0.8 V$
Applicable to Pro I/Os for A3PE600L and A3PE3000L Only

Speed Grade	t_{DOUT}	t_{DP}	t_{DIN}	t_{PY}	t_{EOUT}	t_{ZL}	t_{ZH}	t_{LZ}	t_{HZ}	t_{ZLS}	t_{ZHS}	Units
Std.	0.80	2.11	0.05	2.26	0.52	2.14	2.11			4.35	4.32	ns
-1	0.68	1.79	0.05	1.92	0.44	1.82	1.79			3.70	3.68	ns

Note: For specific junction temperature and voltage supply levels, refer to Table 2-5 on page 2-8 for derating values.

Table 2-109 • 2.5 V GTL

Military-Case Conditions: $T_J = 125^\circ C$, $V_{CC} = 1.425 V$,
Worst-Case $V_{CCI} = 3.0 V$, $V_{REF} = 0.8 V$
Applicable to Pro I/Os for A3PE600L and A3PE3000L Only

Speed Grade	t_{DOUT}	t_{DP}	t_{DIN}	t_{PY}	t_{EOUT}	t_{ZL}	t_{ZH}	t_{LZ}	t_{HZ}	t_{ZLS}	t_{ZHS}	Units
Std.	0.61	2.11	0.04	2.26	0.40	2.14	2.11			4.35	4.32	ns
-1	0.52	1.79	0.03	1.92	0.34	1.82	1.79			3.70	3.68	ns

Note: For specific junction temperature and voltage supply levels, refer to Table 2-5 on page 2-8 for derating values.

3.3 V GTL+

Gunning Transceiver Logic Plus is a high-speed bus standard (JESD8-3). It provides a differential amplifier input buffer and an open-drain output buffer. The V_{CCI} pin should be connected to 3.3 V.

Table 2-110 • Minimum and Maximum DC Input and Output Levels

3.3 V GTL+	V_{IL}		V_{IH}		V_{OL}	V_{OH}	I_{OL}	I_{OH}	I_{OSL}	I_{OSH}	I_{IL}	I_{IH}
	Min., V	Max., V	Min., V	Max., V	Max., V	Min., V	mA	mA	Max., mA ¹	Max., mA ¹	μA^2	μA^2
35 mA	-0.3	$V_{REF} - 0.1$	$V_{REF} + 0.1$	3.6	0.6	-	35	35	268	181	15	15

Notes:

1. Currents are measured at 100°C junction temperature and maximum voltage.
2. Currents are measured at 125°C junction temperature.

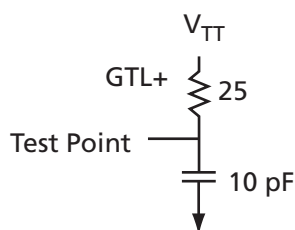


Figure 2-16 • AC Loading

Table 2-111 • AC Waveforms, Measuring Points, and Capacitive Loads

Input LOW (V)	Input HIGH (V)	Measuring Point* (V)	V_{REF} (typ.) (V)	V_{TT} (typ.) (V)	C_{LOAD} (pF)
$V_{REF} - 0.1$	$V_{REF} + 0.1$	1.0	1.0	1.5	10

* Measuring point = V_{trip} . See Table 2-27 on page 2-27 for a complete table of trip points.

Timing Characteristics

Table 2-112 • 3.3 V GTL+

Military-Case Conditions: $T_J = 125^\circ C$, Worst-Case $V_{CC} = 1.14 V$,
Worst-Case $V_{CCI} = 3.0 V$, $V_{REF} = 1.0 V$
Applicable to Pro I/Os for A3PE600L and A3PE3000L Only

Speed Grade	t_{DOUT}	t_{DP}	t_{DIN}	t_{PY}	t_{EOUT}	t_{ZL}	t_{ZH}	t_{LZ}	t_{HZ}	t_{ZLS}	t_{ZHS}	Units
Std.	0.80	2.03	0.05	2.33	0.52	2.07	2.03			4.29	4.25	ns
-1	0.68	1.73	0.05	1.98	0.44	1.76	1.73			3.65	3.61	ns

Note: For specific junction temperature and voltage supply levels, refer to Table 2-5 on page 2-8 for derating values.

Table 2-113 • 3.3 V GTL+

Military-Case Conditions: $T_J = 125^\circ C$, $V_{CC} = 1.425 V$,
Worst-Case $V_{CCI} = 3.0 V$, $V_{REF} = 1.0 V$
Applicable to Pro I/Os for A3PE600L and A3PE3000L Only

Speed Grade	t_{DOUT}	t_{DP}	t_{DIN}	t_{PY}	t_{EOUT}	t_{ZL}	t_{ZH}	t_{LZ}	t_{HZ}	t_{ZLS}	t_{ZHS}	Units
Std.	0.61	2.03	0.04	2.33	0.40	2.07	2.03			4.29	4.25	ns
-1	0.52	1.73	0.03	1.98	0.34	1.76	1.73			3.65	3.61	ns

Note: For specific junction temperature and voltage supply levels, refer to Table 2-5 on page 2-8 for derating values.

2.5 V GTL+

Gunning Transceiver Logic Plus is a high-speed bus standard (JESD8-3). It provides a differential amplifier input buffer and an open-drain output buffer. The V_{CCI} pin should be connected to 2.5 V.

Table 2-114 • Minimum and Maximum DC Input and Output Levels

2.5 V GTL+	V_{IL}		V_{IH}		V_{OL}	V_{OH}	I_{OL}	I_{OH}	I_{OSL}	I_{OSH}	I_{IL}	I_{IH}
	Min., V	Max., V	Min., V	Max., V	Max., V	Min., V	mA	mA	Max., mA ¹	Max., mA ¹	μA^2	μA^2
33 mA	-0.3	$V_{REF} - 0.1$	$V_{REF} + 0.1$	2.7	0.6	-	33	33	169	124	15	15

Notes:

1. Currents are measured at 100°C junction temperature and maximum voltage.
2. Currents are measured at 125°C junction temperature.

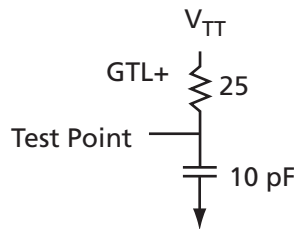


Figure 2-17 • AC Loading

Table 2-115 • AC Waveforms, Measuring Points, and Capacitive Loads

Input LOW (V)	Input HIGH (V)	Measuring Point* (V)	V_{REF} (typ.) (V)	V_{TT} (typ.) (V)	C_{LOAD} (pF)
$V_{REF} - 0.1$	$V_{REF} + 0.1$	1.0	1.0	1.5	10

* Measuring point = V_{trip} . See Table 2-27 on page 2-27 for a complete table of trip points.

Timing Characteristics

Table 2-116 • 2.5 V GTL+

Military-Case Conditions: $T_J = 125^\circ C$, Worst-Case $V_{CC} = 1.14 V$,
 Worst-Case $V_{CCI} = 2.3 V$, $V_{REF} = 1.0 V$
 Applicable to Pro I/Os for A3PE600L and A3PE3000L Only

Speed Grade	t_{DOUT}	t_{DP}	t_{DIN}	t_{PY}	t_{EOUT}	t_{ZL}	t_{ZH}	t_{LZ}	t_{HZ}	t_{ZLS}	t_{ZHS}	Units
Std.	0.80	2.18	0.05	2.26	0.52	2.22	2.08			4.44	4.29	ns
-1	0.68	1.86	0.05	1.92	0.44	1.89	1.77			3.78	3.65	ns

Note: For specific junction temperature and voltage supply levels, refer to Table 2-5 on page 2-8 for derating values.

Table 2-117 • 2.5 V GTL+

Military-Case Conditions: $T_J = 125^\circ C$, $V_{CC} = 1.425 V$,
 Worst-Case $V_{CCI} = 2.3 V$, $V_{REF} = 1.0 V$
 Applicable to Pro I/Os for A3PE600L and A3PE3000L Only

Speed Grade	t_{DOUT}	t_{DP}	t_{DIN}	t_{PY}	t_{EOUT}	t_{ZL}	t_{ZH}	t_{LZ}	t_{HZ}	t_{ZLS}	t_{ZHS}	Units
Std.	0.61	2.18	0.04	2.26	0.40	2.22	2.08			4.44	4.29	ns
-1	0.52	1.86	0.03	1.92	0.34	1.89	1.77			3.78	3.65	ns

Note: For specific junction temperature and voltage supply levels, refer to Table 2-5 on page 2-8 for derating values.



HSTL Class I

High-Speed Transceiver Logic is a general-purpose high-speed 1.5 V bus standard (EIA/JESD8-6). Military ProASIC3E devices support Class I. This provides a differential amplifier input buffer and a push-pull output buffer.

Table 2-118 • Minimum and Maximum DC Input and Output Levels

HSTL Class I	V _{IL}		V _{IH}		V _{OL}	V _{OH}	I _{OL}	I _{OH}	I _{OSL}	I _{OSH}	I _{IL}	I _{IH}
	Min., V	Max., V	Min., V	Max., V	Max., V	Min., V	mA	mA	Max., mA ¹	Max., mA ¹	μA ²	μA ²
8 mA	-0.3	V _{REF} - 0.1	V _{REF} + 0.1	1.575	0.4	V _{CCI} - 0.4	8	8	32	39	15	15

Notes:

1. Currents are measured at 100°C junction temperature and maximum voltage.
2. Currents are measured at 125°C junction temperature.

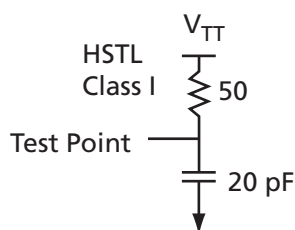


Figure 2-18 • AC Loading

Table 2-119 • AC Waveforms, Measuring Points, and Capacitive Loads

Input LOW (V)	Input HIGH (V)	Measuring Point* (V)	V _{REF} (typ.) (V)	V _{TT} (typ.) (V)	C _{LOAD} (pF)
V _{REF} - 0.1	V _{REF} + 0.1	0.75	0.75	0.75	20

* Measuring point = V_{trip}. See Table 2-27 on page 2-27 for a complete table of trip points.

Timing Characteristics

Table 2-120 • HSTL Class I

Military-Case Conditions: T_J = 125°C, Worst-Case V_{CC} = 1.14 V,
Worst-Case V_{CCI} = 1.4 V, V_{REF} = 0.75 V
Applicable to Pro I/Os for A3PE600L and A3PE3000L Only

Speed Grade	t _{DOUT}	t _{DP}	t _{DIN}	t _{PY}	t _{EOUT}	t _{ZL}	t _{ZH}	t _{LZ}	t _{HZ}	t _{ZLS}	t _{ZHS}	Units
Std.	0.80	3.15	0.05	2.75	0.52	3.21	3.11			5.42	5.33	ns
-1	0.68	2.68	0.05	2.34	0.44	2.73	2.65			4.61	4.53	ns

Note: For specific junction temperature and voltage supply levels, refer to Table 2-5 on page 2-8 for derating values.

Table 2-121 • HSTL Class I

Military-Case Conditions: T_J = 125°C, V_{CC} = 1.425 V,
Worst-Case V_{CCI} = 1.4 V, V_{REF} = 0.75 V
Applicable to Pro I/Os for A3PE600L and A3PE3000L Only

Speed Grade	t _{DOUT}	t _{DP}	t _{DIN}	t _{PY}	t _{EOUT}	t _{ZL}	t _{ZH}	t _{LZ}	t _{HZ}	t _{ZLS}	t _{ZHS}	Units
Std.	0.61	3.15	0.04	2.75	0.40	3.21	3.11			5.42	5.33	ns
-1	0.52	2.68	0.03	2.34	0.34	2.73	2.65			4.61	4.53	ns

Note: For specific junction temperature and voltage supply levels, refer to Table 2-5 on page 2-8 for derating values.

HSTL Class II

High-Speed Transceiver Logic is a general-purpose high-speed 1.5 V bus standard (EIA/JESD8-6). Military ProASIC3E devices support Class II. This provides a differential amplifier input buffer and a push-pull output buffer.

Table 2-122 • Minimum and Maximum DC Input and Output Levels

HSTL Class II	V _{IL}		V _{IH}		V _{OL}	V _{OH}	I _{OL}	I _{OH}	I _{OSL}	I _{OSH}	I _{IL}	I _{IH}
	Min., V	Max., V	Min., V	Max., V	Max., V	Min., V	mA	mA	Max., mA ¹	Max., mA ¹	μA ²	μA ²
15 mA ³	-0.3	V _{REF} - 0.1	V _{REF} + 0.1	1.575	0.4	V _{CC1} - 0.4	15	15	66	55	15	15

Notes:

1. Currents are measured at 100°C junction temperature and maximum voltage.
2. Currents are measured at 125°C junction temperature.
3. Output drive strength is below JEDEC specification.

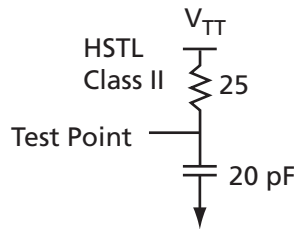


Figure 2-19 • AC Loading

Table 2-123 • AC Waveforms, Measuring Points, and Capacitive Loads

Input LOW (V)	Input HIGH (V)	Measuring Point* (V)	V _{REF} (typ.) (V)	V _{TT} (typ.) (V)	C _{LOAD} (pF)
V _{REF} - 0.1	V _{REF} + 0.1	0.75	0.75	0.75	20

* Measuring point = V_{trip}. See Table 2-27 on page 2-27 for a complete table of trip points.

Timing Characteristics

Table 2-124 • HSTL Class II

Military-Case Conditions: T_J = 125°C, Worst-Case V_{CC} = 1.14 V,
Worst-Case V_{CC1} = 1.4 V, V_{REF} = 0.75 V
Applicable to Pro I/Os for A3PE600L and A3PE3000L Only

Speed Grade	t _{DOUT}	t _{DP}	t _{DIN}	t _{PY}	t _{EOUT}	t _{ZL}	t _{ZH}	t _{LZ}	t _{HZ}	t _{ZLS}	t _{ZHS}	Units
Std.	0.80	2.99	0.05	2.75	0.52	3.05	2.69			5.26	4.90	ns
-1	0.68	2.55	0.05	2.34	0.44	2.59	2.29			4.48	4.17	ns

Note: For specific junction temperature and voltage supply levels, refer to Table 2-5 on page 2-8 for derating values.

Table 2-125 • HSTL Class II

Military-Case Conditions: T_J = 125°C, V_{CC} = 1.425 V,
Worst-Case V_{CC1} = 1.4 V, V_{REF} = 0.75 V
Applicable to Pro I/Os for A3PE600L and A3PE3000L Only

Speed Grade	t _{DOUT}	t _{DP}	t _{DIN}	t _{PY}	t _{EOUT}	t _{ZL}	t _{ZH}	t _{LZ}	t _{HZ}	t _{ZLS}	t _{ZHS}	Units
Std.	0.61	2.99	0.04	2.75	0.40	3.05	2.69			5.26	4.90	ns
-1	0.52	2.55	0.03	2.34	0.34	2.59	2.29			4.48	4.17	ns

Note: For specific junction temperature and voltage supply levels, refer to Table 2-5 on page 2-8 for derating values.

SSTL2 Class I

Stub-Speed Terminated Logic for 2.5 V memory bus standard (JESD8-9). Military ProASIC3E devices support Class I. This provides a differential amplifier input buffer and a push-pull output buffer.

Table 2-126 • Minimum and Maximum DC Input and Output Levels

SSTL2 Class I	V_{IL}		V_{IH}		V_{OL}	V_{OH}	I_{OL}	I_{OH}	I_{OSL}	I_{OSH}	I_{IL}	I_{IH}
	Min., V	Max., V	Min., V	Max., V	Max., V	Min., V	mA	mA	Max., mA ¹	Max., mA ¹	μA^2	μA^2
15 mA	-0.3	$V_{REF} - 0.2$	$V_{REF} + 0.2$	2.7	0.54	$V_{CC1} - 0.62$	15	15	83	87	15	15

Notes:

1. Currents are measured at 100°C junction temperature and maximum voltage.
2. Currents are measured at 125°C junction temperature.

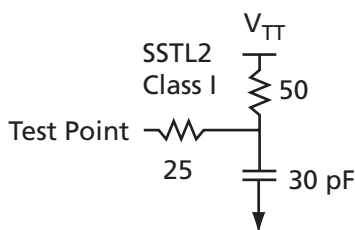


Figure 2-20 • AC Loading

Table 2-127 • AC Waveforms, Measuring Points, and Capacitive Loads

Input LOW (V)	Input HIGH (V)	Measuring Point* (V)	V_{REF} (typ.) (V)	V_{TT} (typ.) (V)	C_{LOAD} (pF)
$V_{REF} - 0.2$	$V_{REF} + 0.2$	1.25	1.25	1.25	30

* Measuring point = V_{trip} . See Table 2-27 on page 2-27 for a complete table of trip points.

Timing Characteristics

Table 2-128 • SSTL2 Class I

Military-Case Conditions: $T_J = 125^\circ\text{C}$, Worst-Case $V_{CC} = 1.14\text{ V}$,
 Worst-Case $V_{CC1} = 2.3\text{ V}$, $V_{REF} = 1.25\text{ V}$
 Applicable to Pro I/Os for A3PE600L and A3PE3000L Only

Speed Grade	t_{DOUT}	t_{DP}	t_{DIN}	t_{PY}	t_{EOUT}	t_{ZL}	t_{ZH}	t_{LZ}	t_{HZ}	t_{ZLS}	t_{ZHS}	Units
Std.	0.80	2.11	0.05	2.08	0.52	2.14	1.83			2.14	1.83	ns
-1	0.68	1.79	0.05	1.77	0.44	1.82	1.56			1.82	1.56	ns

Note: For specific junction temperature and voltage supply levels, refer to Table 2-5 on page 2-8 for derating values.

Table 2-129 • SSTL2 Class I

Military-Case Conditions: $T_J = 125^\circ\text{C}$, $V_{CC} = 1.425\text{ V}$,
 Worst-Case $V_{CC1} = 2.3\text{ V}$, $V_{REF} = 1.25\text{ V}$
 Applicable to Pro I/Os for A3PE600L and A3PE3000L Only

Speed Grade	t_{DOUT}	t_{DP}	t_{DIN}	t_{PY}	t_{EOUT}	t_{ZL}	t_{ZH}	t_{LZ}	t_{HZ}	t_{ZLS}	t_{ZHS}	Units
Std.	0.61	2.11	0.04	2.08	0.40	2.14	1.83			2.14	1.83	ns
-1	0.52	1.79	0.03	1.77	0.34	1.82	1.56			1.82	1.56	ns

Note: For specific junction temperature and voltage supply levels, refer to Table 2-5 on page 2-8 for derating values.

SSTL2 Class II

Stub-Speed Terminated Logic for 2.5 V memory bus standard (JESD8-9). Military ProASIC3E devices support Class II. This provides a differential amplifier input buffer and a push-pull output buffer.

Table 2-130 • Minimum and Maximum DC Input and Output Levels

SSTL2 Class II	V _{IL}		V _{IH}		V _{OL}	V _{OH}	I _{OL}	I _{OH}	I _{OSL}	I _{OSH}	I _{IL}	I _{IH}
	Min., V	Max., V	Min., V	Max., V	Max., V	Min., V	mA	mA	Max., mA ¹	Max., mA ¹	μA ²	μA ²
18 mA	-0.3	V _{REF} - 0.2	V _{REF} + 0.2	2.7	0.35	V _{CCI} - 0.43	18	18	169	124	15	15

Notes:

1. Currents are measured at 100°C junction temperature and maximum voltage.
2. Currents are measured at 125°C junction temperature.

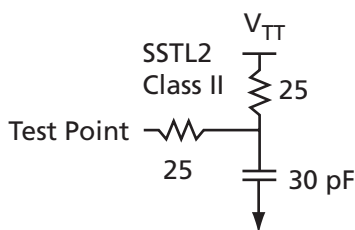


Figure 2-21 • AC Loading

Table 2-131 • AC Waveforms, Measuring Points, and Capacitive Loads

Input LOW (V)	Input HIGH (V)	Measuring Point* (V)	V _{REF} (typ.) (V)	V _{TT} (typ.) (V)	C _{LOAD} (pF)
V _{REF} - 0.2	V _{REF} + 0.2	1.25	1.25	1.25	30

* Measuring point = V_{trip}. See Table 2-27 on page 2-27 for a complete table of trip points.

Timing Characteristics

Table 2-132 • SSTL2 Class II

Military-Case Conditions: T_J = 125°C, Worst-Case V_{CC} = 1.14 V,
Worst-Case V_{CCI} = 2.3 V, V_{REF} = 1.25 V
Applicable to Pro I/Os for A3PE600L and A3PE3000L Only

Speed Grade	t _{DOUT}	t _{DP}	t _{DIN}	t _{PY}	t _{EOUT}	t _{ZL}	t _{ZH}	t _{LZ}	t _{HZ}	t _{ZLS}	t _{ZHS}	Units
Std.	0.80	2.15	0.05	2.08	0.52	2.19	1.75			2.19	1.75	ns
-1	0.68	1.83	0.05	1.77	0.44	1.86	1.49			1.86	1.49	ns

Note: For specific junction temperature and voltage supply levels, refer to Table 2-5 on page 2-8 for derating values.

Table 2-133 • SSTL2 Class II

Military-Case Conditions: T_J = 125°C, V_{CC} = 1.425 V,
Worst-Case V_{CCI} = 2.3 V, V_{REF} = 1.25 V
Applicable to Pro I/Os for A3PE600L and A3PE3000L Only

Speed Grade	t _{DOUT}	t _{DP}	t _{DIN}	t _{PY}	t _{EOUT}	t _{ZL}	t _{ZH}	t _{LZ}	t _{HZ}	t _{ZLS}	t _{ZHS}	Units
Std.	0.61	2.15	0.04	2.08	0.40	2.19	1.75			2.19	1.75	ns
-1	0.52	1.83	0.03	1.77	0.34	1.86	1.49			1.86	1.49	ns

Note: For specific junction temperature and voltage supply levels, refer to Table 2-5 on page 2-8 for derating values.



SSTL3 Class I

Stub-Speed Terminated Logic for 3.3 V memory bus standard (JESD8-8). Military ProASIC3E devices support Class I. This provides a differential amplifier input buffer and a push-pull output buffer.

Table 2-134 • Minimum and Maximum DC Input and Output Levels

SSTL3 Class I	V_{IL}		V_{IH}		V_{OL}	V_{OH}	I_{OL}	I_{OH}	I_{OSL}	I_{OSH}	I_{IL}	I_{IH}
	Min., V	Max., V	Min., V	Max., V	Max., V	Min., V	mA	mA	Max., mA ¹	Max., mA ¹	μA^2	μA^2
14 mA	-0.3	$V_{REF} - 0.2$	$V_{REF} + 0.2$	3.6	0.7	$V_{CCI} - 1.1$	14	14	51	54	15	15

Notes:

1. Currents are measured at 100°C junction temperature and maximum voltage.
2. Currents are measured at 125°C junction temperature.

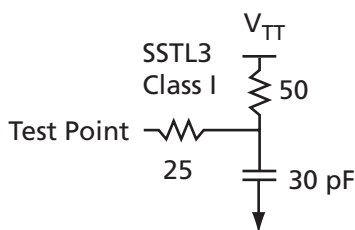


Figure 2-22 • AC Loading

Table 2-135 • AC Waveforms, Measuring Points, and Capacitive Loads

Input LOW (V)	Input HIGH (V)	Measuring Point* (V)	V_{REF} (typ.) (V)	V_{TT} (typ.) (V)	C_{LOAD} (pF)
$V_{REF} - 0.2$	$V_{REF} + 0.2$	1.5	1.5	1.485	30

* Measuring point = V_{trip} . See Table 2-27 on page 2-27 for a complete table of trip points.

Timing Characteristics

Table 2-136 • SSTL3 Class I

Military-Case Conditions: $T_J = 125^\circ\text{C}$, Worst-Case $V_{CC} = 1.14\text{ V}$,
Worst-Case $V_{CCI} = 3.0\text{ V}$, $V_{REF} = 1.5\text{ V}$
Applicable to Pro I/Os for A3PE600L and A3PE3000L Only

Speed Grade	t_{DOUT}	t_{DP}	t_{DIN}	t_{PY}	t_{EOUT}	t_{ZL}	t_{ZH}	t_{LZ}	t_{HZ}	t_{ZLS}	t_{ZHS}	Units
Std.	0.80	2.28	0.05	1.99	0.52	2.33	1.82			2.33	1.82	ns
-1	0.68	1.94	0.05	1.69	0.44	1.98	1.55			1.98	1.55	ns

Note: For specific junction temperature and voltage supply levels, refer to Table 2-5 on page 2-8 for derating values.

Table 2-137 • SSTL3 Class I

Military-Case Conditions: $T_J = 125^\circ\text{C}$, $V_{CC} = 1.425\text{ V}$,
Worst-Case $V_{CCI} = 3.0\text{ V}$, $V_{REF} = 1.5\text{ V}$
Applicable to Pro I/Os for A3PE600L and A3PE3000L Only

Speed Grade	t_{DOUT}	t_{DP}	t_{DIN}	t_{PY}	t_{EOUT}	t_{ZL}	t_{ZH}	t_{LZ}	t_{HZ}	t_{ZLS}	t_{ZHS}	Units
Std.	0.61	2.28	0.04	1.99	0.40	2.33	1.82			2.33	1.82	ns
-1	0.52	1.94	0.03	1.69	0.34	1.98	1.55			1.98	1.55	ns

Note: For specific junction temperature and voltage supply levels, refer to Table 2-5 on page 2-8 for derating values.

SSTL3 Class II

Stub-Speed Terminated Logic for 3.3 V memory bus standard (JESD8-8). Military ProASIC3E devices support Class II. This provides a differential amplifier input buffer and a push-pull output buffer.

Table 2-138 • Minimum and Maximum DC Input and Output Levels

SSTL3 Class II Drive Strength	V _{IL}		V _{IH}		V _{OL}	V _{OH}	I _{OL}	I _{OH}	I _{OSL}	I _{OSH}	I _{IL}	I _{IH}
	Min., V	Max., V	Min., V	Max., V	Max., V	Min., V	mA	mA	Max., mA ¹	Max., mA ¹	μA ²	μA ²
21 mA	-0.3	V _{REF} - 0.2	V _{REF} + 0.2	3.6	0.5	V _{CCI} - 0.9	21	21	103	109	15	15

Notes:

1. Currents are measured at 100°C junction temperature and maximum voltage.
2. Currents are measured at 125°C junction temperature.

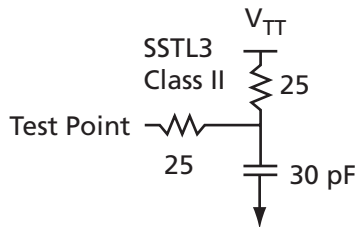


Figure 2-23 • AC Loading

Table 2-139 • AC Waveforms, Measuring Points, and Capacitive Loads

Input LOW (V)	Input HIGH (V)	Measuring Point* (V)	V _{REF} (typ.) (V)	V _{TT} (typ.) (V)	C _{LOAD} (pF)
V _{REF} - 0.2	V _{REF} + 0.2	1.5	1.5	1.485	30

* Measuring point = V_{trip}. See Table 2-27 on page 2-27 for a complete table of trip points.

Timing Characteristics

Table 2-140 • SSTL3 Class II

Military-Case Conditions: T_J = 125°C, Worst-Case V_{CC} = 1.14 V,
Worst-Case V_{CCI} = 3.0 V, V_{REF} = 1.5 V
Applicable to Pro I/Os for A3PE600L and A3PE3000L Only

Speed Grade	t _{DOUT}	t _{DP}	t _{DIN}	t _{PY}	t _{EOUT}	t _{ZL}	t _{ZH}	t _{LZ}	t _{HZ}	t _{ZLS}	t _{ZHS}	Units
Std.	0.80	2.04	0.05	1.99	0.52	2.08	1.65			2.08	1.65	ns
-1	0.68	1.74	0.05	1.69	0.44	1.77	1.41			1.77	1.41	ns

Note: For specific junction temperature and voltage supply levels, refer to Table 2-5 on page 2-8 for derating values.

Table 2-141 • SSTL3 Class II

Military-Case Conditions: T_J = 125°C, V_{CC} = 1.425 V,
Worst-Case V_{CCI} = 3.0 V, V_{REF} = 1.5 V
Applicable to Pro I/Os for A3PE600L and A3PE3000L Only

Speed Grade	t _{DOUT}	t _{DP}	t _{DIN}	t _{PY}	t _{EOUT}	t _{ZL}	t _{ZH}	t _{LZ}	t _{HZ}	t _{ZLS}	t _{ZHS}	Units
Std.	0.61	2.04	0.04	1.99	0.40	2.08	1.65			2.08	1.65	ns
-1	0.52	1.74	0.03	1.69	0.34	1.77	1.41			1.77	1.41	ns

Note: For specific junction temperature and voltage supply levels, refer to Table 2-5 on page 2-8 for derating values.



Differential I/O Characteristics

Physical Implementation

Configuration of the I/O modules as a differential pair is handled by Actel Designer software when the user instantiates a differential I/O macro in the design.

Differential I/Os can also be used in conjunction with the embedded Input Register (InReg), Output Register (OutReg), Enable Register (EnReg), and Double Data Rate (DDR). However, there is no support for bidirectional I/Os or tristates with the LVPECL standards.

LVDS

Low-Voltage Differential Signaling (ANSI/TIA/EIA-644) is a high-speed, differential I/O standard. It requires that one data bit be carried through two signal lines, so two pins are needed. It also requires external resistor termination.

The full implementation of the LVDS transmitter and receiver is shown in an example in [Figure 2-24](#). The building blocks of the LVDS transmitter-receiver are one transmitter macro, one receiver macro, three board resistors at the transmitter end, and one resistor at the receiver end. The values for the three driver resistors are different from those used in the LVPECL implementation because the output standard specifications are different.

Along with LVDS I/O, military ProASIC3 also supports Bus LVDS structure and Multipoint LVDS (M-LVDS) configuration (up to 40 nodes).

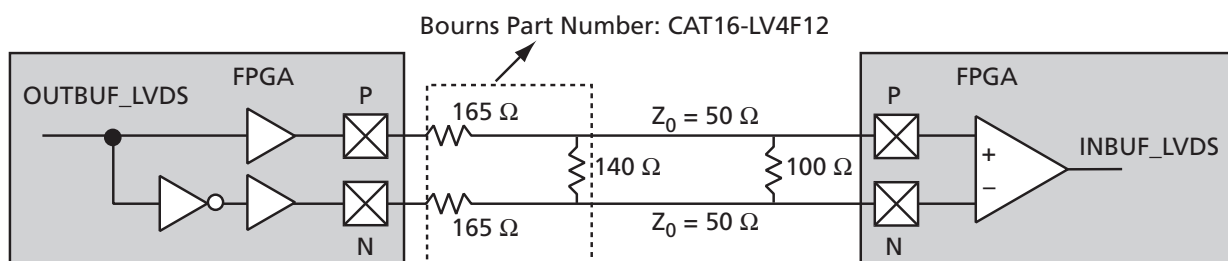


Figure 2-24 • LVDS Circuit Diagram and Board-Level Implementation

Table 2-142 • Minimum and Maximum DC Input and Output Levels

DC Parameter	Description	Min.	Typ.	Max.	Units
V _{CCI}	Supply Voltage	2.375	2.5	2.625	V
V _{OL}	Output Low Voltage	0.9	1.075	1.25	V
V _{OH}	Output High Voltage	1.25	1.425	1.6	V
I _{OL} ⁴	Output Lower Current	0.65	0.91	1.16	mA
I _{OH} ⁴	Output High Current	0.65	0.91	1.16	mA
V _I	Input Voltage	0		2.925	V
I _{IH} ³	Input High Leakage Current			10	μA
I _{IL} ³	Input Low Leakage Current			10	μA
V _{ODIFF}	Differential Output Voltage	250	350	450	mV
V _{OCM}	Output Common Mode Voltage	1.125	1.25	1.375	V
V _{ICM}	Input Common Mode Voltage	0.05	1.25	2.35	V
V _{IDIFF}	Input Differential Voltage	100	350		mV

Notes:

1. ± 5%
2. Differential input voltage = ±350 mV.
3. Currents are measured at 125°C junction temperature.
4. I_{OL}/I_{OH} is defined by V_{ODIFF}/(Resistor Network).

Table 2-143 • AC Waveforms, Measuring Points, and Capacitive Loads

Input LOW (V)	Input HIGH (V)	Measuring Point* (V)
1.075	1.325	Cross point

* Measuring point = V_{trip}. See Table 2-27 on page 2-27 for a complete table of trip points.

Timing Characteristics

1.2 V DC Core Voltage

Table 2-144 • LVDS

Military-Case Conditions: $T_J = 125^\circ\text{C}$, Worst-Case $V_{CC} = 1.14\text{ V}$, Worst-Case $V_{CCI} = 2.3\text{ V}$
Applicable to Pro I/Os for A3PE600L and A3PE3000L Only

Speed Grade	t_{DOUT}	t_{DP}	t_{DIN}	t_{pY}	Units
Std.	0.80	1.81	0.05	2.39	ns
-1	0.68	1.57	0.05	2.04	ns

Note: For specific junction temperature and voltage supply levels, refer to [Table 2-5 on page 2-8](#) for derating values.

1.5 V DC Core Voltage

Table 2-145 • LVDS

Military-Case Conditions: $T_J = 125^\circ\text{C}$, $V_{CC} = 1.425\text{ V}$, Worst-Case $V_{CCI} = 2.3\text{ V}$
Applicable to Pro I/Os for A3PE600L and A3PE3000L Only

Speed Grade	t_{DOUT}	t_{DP}	t_{DIN}	t_{pY}	Units
Std.	0.61	1.81	0.04	2.39	ns
-1	0.52	1.57	0.03	2.04	ns

Note: For specific junction temperature and voltage supply levels, refer to [Table 2-5 on page 2-8](#) for derating values.

Table 2-146 • LVDS

Military-Case Conditions: $T_J = 125^\circ\text{C}$, Worst-Case $V_{CC} = 1.425\text{ V}$, Worst-Case $V_{CCI} = 2.3\text{ V}$
Applicable to Advanced I/O Banks for A3P1000 Only

Speed Grade	t_{DOUT}	t_{DP}	t_{DIN}	t_{pY}	Units
Std.	0.63	2.01	0.05	1.76	ns
-1	0.54	1.71	0.04	1.50	ns

Note: For specific junction temperature and voltage supply levels, refer to [Table 2-6 on page 2-8](#) for derating values.

B-LVDS/M-LVDS

Bus LVDS (B-LVDS) and Multipoint LVDS (M-LVDS) specifications extend the existing LVDS standard to high-performance multipoint bus applications. Multidrop and multipoint bus configurations may contain any combination of drivers, receivers, and transceivers. Actel LVDS drivers provide the higher drive current required by B-LVDS and M-LVDS to accommodate the loading. The drivers require series terminations for better signal quality and to control voltage swing. Termination is also required at both ends of the bus since the driver can be located anywhere on the bus. These configurations can be implemented using the TRIBUF_LVDS and BIBUF_LVDS macros along with appropriate terminations. Multipoint designs using Actel LVDS macros can achieve up to 200 MHz with a maximum of 20 loads. A sample application is given in Figure 2-25. The input and output buffer delays are available in the LVDS section in Table 2-142 on page 2-78.

Example: For a bus consisting of 20 equidistant loads, the following terminations provide the required differential voltage, in worst-case Industrial operating conditions, at the farthest receiver: $R_S = 60 \Omega$ and $R_T = 70 \Omega$, given $Z_0 = 50 \Omega$ (2") and $Z_{stubs} = 50 \Omega$ (~1.5").

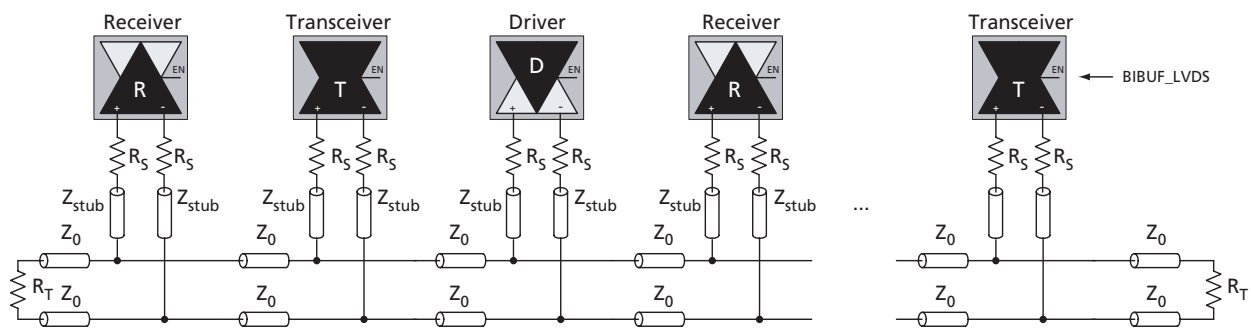


Figure 2-25 • B-LVDS/M-LVDS Multipoint Application Using LVDS I/O Buffers

LVPECL

Low-Voltage Positive Emitter-Coupled Logic (LVPECL) is another differential I/O standard. It requires that one data bit be carried through two signal lines. Like LVDS, two pins are needed. It also requires external resistor termination.

The full implementation of the LVDS transmitter and receiver is shown in an example in [Figure 2-26](#). The building blocks of the LVPECL transmitter-receiver are one transmitter macro, one receiver macro, three board resistors at the transmitter end, and one resistor at the receiver end. The values for the three driver resistors are different from those used in the LVDS implementation because the output standard specifications are different.

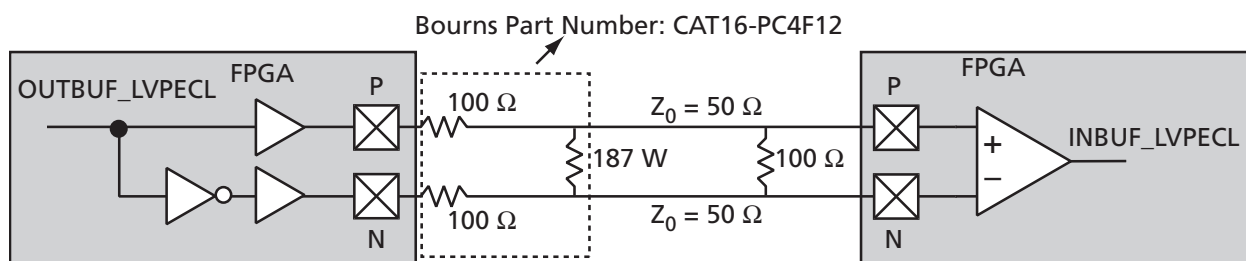


Figure 2-26 • LVPECL Circuit Diagram and Board-Level Implementation

Table 2-147 • Minimum and Maximum DC Input and Output Levels

DC Parameter	Description	Min.	Max.	Min.	Max.	Min.	Max.	Units
V_{CCI}	Supply Voltage	3.0		3.3		3.6		V
V_{OL}	Output LOW Voltage	0.96	1.27	1.06	1.43	1.30	1.57	V
V_{OH}	Output HIGH Voltage	1.8	2.11	1.92	2.28	2.13	2.41	V
V_{IL}, V_{IH}	Input LOW, Input HIGH Voltages	0	3.3	0	3.6	0	3.9	V
V_{ODIFF}	Differential Output Voltage	0.625	0.97	0.625	0.97	0.625	0.97	V
V_{OCM}	Output Common-Mode Voltage	1.762	1.98	1.762	1.98	1.762	1.98	V
V_{ICM}	Input Common-Mode Voltage	1.01	2.57	1.01	2.57	1.01	2.57	V
V_{IDIFF}	Input Differential Voltage	300		300		300		mV

Table 2-148 • AC Waveforms, Measuring Points, and Capacitive Loads

Input LOW (V)	Input HIGH (V)	Measuring Point* (V)
1.64	1.94	Cross point

* Measuring point = V_{trip} . See [Table 2-27 on page 2-27](#) for a complete table of trip points.

Timing Characteristics

1.2 V DC Core Voltage

Table 2-149 • LVPECL

**Military-Case Conditions: $T_J = 125^\circ\text{C}$, Worst-Case $V_{CC} = 1.14\text{ V}$, Worst-Case $V_{CCI} = 3.0\text{ V}$
Applicable to Pro I/Os for A3PE600L and A3PE3000L Only**

Speed Grade	t_{DOUT}	t_{DP}	t_{DIN}	t_{PY}	Units
Std.	0.80	1.81	0.05	2.16	ns
-1	0.68	1.54	0.05	1.84	ns

Note: For specific junction temperature and voltage supply levels, refer to [Table 2-5 on page 2-8](#) for derating values.

1.5 V DC Core Voltage

Table 2-150 • LVPECL

**Military-Case Conditions: $T_J = 125^\circ\text{C}$, $V_{CC} = 1.425\text{ V}$, Worst-Case $V_{CCI} = 3.0\text{ V}$
Applicable to Pro I/Os for A3PE600L and A3PE3000L Only**

Speed Grade	t_{DOUT}	t_{DP}	t_{DIN}	t_{PY}	Units
Std.	0.61	1.81	0.04	2.16	ns
-1	0.52	1.54	0.03	1.84	ns

Note: For specific junction temperature and voltage supply levels, refer to [Table 2-5 on page 2-8](#) for derating values.

Table 2-151 • LVPECL

**Military-Case Conditions: $T_J = 125^\circ\text{C}$, Worst-Case $V_{CC} = 1.425\text{ V}$, Worst-Case $V_{CCI} = 3.0\text{ V}$
Applicable to Advanced I/O Banks for A3P1000 Only**

Speed Grade	t_{DOUT}	t_{DP}	t_{DIN}	t_{PY}	Units
Std.	0.63	1.98	0.05	1.54	ns
-1	0.54	1.68	0.04	1.31	ns

Note: For specific junction temperature and voltage supply levels, refer to [Table 2-6 on page 2-8](#) for derating values.

I/O Register Specifications

Fully Registered I/O Buffers with Synchronous Enable and Asynchronous Preset

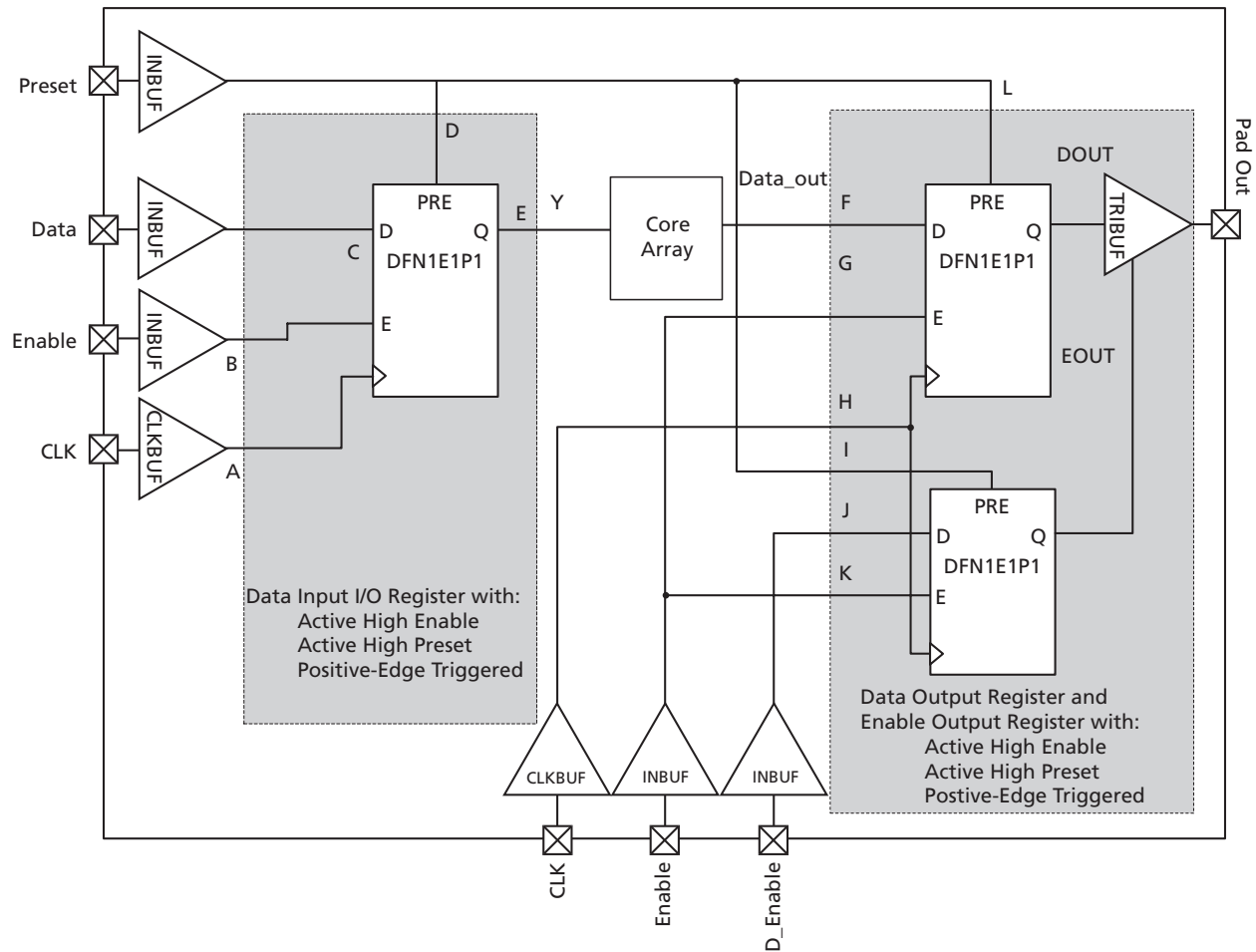


Figure 2-27 • Timing Model of Registered I/O Buffers with Synchronous Enable and Asynchronous Preset

Table 2-152 • Parameter Definition and Measuring Nodes

Parameter Name	Parameter Definition	Measuring Nodes (from, to)*
t _{OCLKQ}	Clock-to-Q of the Output Data Register	H, DOUT
t _{OSUD}	Data Setup Time for the Output Data Register	F, H
t _{OHD}	Data Hold Time for the Output Data Register	F, H
t _{OSUE}	Enable Setup Time for the Output Data Register	G, H
t _{OHE}	Enable Hold Time for the Output Data Register	G, H
t _{OPRE2Q}	Asynchronous Preset-to-Q of the Output Data Register	L, DOUT
t _{OEMPRE}	Asynchronous Preset Removal Time for the Output Data Register	L, H
t _{ORECPRE}	Asynchronous Preset Recovery Time for the Output Data Register	L, H
t _{OECLKQ}	Clock-to-Q of the Output Enable Register	H, EOUT
t _{OESUD}	Data Setup Time for the Output Enable Register	J, H
t _{OEHD}	Data Hold Time for the Output Enable Register	J, H
t _{OESUE}	Enable Setup Time for the Output Enable Register	K, H
t _{OEHE}	Enable Hold Time for the Output Enable Register	K, H
t _{OEPRE2Q}	Asynchronous Preset-to-Q of the Output Enable Register	I, EOUT
t _{OEREMPRE}	Asynchronous Preset Removal Time for the Output Enable Register	I, H
t _{OERCPRE}	Asynchronous Preset Recovery Time for the Output Enable Register	I, H
t _{ICLKQ}	Clock-to-Q of the Input Data Register	A, E
t _{ISUD}	Data Setup Time for the Input Data Register	C, A
t _{IHD}	Data Hold Time for the Input Data Register	C, A
t _{ISUE}	Enable Setup Time for the Input Data Register	B, A
t _{IHE}	Enable Hold Time for the Input Data Register	B, A
t _{IPRE2Q}	Asynchronous Preset-to-Q of the Input Data Register	D, E
t _{IEMPRE}	Asynchronous Preset Removal Time for the Input Data Register	D, A
t _{IRECPRE}	Asynchronous Preset Recovery Time for the Input Data Register	D, A

* See *Figure 2-27 on page 2-83* for more information.



Table 2-153 • Parameter Definition and Measuring Nodes

Parameter Name	Parameter Definition	Measuring Nodes (from, to)*
t _{OCLKQ}	Clock-to-Q of the Output Data Register	HH, DOUT
t _{OSUD}	Data Setup Time for the Output Data Register	FF, HH
t _{OHD}	Data Hold Time for the Output Data Register	FF, HH
t _{OSUE}	Enable Setup Time for the Output Data Register	GG, HH
t _{OHE}	Enable Hold Time for the Output Data Register	GG, HH
t _{OCLR2Q}	Asynchronous Clear-to-Q of the Output Data Register	LL, DOUT
t _{OREMCLR}	Asynchronous Clear Removal Time for the Output Data Register	LL, HH
t _{ORECCLR}	Asynchronous Clear Recovery Time for the Output Data Register	LL, HH
t _{OCLKQ}	Clock-to-Q of the Output Enable Register	HH, EOUT
t _{OESUD}	Data Setup Time for the Output Enable Register	JJ, HH
t _{OEH}	Data Hold Time for the Output Enable Register	JJ, HH
t _{OESUE}	Enable Setup Time for the Output Enable Register	KK, HH
t _{OEH}	Enable Hold Time for the Output Enable Register	KK, HH
t _{OCLR2Q}	Asynchronous Clear-to-Q of the Output Enable Register	II, EOUT
t _{OREMCLR}	Asynchronous Clear Removal Time for the Output Enable Register	II, HH
t _{ORECCLR}	Asynchronous Clear Recovery Time for the Output Enable Register	II, HH
t _{ICKQ}	Clock-to-Q of the Input Data Register	AA, EE
t _{ISUD}	Data Setup Time for the Input Data Register	CC, AA
t _{IHD}	Data Hold Time for the Input Data Register	CC, AA
t _{ISUE}	Enable Setup Time for the Input Data Register	BB, AA
t _{IHE}	Enable Hold Time for the Input Data Register	BB, AA
t _{ICLR2Q}	Asynchronous Clear-to-Q of the Input Data Register	DD, EE
t _{IEMCLR}	Asynchronous Clear Removal Time for the Input Data Register	DD, AA
t _{IRECCLR}	Asynchronous Clear Recovery Time for the Input Data Register	DD, AA

* See Figure 2-28 on page 2-85 for more information.

Input Register

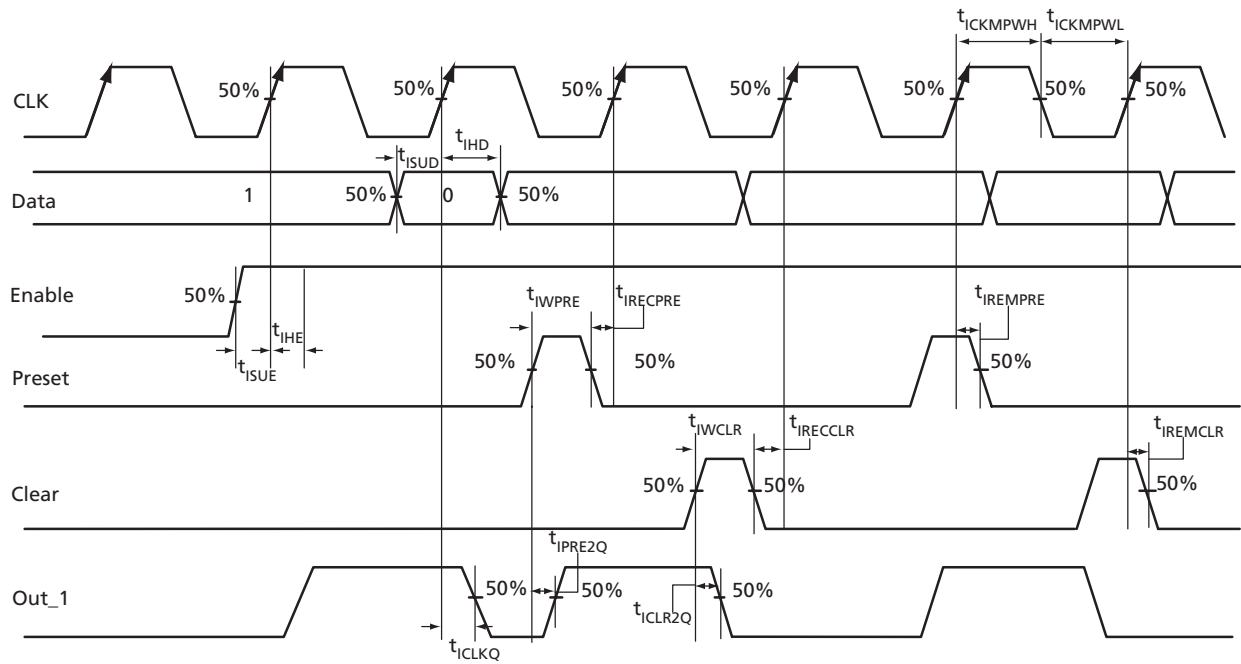


Figure 2-29 • Input Register Timing Diagram

Timing Characteristics

Table 2-154 • Input Data Register Propagation Delays
 Military-Case Conditions: $T_J = 125^\circ\text{C}$, Worst-Case $V_{CC} = 1.14\text{ V}$ for A3PE600L and A3PE3000L

Parameter	Description	-1	Std.	Units
t_{iCLKQ}	Clock-to-Q of the Input Data Register	0.33	0.39	ns
t_{iSUD}	Data Setup Time for the Input Data Register	0.36	0.43	ns
t_{iHD}	Data Hold Time for the Input Data Register	0.00	0.00	ns
t_{iSUE}	Enable Setup Time for the Input Data Register	0.51	0.60	ns
t_{iHE}	Enable Hold Time for the Input Data Register	0.00	0.00	ns
t_{iCLR2Q}	Asynchronous Clear-to-Q of the Input Data Register	0.63	0.74	ns
t_{iPRE2Q}	Asynchronous Preset-to-Q of the Input Data Register	0.63	0.74	ns
$t_{iREMCLR}$	Asynchronous Clear Removal Time for the Input Data Register	0.00	0.00	ns
t_{iRECLR}	Asynchronous Clear Recovery Time for the Input Data Register	0.31	0.36	ns
$t_{iREMPRE}$	Asynchronous Preset Removal Time for the Input Data Register	0.00	0.00	ns
$t_{iRECPRE}$	Asynchronous Preset Recovery Time for the Input Data Register	0.31	0.36	ns
t_{iWCLR}	Asynchronous Clear Minimum Pulse Width for the Input Data Register	0.19	0.22	ns
t_{iWPRE}	Asynchronous Preset Minimum Pulse Width for the Input Data Register	0.19	0.22	ns
$t_{iCKMPWH}$	Clock Minimum Pulse Width HIGH for the Input Data Register	0.31	0.36	ns
$t_{iCKMPWL}$	Clock Minimum Pulse Width LOW for the Input Data Register	0.28	0.32	ns

Note: For specific junction temperature and voltage supply levels, refer to [Table 2-5 on page 2-8](#) for derating values.

Table 2-155 • Input Data Register Propagation Delays
 Military-Case Conditions: $T_J = 125^\circ\text{C}$, $V_{CC} = 1.425\text{ V}$ for A3PE600L and A3PE3000L

Parameter	Description	-1	Std.	Units
t_{iCLKQ}	Clock-to-Q of the Input Data Register	0.25	0.30	ns
t_{iSUD}	Data Setup Time for the Input Data Register	0.28	0.33	ns
t_{iHD}	Data Hold Time for the Input Data Register	0.00	0.00	ns
t_{iSUE}	Enable Setup Time for the Input Data Register	0.39	0.46	ns
t_{iHE}	Enable Hold Time for the Input Data Register	0.00	0.00	ns
t_{iCLR2Q}	Asynchronous Clear-to-Q of the Input Data Register	0.48	0.56	ns
t_{iPRE2Q}	Asynchronous Preset-to-Q of the Input Data Register	0.48	0.56	ns
$t_{iREMCLR}$	Asynchronous Clear Removal Time for the Input Data Register	0.00	0.00	ns
t_{iRECLR}	Asynchronous Clear Recovery Time for the Input Data Register	0.24	0.28	ns
$t_{iREMPRE}$	Asynchronous Preset Removal Time for the Input Data Register	0.00	0.00	ns
$t_{iRECPRE}$	Asynchronous Preset Recovery Time for the Input Data Register	0.24	0.28	ns
t_{iWCLR}	Asynchronous Clear Minimum Pulse Width for the Input Data Register	0.19	0.22	ns
t_{iWPRE}	Asynchronous Preset Minimum Pulse Width for the Input Data Register	0.19	0.22	ns
$t_{iCKMPWH}$	Clock Minimum Pulse Width HIGH for the Input Data Register	0.31	0.36	ns
$t_{iCKMPWL}$	Clock Minimum Pulse Width LOW for the Input Data Register	0.28	0.32	ns

Note: For specific junction temperature and voltage supply levels, refer to [Table 2-5 on page 2-8](#) for derating values.



Table 2-156 • Input Data Register Propagation Delays
Military-Case Conditions: $T_J = 125^\circ\text{C}$, Worst-Case $V_{CC} = 1.425\text{ V}$ for A3P1000

Parameter	Description	-1	Std.	Units
t_{iCLKQ}	Clock-to-Q of the Input Data Register	0.29	0.34	ns
t_{iSUD}	Data Setup Time for the Input Data Register	0.32	0.37	ns
t_{iHD}	Data Hold Time for the Input Data Register	0.00	0.00	ns
t_{iSUE}	Enable Setup Time for the Input Data Register	0.45	0.53	ns
t_{iHE}	Enable Hold Time for the Input Data Register	0.00	0.00	ns
t_{iCLR2Q}	Asynchronous Clear-to-Q of the Input Data Register	0.55	0.64	ns
t_{iPRE2Q}	Asynchronous Preset-to-Q of the Input Data Register	0.55	0.64	ns
$t_{iREMCLR}$	Asynchronous Clear Removal Time for the Input Data Register	0.00	0.00	ns
$t_{iRECCLR}$	Asynchronous Clear Recovery Time for the Input Data Register	0.27	0.31	ns
$t_{iREMPRE}$	Asynchronous Preset Removal Time for the Input Data Register	0.00	0.00	ns
$t_{iRECPRE}$	Asynchronous Preset Recovery Time for the Input Data Register	0.27	0.31	ns
t_{iWCLR}	Asynchronous Clear Minimum Pulse Width for the Input Data Register	0.25	0.30	ns
t_{iWPRE}	Asynchronous Preset Minimum Pulse Width for the Input Data Register	0.25	0.30	ns
$t_{iCKMPWH}$	Clock Minimum Pulse Width HIGH for the Input Data Register	0.41	0.48	ns
$t_{iCKMPWL}$	Clock Minimum Pulse Width LOW for the Input Data Register	0.37	0.43	ns

Note: For specific junction temperature and voltage supply levels, refer to [Table 2-6 on page 2-8](#) for derating values.

Output Register

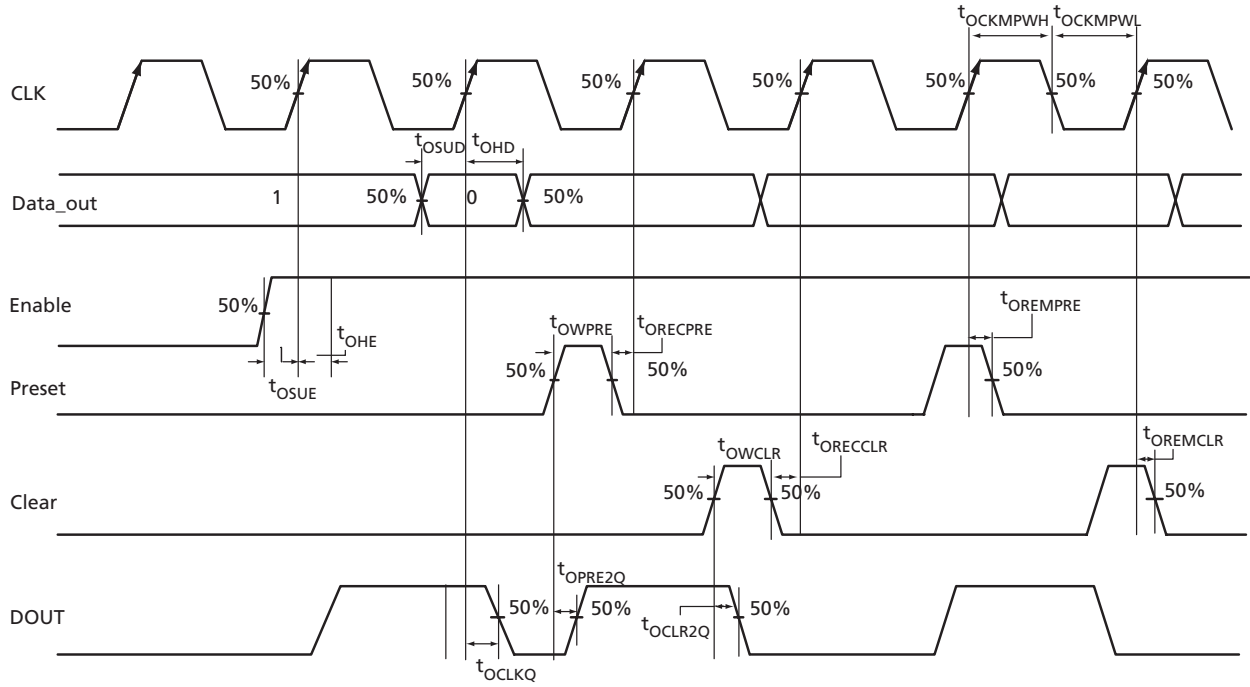


Figure 2-30 • Output Register Timing Diagram

Timing Characteristics

Table 2-157 • Output Data Register Propagation Delays
 Military-Case Conditions: $T_J = 125^\circ\text{C}$, Worst-Case $V_{CC} = 1.14\text{ V}$ for A3PE600L and A3PE3000L

Parameter	Description	-1	Std.	Units
t_{CLKQ}	Clock-to-Q of the Output Data Register	0.81	0.96	ns
t_{OSUD}	Data Setup Time for the Output Data Register	0.43	0.51	ns
t_{OHD}	Data Hold Time for the Output Data Register	0.00	0.00	ns
t_{OSUE}	Enable Setup Time for the Output Data Register	0.61	0.71	ns
t_{OHE}	Enable Hold Time for the Output Data Register	0.00	0.00	ns
t_{OCLR2Q}	Asynchronous Clear-to-Q of the Output Data Register	1.11	1.31	ns
t_{OPRE2Q}	Asynchronous Preset-to-Q of the Output Data Register	1.11	1.31	ns
t_{OREMCLR}	Asynchronous Clear Removal Time for the Output Data Register	0.00	0.00	ns
t_{ORECCLR}	Asynchronous Clear Recovery Time for the Output Data Register	0.31	0.36	ns
t_{OREMPRE}	Asynchronous Preset Removal Time for the Output Data Register	0.00	0.00	ns
t_{ORECPRE}	Asynchronous Preset Recovery Time for the Output Data Register	0.31	0.36	ns
t_{OWCLR}	Asynchronous Clear Minimum Pulse Width for the Output Data Register	0.19	0.22	ns
t_{OWPRE}	Asynchronous Preset Minimum Pulse Width for the Output Data Register	0.19	0.22	ns
t_{OCKMPWH}	Clock Minimum Pulse Width HIGH for the Output Data Register	0.31	0.36	ns
t_{OCKMPWL}	Clock Minimum Pulse Width LOW for the Output Data Register	0.28	0.32	ns

Note: For specific junction temperature and voltage supply levels, refer to [Table 2-5 on page 2-8](#) for derating values.

Table 2-158 • Output Data Register Propagation Delays
 Military-Case Conditions: $T_J = 125^\circ\text{C}$, $V_{CC} = 1.425\text{ V}$ for A3PE600L and A3PE3000L

Parameter	Description	-1	Std.	Units
t_{CLKQ}	Clock-to-Q of the Output Data Register	0.62	0.73	ns
t_{OSUD}	Data Setup Time for the Output Data Register	0.33	0.39	ns
t_{OHD}	Data Hold Time for the Output Data Register	0.00	0.00	ns
t_{OSUE}	Enable Setup Time for the Output Data Register	0.46	0.55	ns
t_{OHE}	Enable Hold Time for the Output Data Register	0.00	0.00	ns
t_{OCLR2Q}	Asynchronous Clear-to-Q of the Output Data Register	0.85	1.00	ns
t_{OPRE2Q}	Asynchronous Preset-to-Q of the Output Data Register	0.85	1.00	ns
t_{OREMCLR}	Asynchronous Clear Removal Time for the Output Data Register	0.00	0.00	ns
t_{ORECCLR}	Asynchronous Clear Recovery Time for the Output Data Register	0.24	0.28	ns
t_{OREMPRE}	Asynchronous Preset Removal Time for the Output Data Register	0.00	0.00	ns
t_{ORECPRE}	Asynchronous Preset Recovery Time for the Output Data Register	0.24	0.28	ns
t_{OWCLR}	Asynchronous Clear Minimum Pulse Width for the Output Data Register	0.19	0.22	ns
t_{OWPRE}	Asynchronous Preset Minimum Pulse Width for the Output Data Register	0.19	0.22	ns
t_{OCKMPWH}	Clock Minimum Pulse Width HIGH for the Output Data Register	0.31	0.36	ns
t_{OCKMPWL}	Clock Minimum Pulse Width LOW for the Output Data Register	0.28	0.32	ns

Note: For specific junction temperature and voltage supply levels, refer to [Table 2-5 on page 2-8](#) for derating values.

Table 2-159 • Output Data Register Propagation Delays
Military-Case Conditions: $T_J = 125^\circ\text{C}$, Worst-Case $V_{CC} = 1.425\text{ V}$ for A3P1000

Parameter	Description	-1	Std.	Units
t _{CLKQ}	Clock-to-Q of the Output Data Register	0.71	0.83	ns
t _{OSUD}	Data Setup Time for the Output Data Register	0.38	0.44	ns
t _{OHD}	Data Hold Time for the Output Data Register	0.00	0.00	ns
t _{OSUE}	Enable Setup Time for the Output Data Register	0.53	0.62	ns
t _{OHE}	Enable Hold Time for the Output Data Register	0.00	0.00	ns
t _{OCLR2Q}	Asynchronous Clear-to-Q of the Output Data Register	0.97	1.14	ns
t _{OPRE2Q}	Asynchronous Preset-to-Q of the Output Data Register	0.97	1.14	ns
t _{OREMCLR}	Asynchronous Clear Removal Time for the Output Data Register	0.00	0.00	ns
t _{ORECCLR}	Asynchronous Clear Recovery Time for the Output Data Register	0.27	0.31	ns
t _{OREMPRE}	Asynchronous Preset Removal Time for the Output Data Register	0.00	0.00	ns
t _{ORECPRE}	Asynchronous Preset Recovery Time for the Output Data Register	0.27	0.31	ns
t _{OWCLR}	Asynchronous Clear Minimum Pulse Width for the Output Data Register	0.25	0.30	ns
t _{OWPRE}	Asynchronous Preset Minimum Pulse Width for the Output Data Register	0.25	0.30	ns
t _{OCKMPWH}	Clock Minimum Pulse Width HIGH for the Output Data Register	0.41	0.48	ns
t _{OCKMPWL}	Clock Minimum Pulse Width LOW for the Output Data Register	0.37	0.43	ns

Note: For specific junction temperature and voltage supply levels, refer to [Table 2-6 on page 2-8](#) for derating values.

Output Enable Register

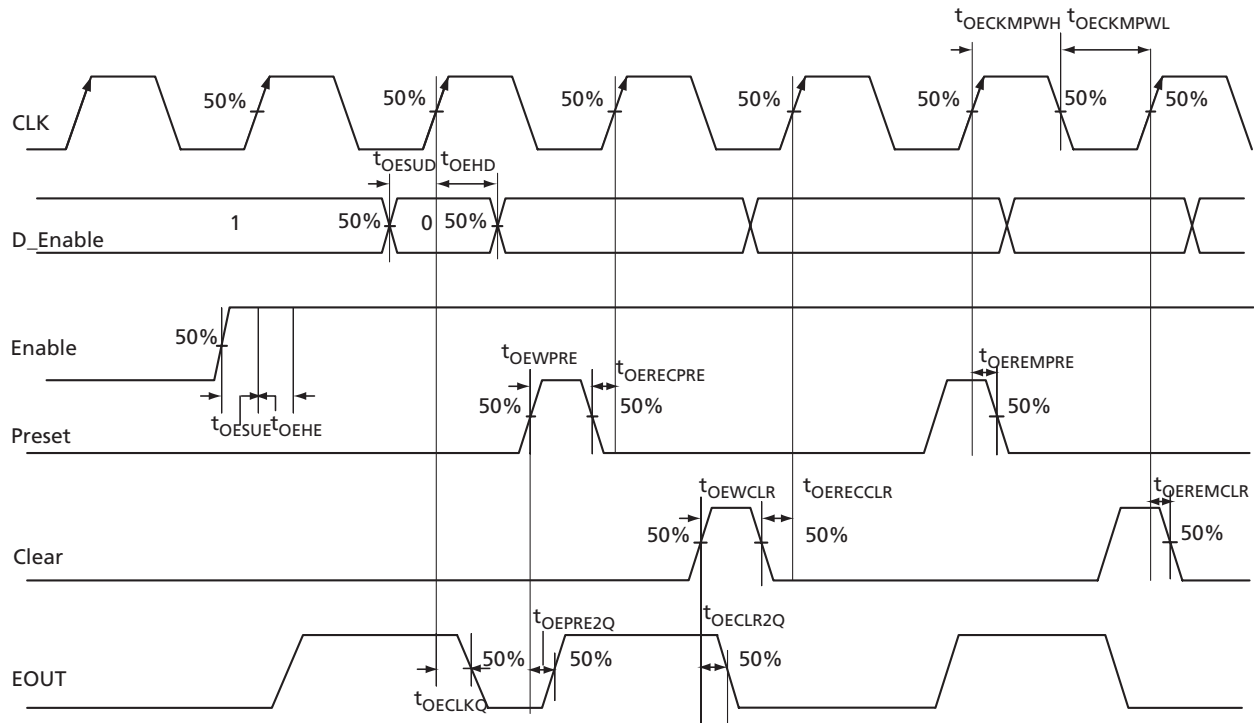


Figure 2-31 • Output Enable Register Timing Diagram

Timing Characteristics

Table 2-160 • Output Enable Register Propagation Delays
 Military-Case Conditions: $T_J = 125^\circ\text{C}$, Worst-Case $V_{CC} = 1.14\text{ V}$ for A3PE600L and A3PE3000L

Parameter	Description	-1	Std.	Units
t _{OECLKQ}	Clock-to-Q of the Output Enable Register	0.62	0.72	ns
t _{OESUD}	Data Setup Time for the Output Enable Register	0.43	0.51	ns
t _{OEHD}	Data Hold Time for the Output Enable Register	0.00	0.00	ns
t _{OESUE}	Enable Setup Time for the Output Enable Register	0.60	0.71	ns
t _{OEHE}	Enable Hold Time for the Output Enable Register	0.00	0.00	ns
t _{OECLR2Q}	Asynchronous Clear-to-Q of the Output Enable Register	0.92	1.08	ns
t _{OEPRE2Q}	Asynchronous Preset-to-Q of the Output Enable Register	0.92	1.08	ns
t _{OEREMCLR}	Asynchronous Clear Removal Time for the Output Enable Register	0.00	0.00	ns
t _{OERECCLR}	Asynchronous Clear Recovery Time for the Output Enable Register	0.31	0.36	ns
t _{OEREMPRE}	Asynchronous Preset Removal Time for the Output Enable Register	0.00	0.00	ns
t _{OERECPRE}	Asynchronous Preset Recovery Time for the Output Enable Register	0.31	0.36	ns
t _{OEWCCLR}	Asynchronous Clear Minimum Pulse Width for the Output Enable Register	0.19	0.22	ns
t _{OEWCPRE}	Asynchronous Preset Minimum Pulse Width for the Output Enable Register	0.19	0.22	ns
t _{OECKMPWH}	Clock Minimum Pulse Width HIGH for the Output Enable Register	0.31	0.36	ns
t _{OECKMPWL}	Clock Minimum Pulse Width LOW for the Output Enable Register	0.28	0.32	ns

Note: For specific junction temperature and voltage supply levels, refer to [Table 2-5 on page 2-8](#) for derating values.

Table 2-161 • Output Enable Register Propagation Delays
 Military-Case Conditions: $T_J = 125^\circ\text{C}$, $V_{CC} = 1.425\text{ V}$ for A3PE600L and A3PE3000L

Parameter	Description	-1	Std.	Units
t _{OECLKQ}	Clock-to-Q of the Output Enable Register	0.47	0.55	ns
t _{OESUD}	Data Setup Time for the Output Enable Register	0.33	0.39	ns
t _{OEHD}	Data Hold Time for the Output Enable Register	0.00	0.00	ns
t _{OESUE}	Enable Setup Time for the Output Enable Register	0.46	0.54	ns
t _{OEHE}	Enable Hold Time for the Output Enable Register	0.00	0.00	ns
t _{OECLR2Q}	Asynchronous Clear-to-Q of the Output Enable Register	0.70	0.83	ns
t _{OEPRE2Q}	Asynchronous Preset-to-Q of the Output Enable Register	0.70	0.83	ns
t _{OEREMCLR}	Asynchronous Clear Removal Time for the Output Enable Register	0.00	0.00	ns
t _{OERECCLR}	Asynchronous Clear Recovery Time for the Output Enable Register	0.24	0.28	ns
t _{OEREMPRE}	Asynchronous Preset Removal Time for the Output Enable Register	0.00	0.00	ns
t _{OERECPRE}	Asynchronous Preset Recovery Time for the Output Enable Register	0.24	0.28	ns
t _{OEWCCLR}	Asynchronous Clear Minimum Pulse Width for the Output Enable Register	0.19	0.22	ns
t _{OEWCPRE}	Asynchronous Preset Minimum Pulse Width for the Output Enable Register	0.19	0.22	ns
t _{OECKMPWH}	Clock Minimum Pulse Width HIGH for the Output Enable Register	0.31	0.36	ns
t _{OECKMPWL}	Clock Minimum Pulse Width LOW for the Output Enable Register	0.28	0.32	ns

Note: For specific junction temperature and voltage supply levels, refer to [Table 2-5 on page 2-8](#) for derating values.



Table 2-162 • Output Enable Register Propagation Delays
Military-Case Conditions: $T_J = 125^\circ\text{C}$, Worst-Case $V_{CC} = 1.425\text{ V}$ for A3P1000

Parameter	Description	-1	Std.	Units
t _{OECLKQ}	Clock-to-Q of the Output Enable Register	0.54	0.63	ns
t _{OESUD}	Data Setup Time for the Output Enable Register	0.38	0.44	ns
t _{OEHD}	Data Hold Time for the Output Enable Register	0.00	0.00	ns
t _{OESUE}	Enable Setup Time for the Output Enable Register	0.52	0.62	ns
t _{OEHE}	Enable Hold Time for the Output Enable Register	0.00	0.00	ns
t _{OECLR2Q}	Asynchronous Clear-to-Q of the Output Enable Register	0.80	0.94	ns
t _{OEPRE2Q}	Asynchronous Preset-to-Q of the Output Enable Register	0.80	0.94	ns
t _{OEREMCLR}	Asynchronous Clear Removal Time for the Output Enable Register	0.00	0.00	ns
t _{OERECCLR}	Asynchronous Clear Recovery Time for the Output Enable Register	0.27	0.31	ns
t _{OEREMPRE}	Asynchronous Preset Removal Time for the Output Enable Register	0.00	0.00	ns
t _{OERECPRE}	Asynchronous Preset Recovery Time for the Output Enable Register	0.27	0.31	ns
t _{OEWCCLR}	Asynchronous Clear Minimum Pulse Width for the Output Enable Register	0.25	0.30	ns
t _{OEWPRE}	Asynchronous Preset Minimum Pulse Width for the Output Enable Register	0.25	0.30	ns
t _{OECKMPWH}	Clock Minimum Pulse Width HIGH for the Output Enable Register	0.41	0.48	ns
t _{OECKMPWL}	Clock Minimum Pulse Width LOW for the Output Enable Register	0.37	0.43	ns

Note: For specific junction temperature and voltage supply levels, refer to [Table 2-6 on page 2-8](#) for derating values.

DDR Module Specifications

Input DDR Module

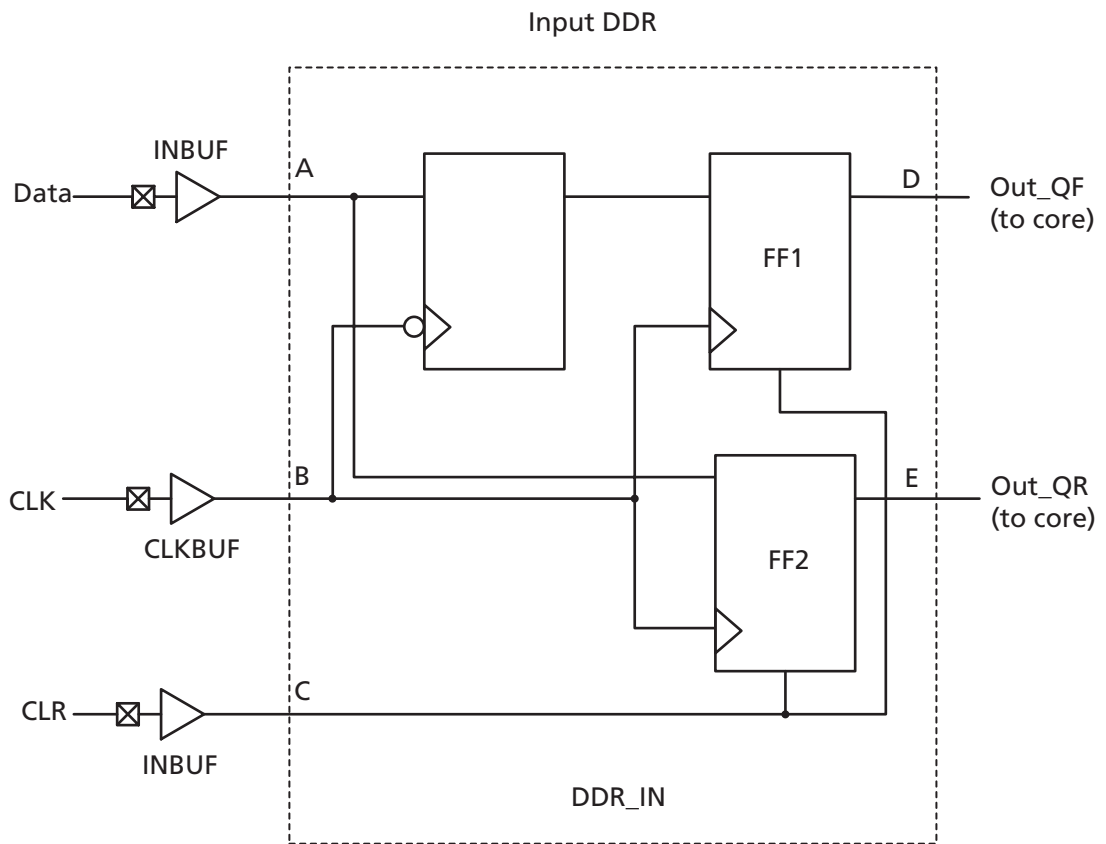
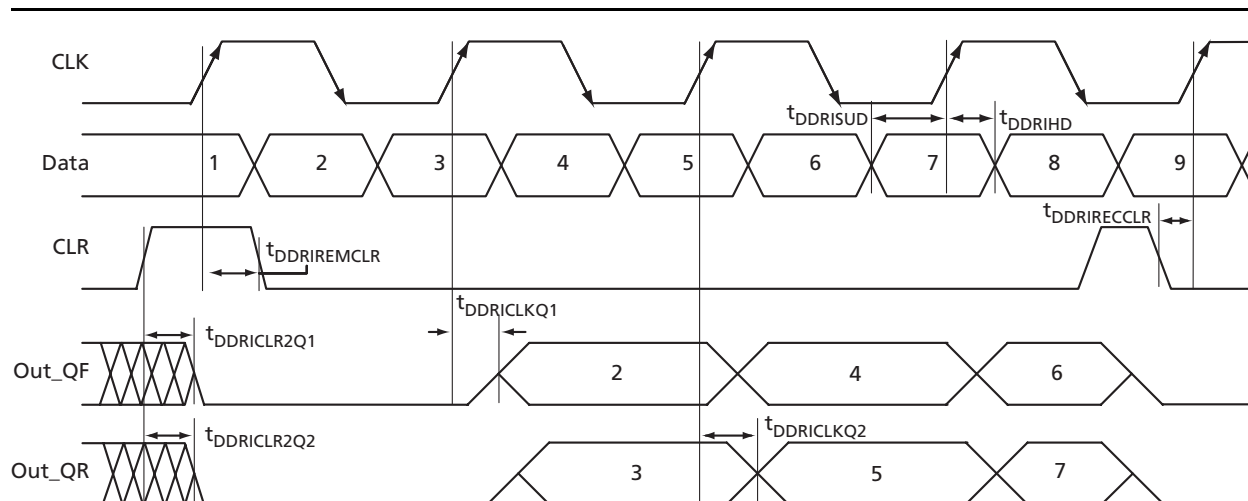


Figure 2-32 • Input DDR Timing Model

Table 2-163 • Parameter Definitions

Parameter Name	Parameter Definition	Measuring Nodes (from, to)
$t_{DDRICKQ1}$	Clock-to-Out Out_QR	B, D
$t_{DDRICKQ2}$	Clock-to-Out Out_QF	B, E
$t_{DDRISUD}$	Data Setup Time of DDR input	A, B
t_{DDRIRD}	Data Hold Time of DDR input	A, B
$t_{DDRICLR2Q1}$	Clear-to-Out Out_QR	C, D
$t_{DDRICLR2Q2}$	Clear-to-Out Out_QF	C, E
$t_{DDRIREMCLR}$	Clear Removal	C, B
$t_{DDRIRECCLR}$	Clear Recovery	C, B


Figure 2-33 • Input DDR Timing Diagram

Timing Characteristics

Table 2-164 • Input DDR Propagation Delays

 Military-Case Conditions: $T_J = 125^\circ\text{C}$, Worst-Case $V_{CC} = 1.14\text{ V}$ for A3PE600L and A3PE3000L

Parameter	Description	-1	Std.	Units
t_{DDRICKQ1}	Clock-to-Out Out_QR for Input DDR	0.38	0.45	ns
t_{DDRICKQ2}	Clock-to-Out Out_QF for Input DDR	0.54	0.63	ns
t_{DDRISUD1}	Data Setup for Input DDR (fall)	0.39	0.46	ns
t_{DDRISUD2}	Data Setup for Input DDR (rise)	0.34	0.40	ns
t_{DDRIHD1}	Data Hold for Input DDR (fall)	0.00	0.00	ns
t_{DDRIHD2}	Data Hold for Input DDR (rise)	0.00	0.00	ns
$t_{\text{DDRICLR2Q1}}$	Asynchronous Clear-to-Out Out_QR for Input DDR	0.64	0.75	ns
$t_{\text{DDRICLR2Q2}}$	Asynchronous Clear-to-Out Out_QF for Input DDR	0.79	0.93	ns
$t_{\text{DDRIREMCLR}}$	Asynchronous Clear Removal Time for Input DDR	0.00	0.00	ns
$t_{\text{DDRIRECCLR}}$	Asynchronous Clear Recovery Time for Input DDR	0.31	0.36	ns
t_{DDRiWCLR}	Asynchronous Clear Minimum Pulse Width for Input DDR	0.19	0.22	ns
$t_{\text{DDRICKMPWH}}$	Clock Minimum Pulse Width HIGH for Input DDR	0.31	0.36	ns
$t_{\text{DDRICKMPWL}}$	Clock Minimum Pulse Width LOW for Input DDR	0.28	0.32	ns
F_{DDRIMAX}	Maximum Frequency for Input DDR	TBD	TBD	MHz

Note: For specific junction temperature and voltage supply levels, refer to [Table 2-5 on page 2-8](#) for derating values.

Table 2-165 • Input DDR Propagation Delays
Military-Case Conditions: $T_J = 125^\circ\text{C}$, $V_{CC} = 1.425\text{ V}$ for any A3PE600L/A3PE3000L

Parameter	Description	-1	Std.	Units
$t_{\text{DDRICKLQ1}}$	Clock-to-Out Out_QR for Input DDR	0.29	0.34	ns
$t_{\text{DDRICKLQ2}}$	Clock-to-Out Out_QF for Input DDR	0.41	0.48	ns
t_{DDRISUD1}	Data Setup for Input DDR (fall)	0.30	0.35	ns
t_{DDRISUD2}	Data Setup for Input DDR (rise)	0.26	0.31	ns
t_{DDRIHD1}	Data Hold for Input DDR (fall)	0.00	0.00	ns
t_{DDRIHD2}	Data Hold for Input DDR (rise)	0.00	0.00	ns
$t_{\text{DDRICLR2Q1}}$	Asynchronous Clear-to-Out Out_QR for Input DDR	0.49	0.58	ns
$t_{\text{DDRICLR2Q2}}$	Asynchronous Clear-to-Out Out_QF for Input DDR	0.60	0.71	ns
$t_{\text{DDRIREMCLR}}$	Asynchronous Clear Removal Time for Input DDR	0.00	0.00	ns
$t_{\text{DDRIRECCLR}}$	Asynchronous Clear Recovery Time for Input DDR	0.24	0.28	ns
$t_{\text{DDR IWCLR}}$	Asynchronous Clear Minimum Pulse Width for Input DDR	0.19	0.22	ns
$t_{\text{DDRICKMPWH}}$	Clock Minimum Pulse Width HIGH for Input DDR	0.31	0.36	ns
$t_{\text{DDRICKMPWL}}$	Clock Minimum Pulse Width LOW for Input DDR	0.28	0.32	ns
F_{DDRIMAX}	Maximum Frequency for Input DDR	TBD	TBD	MHz

Note: For specific junction temperature and voltage supply levels, refer to Table 2-5 on page 2-8 for derating values.

Table 2-166 • Input DDR Propagation Delays
Military-Case Conditions: $T_J = 125^\circ\text{C}$, Worst-Case $V_{CC} = 1.425\text{ V}$ for A3P1000

Parameter	Description	-1	Std.	Units
$t_{\text{DDRICKLQ1}}$	Clock-to-Out Out_QR for Input DDR	0.33	0.39	ns
$t_{\text{DDRICKLQ2}}$	Clock-to-Out Out_QF for Input DDR	0.47	0.55	ns
t_{DDRISUD1}	Data Setup for Input DDR (fall)	0.30	0.35	ns
t_{DDRISUD2}	Data Setup for Input DDR (rise)	0.30	0.35	ns
t_{DDRIHD1}	Data Hold for Input DDR (fall)	0.00	0.00	ns
t_{DDRIHD2}	Data Hold for Input DDR (rise)	0.00	0.00	ns
$t_{\text{DDRICLR2Q1}}$	Asynchronous Clear-to-Out Out_QR for Input DDR	0.56	0.65	ns
$t_{\text{DDRICLR2Q2}}$	Asynchronous Clear-to-Out Out_QF for Input DDR	0.69	0.81	ns
$t_{\text{DDRIREMCLR}}$	Asynchronous Clear Removal Time for Input DDR	0.00	0.00	ns
$t_{\text{DDRIRECCLR}}$	Asynchronous Clear Recovery Time for Input DDR	0.27	0.31	ns
$t_{\text{DDR IWCLR}}$	Asynchronous Clear Minimum Pulse Width for Input DDR	0.25	0.30	ns
$t_{\text{DDRICKMPWH}}$	Clock Minimum Pulse Width HIGH for Input DDR	0.41	0.48	ns
$t_{\text{DDRICKMPWL}}$	Clock Minimum Pulse Width LOW for Input DDR	0.37	0.43	ns
F_{DDRIMAX}	Maximum Frequency for Input DDR	TBD	TBD	MHz

Note: For specific junction temperature and voltage supply levels, refer to Table 2-6 on page 2-8 for derating values.

Output DDR Module

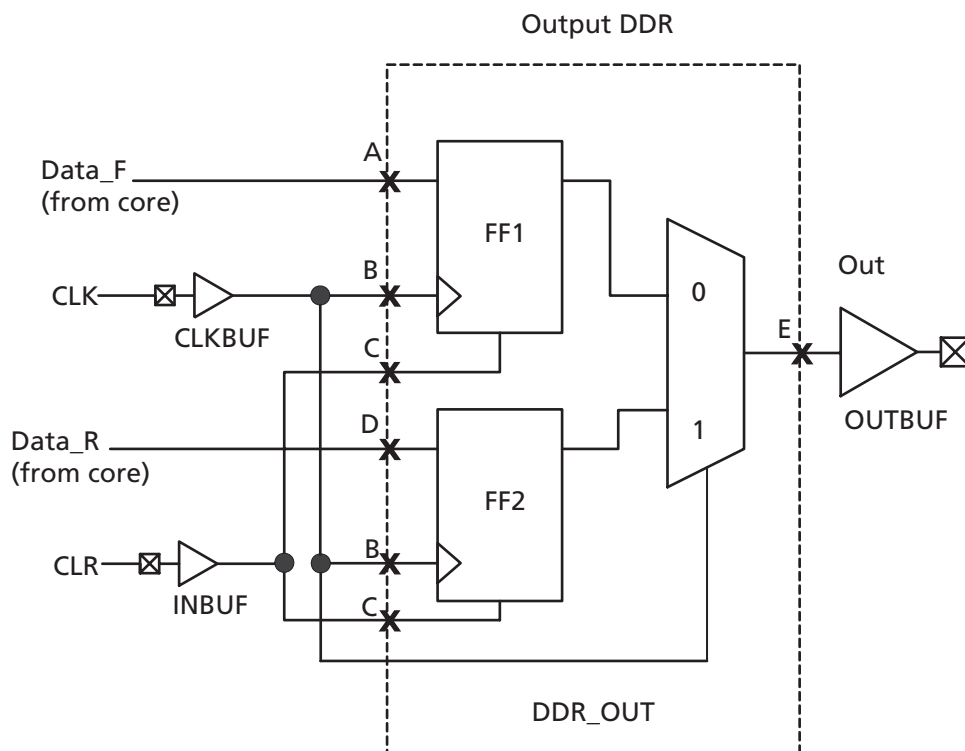


Figure 2-34 • Output DDR Timing Model

Table 2-167 • Parameter Definitions

Parameter Name	Parameter Definition	Measuring Nodes (from, to)
$t_{DDROCLKQ}$	Clock-to-Out	B, E
$t_{DDROCLR2Q}$	Asynchronous Clear-to-Out	C, E
$t_{DDROREMCLR}$	Clear Removal	C, B
$t_{DDRORECLR}$	Clear Recovery	C, B
$t_{DDROSUD1}$	Data Setup Data_F	A, B
$t_{DDROSUD2}$	Data Setup Data_R	D, B
$t_{DDROHD1}$	Data Hold Data_F	A, B
$t_{DDROHD2}$	Data Hold Data_R	D, B

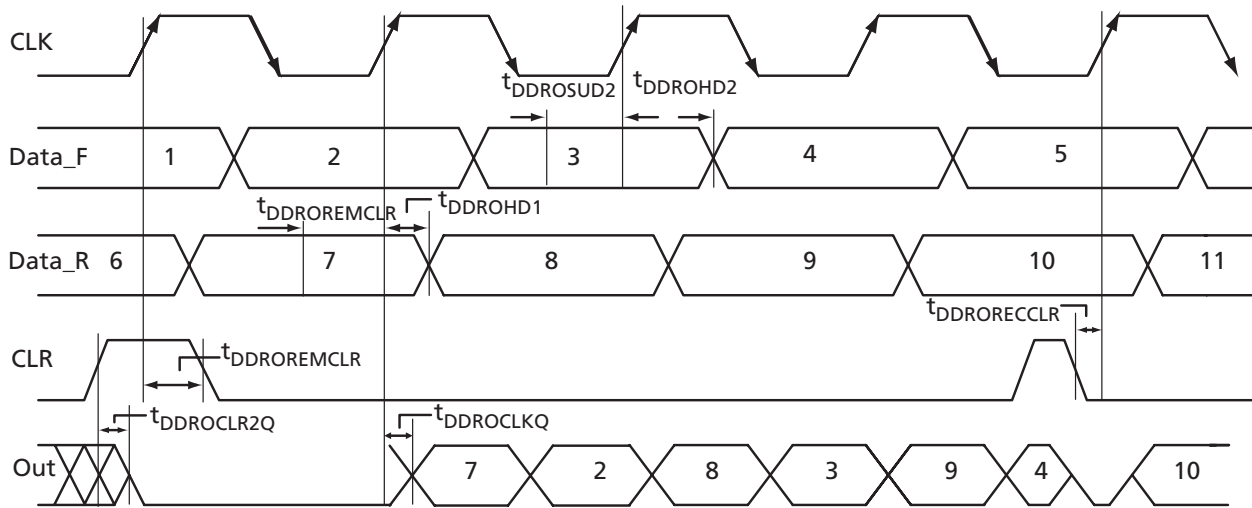


Figure 2-35 • Output DDR Timing Diagram

Timing Characteristics

Table 2-168 • Output DDR Propagation Delays

Military-Case Conditions: $T_j = 125^\circ\text{C}$, Worst-Case $V_{CC} = 1.14\text{ V}$ for A3PE600L and A3PE3000L

Parameter	Description	-1	Std.	Units
$t_{DDROCLKQ}$	Clock-to-Out of DDR for Output DDR	0.97	1.14	ns
$t_{DDRISUD1}$	Data_F Data Setup for Output DDR	0.52	0.62	ns
$t_{DDROSUD2}$	Data_R Data Setup for Output DDR	0.52	0.62	ns
$t_{DDROHD1}$	Data_F Data Hold for Output DDR	0.00	0.00	ns
$t_{DDROHD2}$	Data_R Data Hold for Output DDR	0.00	0.00	ns
$t_{DDROCLR2Q}$	Asynchronous Clear-to-Out for Output DDR	1.11	1.30	ns
$t_{DDROEMCLR}$	Asynchronous Clear Removal Time for Output DDR	0.00	0.00	ns
$t_{DDROECCLR}$	Asynchronous Clear Recovery Time for Output DDR	0.31	0.36	ns
$t_{DDROWCLR1}$	Asynchronous Clear Minimum Pulse Width for Output DDR	0.19	0.22	ns
$t_{DDROCKMPWH}$	Clock Minimum Pulse Width HIGH for the Output DDR	0.31	0.36	ns
$t_{DDROCKMPWL}$	Clock Minimum Pulse Width LOW for the Output DDR	0.28	0.32	ns
F_{DDOMAX}	Maximum Frequency for the Output DDR	TBD	TBD	MHz

Note: For specific junction temperature and voltage supply levels, refer to Table 2-5 on page 2-8 for derating values.



Table 2-169 • Output DDR Propagation Delays
Military-Case Conditions: $T_J = 125^\circ\text{C}$, $V_{CC} = 1.425\text{ V}$ for A3PE600L/A3PE3000L

Parameter	Description	-1	Std.	Units
$t_{DDROCLKQ}$	Clock-to-Out of DDR for Output DDR	0.74	0.87	ns
$t_{DDRISUD1}$	Data_F Data Setup for Output DDR	0.40	0.47	ns
$t_{DDROSUD2}$	Data_R Data Setup for Output DDR	0.40	0.47	ns
$t_{DDROHD1}$	Data_F Data Hold for Output DDR	0.00	0.00	ns
$t_{DDROHD2}$	Data_R Data Hold for Output DDR	0.00	0.00	ns
$t_{DDROCLR2Q}$	Asynchronous Clear-to-Out for Output DDR	0.85	1.00	ns
$t_{DDROREMCLR}$	Asynchronous Clear Removal Time for Output DDR	0.00	0.00	ns
$t_{DDRORECCLR}$	Asynchronous Clear Recovery Time for Output DDR	0.24	0.28	ns
$t_{DDROWCLR1}$	Asynchronous Clear Minimum Pulse Width for Output DDR	0.19	0.22	ns
$t_{DDROCKMPWH}$	Clock Minimum Pulse Width HIGH for the Output DDR	0.31	0.36	ns
$t_{DDROCKMPWL}$	Clock Minimum Pulse Width LOW for the Output DDR	0.28	0.32	ns
F_{DDOMAX}	Maximum Frequency for the Output DDR	TBD	TBD	MHz

Note: For specific junction temperature and voltage supply levels, refer to [Table 2-5 on page 2-8](#) for derating values.

Table 2-170 • Output DDR Propagation Delays
Military-Case Conditions: $T_J = 125^\circ\text{C}$, Worst-Case $V_{CC} = 1.425\text{ V}$ for A3P1000

Parameter	Description	-1	Std.	Units
$t_{DDROCLKQ}$	Clock-to-Out of DDR for Output DDR	0.84	0.99	ns
$t_{DDRISUD1}$	Data_F Data Setup for Output DDR	0.46	0.54	ns
$t_{DDROSUD2}$	Data_R Data Setup for Output DDR	0.46	0.54	ns
$t_{DDROHD1}$	Data_F Data Hold for Output DDR	0.00	0.00	ns
$t_{DDROHD2}$	Data_R Data Hold for Output DDR	0.00	0.00	ns
$t_{DDROCLR2Q}$	Asynchronous Clear-to-Out for Output DDR	0.96	1.13	ns
$t_{DDROREMCLR}$	Asynchronous Clear Removal Time for Output DDR	0.00	0.00	ns
$t_{DDRORECCLR}$	Asynchronous Clear Recovery Time for Output DDR	0.27	0.31	ns
$t_{DDROWCLR1}$	Asynchronous Clear Minimum Pulse Width for Output DDR	0.25	0.30	ns
$t_{DDROCKMPWH}$	Clock Minimum Pulse Width HIGH for the Output DDR	0.41	0.48	ns
$t_{DDROCKMPWL}$	Clock Minimum Pulse Width LOW for the Output DDR	0.37	0.43	ns
F_{DDOMAX}	Maximum Frequency for the Output DDR	TBD	TBD	MHz

Note: For specific junction temperature and voltage supply levels, refer to [Table 2-6 on page 2-8](#) for derating values.

VersaTile Characteristics

VersaTile Specifications as a Combinatorial Module

The military ProASIC3 library offers all combinations of LUT-3 combinatorial functions. In this section, timing characteristics are presented for a sample of the library. For more details, refer to the *IGLOO, Fusion, and ProASIC3 Macro Library Guide*.

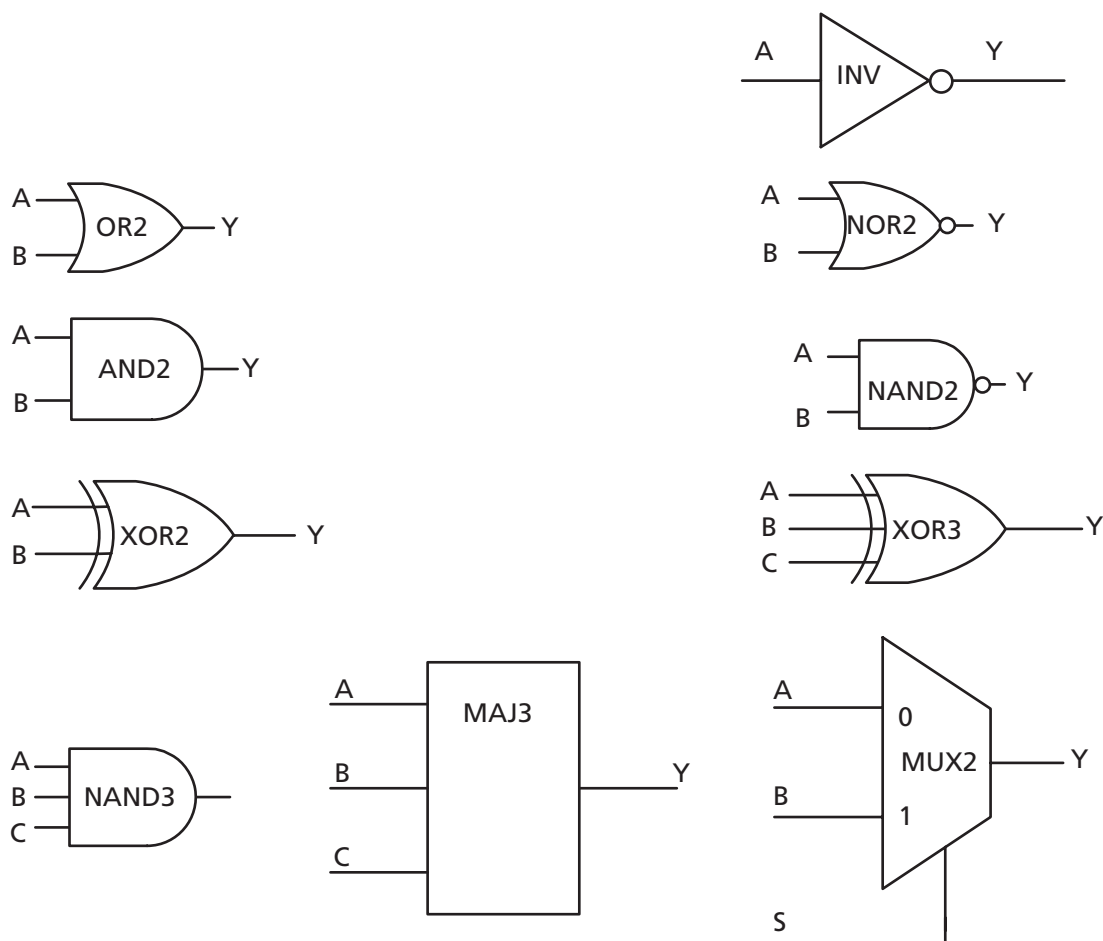


Figure 2-36 • Sample of Combinatorial Cells

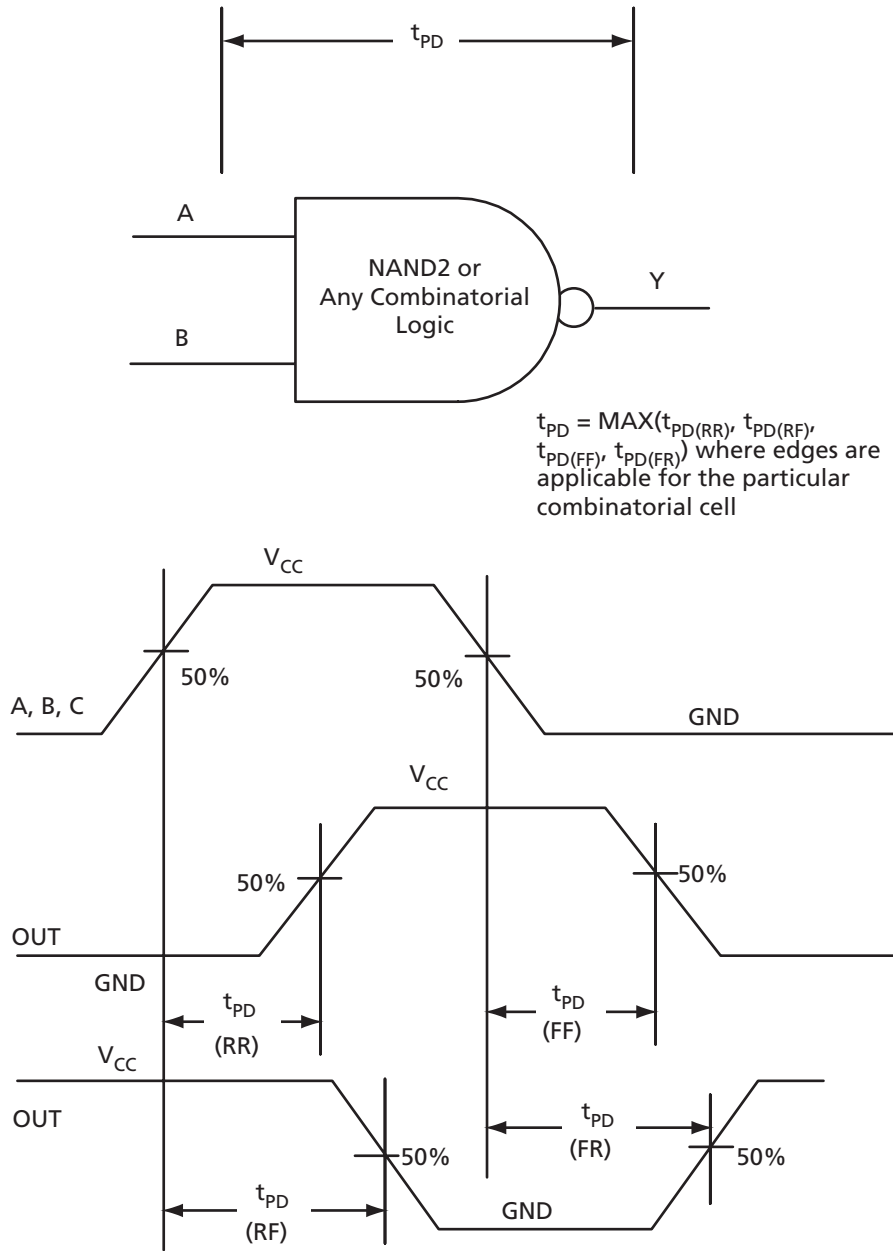


Figure 2-37 • Timing Model and Waveforms

Timing Characteristics

Table 2-171 • Combinatorial Cell Propagation Delays
 Military-Case Conditions: $T_J = 125^\circ\text{C}$, Worst-Case $V_{CC} = 1.14\text{ V}$ for A3PE600L and A3PE3000L

Combinatorial Cell	Equation	Parameter	-1	Std.	Units
INV	$Y = !A$	t_{PD}	0.56	0.65	ns
AND2	$Y = A \cdot B$	t_{PD}	0.65	0.77	ns
NAND2	$Y = !(A \cdot B)$	t_{PD}	0.65	0.77	ns
OR2	$Y = A + B$	t_{PD}	0.67	0.79	ns
NOR2	$Y = !(A + B)$	t_{PD}	0.67	0.79	ns
XOR2	$Y = A \oplus B$	t_{PD}	1.02	1.20	ns
MAJ3	$Y = \text{MAJ}(A, B, C)$	t_{PD}	0.97	1.14	ns
XOR3	$Y = A \oplus B \oplus C$	t_{PD}	1.21	1.42	ns
MUX2	$Y = A \text{ IS } + B \text{ S}$	t_{PD}	0.70	0.82	ns
AND3	$Y = A \cdot B \cdot C$	t_{PD}	0.78	0.91	ns

Note: For specific junction temperature and voltage supply levels, refer to [Table 2-5 on page 2-8](#) for derating values.

Table 2-172 • Combinatorial Cell Propagation Delays
 Military-Case Conditions: $T_J = 125^\circ\text{C}$, $V_{CC} = 1.425\text{ V}$ for any A3PE600L/A3PE3000L

Combinatorial Cell	Equation	Parameter	-1	Std.	Units
INV	$Y = !A$	t_{PD}	0.43	0.50	ns
AND2	$Y = A \cdot B$	t_{PD}	0.50	0.59	ns
NAND2	$Y = !(A \cdot B)$	t_{PD}	0.50	0.59	ns
OR2	$Y = A + B$	t_{PD}	0.51	0.61	ns
NOR2	$Y = !(A + B)$	t_{PD}	0.51	0.61	ns
XOR2	$Y = A \oplus B$	t_{PD}	0.78	0.92	ns
MAJ3	$Y = \text{MAJ}(A, B, C)$	t_{PD}	0.74	0.87	ns
XOR3	$Y = A \oplus B \oplus C$	t_{PD}	0.93	1.09	ns
MUX2	$Y = A \text{ IS } + B \text{ S}$	t_{PD}	0.54	0.63	ns
AND3	$Y = A \cdot B \cdot C$	t_{PD}	0.59	0.70	ns

Note: For specific junction temperature and voltage supply levels, refer to [Table 2-5 on page 2-8](#) for derating values.

Table 2-173 • Combinatorial Cell Propagation Delays
Military-Case Conditions: $T_J = 125^\circ\text{C}$, Worst-Case $V_{CC} = 1.425\text{ V}$ for A3P1000

Combinatorial Cell	Equation	Parameter	-1	Std.	Units
INV	$Y = !A$	t_{PD}	0.48	0.57	ns
AND2	$Y = A \cdot B$	t_{PD}	0.57	0.67	ns
NAND2	$Y = !(A \cdot B)$	t_{PD}	0.57	0.67	ns
OR2	$Y = A + B$	t_{PD}	0.59	0.69	ns
NOR2	$Y = !(A + B)$	t_{PD}	0.59	0.69	ns
XOR2	$Y = A \oplus B$	t_{PD}	0.89	1.04	ns
MAJ3	$Y = \text{MAJ}(A, B, C)$	t_{PD}	0.84	0.99	ns
XOR3	$Y = A \oplus B \oplus C$	t_{PD}	1.05	1.24	ns
MUX2	$Y = A \text{ !S} + B \text{ S}$	t_{PD}	0.61	0.72	ns
AND3	$Y = A \cdot B \cdot C$	t_{PD}	0.68	0.79	ns

Note: For specific junction temperature and voltage supply levels, refer to [Table 2-6 on page 2-8](#) for derating values.

VersaTile Specifications as a Sequential Module

The military ProASIC3 library offers a wide variety of sequential cells, including flip-flops and latches. Each has a data input and optional enable, clear, or preset. In this section, timing characteristics are presented for a representative sample from the library. For more details, refer to the *IGLOO, Fusion, and ProASIC3 Macro Library Guide*.

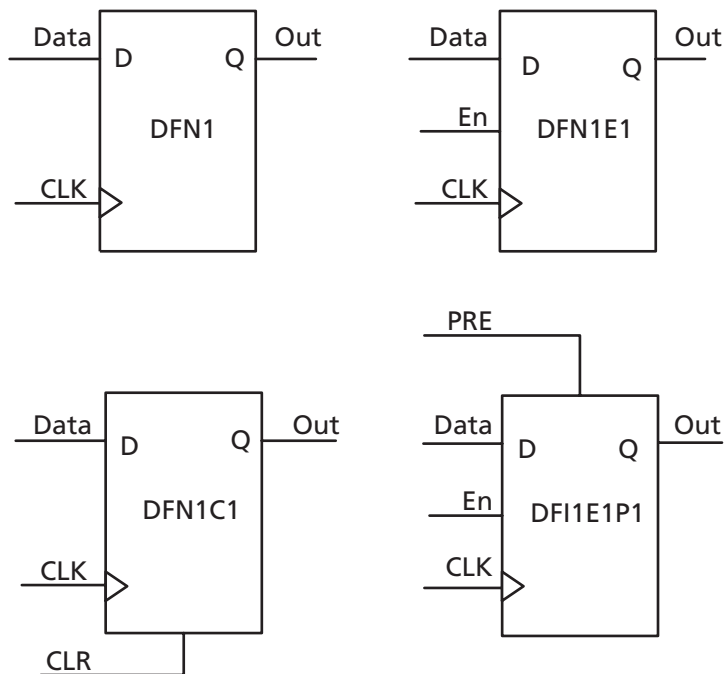


Figure 2-38 • Sample of Sequential Cells

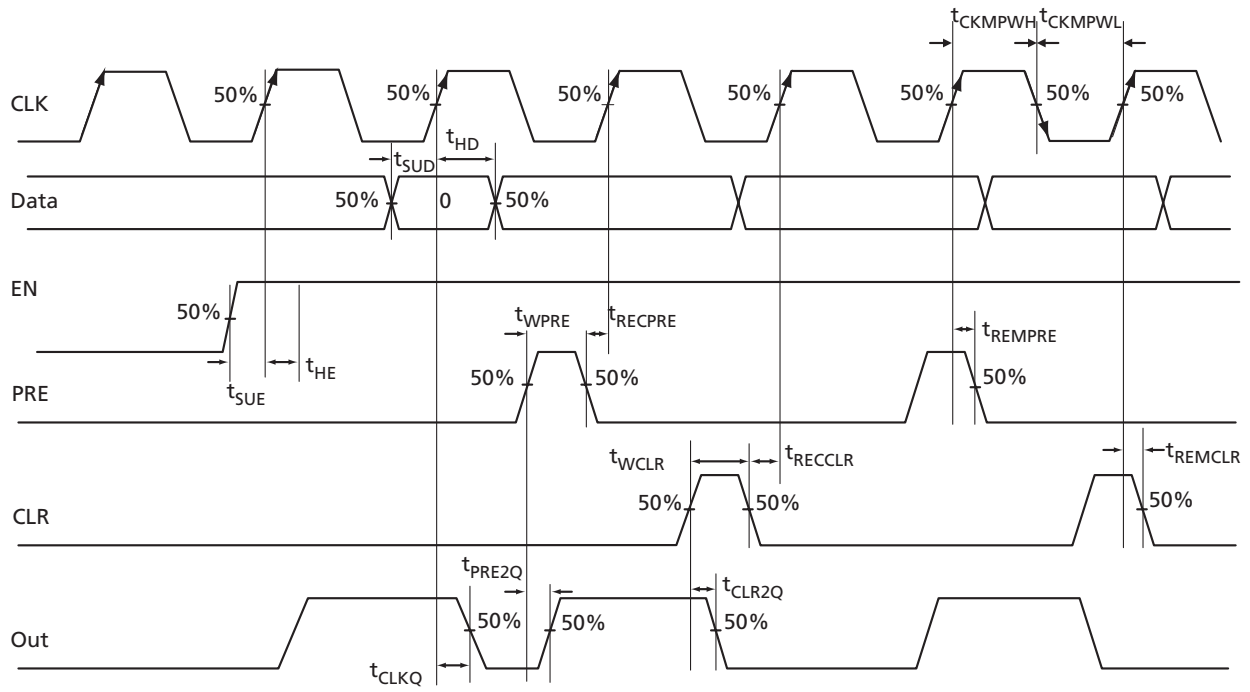


Figure 2-39 • Timing Model and Waveforms

Timing Characteristics

Table 2-174 • Register Delays

Military-Case Conditions: $T_J = 125^\circ\text{C}$, Worst-Case $V_{CC} = 1.14\text{ V}$ for A3PE600L and A3PE3000L

Parameter	Description	-1	Std.	Units
t_{CLKQ}	Clock-to-Q of the Core Register	0.76	0.90	ns
t_{SUD}	Data Setup Time for the Core Register	0.59	0.70	ns
t_{HD}	Data Hold Time for the Core Register	0.00	0.00	ns
t_{SUE}	Enable Setup Time for the Core Register	0.63	0.74	ns
t_{HE}	Enable Hold Time for the Core Register	0.00	0.00	ns
t_{CLR2Q}	Asynchronous Clear-to-Q of the Core Register	0.55	0.65	ns
t_{PRE2Q}	Asynchronous Preset-to-Q of the Core Register	0.55	0.65	ns
t_{REMCLR}	Asynchronous Clear Removal Time for the Core Register	0.00	0.00	ns
t_{RECLR}	Asynchronous Clear Recovery Time for the Core Register	0.31	0.36	ns
t_{REMPRE}	Asynchronous Preset Removal Time for the Core Register	0.00	0.00	ns
t_{RECPRE}	Asynchronous Preset Recovery Time for the Core Register	0.31	0.36	ns
t_{WCLR}	Asynchronous Clear Minimum Pulse Width for the Core Register	0.30	0.34	ns
t_{WPRE}	Asynchronous Preset Minimum Pulse Width for the Core Register	0.30	0.34	ns
t_{CKMPWH}	Clock Minimum Pulse Width HIGH for the Core Register	0.56	0.64	ns
t_{CKMPWL}	Clock Minimum Pulse Width LOW for the Core Register	0.56	0.64	ns

Note: For specific junction temperature and voltage supply levels, refer to Table 2-5 on page 2-8 for derating values.

Table 2-175 • Register Delays
Military-Case Conditions: $T_J = 125^\circ\text{C}$, $V_{CC} = 1.425\text{ V}$ for A3PE600L and A3PE3000L

Parameter	Description	-1	Std.	Units
t_{CLKQ}	Clock-to-Q of the Core Register	0.58	0.69	ns
t_{SUD}	Data Setup Time for the Core Register	0.45	0.53	ns
t_{HD}	Data Hold Time for the Core Register	0.00	0.00	ns
t_{SUE}	Enable Setup Time for the Core Register	0.48	0.57	ns
t_{HE}	Enable Hold Time for the Core Register	0.00	0.00	ns
t_{CLR2Q}	Asynchronous Clear-to-Q of the Core Register	0.42	0.50	ns
t_{PRE2Q}	Asynchronous Preset-to-Q of the Core Register	0.42	0.50	ns
t_{REMCLR}	Asynchronous Clear Removal Time for the Core Register	0.00	0.00	ns
t_{RECLR}	Asynchronous Clear Recovery Time for the Core Register	0.24	0.28	ns
t_{REMPRE}	Asynchronous Preset Removal Time for the Core Register	0.00	0.00	ns
t_{RECPRE}	Asynchronous Preset Recovery Time for the Core Register	0.24	0.28	ns
t_{WCLR}	Asynchronous Clear Minimum Pulse Width for the Core Register	0.30	0.34	ns
t_{WPRE}	Asynchronous Preset Minimum Pulse Width for the Core Register	0.30	0.34	ns
t_{CKMPWH}	Clock Minimum Pulse Width HIGH for the Core Register	0.56	0.64	ns
t_{CKMPWL}	Clock Minimum Pulse Width LOW for the Core Register	0.56	0.64	ns

Note: For specific junction temperature and voltage supply levels, refer to [Table 2-5 on page 2-8](#) for derating values.

Table 2-176 • Register Delays**Military-Case Conditions: $T_J = 125^\circ\text{C}$, Worst-Case $V_{CC} = 1.425\text{ V}$ for A3P1000**

Parameter	Description	-1	Std.	Units
t_{CLKQ}	Clock-to-Q of the Core Register	0.66	0.78	ns
t_{SUD}	Data Setup Time for the Core Register	0.52	0.61	ns
t_{HD}	Data Hold Time for the Core Register	0.00	0.00	ns
t_{SUE}	Enable Setup Time for the Core Register	0.55	0.64	ns
t_{HE}	Enable Hold Time for the Core Register	0.00	0.00	ns
t_{CLR2Q}	Asynchronous Clear-to-Q of the Core Register	0.48	0.56	ns
t_{PRE2Q}	Asynchronous Preset-to-Q of the Core Register	0.48	0.56	ns
t_{REMCLR}	Asynchronous Clear Removal Time for the Core Register	0.00	0.00	ns
t_{RECLR}	Asynchronous Clear Recovery Time for the Core Register	0.27	0.31	ns
t_{REMPRE}	Asynchronous Preset Removal Time for the Core Register	0.00	0.00	ns
t_{RECPRE}	Asynchronous Preset Recovery Time for the Core Register	0.27	0.31	ns
t_{WCLR}	Asynchronous Clear Minimum Pulse Width for the Core Register	0.25	0.30	ns
t_{WPRE}	Asynchronous Preset Minimum Pulse Width for the Core Register	0.25	0.30	ns
t_{CKMPWH}	Clock Minimum Pulse Width HIGH for the Core Register	0.41	0.48	ns
t_{CKMPWL}	Clock Minimum Pulse Width LOW for the Core Register	0.37	0.43	ns

Note: For specific junction temperature and voltage supply levels, refer to [Table 2-6 on page 2-8](#) for derating values.

Global Resource Characteristics

A3P1000 Clock Tree Topology

Clock delays are device-specific. Figure 2-40 is an example of a global tree used for clock routing. The global tree presented in Figure 2-40 is driven by a CCC located on the west side of the A3P1000 device. It is used to drive all D-flip-flops in the device.

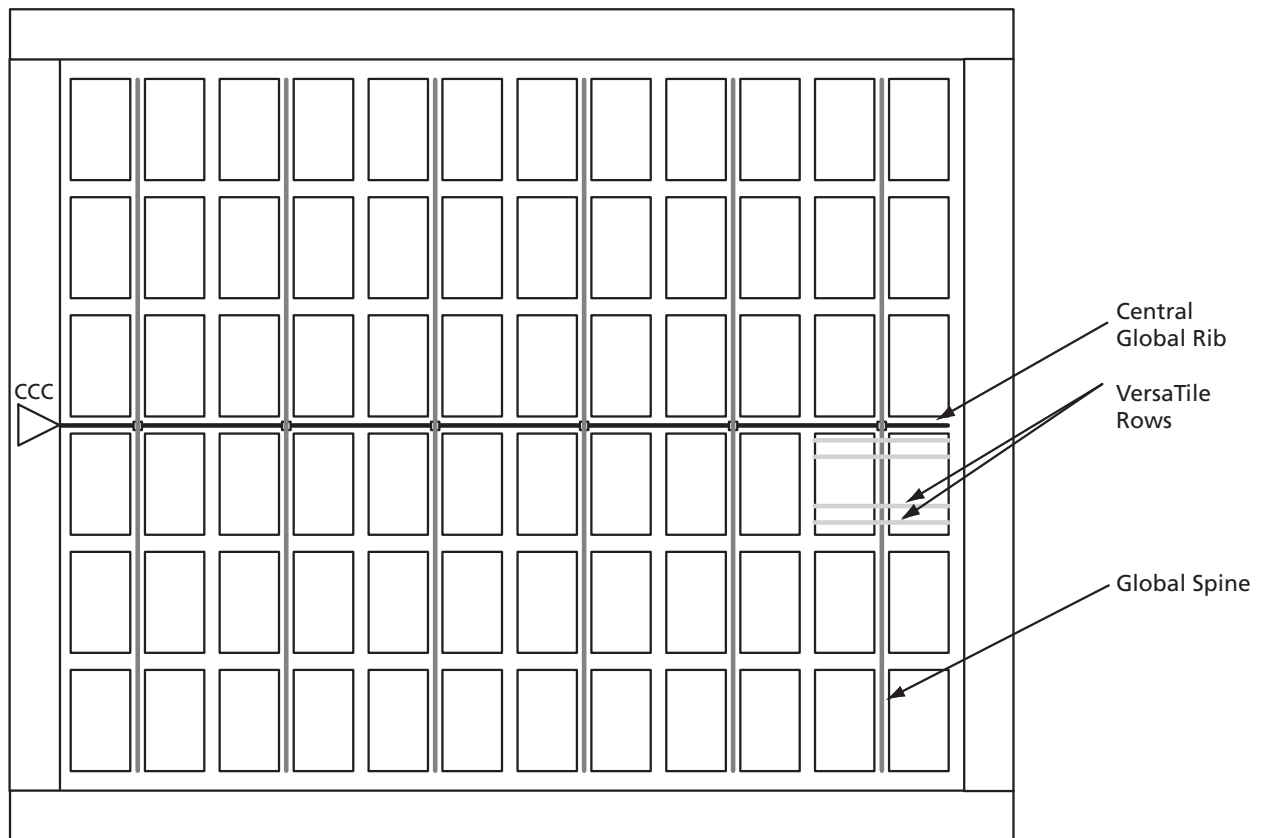


Figure 2-40 • Example of Global Tree Use in an A3P1000 Device for Clock Routing

Global Tree Timing Characteristics

Global clock delays include the central rib delay, the spine delay, and the row delay. Delays do not include I/O input buffer clock delays, as these are I/O standard-dependent, and the clock may be driven and conditioned internally by the CCC module. For more details on clock conditioning capabilities, refer to the "Clock Conditioning Circuits" section on page 2-116. Table 2-177 to Table 2-181 on page 2-115 present minimum and maximum global clock delays within each device. Minimum and maximum delays are measured with minimum and maximum loading.

Timing Characteristics

1.2 V DC Core Voltage

Table 2-177 • A3PE600L Global Resource
Military-Case Conditions: $T_J = 125^\circ\text{C}$, $V_{CC} = 1.14\text{ V}$

Parameter	Description	-1		Std.		Units
		Min. ¹	Max. ²	Min. ¹	Max. ²	
t_{RCKL}	Input LOW Delay for Global Clock					ns
t_{RCKH}	Input HIGH Delay for Global Clock					ns
$t_{RCKMPWH}$	Minimum Pulse Width HIGH for Global Clock					ns
$t_{RCKMPWL}$	Minimum Pulse Width LOW for Global Clock					ns
t_{RCKSW}	Maximum Skew for Global Clock					ns
F_{RMAX}	Maximum Frequency for Global Clock					MHz

Notes:

1. Value reflects minimum load. The delay is measured from the CCC output to the clock pin of a sequential element, located in a lightly loaded row (single element is connected to the global net).
2. Value reflects maximum load. The delay is measured on the clock pin of the farthest sequential element, located in a fully loaded row (all available flip-flops are connected to the global net in the row).
3. For specific junction temperature and voltage supply levels, refer to Table 2-5 on page 2-8 for derating values.

Table 2-178 • A3PE3000L Global Resource
Military-Case Conditions: $T_J = 125^\circ\text{C}$, $V_{CC} = 1.14\text{ V}$

Parameter	Description	-1		Std.		Units
		Min. ¹	Max. ²	Min. ¹	Max. ²	
t_{RCKL}	Input LOW Delay for Global Clock	1.80	2.06	2.12	2.42	ns
t_{RCKH}	Input HIGH Delay for Global Clock	1.79	2.09	2.11	2.45	ns
$t_{RCKMPWH}$	Minimum Pulse Width HIGH for Global Clock					ns
$t_{RCKMPWL}$	Minimum Pulse Width LOW for Global Clock					ns
t_{RCKSW}	Maximum Skew for Global Clock		0.30		0.35	ns
F_{RMAX}	Maximum Frequency for Global Clock					MHz

Notes:

1. Value reflects minimum load. The delay is measured from the CCC output to the clock pin of a sequential element, located in a lightly loaded row (single element is connected to the global net).
2. Value reflects maximum load. The delay is measured on the clock pin of the farthest sequential element, located in a fully loaded row (all available flip-flops are connected to the global net in the row).
3. For specific junction temperature and voltage supply levels, refer to Table 2-5 on page 2-8 for derating values.

1.5 V DC Core Voltage

Table 2-179 • A3PE600L Global Resource
Military-Case Conditions: $T_J = 125^\circ\text{C}$, $V_{CC} = 1.425\text{ V}$

Parameter	Description	-1		Std.		Units
		Min. ¹	Max. ²	Min. ¹	Max. ²	
t _{RCKL}	Input LOW Delay for Global Clock					ns
t _{RCKH}	Input HIGH Delay for Global Clock					ns
t _{RCKMPWH}	Minimum Pulse Width HIGH for Global Clock					ns
t _{RCKMPWL}	Minimum Pulse Width LOW for Global Clock					ns
t _{RCKSW}	Maximum Skew for Global Clock					ns
F _{RMAX}	Maximum Frequency for Global Clock					MHz

Notes:

1. Value reflects minimum load. The delay is measured from the CCC output to the clock pin of a sequential element, located in a lightly loaded row (single element is connected to the global net).
2. Value reflects maximum load. The delay is measured on the clock pin of the farthest sequential element, located in a fully loaded row (all available flip-flops are connected to the global net in the row).
3. For specific junction temperature and voltage supply levels, refer to [Table 2-5 on page 2-8](#) for derating values.

Table 2-180 • A3P1000 Global Resource
Military-Case Conditions: $T_J = 125^\circ\text{C}$, $V_{CC} = 1.425\text{ V}$

Parameter	Description	-1		Std.		Units
		Min. ¹	Max. ²	Min. ¹	Max. ²	
t _{RCKL}	Input LOW Delay for Global Clock	1.18	1.44	1.39	1.70	ns
t _{RCKH}	Input HIGH Delay for Global Clock	1.17	1.48	1.37	1.74	ns
t _{RCKMPWH}	Minimum Pulse Width HIGH for Global Clock					ns
t _{RCKMPWL}	Minimum Pulse Width LOW for Global Clock					ns
t _{RCKSW}	Maximum Skew for Global Clock		0.32		0.37	ns
F _{RMAX}	Maximum Frequency for Global Clock					MHz

Notes:

1. Value reflects minimum load. The delay is measured from the CCC output to the clock pin of a sequential element, located in a lightly loaded row (single element is connected to the global net).
2. Value reflects maximum load. The delay is measured on the clock pin of the farthest sequential element, located in a fully loaded row (all available flip-flops are connected to the global net in the row).
3. For specific junction temperature and voltage supply levels, refer to [Table 2-6 on page 2-8](#) for derating values.



Table 2-181 • A3PE3000L Global Resource
Military-Case Conditions: $T_J = 125^\circ\text{C}$, $V_{CC} = 1.425\text{ V}$

Parameter	Description	-1		Std.		Units
		Min. ¹	Max. ²	Min. ¹	Max. ²	
t_{RCKL}	Input LOW Delay for Global Clock	1.61	1.85	1.89	2.17	ns
t_{RCKH}	Input HIGH Delay for Global Clock	1.60	1.87	1.88	2.20	ns
$t_{RCKMPWH}$	Minimum Pulse Width HIGH for Global Clock					ns
$t_{RCKMPWL}$	Minimum Pulse Width LOW for Global Clock					ns
t_{RCKSW}	Maximum Skew for Global Clock		0.27		0.32	ns
F_{RMAX}	Maximum Frequency for Global Clock					MHz

Notes:

1. Value reflects minimum load. The delay is measured from the CCC output to the clock pin of a sequential element, located in a lightly loaded row (single element is connected to the global net).
2. Value reflects maximum load. The delay is measured on the clock pin of the farthest sequential element, located in a fully loaded row (all available flip-flops are connected to the global net in the row).
3. For specific junction temperature and voltage supply levels, refer to [Table 2-5 on page 2-8](#) for derating values.

Clock Conditioning Circuits

CCC Electrical Specifications

Timing Characteristics

Table 2-182 • Military ProASIC3/EL CCC/PLL Specification
For Devices Operating at 1.2 V DC Core Voltage: Applicable to A3PE600L and A3PE3000L Only

Parameter	Min.	Typ.	Max.	Units
Clock Conditioning Circuitry Input Frequency f_{IN_CCC}	1.5		250	MHz
Clock Conditioning Circuitry Output Frequency f_{OUT_CCC}	0.75		250	MHz
Delay Increments in Programmable Delay Blocks ^{1, 2}		270		ps
Number of Programmable Values in Each Programmable Delay Block			32	
Serial Clock (SCLK) for Dynamic PLL ³			100	MHz
Input Cycle-to-Cycle Jitter (peak magnitude)			1	ns
CCC Output Peak-to-Peak Period Jitter F_{CCC_OUT}	Max Peak-to-Peak Period Jitter			
	1 Global Network Used	External FB Used	3 Global Networks Used	
0.75 MHz to 24 MHz	0.50%	0.75%	0.70%	
24 MHz to 100 MHz	1.00%	1.50%	1.20%	
100 MHz to 250 MHz	2.50%	3.75%	2.75%	
Acquisition Time				
	LockControl = 0		300	μs
LockControl = 1			6.0	ms
Tracking Jitter				
	LockControl = 0		2	ns
LockControl = 1			1	ns
Output Duty Cycle	48.5		51.5	%
Delay Range in Block: Programmable Delay 1 ^{1, 2}	1.2		15.65	ns
Delay Range in Block: Programmable Delay 2 ^{1, 2}	0.025		15.65	ns
Delay Range in Block: Fixed Delay ^{1, 2}		3.1		ns

Notes:

1. This delay is a function of voltage and temperature. See [Table 2-5 on page 2-8](#) for deratings.
2. $T_j = 25^\circ\text{C}$, $V_{CC} = 1.2\text{ V}$
3. Maximum value obtained for a Std. speed grade device in worst-case military conditions. For specific junction temperature and voltage supply levels, refer to [Table 2-5 on page 2-8](#) for derating values.
4. Tracking jitter is defined as the variation in clock edge position of PLL outputs with reference to PLL input clock edge. Tracking jitter does not measure the variation in PLL output period, which is covered by period jitter parameter.

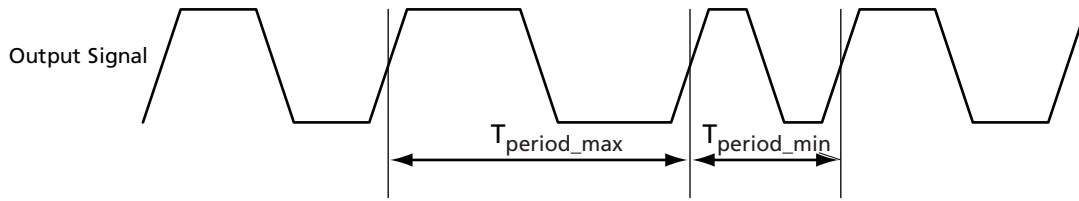


**Table 2-183 • Military ProASIC3/EL CCC/PLL Specification
For Devices Operating at 1.5 V DC Core Voltage**

Parameter	Min.	Typ.	Max.	Units
Clock Conditioning Circuitry Input Frequency f_{IN_CCC}	1.5		350	MHz
Clock Conditioning Circuitry Output Frequency f_{OUT_CCC}	0.75		350	MHz
Serial Clock (SCLK) for Dynamic PLL ⁵			110	MHz
Delay Increments in Programmable Delay Blocks ^{1, 2}		200		ps
Number of Programmable Values in Each Programmable Delay Block			32	
Input Period Jitter			1.5	ns
CCC Output Peak-to-Peak Period Jitter F_{CCC_OUT}	Max Peak-to-Peak Period Jitter			
	1 Global Network Used		3 Global Networks Used	
0.75 MHz to 24 MHz	0.50%		0.70%	
24 MHz to 100 MHz	1.00%		1.20%	
100 MHz to 250 MHz	1.75%		2.00%	
250 MHz to 350 MHz	2.50%		5.60%	
Acquisition Time				
	LockControl = 0		300	μ s
	LockControl = 1		6.0	ms
Tracking Jitter				
	LockControl = 0		1.6	ns
	LockControl = 1		0.8	ns
Output Duty Cycle	48.5		51.5	%
Delay Range in Block: Programmable Delay 1 ^{1, 2}	0.6		5.56	ns
Delay Range in Block: Programmable Delay 2 ^{1, 2}	0.025		5.56	ns
Delay Range in Block: Fixed Delay ^{1, 2}		2.2		ns

Notes:

1. This delay is a function of voltage and temperature. See [Table 2-5 on page 2-8](#) for deratings.
2. $T_J = 25^\circ\text{C}$, $V_{CC} = 1.5\text{ V}$
3. Maximum value obtained for a Std. speed grade device in worst-case military conditions. For specific junction temperature and voltage supply levels, refer to [Table 2-5 on page 2-8](#) for derating values.
4. Tracking jitter is defined as the variation in clock edge position of PLL outputs with reference to PLL input clock edge. Tracking jitter does not measure the variation in PLL output period, which is covered by period jitter parameter.
5. Maximum value obtained for a -1 speed grade device in worst-case military conditions. For specific junction temperature and voltage supply levels, refer to [Table 2-5 on page 2-8](#) for derating values.



Note: Peak-to-peak jitter measurements are defined by $T_{\text{peak-to-peak}} = T_{\text{period_max}} - T_{\text{period_min}}$.

Figure 2-41 • Peak-to-Peak Jitter Definition

Embedded SRAM and FIFO Characteristics

SRAM

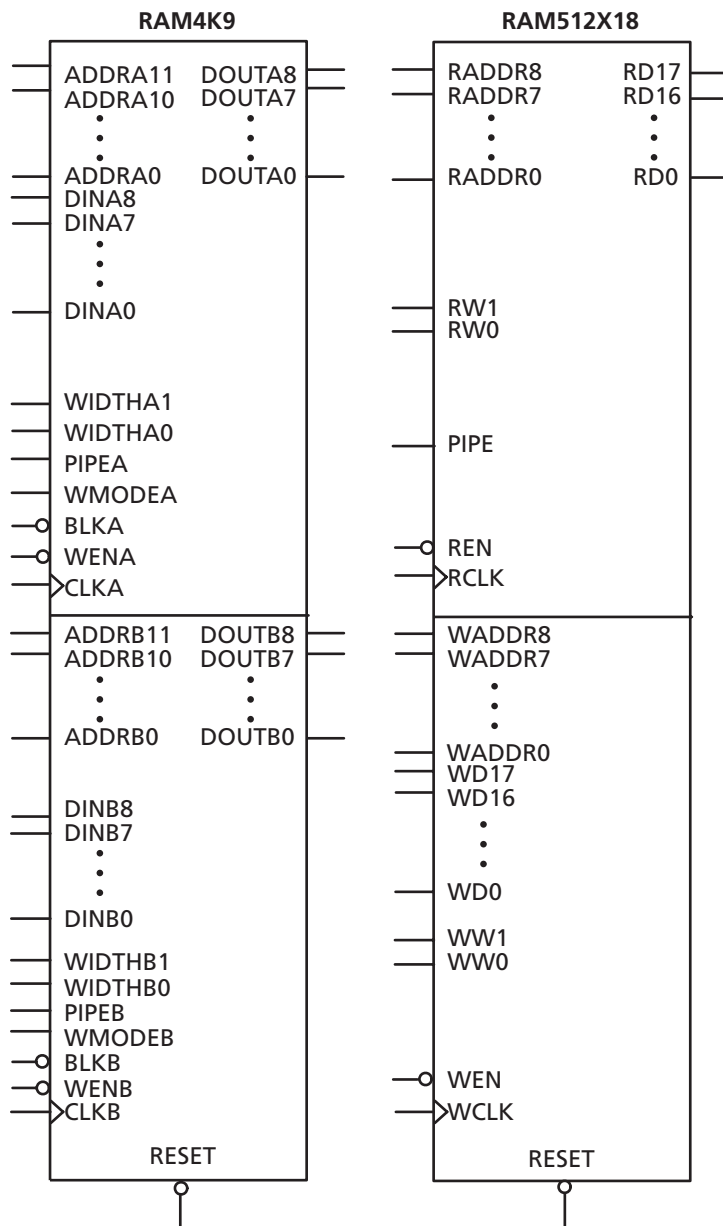


Figure 2-42 • RAM Models

Timing Waveforms

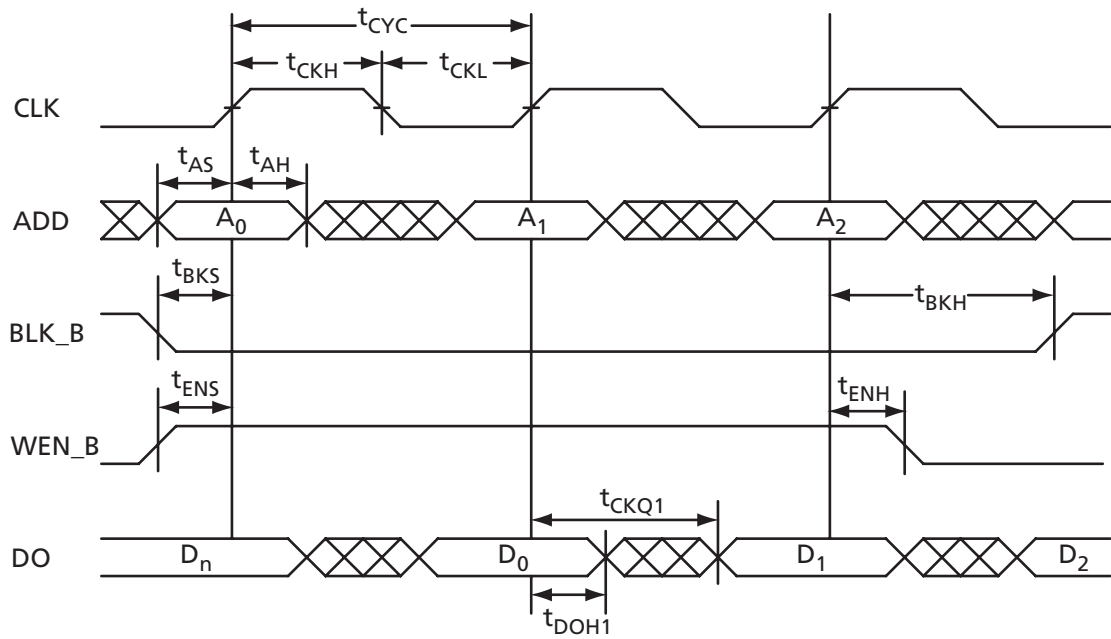


Figure 2-43 • RAM Read for Pass-Through Output

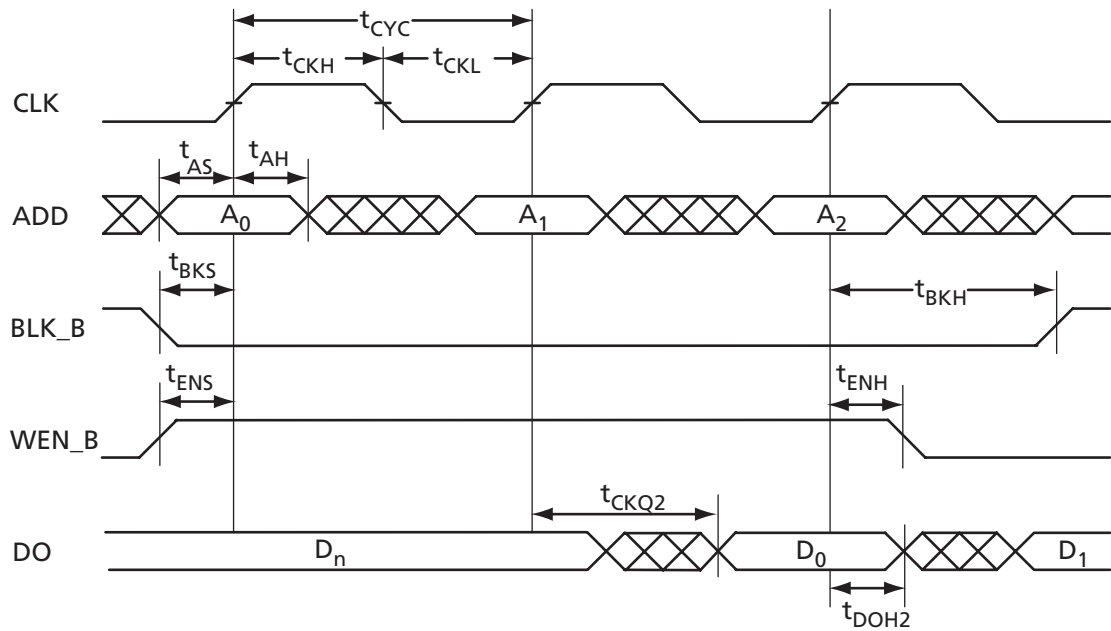
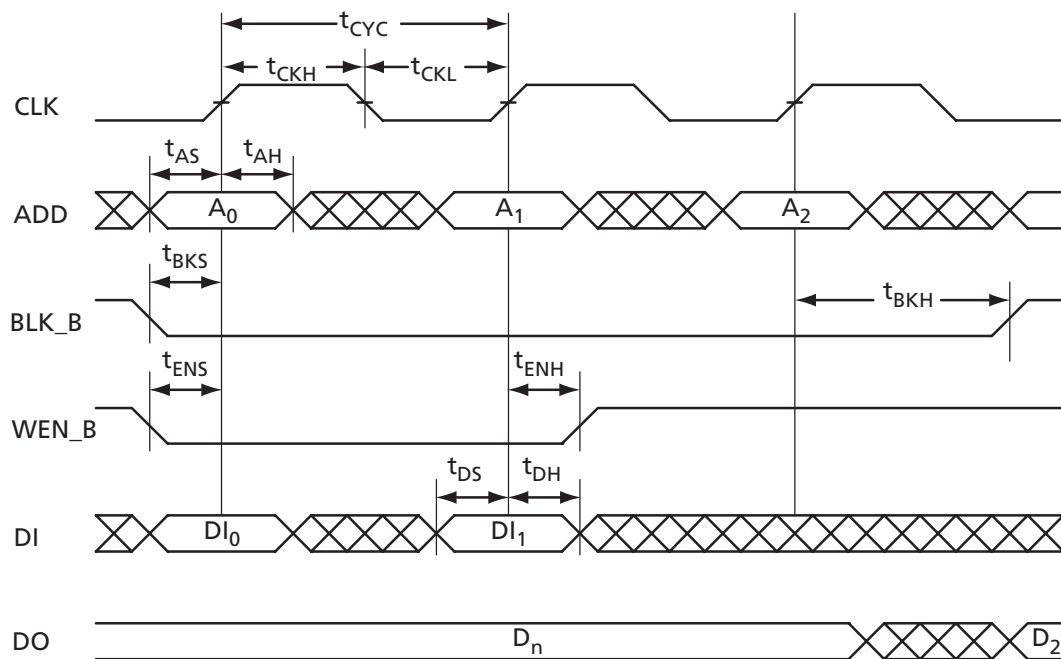
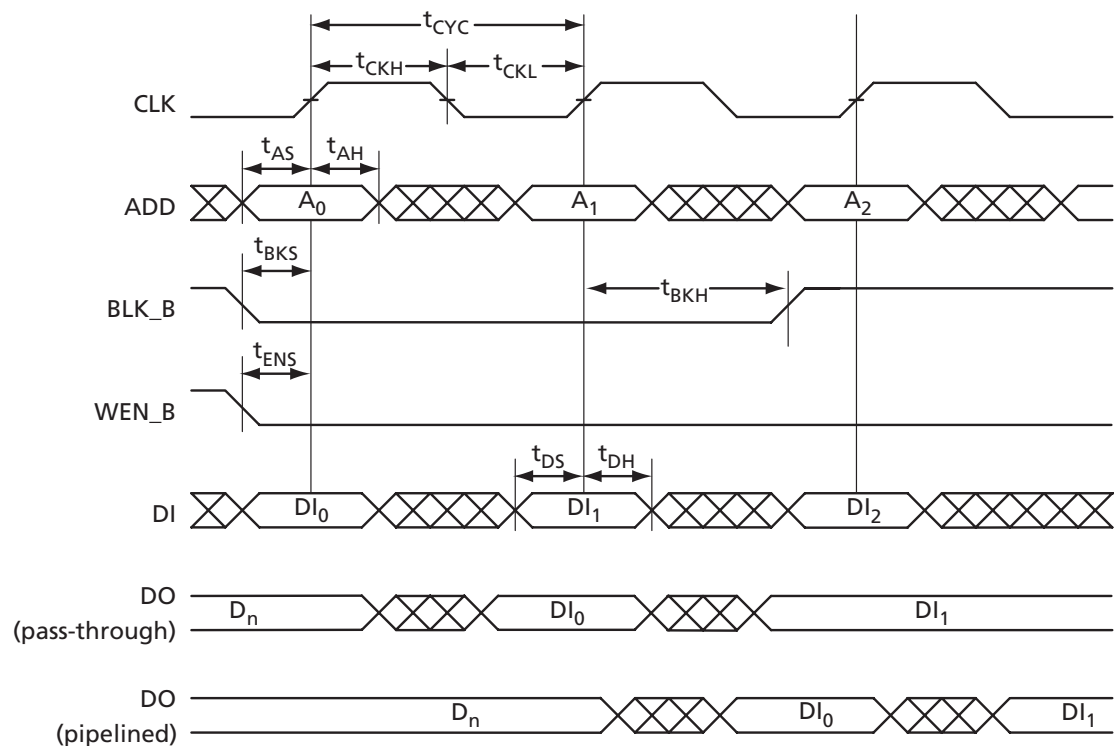


Figure 2-44 • RAM Read for Pipelined Output


Figure 2-45 • RAM Write, Output Retained (WMODE = 0)

Figure 2-46 • RAM Write, Output as Write Data (WMODE = 1)

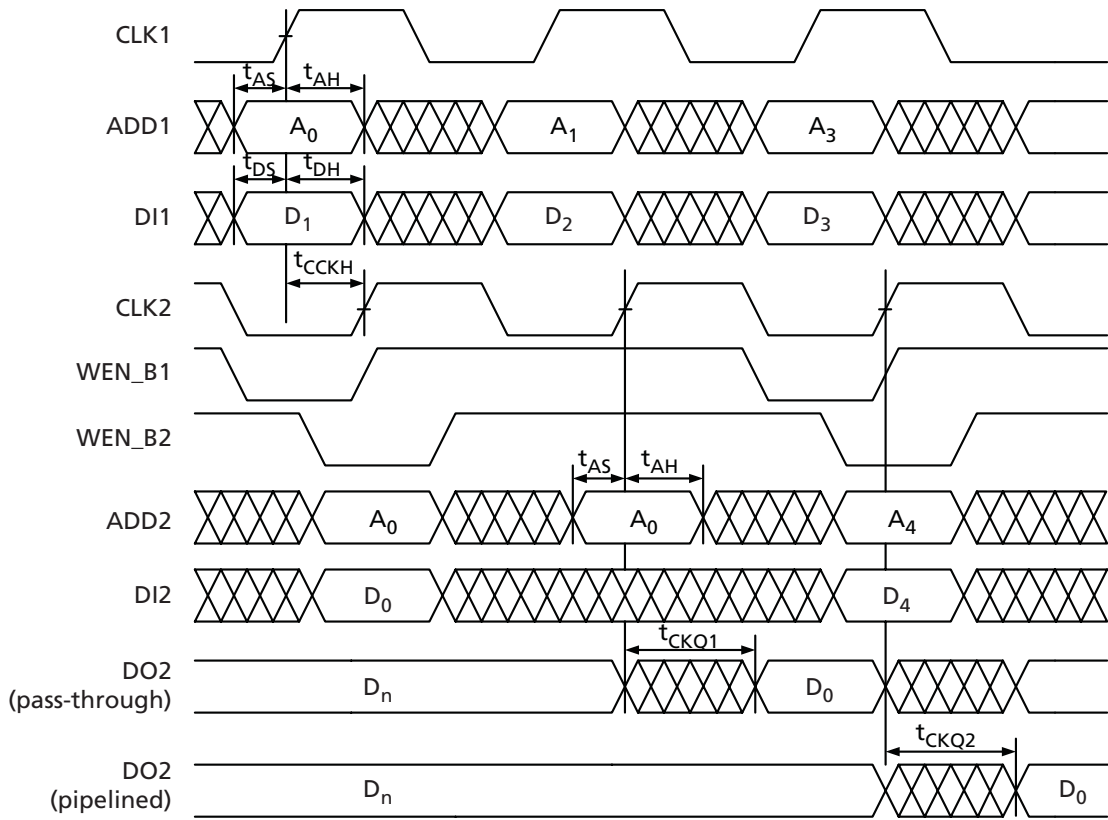


Figure 2-47 • Write Access after Write onto Same Address

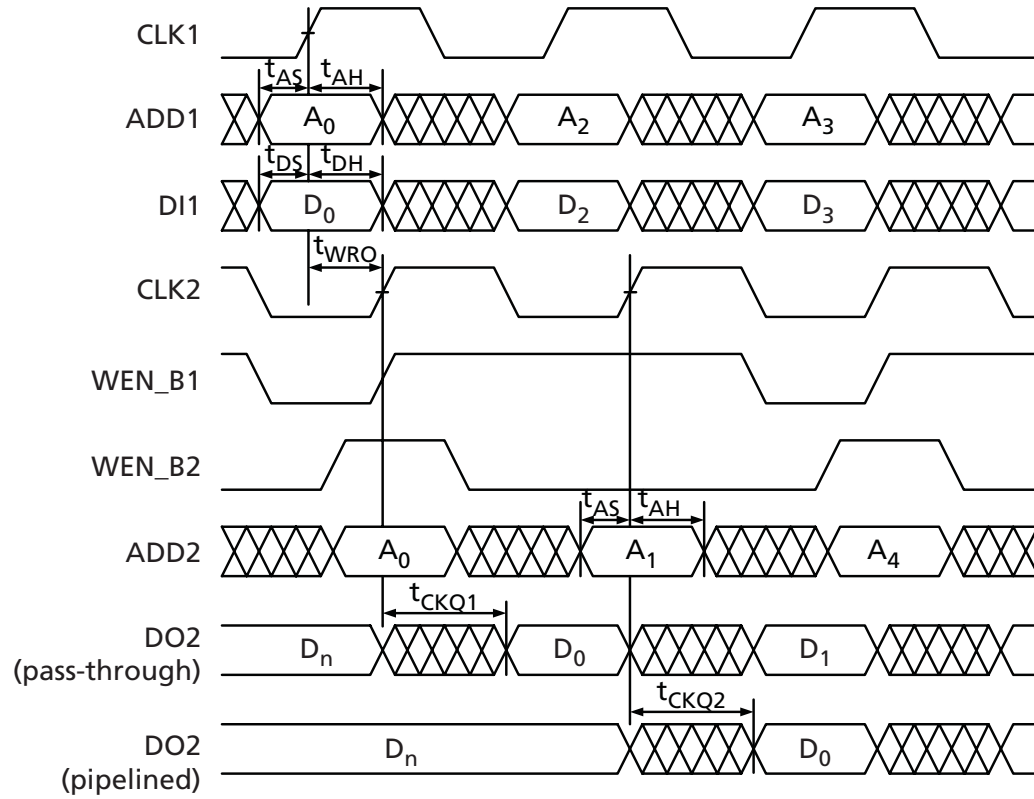


Figure 2-48 • Read Access after Write onto Same Address

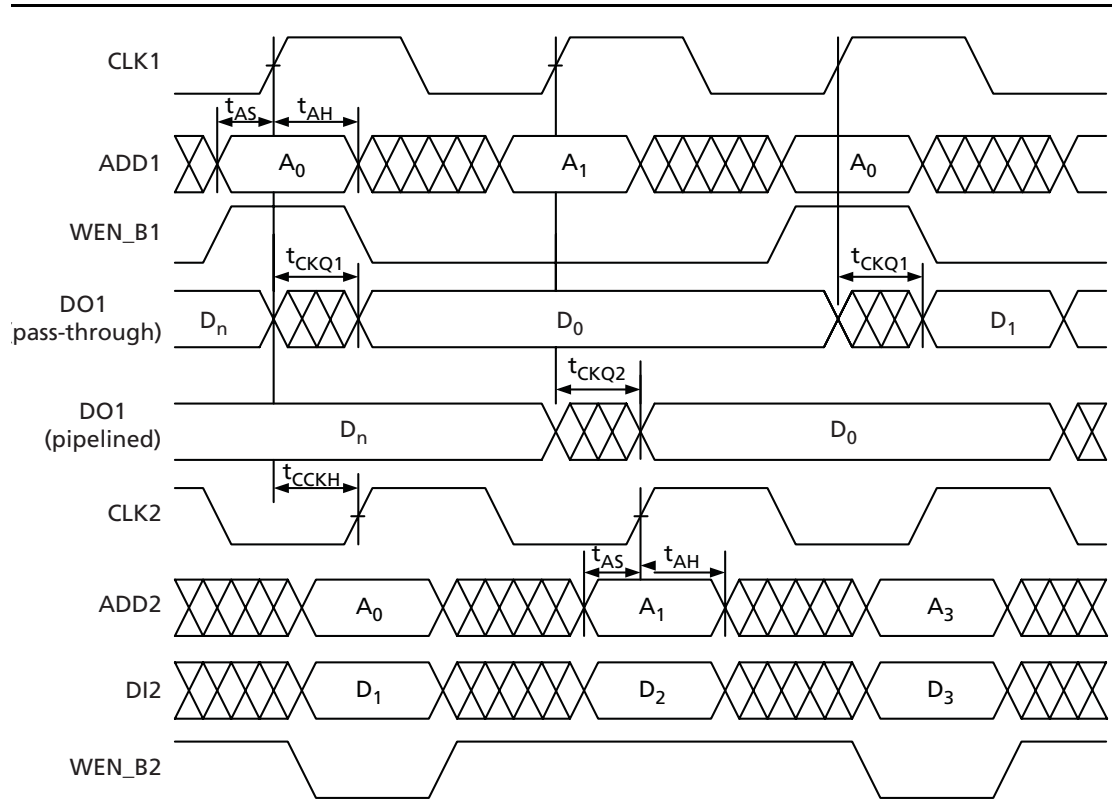


Figure 2-49 • Write Access after Read onto Same Address

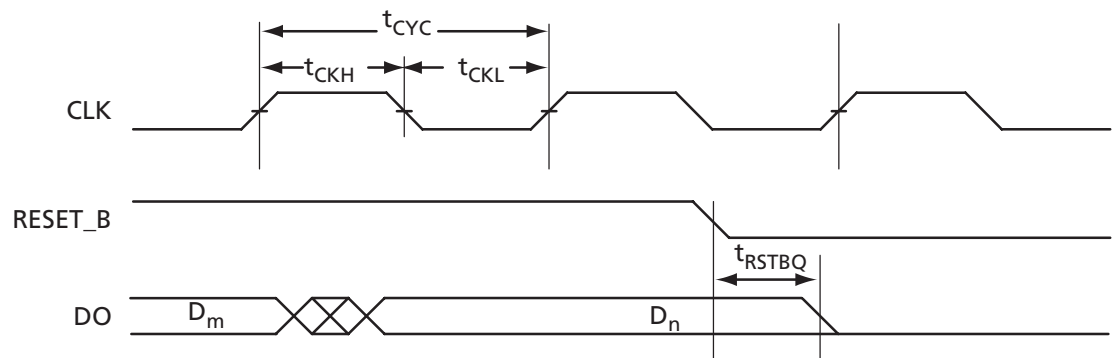


Figure 2-50 • RAM Reset

Timing Characteristics

Table 2-184 • RAM4K9

Military-Case Conditions: $T_J = 125^\circ\text{C}$, Worst-Case $V_{CC} = 1.14\text{ V}$ for A3PE600L and A3PE3000L

Parameter	Description	-1	Std.	Units
t_{AS}	Address setup time	0.35	0.41	ns
t_{AH}	Address hold time	0.00	0.00	ns
t_{ENS}	REN_B, WEN_B setup time	0.20	0.23	ns
t_{ENH}	REN_B, WEN_B hold time	0.13	0.16	ns
t_{BKS}	BLK_B setup time	0.32	0.38	ns
t_{BKH}	BLK_B hold time	0.03	0.03	ns
t_{DS}	Input data (DI) setup time	0.25	0.30	ns
t_{DH}	Input data (DI) hold time	0.00	0.00	ns
t_{CKQ1}	Clock HIGH to new data valid on DO (output retained, WMODE = 0)	2.47	2.91	ns
	Clock HIGH to new data valid on DO (flow-through, WMODE = 1)	3.26	3.84	ns
t_{CKQ2}	Clock HIGH to new data valid on DO (pipelined)	1.24	1.46	ns
t_{WRO}	Address collision clk-to-clk delay for reliable read access after write on same address	TBD	TBD	ns
t_{CCKH}	Address collision clk-to-clk delay for reliable write access after write/read on same address	TBD	TBD	ns
t_{RSTBQ}	RESET_B LOW to data out LOW on DO (flow-through)	1.28	1.50	ns
	RESET_B LOW to data out LOW on DO (pipelined)	1.28	1.50	ns
$t_{REMRSTB}$	RESET_B removal	0.40	0.47	ns
$t_{RECRSTB}$	RESET_B recovery	2.08	2.44	ns
$t_{MPWRSTB}$	RESET_B minimum pulse width	0.66	0.76	ns
t_{CYC}	Clock cycle time	6.08	6.99	ns
F_{MAX}	Maximum frequency	164	143	MHz

Note: For specific junction temperature and voltage supply levels, refer to Table 2-5 on page 2-8 for derating values.

Table 2-185 • RAM4K9
Military-Case Conditions: $T_J = 125^\circ\text{C}$, $V_{CC} = 1.425\text{ V}$ for A3PE600L and A3PE3000L

Parameter	Description	-1	Std.	Units
t_{AS}	Address setup time	0.26	0.31	ns
t_{AH}	Address hold time	0.00	0.00	ns
t_{ENS}	REN_B, WEN_B setup time	0.15	0.18	ns
t_{ENH}	REN_B, WEN_B hold time	0.10	0.12	ns
t_{BKS}	BLK_B setup time	0.25	0.29	ns
t_{BKH}	BLK_B hold time	0.02	0.02	ns
t_{DS}	Input data (DI) setup time	0.19	0.23	ns
t_{DH}	Input data (DI) hold time	0.00	0.00	ns
t_{CKQ1}	Clock HIGH to new data valid on DO (output retained, WMODE = 0)	1.89	2.22	ns
	Clock HIGH to new data valid on DO (flow-through, WMODE = 1)	2.50	2.93	ns
t_{CKQ2}	Clock HIGH to new data valid on DO (pipelined)	0.95	1.11	ns
t_{WRO}	Address collision clk-to-clk delay for reliable read access after write on same address	TBD	TBD	ns
t_{CCKH}	Address collision clk-to-clk delay for reliable write access after write/read on same address	TBD	TBD	ns
t_{RSTBQ}	RESET_B LOW to data out LOW on DO (flow-through)	0.98	1.15	ns
	RESET_B LOW to data out LOW on DO (pipelined)	0.98	1.15	ns
$t_{REMRSTB}$	RESET_B removal	0.30	0.36	ns
$t_{RECRSTB}$	RESET_B recovery	1.59	1.87	ns
$t_{MPWRSTB}$	RESET_B minimum pulse width	0.59	0.67	ns
t_{CYC}	Clock cycle time	5.39	6.20	ns
f_{MAX}	Maximum frequency	185	161	MHz

Note: For specific junction temperature and voltage supply levels, refer to Table 2-5 on page 2-8 for derating values.



Table 2-186 • RAM4K9

Military-Case Conditions: $T_J = 125^\circ\text{C}$, Worst-Case $V_{CC} = 1.425\text{ V}$ for A3P1000

Parameter	Description	-1	Std.	Units
t_{AS}	Address setup time	0.30	0.35	ns
t_{AH}	Address hold time	0.00	0.00	ns
t_{ENS}	REN_B, WEN_B setup time	0.17	0.20	ns
t_{ENH}	REN_B, WEN_B hold time	0.12	0.14	ns
t_{BKS}	BLK_B setup time	0.28	0.33	ns
t_{BKH}	BLK_B hold time	0.02	0.03	ns
t_{DS}	Input data (DI) setup time	0.22	0.26	ns
t_{DH}	Input data (DI) hold time	0.00	0.00	ns
t_{CKQ1}	Clock HIGH to new data valid on DO (output retained, WMODE = 0)	2.15	2.53	ns
	Clock HIGH to new data valid on DO (flow-through, WMODE = 1)	2.84	3.33	ns
t_{CKQ2}	Clock HIGH to new data valid on DO (pipelined)	1.08	1.27	ns
t_{WRO}	Address collision clk-to-clk delay for reliable read access after write on same address	TBD	TBD	ns
t_{CCKH}	Address collision clk-to-clk delay for reliable write access after write/read on same address	TBD	TBD	ns
t_{RSTBQ}	RESET_B LOW to data out LOW on DO (flow-through)	1.11	1.31	ns
	RESET_B LOW to data out LOW on DO (pipelined)	1.11	1.31	ns
$t_{REMRSTB}$	RESET_B removal	0.34	0.40	ns
$t_{RECRSTB}$	RESET_B recovery	1.81	2.12	ns
$t_{MPWRSTB}$	RESET_B minimum pulse width	0.26	0.30	ns
t_{CYC}	Clock cycle time	3.89	4.57	ns
F_{MAX}	Maximum frequency	257	219	MHz

Note: For specific junction temperature and voltage supply levels, refer to Table 2-6 on page 2-8 for derating values.

Table 2-187 • RAM512X18
Military-Case Conditions: $T_J = 125^\circ\text{C}$, Worst-Case $V_{CC} = 1.14\text{ V}$ for A3PE600L and A3PE3000L

Parameter	Description	-1	Std.	Units
t_{AS}	Address setup time	0.35	0.41	ns
t_{AH}	Address hold time	0.00	0.00	ns
t_{ENS}	REN_B, WEN_B setup time	0.13	0.15	ns
t_{ENH}	REN_B, WEN_B hold time	0.08	0.09	ns
t_{DS}	Input data (DI) setup time	0.25	0.30	ns
t_{DH}	Input data (DI) hold time	0.00	0.00	ns
t_{CKQ1}	Clock HIGH to new data valid on DO (output retained, WMODE = 0)	2.99	3.52	ns
t_{CKQ2}	Clock HIGH to new data valid on DO (pipelined)	1.24	1.46	ns
t_{WRO}	Address collision clk-to-clk delay for reliable read access after write on same address	TBD	TBD	ns
t_{CCKH}	Address collision clk-to-clk delay for reliable write access after write/read on same address	TBD	TBD	ns
t_{RSTBQ}	RESET_B LOW to data out LOW on DO (flow through)	1.28	1.50	ns
	RESET_B LOW to data out LOW on DO (pipelined)	1.28	1.50	ns
$t_{REMRSTB}$	RESET_B removal	0.40	0.47	ns
$t_{RECRSTB}$	RESET_B recovery	2.08	2.44	ns
$t_{MPWRSTB}$	RESET_B minimum pulse width	0.66	0.76	ns
t_{CYC}	Clock cycle time	6.08	6.99	ns
F_{MAX}	Maximum frequency	164	143	MHz

Note: For specific junction temperature and voltage supply levels, refer to [Table 2-5 on page 2-8](#) for derating values.

Table 2-188 • RAM512X18

Military-Case Conditions: $T_J = 125^\circ\text{C}$, $V_{CC} = 1.425\text{ V}$ for A3PE600L and A3PE3000L

Parameter	Description	-1	Std.	Units
t_{AS}	Address setup time	0.26	0.31	ns
t_{AH}	Address hold time	0.00	0.00	ns
t_{ENS}	REN_B, WEN_B setup time	0.10	0.11	ns
t_{ENH}	REN_B, WEN_B hold time	0.06	0.07	ns
t_{DS}	Input data (DI) setup time	0.19	0.23	ns
t_{DH}	Input data (DI) hold time	0.00	0.00	ns
t_{CKQ1}	Clock HIGH to new data valid on DO (output retained, WMODE = 0)	2.29	2.69	ns
t_{CKQ2}	Clock HIGH to new data valid on DO (pipelined)	0.95	1.12	ns
t_{WRO}	Address collision clk-to-clk delay for reliable read access after write on same address	TBD	TBD	ns
t_{CCKH}	Address collision clk-to-clk delay for reliable write access after write/read on same address	TBD	TBD	ns
t_{RSTBQ}	RESET_B LOW to data out LOW on DO (flow through)	0.98	1.15	ns
	RESET_B LOW to data out LOW on DO (pipelined)	0.98	1.15	ns
$t_{REMRSTB}$	RESET_B removal	0.30	0.36	ns
$t_{RECRSTB}$	RESET_B recovery	1.59	1.87	ns
$t_{MPWRSTB}$	RESET_B minimum pulse width	0.59	0.67	ns
t_{CYC}	Clock cycle time	5.39	6.20	ns
F_{MAX}	Maximum frequency	185	161	MHz

Note: For specific junction temperature and voltage supply levels, refer to Table 2-5 on page 2-8 for derating values.

Table 2-189 • RAM512X18
Military-Case Conditions: $T_J = 125^\circ\text{C}$, Worst-Case $V_{CC} = 1.425\text{ V}$ for A3P1000

Parameter	Description	-1	Std.	Units
t_{AS}	Address setup time	0.30	0.35	ns
t_{AH}	Address hold time	0.00	0.00	ns
t_{ENS}	REN_B, WEN_B setup time	0.11	0.13	ns
t_{ENH}	REN_B, WEN_B hold time	0.07	0.08	ns
t_{DS}	Input data (DI) setup time	0.22	0.26	ns
t_{DH}	Input data (DI) hold time	0.00	0.00	ns
t_{CKQ1}	Clock HIGH to new data valid on DO (output retained, WMODE = 0)	2.60	3.06	ns
t_{CKQ2}	Clock HIGH to new data valid on DO (pipelined)	1.08	1.27	ns
t_{WRO}	Address collision clk-to-clk delay for reliable read access after write on same address	TBD	TBD	ns
t_{CCKH}	Address collision clk-to-clk delay for reliable write access after write/read on same address	TBD	TBD	ns
t_{RSTBQ}	RESET_B LOW to data out LOW on DO (flow through)	1.11	1.31	ns
	RESET_B LOW to data out LOW on DO (pipelined)	1.11	1.31	ns
$t_{REMRSTB}$	RESET_B removal	0.34	0.40	ns
$t_{RECRSTB}$	RESET_B recovery	1.81	2.12	ns
$t_{MPWRSTB}$	RESET_B minimum pulse width	0.26	0.30	ns
t_{CYC}	Clock cycle time	3.89	4.57	ns
F_{MAX}	Maximum frequency	257	219	MHz

Note: For specific junction temperature and voltage supply levels, refer to [Table 2-6 on page 2-8](#) for derating values.



FIFO

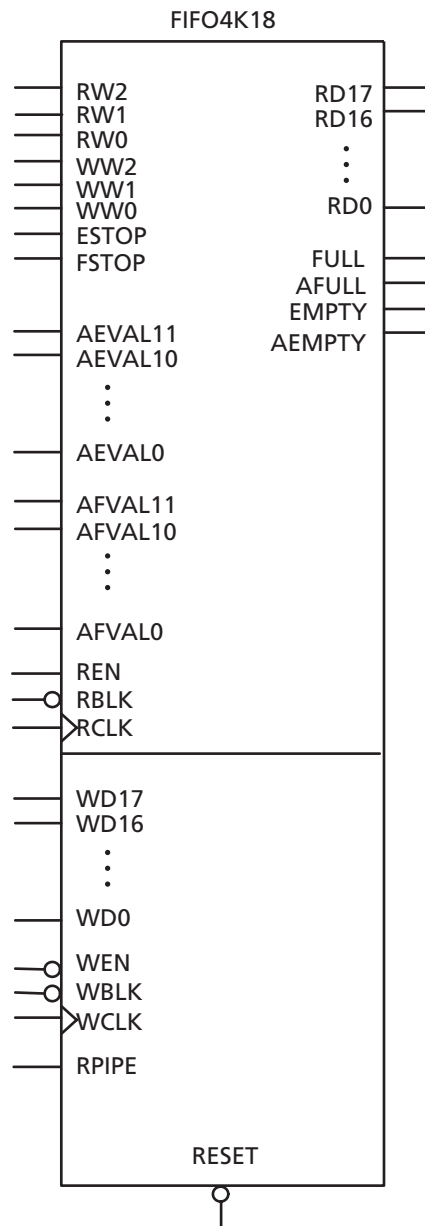


Figure 2-51 • FIFO Model

Timing Waveforms

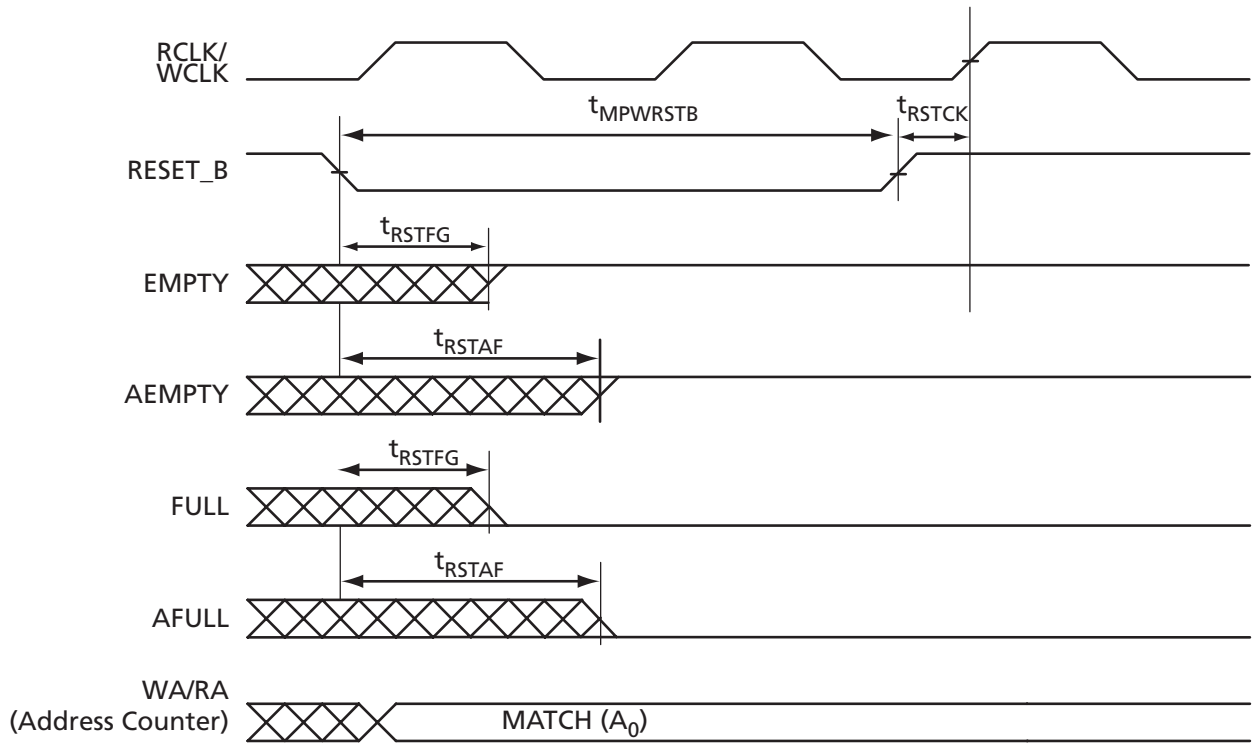


Figure 2-52 • FIFO Reset

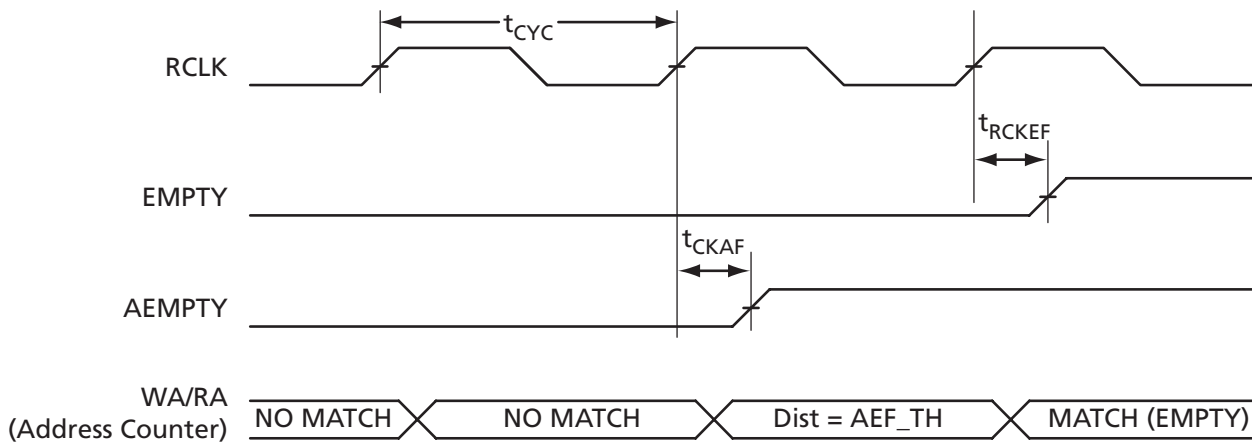
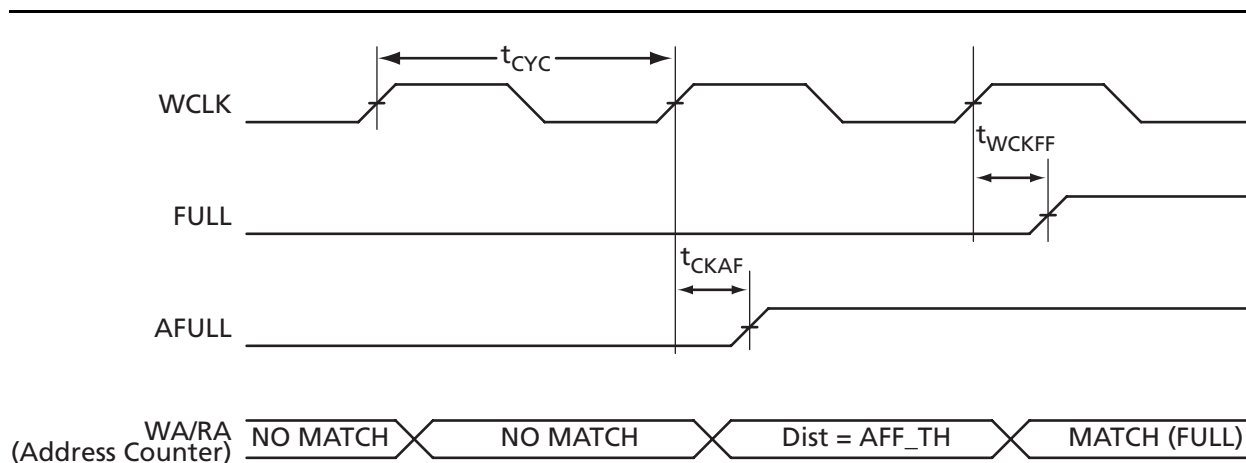
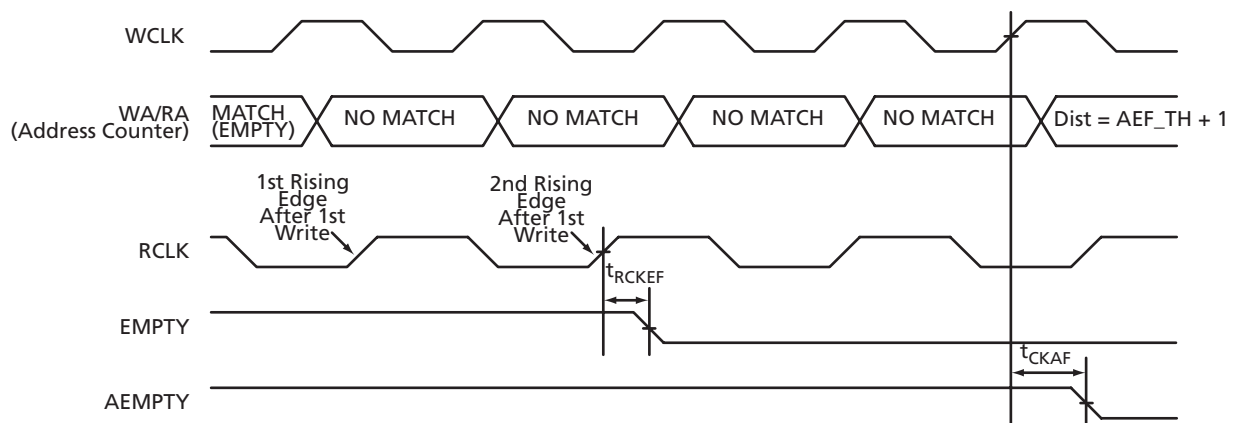
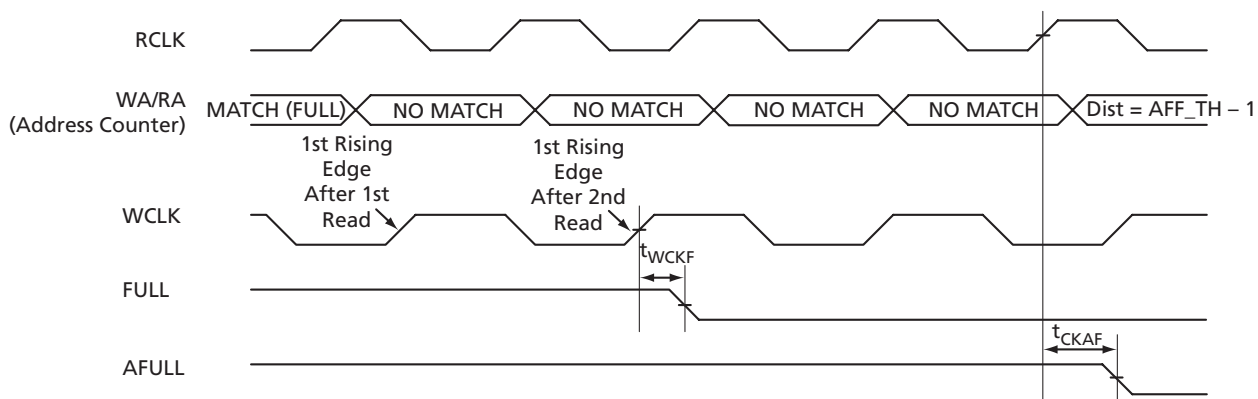


Figure 2-53 • FIFO EMPTY Flag and AEMPTY Flag Assertion




Figure 2-54 • FIFO FULL Flag and AFULL Flag Assertion

Figure 2-55 • FIFO EMPTY Flag and AEMPTY Flag Deassertion

Figure 2-56 • FIFO FULL Flag and AFULL Flag Deassertion

Timing Characteristics

Table 2-190 • FIFO

Worst Military-Case Conditions: $T_j = 125^{\circ}\text{C}$, $V_{CC} = 1.14\text{ V}$ for A3PE600L and A3PE3000L

Parameter	Description	-1	Std.	Units
t_{ENS}	REN_B, WEN_B Setup Time	1.91	2.24	ns
t_{ENH}	REN_B, WEN_B Hold Time	0.03	0.03	ns
t_{BKS}	BLK_B Setup Time	0.40	0.47	ns
t_{BKH}	BLK_B Hold Time	0.00	0.00	ns
t_{DS}	Input Data (DI) Setup Time	0.25	0.30	ns
t_{DH}	Input Data (DI) Hold Time	0.00	0.00	ns
t_{CKQ1}	Clock HIGH to New Data Valid on DO (flow-through)	3.26	3.84	ns
t_{CKQ2}	Clock HIGH to New Data Valid on DO (pipelined)	1.24	1.46	ns
t_{RCKEF}	RCLK HIGH to Empty Flag Valid	2.38	2.80	ns
t_{WCKFF}	WCLK HIGH to Full Flag Valid	2.26	2.66	ns
t_{CKAF}	Clock HIGH to Almost Empty/Full Flag Valid	8.57	10.08	ns
t_{RSTFG}	RESET_B LOW to Empty/Full Flag Valid	2.34	2.76	ns
t_{RSTAF}	RESET_B LOW to Almost Empty/Full Flag Valid	8.48	9.97	ns
t_{RSTBQ}	RESET_B LOW to Data Out LOW on DO (flow-through)	1.28	1.50	ns
	RESET_B LOW to Data Out LOW on DO (pipelined)	1.28	1.50	ns
$t_{REMRSTB}$	RESET_B Removal	0.40	0.47	ns
$t_{RECRSTB}$	RESET_B Recovery	2.08	2.44	ns
$t_{MPWRSTB}$	RESET_B Minimum Pulse Width	0.66	0.76	ns
t_{CYC}	Clock Cycle Time	6.08	6.99	ns
F_{MAX}	Maximum Frequency for FIFO	164	143	MHz

Note: For specific junction temperature and voltage supply levels, refer to Table 2-5 on page 2-8 for derating values.

Table 2-191 • FIFO

Worst Military-Case Conditions: $T_J = 125^{\circ}\text{C}$, $V_{CC} = 1.425\text{ V}$ for A3PE600L and A3PE3000L

Parameter	Description	-1	Std.	Units
t_{ENS}	REN_B, WEN_B Setup Time	1.46	1.71	ns
t_{ENH}	REN_B, WEN_B Hold Time	0.02	0.02	ns
t_{BKS}	BLK_B Setup Time	0.40	0.47	ns
t_{BKH}	BLK_B Hold Time	0.00	0.00	ns
t_{DS}	Input Data (DI) Setup Time	0.19	0.23	ns
t_{DH}	Input Data (DI) Hold Time	0.00	0.00	ns
t_{CKQ1}	Clock HIGH to New Data Valid on DO (flow-through)	2.50	2.93	ns
t_{CKQ2}	Clock HIGH to New Data Valid on DO (pipelined)	0.95	1.11	ns
t_{RCKEF}	RCLK HIGH to Empty Flag Valid	1.82	2.14	ns
t_{WCKFF}	WCLK HIGH to Full Flag Valid	1.73	2.03	ns
t_{CKAF}	Clock HIGH to Almost Empty/Full Flag Valid	6.56	7.71	ns
t_{RSTFG}	RESET_B LOW to Empty/Full Flag Valid	1.79	2.11	ns
t_{RSTAF}	RESET_B LOW to Almost Empty/Full Flag Valid	6.49	7.63	ns
t_{RSTBQ}	RESET_B LOW to Data Out LOW on DO (flow-through)	0.98	1.15	ns
	RESET_B LOW to Data Out LOW on DO (pipelined)	0.98	1.15	ns
$t_{REMRSTB}$	RESET_B Removal	0.30	0.36	ns
$t_{RECRSTB}$	RESET_B Recovery	1.59	1.87	ns
$t_{MPWRSTB}$	RESET_B Minimum Pulse Width	0.59	0.67	ns
t_{CYC}	Clock Cycle Time	5.39	6.20	ns
F_{MAX}	Maximum Frequency for FIFO	185	161	MHz

Note: For specific junction temperature and voltage supply levels, refer to Table 2-5 on page 2-8 for derating values.

Table 2-192 • FIFO

Worst Military-Case Conditions: $T_J = 125^\circ\text{C}$, $V_{CC} = 1.425\text{ V}$ for A3P1000

Parameter	Description	-1	Std.	Units
t_{ENS}	REN_B, WEN_B Setup Time	1.66	1.95	ns
t_{ENH}	REN_B, WEN_B Hold Time	0.02	0.03	ns
t_{BKS}	BLK_B Setup Time	0.40	0.47	ns
t_{BKH}	BLK_B Hold Time	0.00	0.00	ns
t_{DS}	Input Data (DI) Setup Time	0.22	0.26	ns
t_{DH}	Input Data (DI) Hold Time	0.00	0.00	ns
t_{CKQ1}	Clock HIGH to New Data Valid on DO (flow-through)	2.84	3.33	ns
t_{CKQ2}	Clock HIGH to New Data Valid on DO (pipelined)	1.08	1.27	ns
t_{RCKEF}	RCLK HIGH to Empty Flag Valid	2.07	2.43	ns
t_{WCKFF}	WCLK HIGH to Full Flag Valid	1.96	2.31	ns
t_{CKAF}	Clock HIGH to Almost Empty/Full Flag Valid	7.45	8.76	ns
t_{RSTFG}	RESET_B LOW to Empty/Full Flag Valid	2.04	2.40	ns
t_{RSTAF}	RESET_B LOW to Almost Empty/Full Flag Valid	7.38	8.67	ns
t_{RSTBQ}	RESET_B LOW to Data Out LOW on DO (flow-through)	1.11	1.31	ns
	RESET_B LOW to Data Out LOW on DO (pipelined)	1.11	1.31	ns
$t_{REMRSTB}$	RESET_B Removal	0.34	0.40	ns
$t_{RECRSTB}$	RESET_B Recovery	1.81	2.12	ns
$t_{MPWRSTB}$	RESET_B Minimum Pulse Width	0.26	0.30	ns
t_{CYC}	Clock Cycle Time	3.89	4.57	ns
F_{MAX}	Maximum Frequency for FIFO	257	219	MHz

Note: For specific junction temperature and voltage supply levels, refer to Table 2-6 on page 2-8 for derating values.

Embedded FlashROM Characteristics

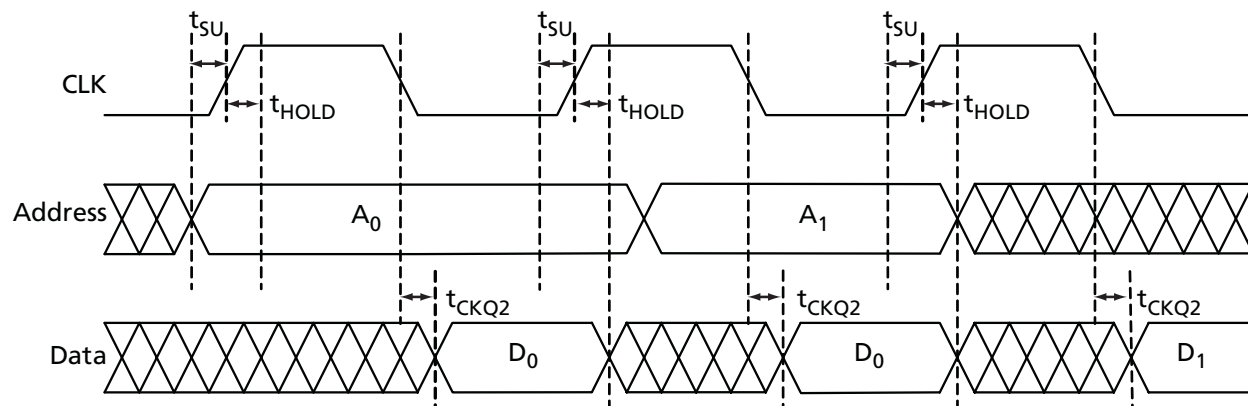


Figure 2-57 • Timing Diagram

Timing Characteristics

Table 2-193 • Embedded FlashROM Access Time
 Military-Case Conditions: $T_J = 125^\circ\text{C}$, Worst-Case $V_{CC} = 1.14\text{ V}$ for A3PE600L and A3PE3000L

Parameter	Description	-1	Std.	Units
t_{SU}	Address Setup Time	0.74	0.87	ns
t_{HOLD}	Address Hold Time	0.00	0.00	ns
t_{CKQ2}	Clock to Out	22.47	26.42	ns
F_{MAX}	Maximum Clock Frequency	15	15	MHz

Note: For specific junction temperature and voltage supply levels, refer to Table 2-5 on page 2-8 for derating values.

Table 2-194 • Embedded FlashROM Access Time
 Military-Case Conditions: $T_J = 125^\circ\text{C}$, $V_{CC} = 1.425\text{ V}$ for A3PE600L and A3PE3000L

Parameter	Description	-1	Std.	Units
t_{SU}	Address Setup Time	0.56	0.66	ns
t_{HOLD}	Address Hold Time	0.00	0.00	ns
t_{CKQ2}	Clock to Out	17.19	20.21	ns
F_{MAX}	Maximum Clock Frequency	15	15	MHz

Note: For specific junction temperature and voltage supply levels, refer to Table 2-5 on page 2-8 for derating values.

Table 2-195 • Embedded FlashROM Access Time
 Military-Case Conditions: $T_J = 125^\circ\text{C}$, Worst-Case $V_{CC} = 1.425\text{ V}$ for A3P1000

Parameter	Description	-1	Std.	Units
t_{SU}	Address Setup Time	0.64	0.75	ns
t_{HOLD}	Address Hold Time	0.00	0.00	ns
t_{CKQ2}	Clock to Out	19.54	22.97	ns
F_{MAX}	Maximum Clock Frequency	15	15	MHz

Note: For specific junction temperature and voltage supply levels, refer to Table 2-6 on page 2-8 for derating values.

JTAG 1532 Characteristics

JTAG timing delays do not include JTAG I/Os. To obtain complete JTAG timing, add I/O buffer delays to the corresponding standard selected; refer to the I/O timing characteristics in the "User I/O Characteristics" section on page 2-20 for more details.

Timing Characteristics

Table 2-196 • JTAG 1532
Military-Case Conditions: $T_J = 125^{\circ}\text{C}$, Worst-Case $V_{CC} = 1.14\text{ V}$ for A3PE600L and A3PE3000L

Parameter	Description	-1	Std.	Units
t_{DISU}	Test Data Input Setup Time	0.80	0.94	ns
t_{DIHD}	Test Data Input Hold Time	1.60	1.88	ns
t_{TMSSU}	Test Mode Select Setup Time	0.80	0.94	ns
t_{TMDHD}	Test Mode Select Hold Time	1.60	1.88	ns
t_{TCK2Q}	Clock to Q (data out)	6.39	7.52	ns
t_{RSTB2Q}	Reset to Q (data out)	26.63	31.33	ns
F_{TCKMAX}	TCK Maximum Frequency	18.70	15.90	MHz
$t_{TRSTREM}$	ResetB Removal Time	0.48	0.56	ns
$t_{TRSTREC}$	ResetB Recovery Time	0.00	0.00	ns
$t_{TRSTMPW}$	ResetB Minimum Pulse	TBD	TBD	ns

Note: For specific junction temperature and voltage supply levels, refer to Table 2-5 on page 2-8 for derating values.

Table 2-197 • JTAG 1532
Military-Case Conditions: $T_J = 125^{\circ}\text{C}$, Worst-Case $V_{CC} = 1.425\text{ V}$ for All Dies

Parameter	Description	-1	Std.	Units
t_{DISU}	Test Data Input Setup Time	0.60	0.71	ns
t_{DIHD}	Test Data Input Hold Time	1.21	1.42	ns
t_{TMSSU}	Test Mode Select Setup Time	0.60	0.71	ns
t_{TMDHD}	Test Mode Select Hold Time	1.21	1.42	ns
t_{TCK2Q}	Clock to Q (data out)	6.04	7.10	ns
t_{RSTB2Q}	Reset to Q (data out)	24.15	28.41	ns
F_{TCKMAX}	TCK Maximum Frequency	22.00	19.00	MHz
$t_{TRSTREM}$	ResetB Removal Time	0.00	0.00	ns
$t_{TRSTREC}$	ResetB Recovery Time	0.24	0.28	ns
$t_{TRSTMPW}$	ResetB Minimum Pulse	TBD	TBD	ns

Note: For specific junction temperature and voltage supply levels, refer to Table 2-5 on page 2-8 for derating values.

Part Number and Revision Date

Part Number 51700106-001-0
Revised August 2008



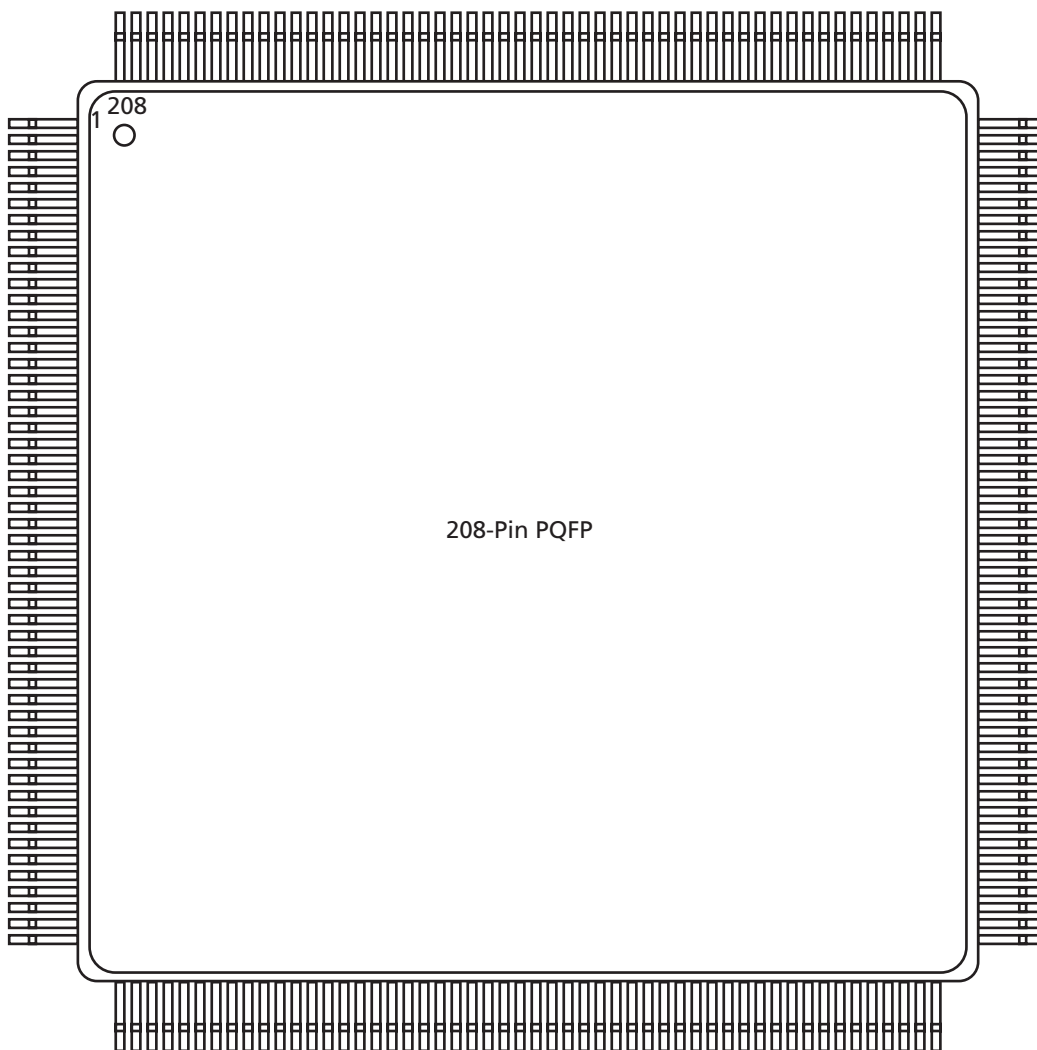
Actel Safety Critical, Life Support, and High-Reliability Applications Policy

The Actel products described in this advance status datasheet may not have completed Actel's qualification process. Actel may amend or enhance products during the product introduction and qualification process, resulting in changes in device functionality or performance. It is the responsibility of each customer to ensure the fitness of any Actel product (but especially a new product) for a particular purpose, including appropriateness for safety-critical, life-support, and other high-reliability applications. Consult Actel's Terms and Conditions for specific liability exclusions relating to life-support applications. A reliability report covering all of Actel's products is available on the Actel website at http://www.actel.com/documents/ORT_Report.pdf. Actel also offers a variety of enhanced qualification and lot acceptance screening procedures. Contact your local Actel sales office for additional reliability information.



3 – Package Pin Assignments

208-Pin PQFP



Note: This is the top view of the package.

Figure 3-1 •

Note

For Package Manufacturing and Environmental information, visit the Resource Center at <http://www.actel.com/products/solutions/package/docs.aspx>.

208-Pin PQFP	
Pin Number	A3P1000 Function
1	GND
2	GAA2/IO225PDB3
3	IO225NDB3
4	GAB2/IO224PDB3
5	IO224NDB3
6	GAC2/IO223PDB3
7	IO223NDB3
8	IO222PDB3
9	IO222NDB3
10	IO220PDB3
11	IO220NDB3
12	IO218PDB3
13	IO218NDB3
14	IO216PDB3
15	IO216NDB3
16	V _{CC}
17	GND
18	V _{CCI} B3
19	IO212PDB3
20	IO212NDB3
21	GFC1/IO209PDB3
22	GFC0/IO209NDB3
23	GFB1/IO208PDB3
24	GFB0/IO208NDB3
25	V _{COMPLF}
26	GFA0/IO207NPB3
27	V _{CCPLF}
28	GFA1/IO207PPB3
29	GND
30	GFA2/IO206PDB3
31	IO206NDB3
32	GFB2/IO205PDB3
33	IO205NDB3
34	GFC2/IO204PDB3
35	IO204NDB3
36	V _{CC}

208-Pin PQFP	
Pin Number	A3P1000 Function
37	IO199PDB3
38	IO199NDB3
39	IO197PSB3
40	V _{CC} B3
41	GND
42	IO191PDB3
43	IO191NDB3
44	GEC1/IO190PDB3
45	GEC0/IO190NDB3
46	GEB1/IO189PDB3
47	GEB0/IO189NDB3
48	GEA1/IO188PDB3
49	GEA0/IO188NDB3
50	VMV3
51	GNDQ
52	GND
53	VMV2
54	GEA2/IO187RSB2
55	GEB2/IO186RSB2
56	GEC2/IO185RSB2
57	IO184RSB2
58	IO183RSB2
59	IO182RSB2
60	IO181RSB2
61	IO180RSB2
62	V _{CC} B2
63	IO178RSB2
64	IO176RSB2
65	GND
66	IO174RSB2
67	IO172RSB2
68	IO170RSB2
69	IO168RSB2
70	IO166RSB2
71	V _{CC}
72	V _{CC} B2

208-Pin PQFP	
Pin Number	A3P1000 Function
73	IO162RSB2
74	IO160RSB2
75	IO158RSB2
76	IO156RSB2
77	IO154RSB2
78	IO152RSB2
79	IO150RSB2
80	IO148RSB2
81	GND
82	IO143RSB2
83	IO141RSB2
84	IO139RSB2
85	IO137RSB2
86	IO135RSB2
87	IO133RSB2
88	V _{CC}
89	V _{CC} B2
90	IO128RSB2
91	IO126RSB2
92	IO124RSB2
93	IO122RSB2
94	IO120RSB2
95	IO118RSB2
96	GDC2/IO116RSB2
97	GND
98	GDB2/IO115RSB2
99	GDA2/IO114RSB2
100	GNDQ
101	TCK
102	TDI
103	TMS
104	VMV2
105	GND
106	V _{PUMP}
107	GNDQ
108	TDO

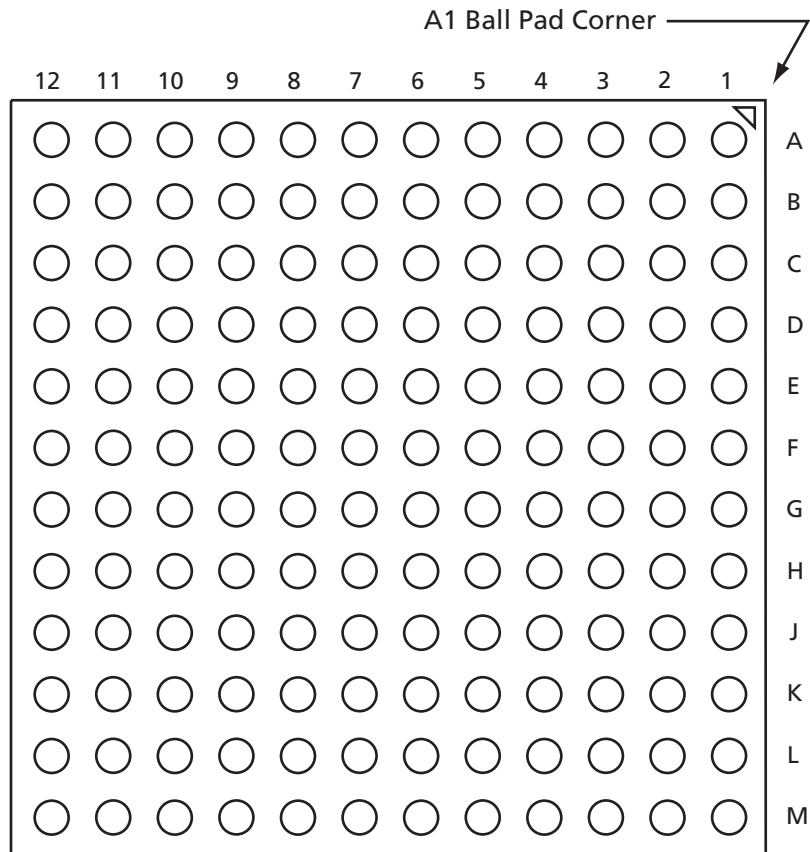


208-Pin PQFP	
Pin Number	A3P1000 Function
109	TRST
110	V _{JTAG}
111	GDA0/IO113NDB1
112	GDA1/IO113PDB1
113	GDB0/IO112NDB1
114	GDB1/IO112PDB1
115	GDC0/IO111NDB1
116	GDC1/IO111PDB1
117	IO109NDB1
118	IO109PDB1
119	IO106NDB1
120	IO106PDB1
121	IO104PSB1
122	GND
123	V _{CC} B1
124	IO99NDB1
125	IO99PDB1
126	NC
127	IO96NDB1
128	GCC2/IO96PDB1
129	GCB2/IO95PSB1
130	GND
131	GCA2/IO94PSB1
132	GCA1/IO93PDB1
133	GCA0/IO93NDB1
134	GCB0/IO92NDB1
135	GCB1/IO92PDB1
136	GCC0/IO91NDB1
137	GCC1/IO91PDB1
138	IO88NDB1
139	IO88PDB1
140	V _{CC} B1
141	GND
142	V _{CC}
143	IO86PSB1
144	IO84NDB1

208-Pin PQFP	
Pin Number	A3P1000 Function
145	IO84PDB1
146	IO82NDB1
147	IO82PDB1
148	IO80NDB1
149	GBC2/IO80PDB1
150	IO79NDB1
151	GBB2/IO79PDB1
152	IO78NDB1
153	GBA2/IO78PDB1
154	VMV1
155	GNDQ
156	GND
157	VMV0
158	GBA1/IO77RSB0
159	GBA0/IO76RSB0
160	GBB1/IO75RSB0
161	GBB0/IO74RSB0
162	GND
163	GBC1/IO73RSB0
164	GBC0/IO72RSB0
165	IO70RSB0
166	IO67RSB0
167	IO63RSB0
168	IO60RSB0
169	IO57RSB0
170	V _{CC} B0
171	V _{CC}
172	IO54RSB0
173	IO51RSB0
174	IO48RSB0
175	IO45RSB0
176	IO42RSB0
177	IO40RSB0
178	GND
179	IO38RSB0
180	IO35RSB0

208-Pin PQFP	
Pin Number	A3P1000 Function
181	IO33RSB0
182	IO31RSB0
183	IO29RSB0
184	IO27RSB0
185	IO25RSB0
186	V _{CC} B0
187	V _{CC}
188	IO22RSB0
189	IO20RSB0
190	IO18RSB0
191	IO16RSB0
192	IO15RSB0
193	IO14RSB0
194	IO13RSB0
195	GND
196	IO12RSB0
197	IO11RSB0
198	IO10RSB0
199	IO09RSB0
200	V _{CC} B0
201	GAC1/IO05RSB0
202	GAC0/IO04RSB0
203	GAB1/IO03RSB0
204	GAB0/IO02RSB0
205	GAA1/IO01RSB0
206	GAA0/IO00RSB0
207	GNDQ
208	VMV0

144-Pin FBGA



Note: This is the bottom view of the package.

Figure 3-2 •

Note

For Package Manufacturing and Environmental information, visit the Resource Center at <http://www.actel.com/products/solutions/package/docs.aspx>.

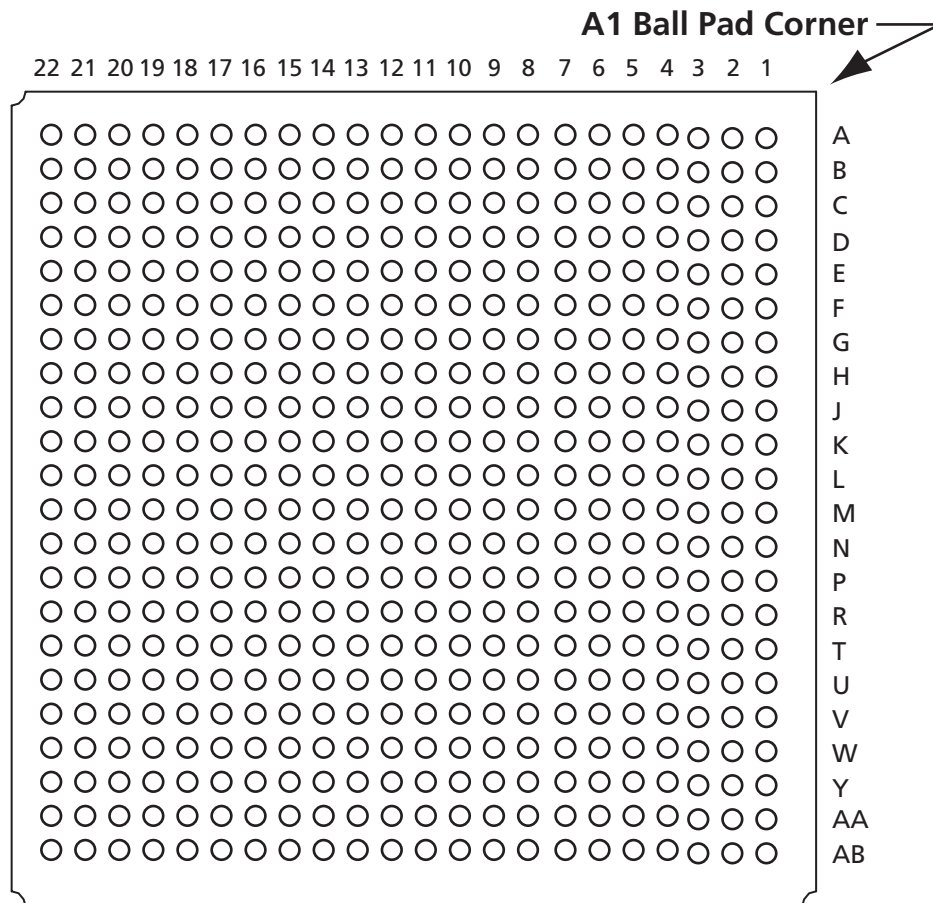
144-Pin FBGA	
Pin Number	A3P1000 Function
A1	GNDQ
A2	VMV0
A3	GAB0/IO02RSB0
A4	GAB1/IO03RSB0
A5	IO10RSB0
A6	GND
A7	IO44RSB0
A8	V _{CC}
A9	IO69RSB0
A10	GBA0/IO76RSB0
A11	GBA1/IO77RSB0
A12	GNDQ
B1	GAB2/IO224PDB3
B2	GND
B3	GAA0/IO00RSB0
B4	GAA1/IO01RSB0
B5	IO13RSB0
B6	IO26RSB0
B7	IO35RSB0
B8	IO60RSB0
B9	GBB0/IO74RSB0
B10	GBB1/IO75RSB0
B11	GND
B12	VMV1
C1	IO224NDB3
C2	GFA2/IO206PPB3
C3	GAC2/IO223PDB3
C4	V _{CC}
C5	IO16RSB0
C6	IO29RSB0
C7	IO32RSB0
C8	IO63RSB0
C9	IO66RSB0
C10	GBA2/IO78PDB1
C11	IO78NDB1
C12	GBC2/IO80PPB1

144-Pin FBGA	
Pin Number	A3P1000 Function
D1	IO213PDB3
D2	IO213NDB3
D3	IO223NDB3
D4	GAA2/IO225PPB3
D5	GAC0/IO04RSB0
D6	GAC1/IO05RSB0
D7	GBC0/IO72RSB0
D8	GBC1/IO73RSB0
D9	GBB2/IO79PDB1
D10	IO79NDB1
D11	IO80NPB1
D12	GCB1/IO92PPB1
E1	V _{CC}
E2	GFC0/IO209NDB3
E3	GFC1/IO209PDB3
E4	V _{CC} B3
E5	IO225NPB3
E6	V _{CC} B0
E7	V _{CC} B0
E8	GCC1/IO91PDB1
E9	V _{CC} B1
E10	V _{CC}
E11	GCA0/IO93NDB1
E12	IO94NDB1
F1	GFB0/IO208NPB3
F2	V _{COMPLF}
F3	GFB1/IO208PPB3
F4	IO206NPB3
F5	GND
F6	GND
F7	GND
F8	GCC0/IO91NDB1
F9	GCB0/IO92NPB1
F10	GND
F11	GCA1/IO93PDB1
F12	GCA2/IO94PDB1

144-Pin FBGA	
Pin Number	A3P1000 Function
G1	GFA1/IO207PPB3
G2	GND
G3	V _{CCPLF}
G4	GFA0/IO207NPB3
G5	GND
G6	GND
G7	GND
G8	GDC1/IO111PPB1
G9	IO96NDB1
G10	GCC2/IO96PDB1
G11	IO95NDB1
G12	GCB2/IO95PDB1
H1	V _{CC}
H2	GFB2/IO205PDB3
H3	GFC2/IO204PSB3
H4	GEC1/IO190PDB3
H5	V _{CC}
H6	IO105PDB1
H7	IO105NDB1
H8	GDB2/IO115RSB2
H9	GDC0/IO111NPB1
H10	V _{CC} B1
H11	IO101PSB1
H12	V _{CC}
J1	GEB1/IO189PDB3
J2	IO205NDB3
J3	V _{CC} B3
J4	GEC0/IO190NDB3
J5	IO160RSB2
J6	IO157RSB2
J7	V _{CC}
J8	TCK
J9	GDA2/IO114RSB2
J10	TDO
J11	GDA1/IO113PDB1
J12	GDB1/IO112PDB1

144-Pin FBGA	
Pin Number	A3P1000 Function
K1	GEB0/IO189NDB3
K2	GEA1/IO188PDB3
K3	GEA0/IO188NDB3
K4	GEA2/IO187RSB2
K5	IO169RSB2
K6	IO152RSB2
K7	GND
K8	IO117RSB2
K9	GDC2/IO116RSB2
K10	GND
K11	GDA0/IO113NDB1
K12	GDB0/IO112NDB1
L1	GND
L2	VMV3
L3	FF/GEB2/IO186RSB2
L4	IO172RSB2
L5	V _{CC} B2
L6	IO153RSB2
L7	IO144RSB2
L8	IO140RSB2
L9	TMS
L10	V _{JTAG}
L11	VMV2
L12	TRST
M1	GNDQ
M2	GEC2/IO185RSB2
M3	IO173RSB2
M4	IO168RSB2
M5	IO161RSB2
M6	IO156RSB2
M7	IO145RSB2
M8	IO141RSB2
M9	TDI
M10	V _{CC} B2
M11	V _{PUMP}
M12	GNDQ

484-Pin FBGA



Note: This is the bottom view of the package.

Figure 3-3 •

Note

For Package Manufacturing and Environmental information, visit the Resource Center at <http://www.actel.com/products/solutions/package/docs.aspx>.

484-Pin FBGA		484-Pin FBGA		484-Pin FBGA	
Pin Number	A3PE600L Function	Pin Number	A3PE600L Function	Pin Number	A3PE600L Function
A1	GND	B14	NC	D5	GAA0/IO00NDB0V0
A2	GND	B15	NC	D6	GAA1/IO00PDB0V0
A3	V _{CC} B0	B16	IO30NDB1V1	D7	GAB0/IO01NDB0V0
A4	IO06NDB0V1	B17	IO30PDB1V1	D8	IO05PDB0V0
A5	IO06PDB0V1	B18	IO32PDB1V1	D9	IO10PDB0V1
A6	IO08NDB0V1	B19	NC	D10	IO12PDB0V2
A7	IO08PDB0V1	B20	NC	D11	IO16NDB0V2
A8	IO11PDB0V1	B21	V _{CC} B2	D12	IO23NDB1V0
A9	IO17PDB0V2	B22	GND	D13	IO23PDB1V0
A10	IO18NDB0V2	C1	V _{CC} B7	D14	IO28NDB1V1
A11	IO18PDB0V2	C2	NC	D15	IO28PDB1V1
A12	IO22PDB1V0	C3	NC	D16	GBB1/IO34PDB1V1
A13	IO26PDB1V0	C4	NC	D17	GBA0/IO35NDB1V1
A14	IO29NDB1V1	C5	GND	D18	GBA1/IO35PDB1V1
A15	IO29PDB1V1	C6	IO04NDB0V0	D19	GND
A16	IO31NDB1V1	C7	IO04PDB0V0	D20	NC
A17	IO31PDB1V1	C8	V _{CC}	D21	NC
A18	IO32NDB1V1	C9	V _{CC}	D22	NC
A19	NC	C10	IO14NDB0V2	E1	NC
A20	V _{CC} B1	C11	IO19NDB0V2	E2	NC
A21	GND	C12	NC	E3	GND
A22	GND	C13	NC	E4	GAB2/IO133PDB7V1
B1	GND	C14	V _{CC}	E5	GAA2/IO134PDB7V1
B2	V _{CC} B7	C15	V _{CC}	E6	GNDQ
B3	NC	C16	NC	E7	GAB1/IO01PDB0V0
B4	IO03NDB0V0	C17	NC	E8	IO05NDB0V0
B5	IO03PDB0V0	C18	GND	E9	IO10NDB0V1
B6	IO07NDB0V1	C19	NC	E10	IO12NDB0V2
B7	IO07PDB0V1	C20	NC	E11	IO16PDB0V2
B8	IO11NDB0V1	C21	NC	E12	IO20NDB1V0
B9	IO17NDB0V2	C22	V _{CC} B2	E13	IO24NDB1V0
B10	IO14PDB0V2	D1	NC	E14	IO24PDB1V0
B11	IO19PDB0V2	D2	NC	E15	GBC1/IO33PDB1V1
B12	IO22NDB1V0	D3	NC	E16	GBB0/IO34NDB1V1
B13	IO26NDB1V0	D4	GND	E17	GNDQ

484-Pin FBGA		484-Pin FBGA		484-Pin FBGA	
Pin Number	A3PE600L Function	Pin Number	A3PE600L Function	Pin Number	A3PE600L Function
E18	GBA2/IO36PDB2V0	G9	IO09NDB0V1	H22	NC
E19	IO42NDB2V0	G10	IO09PDB0V1	J1	IO123NDB7V0
E20	GND	G11	IO13PDB0V2	J2	IO123PDB7V0
E21	NC	G12	IO21PDB1V0	J3	NC
E22	NC	G13	IO25PDB1V0	J4	IO124PDB7V0
F1	NC	G14	IO27NDB1V0	J5	IO125PDB7V0
F2	IO131NDB7V1	G15	GNDQ	J6	IO126PDB7V0
F3	IO131PDB7V1	G16	V _{COMPLB}	J7	IO130NDB7V1
F4	IO133NDB7V1	G17	GBB2/IO37PDB2V0	J8	V _{CC} B7
F5	IO134NDB7V1	G18	IO39PDB2V0	J9	GND
F6	VMV7	G19	IO39NDB2V0	J10	V _{CC}
F7	V _{CC} PLA	G20	IO43PDB2V0	J11	V _{CC}
F8	GAC0/IO02NDB0V0	G21	IO43NDB2V0	J12	V _{CC}
F9	GAC1/IO02PDB0V0	G22	NC	J13	V _{CC}
F10	IO15NDB0V2	H1	NC	J14	GND
F11	IO15PDB0V2	H2	NC	J15	V _{CC} B2
F12	IO20PDB1V0	H3	V _{CC}	J16	IO38NDB2V0
F13	IO25NDB1V0	H4	IO128NDB7V1	J17	IO40NDB2V0
F14	IO27PDB1V0	H5	IO129NDB7V1	J18	IO40PDB2V0
F15	GBC0/IO33NDB1V1	H6	IO132NDB7V1	J19	IO45PDB2V1
F16	V _{CC} PLB	H7	IO130PDB7V1	J20	NC
F17	VMV2	H8	VMV0	J21	IO48PDB2V1
F18	IO36NDB2V0	H9	V _{CC} B0	J22	IO46PDB2V1
F19	IO42PDB2V0	H10	V _{CC} B0	K1	IO121NDB7V0
F20	NC	H11	IO13NDB0V2	K2	IO121PDB7V0
F21	NC	H12	IO21NDB1V0	K3	NC
F22	NC	H13	V _{CC} B1	K4	IO124NDB7V0
G1	IO127NDB7V1	H14	V _{CC} B1	K5	IO125NDB7V0
G2	IO127PDB7V1	H15	VMV1	K6	IO126NDB7V0
G3	NC	H16	GBC2/IO38PDB2V0	K7	GFC1/IO120PPB7V0
G4	IO128PDB7V1	H17	IO37NDB2V0	K8	V _{CC} B7
G5	IO129PDB7V1	H18	IO41NDB2V0	K9	V _{CC}
G6	GAC2/IO132PDB7V1	H19	IO41PDB2V0	K10	GND
G7	V _{COMPLA}	H20	V _{CC}	K11	GND
G8	GNDQ	H21	NC	K12	GND

484-Pin FBGA	
Pin Number	A3PE600L Function
K13	GND
K14	V _{CC}
K15	V _{CC} B2
K16	GCC1/IO50PPB2V1
K17	IO44NDB2V1
K18	IO44PDB2V1
K19	IO49NPB2V1
K20	IO45NDB2V1
K21	IO48NDB2V1
K22	IO46NDB2V1
L1	NC
L2	IO122PDB7V0
L3	IO122NDB7V0
L4	GFB0/IO119NPB7V0
L5	GFA0/IO118NDB6V1
L6	GFB1/IO119PPB7V0
L7	V _{COMPLF}
L8	GFC0/IO120NPB7V0
L9	V _{CC}
L10	GND
L11	GND
L12	GND
L13	GND
L14	V _{CC}
L15	GCC0/IO50NPB2V1
L16	GCB1/IO51PPB2V1
L17	GCA0/IO52NPB3V0
L18	V _{COMPLC}
L19	GCB0/IO51NPB2V1
L20	IO49PPB2V1
L21	IO47NDB2V1
L22	IO47PDB2V1
M1	NC
M2	IO114NDB6V1
M3	IO117NDB6V1

484-Pin FBGA	
Pin Number	A3PE600L Function
M4	GFA2/IO117PDB6V1
M5	GFA1/IO118PDB6V1
M6	V _{CC} PLF
M7	IO116NDB6V1
M8	GFB2/IO116PDB6V1
M9	V _{CC}
M10	GND
M11	GND
M12	GND
M13	GND
M14	V _{CC}
M15	GCB2/IO54PPB3V0
M16	GCA1/IO52PPB3V0
M17	GCC2/IO55PPB3V0
M18	V _{CC} PLC
M19	GCA2/IO53PDB3V0
M20	IO53NDB3V0
M21	IO56PDB3V0
M22	NC
N1	IO114PDB6V1
N2	IO111NDB6V1
N3	NC
N4	GFC2/IO115PDB6V1
N5	IO113PPB6V1
N6	IO112PDB6V1
N7	IO112NDB6V1
N8	V _{CC} B6
N9	V _{CC}
N10	GND
N11	GND
N12	GND
N13	GND
N14	V _{CC}
N15	V _{CC} B3
N16	IO54NPB3V0

484-Pin FBGA	
Pin Number	A3PE600L Function
N17	IO57NPB3V0
N18	IO55NPB3V0
N19	IO57PPB3V0
N20	NC
N21	IO56NDB3V0
N22	IO58PDB3V0
P1	NC
P2	IO111PDB6V1
P3	IO115NDB6V1
P4	IO113NPB6V1
P5	IO109PPB6V0
P6	IO108PDB6V0
P7	IO108NDB6V0
P8	V _{CC} B6
P9	GND
P10	V _{CC}
P11	V _{CC}
P12	V _{CC}
P13	V _{CC}
P14	GND
P15	V _{CC} B3
P16	GDB0/IO66NPB3V1
P17	IO60NDB3V1
P18	IO60PDB3V1
P19	IO61PDB3V1
P20	NC
P21	IO59PDB3V0
P22	IO58NDB3V0
R1	NC
R2	IO110PDB6V0
R3	V _{CC}
R4	IO109NPB6V0
R5	IO106NDB6V0
R6	IO106PDB6V0
R7	GEC0/IO104NPB6V0



484-Pin FBGA		484-Pin FBGA		484-Pin FBGA	
Pin Number	A3PE600L Function	Pin Number	A3PE600L Function	Pin Number	A3PE600L Function
R8	VMV5	T21	IO64PDB3V1	V12	IO83PDB5V0
R9	V _{CC} B5	T22	IO62NDB3V1	V13	IO77NDB4V1
R10	V _{CC} B5	U1	NC	V14	IO77PDB4V1
R11	IO84NDB5V0	U2	IO107PDB6V0	V15	IO69NDB4V0
R12	IO84PDB5V0	U3	IO107NDB6V0	V16	GDB2/IO69PDB4V0
R13	V _{CC} B4	U4	GEB1/IO103PDB6V0	V17	TDI
R14	V _{CC} B4	U5	GEB0/IO103NDB6V0	V18	GNDQ
R15	VMV3	U6	VMV6	V19	TDO
R16	V _{CC} PLD	U7	V _{CC} PLE	V20	GND
R17	GDB1/IO66PPB3V1	U8	IO101NPB5V2	V21	NC
R18	GDC1/IO65PDB3V1	U9	IO95PPB5V1	V22	IO63NDB3V1
R19	IO61NDB3V1	U10	IO92PDB5V1	W1	NC
R20	V _{CC}	U11	IO90PDB5V1	W2	NC
R21	IO59NDB3V0	U12	IO82PDB5V0	W3	NC
R22	IO62PDB3V1	U13	IO76NDB4V1	W4	GND
T1	NC	U14	IO76PDB4V1	W5	IO100NDB5V2
T2	IO110NDB6V0	U15	VMV4	W6	GEB2/IO100PDB5V2
T3	NC	U16	TCK	W7	IO99NDB5V2
T4	IO105PDB6V0	U17	V _{PUMP}	W8	IO88NDB5V0
T5	IO105NDB6V0	U18	TRST	W9	IO88PDB5V0
T6	GEC1/IO104PPB6V0	U19	GDA0/IO67NDB3V1	W10	IO89NDB5V0
T7	V _{COMPLE}	U20	NC	W11	IO80NDB4V1
T8	GNDQ	U21	IO64NDB3V1	W12	IO81NDB4V1
T9	GEA2/IO101PPB5V2	U22	IO63PDB3V1	W13	IO81PDB4V1
T10	IO92NDB5V1	V1	NC	W14	IO70NDB4V0
T11	IO90NDB5V1	V2	NC	W15	GDC2/IO70PDB4V0
T12	IO82NDB5V0	V3	GND	W16	IO68NDB4V0
T13	IO74NDB4V1	V4	GEA1/IO102PDB6V0	W17	GDA2/IO68PDB4V0
T14	IO74PDB4V1	V5	GEA0/IO102NDB6V0	W18	TMS
T15	GNDQ	V6	GNDQ	W19	GND
T16	V _{COMPLD}	V7	GEC2/IO99PDB5V2	W20	NC
T17	V _{JTAG}	V8	IO95NPB5V1	W21	NC
T18	GDC0/IO65NDB3V1	V9	IO91NDB5V1	W22	NC
T19	GDA1/IO67PDB3V1	V10	IO91PDB5V1	Y1	V _{CC} B6
T20	NC	V11	IO83NDB5V0	Y2	NC

484-Pin FBGA	
Pin Number	A3PE600L Function
Y3	NC
Y4	IO98NDB5V2
Y5	GND
Y6	IO94NDB5V1
Y7	IO94PDB5V1
Y8	V _{CC}
Y9	V _{CC}
Y10	IO89PDB5V0
Y11	IO80PDB4V1
Y12	IO78NPB4V1
Y13	NC
Y14	V _{CC}
Y15	V _{CC}
Y16	NC
Y17	NC
Y18	GND
Y19	NC
Y20	NC
Y21	NC
Y22	V _{CC} B3
AA1	GND
AA2	V _{CC} B6
AA3	NC
AA4	IO98PDB5V2
AA5	IO96NDB5V2
AA6	IO96PDB5V2
AA7	IO86NDB5V0
AA8	IO86PDB5V0
AA9	IO85PDB5V0
AA10	IO85NDB5V0

484-Pin FBGA	
Pin Number	A3PE600L Function
AA11	IO78PPB4V1
AA12	IO79NDB4V1
AA13	IO79PDB4V1
AA14	NC
AA15	NC
AA16	IO71NDB4V0
AA17	IO71PDB4V0
AA18	NC
AA19	NC
AA20	NC
AA21	V _{CC} B3
AA22	GND
AB1	GND
AB2	GND
AB3	V _{CC} B5
AB4	IO97NDB5V2
AB5	IO97PDB5V2
AB6	IO93NDB5V1

484-Pin FBGA	
Pin Number	A3PE600L Function
AB7	IO93PDB5V1
AB8	IO87NDB5V0
AB9	IO87PDB5V0
AB10	NC
AB11	NC
AB12	IO75NDB4V1
AB13	IO75PDB4V1
AB14	IO72NDB4V0
AB15	IO72PDB4V0
AB16	IO73NDB4V0
AB17	IO73PDB4V0
AB18	NC
AB19	NC
AB20	V _{CC} B4
AB21	GND
AB22	GND

484-Pin FBGA		484-Pin FBGA		484-Pin FBGA	
Pin Number	A3PE3000L Function	Pin Number	A3PE3000L Function	Pin Number	A3PE3000L Function
A1	GND	AA15	IO170PDB4V2	B7	IO14PDB0V1
A2	GND	AA16	IO166NDB4V1	B8	IO18NDB0V2
A3	V _{CC} I B0	AA17	IO166PDB4V1	B9	IO24NDB0V2
A4	IO10NDB0V1	AA18	IO160NDB4V0	B10	IO34PDB0V4
A5	IO10PDB0V1	AA19	IO160PDB4V0	B11	IO40PDB0V4
A6	IO16NDB0V1	AA20	IO158NPB4V0	B12	IO46NDB1V0
A7	IO16PDB0V1	AA21	V _{CC} I B3	B13	IO54NDB1V1
A8	IO18PDB0V2	AA22	GND	B14	IO62NDB1V2
A9	IO24PDB0V2	AB1	GND	B15	IO62PDB1V2
A10	IO28NDB0V3	AB2	GND	B16	IO68NDB1V3
A11	IO28PDB0V3	AB3	V _{CC} I B5	B17	IO68PDB1V3
A12	IO46PDB1V0	AB4	IO216NDB5V2	B18	IO72PDB1V3
A13	IO54PDB1V1	AB5	IO216PDB5V2	B19	IO74PDB1V4
A14	IO56NDB1V1	AB6	IO210NDB5V2	B20	IO76NPB1V4
A15	IO56PDB1V1	AB7	IO210PDB5V2	B21	V _{CC} I B2
A16	IO64NDB1V2	AB8	IO208NDB5V1	B22	GND
A17	IO64PDB1V2	AB9	IO208PDB5V1	C1	V _{CC} I B7
A18	IO72NDB1V3	AB10	IO197NDB5V0	C2	IO303PDB7V3
A19	IO74NDB1V4	AB11	IO197PDB5V0	C3	IO305PDB7V3
A20	V _{CC} I B1	AB12	IO174NDB4V2	C4	IO06NPB0V0
A21	GND	AB13	IO174PDB4V2	C5	GND
A22	GND	AB14	IO172NDB4V2	C6	IO12NDB0V1
AA1	GND	AB15	IO172PDB4V2	C7	IO12PDB0V1
AA2	V _{CC} I B6	AB16	IO168NDB4V1	C8	V _{CC}
AA3	IO228PDB5V4	AB17	IO168PDB4V1	C9	V _{CC}
AA4	IO224PDB5V3	AB18	IO162NDB4V1	C10	IO34NDB0V4
AA5	IO218NDB5V3	AB19	IO162PDB4V1	C11	IO40NDB0V4
AA6	IO218PDB5V3	AB20	V _{CC} I B4	C12	IO48NDB1V0
AA7	IO212NDB5V2	AB21	GND	C13	IO48PDB1V0
AA8	IO212PDB5V2	AB22	GND	C14	V _{CC}
AA9	IO198PDB5V0	B1	GND	C15	V _{CC}
AA10	IO198NDB5V0	B2	V _{CC} I B7	C16	IO70NDB1V3
AA11	IO188PPB4V4	B3	IO06PPB0V0	C17	IO70PDB1V3
AA12	IO180NDB4V3	B4	IO08NDB0V0	C18	GND
AA13	IO180PDB4V3	B5	IO08PDB0V0	C19	IO76PPB1V4
AA14	IO170NDB4V2	B6	IO14NDB0V1	C20	IO88NDB2V0

484-Pin FBGA	
Pin Number	A3PE3000L Function
C21	IO94PPB2V1
C22	V _{CC} I B2
D1	IO293PDB7V2
D2	IO303NDB7V3
D3	IO305NDB7V3
D4	GND
D5	GAA0/IO00NDB0V0
D6	GAA1/IO00PDB0V0
D7	GAB0/IO01NDB0V0
D8	IO20PDB0V2
D9	IO22PDB0V2
D10	IO30PDB0V3
D11	IO38NDB0V4
D12	IO52NDB1V1
D13	IO52PDB1V1
D14	IO66NDB1V3
D15	IO66PDB1V3
D16	GBB1/IO80PDB1V4
D17	GBA0/IO81NDB1V4
D18	GBA1/IO81PDB1V4
D19	GND
D20	IO88PDB2V0
D21	IO90PDB2V1
D22	IO94NPB2V1
E1	IO293NDB7V2
E2	IO299PPB7V3
E3	GND
E4	GAB2/IO308PDB7V4
E5	GAA2/IO309PDB7V4
E6	GNDQ
E7	GAB1/IO01PDB0V0
E8	IO20NDB0V2
E9	IO22NDB0V2
E10	IO30NDB0V3
E11	IO38PDB0V4
E12	IO44NDB1V0

484-Pin FBGA	
Pin Number	A3PE3000L Function
E13	IO58NDB1V2
E14	IO58PDB1V2
E15	GBC1/IO79PDB1V4
E16	GBB0/IO80NDB1V4
E17	GNDQ
E18	GBA2/IO82PDB2V0
E19	IO86NDB2V0
E20	GND
E21	IO90NDB2V1
E22	IO98PDB2V2
F1	IO299NPB7V3
F2	IO301NDB7V3
F3	IO301PDB7V3
F4	IO308NDB7V4
F5	IO309NDB7V4
F6	VMV7
F7	V _{CC} PLA
F8	GAC0/IO02NDB0V0
F9	GAC1/IO02PDB0V0
F10	IO32NDB0V3
F11	IO32PDB0V3
F12	IO44PDB1V0
F13	IO50NDB1V1
F14	IO60PDB1V2
F15	GBC0/IO79NDB1V4
F16	V _{CC} PLB
F17	VMV2
F18	IO82NDB2V0
F19	IO86PDB2V0
F20	IO96PDB2V1
F21	IO96NDB2V1
F22	IO98NDB2V2
G1	IO289NDB7V1
G2	IO289PDB7V1
G3	IO291PPB7V2
G4	IO295PDB7V2

484-Pin FBGA	
Pin Number	A3PE3000L Function
G5	IO297PDB7V2
G6	GAC2/IO307PDB7V4
G7	V _{COMPLA}
G8	GNDQ
G9	IO26NDB0V3
G10	IO26PDB0V3
G11	IO36PDB0V4
G12	IO42PDB1V0
G13	IO50PDB1V1
G14	IO60NDB1V2
G15	GNDQ
G16	V _{COMPLB}
G17	GBB2/IO83PDB2V0
G18	IO92PDB2V1
G19	IO92NDB2V1
G20	IO102PDB2V2
G21	IO102NDB2V2
G22	IO105NDB2V2
H1	IO286PSB7V1
H2	IO291NPB7V2
H3	V _{CC}
H4	IO295NDB7V2
H5	IO297NDB7V2
H6	IO307NDB7V4
H7	IO287PDB7V1
H8	VMV0
H9	V _{CC} I B0
H10	V _{CC} I B0
H11	IO36NDB0V4
H12	IO42NDB1V0
H13	V _{CC} I B1
H14	V _{CC} I B1
H15	VMV1
H16	GBC2/IO84PDB2V0
H17	IO83NDB2V0
H18	IO100NDB2V2

484-Pin FBGA	
Pin Number	A3PE3000L Function
H19	IO100PDB2V2
H20	V _{CC}
H21	VMV2
H22	IO105PDB2V2
J1	IO285NDB7V1
J2	IO285PDB7V1
J3	VMV7
J4	IO279PDB7V0
J5	IO283PDB7V1
J6	IO281PDB7V0
J7	IO287NDB7V1
J8	V _{CC} I B7
J9	GND
J10	V _{CC}
J11	V _{CC}
J12	V _{CC}
J13	V _{CC}
J14	GND
J15	V _{CC} I B2
J16	IO84NDB2V0
J17	IO104NDB2V2
J18	IO104PDB2V2
J19	IO106PPB2V3
J20	GNDQ
J21	IO109PDB2V3
J22	IO107PDB2V3
K1	IO277NDB7V0
K2	IO277PDB7V0
K3	GNDQ
K4	IO279NDB7V0
K5	IO283NDB7V1
K6	IO281NDB7V0
K7	GFC1/IO275PPB7V0
K8	V _{CC} I B7
K9	V _{CC}
K10	GND

484-Pin FBGA	
Pin Number	A3PE3000L Function
K11	GND
K12	GND
K13	GND
K14	V _{CC}
K15	V _{CC} I B2
K16	GCC1/IO112PPB2V3
K17	IO108NDB2V3
K18	IO108PDB2V3
K19	IO110NPB2V3
K20	IO106NPB2V3
K21	IO109NDB2V3
K22	IO107NDB2V3
L1	IO257PSB6V2
L2	IO276PDB7V0
L3	IO276NDB7V0
L4	GFB0/IO274NPB7V0
L5	GFA0/IO273NDB6V4
L6	GFB1/IO274PPB7V0
L7	V _{CC} OMPLF
L8	GFC0/IO275NPB7V0
L9	V _{CC}
L10	GND
L11	GND
L12	GND
L13	GND
L14	V _{CC}
L15	GCC0/IO112NPB2V3
L16	GCB1/IO113PPB2V3
L17	GCA0/IO114NPB3V0
L18	V _{CC} OMPLC
L19	GCB0/IO113NPB2V3
L20	IO110PPB2V3
L21	IO111NDB2V3
L22	IO111PDB2V3
M1	GNDQ
M2	IO255NPB6V2

484-Pin FBGA	
Pin Number	A3PE3000L Function
M3	IO272NDB6V4
M4	GFA2/IO272PDB6V4
M5	GFA1/IO273PDB6V4
M6	V _{CC} PLF
M7	IO271NDB6V4
M8	GFB2/IO271PDB6V4
M9	V _{CC}
M10	GND
M11	GND
M12	GND
M13	GND
M14	V _{CC}
M15	GCB2/IO116PPB3V0
M16	GCA1/IO114PPB3V0
M17	GCC2/IO117PPB3V0
M18	V _{CC} PLC
M19	GCA2/IO115PDB3V0
M20	IO115NDB3V0
M21	IO126PDB3V1
M22	IO124PSB3V1
N1	IO255PPB6V2
N2	IO253NDB6V2
N3	VMV6
N4	GFC2/IO270PPB6V4
N5	IO261PPB6V3
N6	IO263PDB6V3
N7	IO263NDB6V3
N8	V _{CC} I B6
N9	V _{CC}
N10	GND
N11	GND
N12	GND
N13	GND
N14	V _{CC}
N15	V _{CC} I B3
N16	IO116NPB3V0

484-Pin FBGA	
Pin Number	A3PE3000L Function
N17	IO132NPB3V2
N18	IO117NPB3V0
N19	IO132PPB3V2
N20	GNDQ
N21	IO126NDB3V1
N22	IO128PDB3V1
P1	IO247PDB6V1
P2	IO253PDB6V2
P3	IO270NPB6V4
P4	IO261NPB6V3
P5	IO249PPB6V1
P6	IO259PDB6V3
P7	IO259NDB6V3
P8	V _{CC} B6
P9	GND
P10	V _{CC}
P11	V _{CC}
P12	V _{CC}
P13	V _{CC}
P14	GND
P15	V _{CC} B3
P16	GDB0/IO152NPB3V4
P17	IO136NDB3V2
P18	IO136PDB3V2
P19	IO138PDB3V3
P20	VMV3
P21	IO130PDB3V2
P22	IO128NDB3V1
R1	IO247NDB6V1
R2	IO245PDB6V1
R3	V _{CC}
R4	IO249NPB6V1
R5	IO251NDB6V2
R6	IO251PDB6V2
R7	GEC0/IO236NPB6V0
R8	VMV5

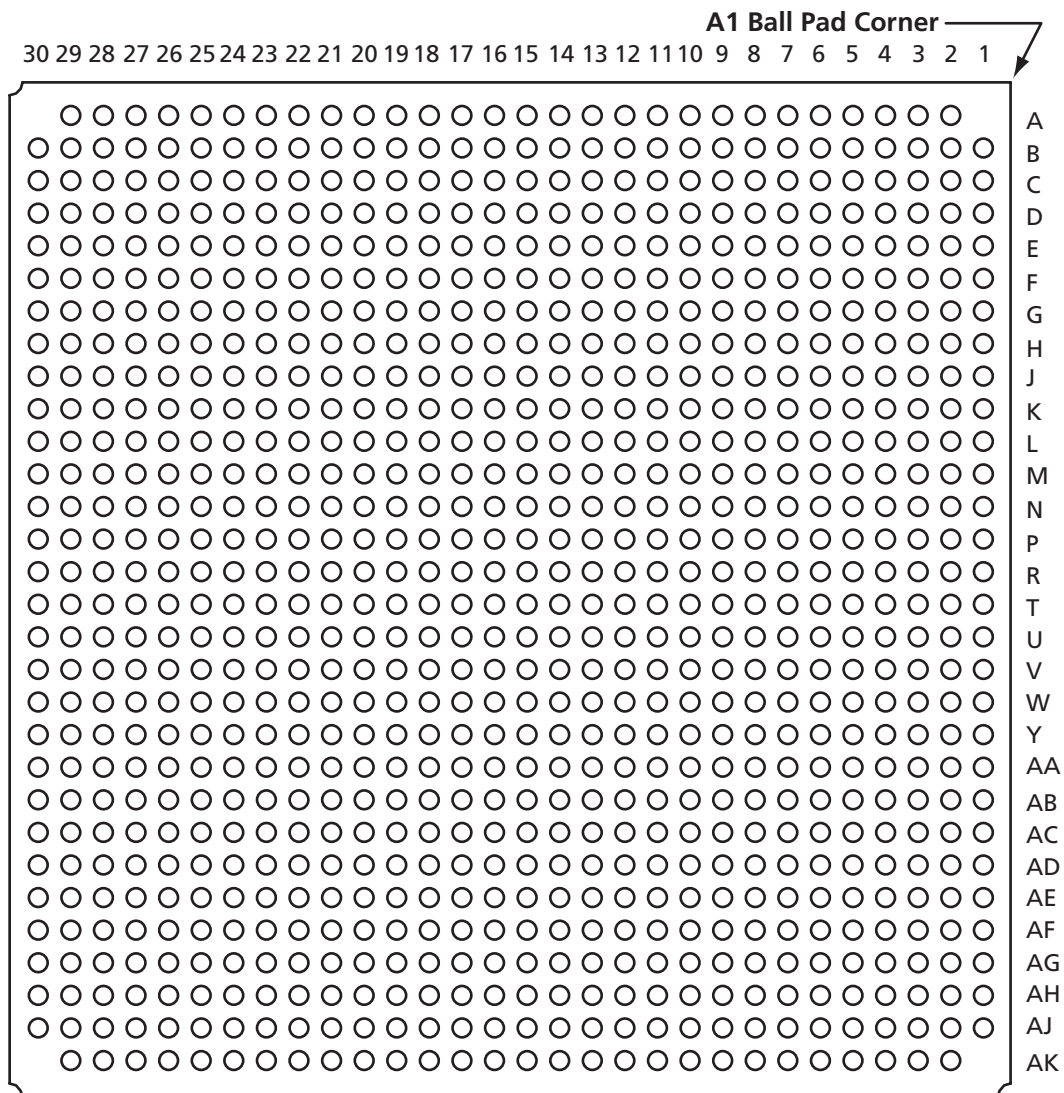
484-Pin FBGA	
Pin Number	A3PE3000L Function
R9	V _{CC} B5
R10	V _{CC} B5
R11	IO196NDB5V0
R12	IO196PDB5V0
R13	V _{CC} B4
R14	V _{CC} B4
R15	VMV3
R16	V _{CC} PLD
R17	GDB1/IO152PPB3V4
R18	GDC1/IO151PDB3V4
R19	IO138NDB3V3
R20	V _{CC}
R21	IO130NDB3V2
R22	IO134PDB3V2
T1	IO243PPB6V1
T2	IO245NDB6V1
T3	IO243NPB6V1
T4	IO241PDB6V0
T5	IO241NDB6V0
T6	GEC1/IO236PPB6V0
T7	V _{COMPLE}
T8	GNDQ
T9	GEA2/IO233PPB5V4
T10	IO206NDB5V1
T11	IO202NDB5V1
T12	IO194NDB5V0
T13	IO186NDB4V4
T14	IO186PDB4V4
T15	GNDQ
T16	V _{COMPLD}
T17	V _{JTAG}
T18	GDC0/IO151NDB3V4
T19	GDA1/IO153PDB3V4
T20	IO144PDB3V3
T21	IO140PDB3V3
T22	IO134NDB3V2

484-Pin FBGA	
Pin Number	A3PE3000L Function
U1	IO240PPB6V0
U2	IO238PDB6V0
U3	IO238NDB6V0
U4	GEB1/IO235PDB6V0
U5	GEB0/IO235NDB6V0
U6	VMV6
U7	V _{CC} PLE
U8	IO233NPB5V4
U9	IO222PPB5V3
U10	IO206PDB5V1
U11	IO202PDB5V1
U12	IO194PDB5V0
U13	IO176NDB4V2
U14	IO176PDB4V2
U15	VMV4
U16	TCK
U17	V _{PUMP}
U18	TRST
U19	GDA0/IO153NDB3V4
U20	IO144NDB3V3
U21	IO140NDB3V3
U22	IO142PDB3V3
V1	IO239PDB6V0
V2	IO240NPB6V0
V3	GND
V4	GEA1/IO234PDB6V0
V5	GEA0/IO234NDB6V0
V6	GNDQ
V7	GEC2/IO231PDB5V4
V8	IO222NPB5V3
V9	IO204NDB5V1
V10	IO204PDB5V1
V11	IO195NDB5V0
V12	IO195PDB5V0
V13	IO178NDB4V3
V14	IO178PDB4V3

484-Pin FBGA	
Pin Number	A3PE3000L Function
V15	IO155NDB4V0
V16	GDB2/IO155PDB4V0
V17	TDI
V18	GNDQ
V19	TDO
V20	GND
V21	IO146PDB3V4
V22	IO142NDB3V3
W1	IO239NDB6V0
W2	IO237PDB6V0
W3	IO230PSB5V4
W4	GND
W5	IO232NDB5V4
W6	FF/GEB2/IO232PDB5 V4
W7	IO231NDB5V4
W8	IO214NDB5V2
W9	IO214PDB5V2
W10	IO200NDB5V0
W11	IO192NDB4V4
W12	IO184NDB4V3
W13	IO184PDB4V3
W14	IO156NDB4V0
W15	GDC2/IO156PDB4V0
W16	IO154NDB4V0
W17	GDA2/IO154PDB4V0
W18	TMS
W19	GND
W20	IO150NDB3V4
W21	IO146NDB3V4
W22	IO148PPB3V4
Y1	V _{CC} I B6
Y2	IO237NDB6V0
Y3	IO228NDB5V4
Y4	IO224NDB5V3
Y5	GND

484-Pin FBGA	
Pin Number	A3PE3000L Function
Y6	IO220NDB5V3
Y7	IO220PDB5V3
Y8	V _{CC}
Y9	V _{CC}
Y10	IO200PDB5V0
Y11	IO192PDB4V4
Y12	IO188NPB4V4
Y13	IO187PSB4V4
Y14	V _{CC}
Y15	V _{CC}
Y16	IO164NDB4V1
Y17	IO164PDB4V1
Y18	GND
Y19	IO158PPB4V0
Y20	IO150PDB3V4
Y21	IO148NPB3V4
Y22	V _{CC} I B3

896-Pin FBGA



Note: This is the bottom view.

Figure 4 •

Note

For Package Manufacturing and Environmental information, visit the Resource Center at <http://www.actel.com/products/solutions/package/docs.aspx>.

896-Pin FBGA	
Pin Number	A3PE3000L Function
A2	GND
A3	GND
A4	IO14NPB0V1
A5	GND
A6	IO07NPB0V0
A7	GND
A8	IO09NDB0V1
A9	IO17NDB0V2
A10	IO17PDB0V2
A11	IO21NDB0V2
A12	IO21PDB0V2
A13	IO33NDB0V4
A14	IO33PDB0V4
A15	IO35NDB0V4
A16	IO35PDB0V4
A17	IO41NDB1V0
A18	IO43NDB1V0
A19	IO43PDB1V0
A20	IO45NDB1V0
A21	IO45PDB1V0
A22	IO57NDB1V2
A23	IO57PDB1V2
A24	GND
A25	IO69PPB1V3
A26	GND
A27	GBC1/IO79PPB1V4
A28	GND
A29	GND
AA1	IO256PDB6V2
AA2	IO248PDB6V1
AA3	IO248NDB6V1
AA4	IO246NDB6V1
AA5	GEA1/IO234PDB6V0
AA6	GEA0/IO234NDB6V0
AA7	IO243PPB6V1
AA8	IO245NDB6V1

896-Pin FBGA	
Pin Number	A3PE3000L Function
AA9	GEB1/IO235PPB6V0
AA10	V _{CC}
AA11	IO226PPB5V4
AA12	V _{CC} B5
AA13	V _{CC} B5
AA14	V _{CC} B5
AA15	V _{CC} B5
AA16	V _{CC} B4
AA17	V _{CC} B4
AA18	V _{CC} B4
AA19	V _{CC} B4
AA20	IO174PDB4V2
AA21	V _{CC}
AA22	IO142NPB3V3
AA23	IO144NDB3V3
AA24	IO144PDB3V3
AA25	IO146NDB3V4
AA26	IO146PDB3V4
AA27	IO147PDB3V4
AA28	IO139NDB3V3
AA29	IO139PDB3V3
AA30	IO133NDB3V2
AB1	IO256NDB6V2
AB2	IO244PDB6V1
AB3	IO244NDB6V1
AB4	IO241PDB6V0
AB5	IO241NDB6V0
AB6	IO243NPB6V1
AB7	V _{CC} B6
AB8	V _{CC} PLE
AB9	V _{CC}
AB10	IO222PDB5V3
AB11	IO218PPB5V3
AB12	IO206NDB5V1
AB13	IO206PDB5V1
AB14	IO198NDB5V0

896-Pin FBGA	
Pin Number	A3PE3000L Function
AB15	IO198PDB5V0
AB16	IO192NDB4V4
AB17	IO192PDB4V4
AB18	IO178NDB4V3
AB19	IO178PDB4V3
AB20	IO174NDB4V2
AB21	IO162NPB4V1
AB22	V _{CC}
AB23	V _{CC} PLD
AB24	V _{CC} B3
AB25	IO150PDB3V4
AB26	IO148PDB3V4
AB27	IO147NDB3V4
AB28	IO145PDB3V3
AB29	IO143PDB3V3
AB30	IO137PDB3V2
AC1	IO254PDB6V2
AC2	IO254NDB6V2
AC3	IO240PDB6V0
AC4	GEC1/IO236PDB6V0
AC5	IO237PDB6V0
AC6	IO237NDB6V0
AC7	V _{CC} OMPLE
AC8	GND
AC9	IO226NPB5V4
AC10	IO222NDB5V3
AC11	IO216NPB5V2
AC12	IO210NPB5V2
AC13	IO204NDB5V1
AC14	IO204PDB5V1
AC15	IO194NDB5V0
AC16	IO188NDB4V4
AC17	IO188PDB4V4
AC18	IO182PPB4V3
AC19	IO170NPB4V2
AC20	IO164NDB4V1

896-Pin FBGA	
Pin Number	A3PE3000L Function
AC21	IO164PDB4V1
AC22	IO162PPB4V1
AC23	GND
AC24	V _{COMPLD}
AC25	IO150NDB3V4
AC26	IO148NDB3V4
AC27	GDA1/IO153PDB3V4
AC28	IO145NDB3V3
AC29	IO143NDB3V3
AC30	IO137NDB3V2
AD1	GND
AD2	IO242NPB6V1
AD3	IO240NDB6V0
AD4	GEC0/IO236NDB6V0
AD5	V _{CCI} B6
AD6	GNDQ
AD6	GNDQ
AD7	V _{CC}
AD8	VMV5
AD9	V _{CCI} B5
AD10	IO224PPB5V3
AD11	IO218NPB5V3
AD12	IO216PPB5V2
AD13	IO210PPB5V2
AD14	IO202PPB5V1
AD15	IO194PDB5V0
AD16	IO190PDB4V4
AD17	IO182NPB4V3
AD18	IO176NDB4V2
AD19	IO176PDB4V2
AD20	IO170PPB4V2
AD21	IO166PDB4V1
AD22	V _{CCI} B4
AD23	TCK
AD24	V _{CC}
AD25	TRST

896-Pin FBGA	
Pin Number	A3PE3000L Function
AD26	V _{CCI} B3
AD27	GDA0/IO153NDB3V4
AD28	GDC0/IO151NDB3V4
AD29	GDC1/IO151PDB3V4
AD30	GND
AE1	IO242PPB6V1
AE2	V _{CC}
AE3	IO239PDB6V0
AE4	IO239NDB6V0
AE5	VMV6
AE5	VMV6
AE6	GND
AE7	GNDQ
AE8	IO230NDB5V4
AE9	IO224NPB5V3
AE10	IO214NPB5V2
AE11	IO212NDB5V2
AE12	IO212PDB5V2
AE13	IO202NPB5V1
AE14	IO200NDB5V0
AE15	IO196PDB5V0
AE16	IO190NDB4V4
AE17	IO184PDB4V3
AE18	IO184NDB4V3
AE19	IO172PDB4V2
AE20	IO172NDB4V2
AE21	IO166NDB4V1
AE22	IO160PDB4V0
AE23	GNDQ
AE24	VMV4
AE25	GND
AE26	GDB0/IO152NDB3V4
AE27	GDB1/IO152PDB3V4
AE28	VMV3
AE28	VMV3
AE29	V _{CC}

896-Pin FBGA	
Pin Number	A3PE3000L Function
AE30	IO149PDB3V4
AF1	GND
AF2	IO238PPB6V0
AF3	V _{CCI} B6
AF4	IO220NPB5V3
AF5	V _{CC}
AF6	IO228NDB5V4
AF7	V _{CCI} B5
AF8	IO230PDB5V4
AF9	IO229NDB5V4
AF10	IO229PDB5V4
AF11	IO214PPB5V2
AF12	IO208NDB5V1
AF13	IO208PDB5V1
AF14	IO200PDB5V0
AF15	IO196NDB5V0
AF16	IO186NDB4V4
AF17	IO186PDB4V4
AF18	IO180NDB4V3
AF19	IO180PDB4V3
AF20	IO168NDB4V1
AF21	IO168PDB4V1
AF22	IO160NDB4V0
AF23	IO158NPB4V0
AF24	V _{CCI} B4
AF25	IO154NPB4V0
AF26	V _{CC}
AF27	TDO
AF28	V _{CCI} B3
AF29	GNDQ
AF29	GNDQ
AF30	GND
AG1	IO238NPB6V0
AG2	V _{CC}
AG3	IO232NPB5V4
AG4	GND



896-Pin FBGA	
Pin Number	A3PE3000L Function
AG5	IO220PPB5V3
AG6	IO228PDB5V4
AG7	IO231NDB5V4
AG8	GEC2/IO231PDB5V4
AG9	IO225NPB5V3
AG10	IO223NPB5V3
AG11	IO221PDB5V3
AG12	IO221NDB5V3
AG13	IO205NPB5V1
AG14	IO199NDB5V0
AG15	IO199PDB5V0
AG16	IO187NDB4V4
AG17	IO187PDB4V4
AG18	IO181NDB4V3
AG19	IO171PPB4V2
AG20	IO165NPB4V1
AG21	IO161NPB4V0
AG22	IO159NDB4V0
AG23	IO159PDB4V0
AG24	IO158PPB4V0
AG25	GDB2/IO155PDB4V0
AG26	GDA2/IO154PPB4V0
AG27	GND
AG28	V _{JTAG}
AG29	V _{CC}
AG30	IO149NDB3V4
AH1	GND
AH2	IO233NPB5V4
AH3	V _{CC}
AH4	FF/GEB2/IO232PPB5V4
AH5	V _{CC} B5
AH6	IO219NDB5V3
AH7	IO219PDB5V3
AH8	IO227NDB5V4
AH9	IO227PDB5V4

896-Pin FBGA	
Pin Number	A3PE3000L Function
AH10	IO225PPB5V3
AH11	IO223PPB5V3
AH12	IO211NDB5V2
AH13	IO211PDB5V2
AH14	IO205PPB5V1
AH15	IO195NDB5V0
AH16	IO185NDB4V3
AH17	IO185PDB4V3
AH18	IO181PDB4V3
AH19	IO177NDB4V2
AH20	IO171NPB4V2
AH21	IO165PPB4V1
AH22	IO161PPB4V0
AH23	IO157NDB4V0
AH24	IO157PDB4V0
AH25	IO155NDB4V0
AH26	V _{CC} B4
AH27	TDI
AH28	V _{CC}
AH29	V _{PUMP}
AH30	GND
AJ1	GND
AJ2	GND
AJ3	GEA2/IO233PPB5V4
AJ4	V _{CC}
AJ5	IO217NPB5V2
AJ6	V _{CC}
AJ7	IO215NPB5V2
AJ8	IO213NDB5V2
AJ9	IO213PDB5V2
AJ10	IO209NDB5V1
AJ11	IO209PDB5V1
AJ12	IO203NDB5V1
AJ13	IO203PDB5V1
AJ14	IO197NDB5V0
AJ15	IO195PDB5V0

896-Pin FBGA	
Pin Number	A3PE3000L Function
AJ16	IO183NDB4V3
AJ17	IO183PDB4V3
AJ18	IO179NPB4V3
AJ19	IO177PDB4V2
AJ20	IO173NDB4V2
AJ21	IO173PDB4V2
AJ22	IO163NDB4V1
AJ23	IO163PDB4V1
AJ24	IO167NPB4V1
AJ25	V _{CC}
AJ26	IO156NPB4V0
AJ27	V _{CC}
AJ28	TMS
AJ29	GND
AJ30	GND
AK2	GND
AK3	GND
AK4	IO217PPB5V2
AK5	GND
AK6	IO215PPB5V2
AK7	GND
AK8	IO207NDB5V1
AK9	IO207PDB5V1
AK10	IO201NDB5V0
AK11	IO201PDB5V0
AK12	IO193NDB4V4
AK13	IO193PDB4V4
AK14	IO197PDB5V0
AK15	IO191NDB4V4
AK16	IO191PDB4V4
AK17	IO189NDB4V4
AK18	IO189PDB4V4
AK19	IO179PPB4V3
AK20	IO175NDB4V2
AK21	IO175PDB4V2
AK22	IO169NDB4V1

896-Pin FBGA	
Pin Number	A3PE3000L Function
AK23	IO169PDB4V1
AK24	GND
AK25	IO167PPB4V1
AK26	GND
AK27	GDC2/IO156PPB4V0
AK28	GND
AK29	GND
B1	GND
B2	GND
B3	GAA2/IO309PPB7V4
B4	V _{CC}
B5	IO14PPB0V1
B6	V _{CC}
B7	IO07PPB0V0
B8	IO09PDB0V1
B9	IO15PPB0V1
B10	IO19NDB0V2
B11	IO19PDB0V2
B12	IO29NDB0V3
B13	IO29PDB0V3
B14	IO31PPB0V3
B15	IO37NDB0V4
B16	IO37PDB0V4
B17	IO41PDB1V0
B18	IO51NDB1V1
B19	IO59PDB1V2
B20	IO53PDB1V1
B21	IO53NDB1V1
B22	IO61NDB1V2
B23	IO61PDB1V2
B24	IO69NPB1V3
B25	V _{CC}
B26	GBC0/IO79NPB1V4
B27	V _{CC}
B28	IO64NPB1V2
B29	GND

896-Pin FBGA	
Pin Number	A3PE3000L Function
B30	GND
C1	GND
C2	IO309NPB7V4
C3	V _{CC}
C4	GAA0/IO00NPB0V0
C5	V _{CC} B0
C6	IO03PDB0V0
C7	IO03NDB0V0
C8	GAB1/IO01PDB0V0
C9	IO05PDB0V0
C10	IO15NPB0V1
C11	IO25NDB0V3
C12	IO25PDB0V3
C13	IO31NPB0V3
C14	IO27NDB0V3
C15	IO39NDB0V4
C16	IO39PDB0V4
C17	IO55PPB1V1
C18	IO51PDB1V1
C19	IO59NDB1V2
C20	IO63NDB1V2
C21	IO63PDB1V2
C22	IO67NDB1V3
C23	IO67PDB1V3
C24	IO75NDB1V4
C25	IO75PDB1V4
C26	V _{CC} B1
C27	IO64PPB1V2
C28	V _{CC}
C29	GBA1/IO81PPB1V4
C30	GND
D1	IO303PPB7V3
D2	V _{CC}
D3	IO305NPB7V3
D4	GND
D5	GAA1/IO00PPB0V0

896-Pin FBGA	
Pin Number	A3PE3000L Function
D6	GAC1/IO02PDB0V0
D7	IO06NPB0V0
D8	GAB0/IO01NDB0V0
D9	IO05NDB0V0
D10	IO11NDB0V1
D11	IO11PDB0V1
D12	IO23NDB0V2
D13	IO23PDB0V2
D14	IO27PDB0V3
D15	IO40PDB0V4
D16	IO47NDB1V0
D17	IO47PDB1V0
D18	IO55NPB1V1
D19	IO65NDB1V3
D20	IO65PDB1V3
D21	IO71NDB1V3
D22	IO71PDB1V3
D23	IO73NDB1V4
D24	IO73PDB1V4
D25	IO74NDB1V4
D26	GBB0/IO80NPB1V4
D27	GND
D28	GBA0/IO81NPB1V4
D29	V _{CC}
D30	GBA2/IO82PPB2V0
E1	GND
E2	IO303NPB7V3
E3	V _{CC} B7
E4	IO305PPB7V3
E5	V _{CC}
E6	GAC0/IO02NDB0V0
E7	V _{CC} B0
E8	IO06PPB0V0
E9	IO24NDB0V2
E10	IO24PDB0V2
E11	IO13NDB0V1

896-Pin FBGA	
Pin Number	A3PE3000L Function
E12	IO13PDB0V1
E13	IO34NDB0V4
E14	IO34PDB0V4
E15	IO40NDB0V4
E16	IO49NDB1V1
E17	IO49PDB1V1
E18	IO50PDB1V1
E19	IO58PDB1V2
E20	IO60NDB1V2
E21	IO77PDB1V4
E22	IO68NDB1V3
E23	IO68PDB1V3
E24	V _{CC} B1
E25	IO74PDB1V4
E26	V _{CC}
E27	GBB1/IO80PPB1V4
E28	V _{CC} B2
E29	IO82NPB2V0
E30	GND
F1	IO296PPB7V2
F2	V _{CC}
F3	IO306PDB7V4
F4	IO297PDB7V2
F5	VMV7
F5	VMV7
F6	GND
F7	GNDQ
F8	IO12NDB0V1
F9	IO12PDB0V1
F10	IO10PDB0V1
F11	IO16PDB0V1
F12	IO22NDB0V2
F13	IO30NDB0V3
F14	IO30PDB0V3
F15	IO36PDB0V4
F16	IO48NDB1V0

896-Pin FBGA	
Pin Number	A3PE3000L Function
F17	IO48PDB1V0
F18	IO50NDB1V1
F19	IO58NDB1V2
F20	IO60PDB1V2
F21	IO77NDB1V4
F22	IO72NDB1V3
F23	IO72PDB1V3
F24	GNDQ
F25	GND
F26	VMV2
F26	VMV2
F27	IO86PDB2V0
F28	IO92PDB2V1
F29	V _{CC}
F30	IO100NPB2V2
G1	GND
G2	IO296NPB7V2
G3	IO306NDB7V4
G4	IO297NDB7V2
G5	V _{CC} B7
G6	GNDQ
G6	GNDQ
G7	V _{CC}
G8	VMV0
G9	V _{CC} B0
G10	IO10NDB0V1
G11	IO16NDB0V1
G12	IO22PDB0V2
G13	IO26PPB0V3
G14	IO38NPB0V4
G15	IO36NDB0V4
G16	IO46NDB1V0
G17	IO46PDB1V0
G18	IO56NDB1V1
G19	IO56PDB1V1
G20	IO66NDB1V3

896-Pin FBGA	
Pin Number	A3PE3000L Function
G21	IO66PDB1V3
G22	V _{CC} B1
G23	VMV1
G24	V _{CC}
G25	GNDQ
G25	GNDQ
G26	V _{CC} B2
G27	IO86NDB2V0
G28	IO92NDB2V1
G29	IO100PPB2V2
G30	GND
H1	IO294PDB7V2
H2	IO294NDB7V2
H3	IO300NDB7V3
H4	IO300PDB7V3
H5	IO295PDB7V2
H6	IO299PDB7V3
H7	V _{COMPLA}
H8	GND
H9	IO08NDB0V0
H10	IO08PDB0V0
H11	IO18PDB0V2
H12	IO26NPB0V3
H13	IO28NDB0V3
H14	IO28PDB0V3
H15	IO38PPB0V4
H16	IO42NDB1V0
H17	IO52NDB1V1
H18	IO52PDB1V1
H19	IO62NDB1V2
H20	IO62PDB1V2
H21	IO70NDB1V3
H22	IO70PDB1V3
H23	GND
H24	V _{COMPLB}
H25	GBC2/IO84PDB2V0

896-Pin FBGA	
Pin Number	A3PE3000L Function
H26	IO84NDB2V0
H27	IO96PDB2V1
H28	IO96NDB2V1
H29	IO89PDB2V0
H30	IO89NDB2V0
J1	IO290NDB7V2
J2	IO290PDB7V2
J3	IO302NDB7V3
J4	IO302PDB7V3
J5	IO295NDB7V2
J6	IO299NDB7V3
J7	V _{CC} B7
J8	V _{CC} PLA
J9	V _{CC}
J10	IO04NPB0V0
J11	IO18NDB0V2
J12	IO20NDB0V2
J13	IO20PDB0V2
J14	IO32NDB0V3
J15	IO32PDB0V3
J16	IO42PDB1V0
J17	IO44NDB1V0
J18	IO44PDB1V0
J19	IO54NDB1V1
J20	IO54PDB1V1
J21	IO76NPB1V4
J22	V _{CC}
J23	V _{CC} PLB
J24	V _{CC} B2
J25	IO90PDB2V1
J26	IO90NDB2V1
J27	GBB2/IO83PDB2V0
J28	IO83NDB2V0
J29	IO91PDB2V1
J30	IO91NDB2V1
K1	IO288NDB7V1

896-Pin FBGA	
Pin Number	A3PE3000L Function
K2	IO288PDB7V1
K3	IO304NDB7V3
K4	IO304PDB7V3
K5	GAB2/IO308PDB7V4
K6	IO308NDB7V4
K7	IO301PDB7V3
K8	IO301NDB7V3
K9	GAC2/IO307PPB7V4
K10	V _{CC}
K11	IO04PPB0V0
K12	V _{CC} B0
K13	V _{CC} B0
K14	V _{CC} B0
K15	V _{CC} B0
K16	V _{CC} B1
K17	V _{CC} B1
K18	V _{CC} B1
K19	V _{CC} B1
K20	IO76PPB1V4
K21	V _{CC}
K22	IO78PPB1V4
K23	IO88NDB2V0
K24	IO88PDB2V0
K25	IO94PDB2V1
K26	IO94NDB2V1
K27	IO85PDB2V0
K28	IO85NDB2V0
K29	IO93PDB2V1
K30	IO93NDB2V1
L1	IO286NDB7V1
L2	IO286PDB7V1
L3	IO298NDB7V3
L4	IO298PDB7V3
L5	IO283PDB7V1
L6	IO291NDB7V2
L7	IO291PDB7V2

896-Pin FBGA	
Pin Number	A3PE3000L Function
L8	IO293PDB7V2
L9	IO293NDB7V2
L10	IO307NPB7V4
L11	V _{CC}
L12	V _{CC}
L13	V _{CC}
L14	V _{CC}
L15	V _{CC}
L16	V _{CC}
L17	V _{CC}
L18	V _{CC}
L19	V _{CC}
L20	V _{CC}
L21	IO78NPB1V4
L22	IO104NPB2V2
L23	IO98NDB2V2
L24	IO98PDB2V2
L25	IO87PDB2V0
L26	IO87NDB2V0
L27	IO97PDB2V1
L28	IO101PDB2V2
L29	IO103PDB2V2
L30	IO119NDB3V0
M1	IO282NDB7V1
M2	IO282PDB7V1
M3	IO292NDB7V2
M4	IO292PDB7V2
M5	IO283NDB7V1
M6	IO285PDB7V1
M7	IO287PDB7V1
M8	IO289PDB7V1
M9	IO289NDB7V1
M10	V _{CC} B7
M11	V _{CC}
M12	GND
M13	GND

896-Pin FBGA	
Pin Number	A3PE3000L Function
M14	GND
M15	GND
M16	GND
M17	GND
M18	GND
M19	GND
M20	V _{CC}
M21	V _{CCI} B2
M22	NC
M23	IO104PPB2V2
M24	IO102PDB2V2
M25	IO102NDB2V2
M26	IO95PDB2V1
M27	IO97NDB2V1
M28	IO101NDB2V2
M29	IO103NDB2V2
M30	IO119PDB3V0
N1	IO276PDB7V0
N2	IO278PDB7V0
N3	IO280PDB7V0
N4	IO284PDB7V1
N5	IO279PDB7V0
N6	IO285NDB7V1
N7	IO287NDB7V1
N8	IO281NDB7V0
N9	IO281PDB7V0
N10	V _{CCI} B7
N11	V _{CC}
N12	GND
N13	GND
N14	GND
N15	GND
N16	GND
N17	GND
N18	GND
N19	GND

896-Pin FBGA	
Pin Number	A3PE3000L Function
N20	V _{CC}
N21	V _{CCI} B2
N22	IO106NDB2V3
N23	IO106PDB2V3
N24	IO108PDB2V3
N25	IO108NDB2V3
N26	IO95NDB2V1
N27	IO99NDB2V2
N28	IO99PDB2V2
N29	IO107PDB2V3
N30	IO107NDB2V3
P1	IO276NDB7V0
P2	IO278NDB7V0
P3	IO280NDB7V0
P4	IO284NDB7V1
P5	IO279NDB7V0
P6	GFC1/IO275PDB7V0
P7	GFC0/IO275NDB7V0
P8	IO277PDB7V0
P9	IO277NDB7V0
P10	V _{CCI} B7
P11	V _{CC}
P12	GND
P13	GND
P14	GND
P15	GND
P16	GND
P17	GND
P18	GND
P19	GND
P20	V _{CC}
P21	V _{CCI} B2
P22	GCC1/IO112PDB2V3
P23	IO110PDB2V3
P24	IO110NDB2V3
P25	IO109PPB2V3

896-Pin FBGA	
Pin Number	A3PE3000L Function
P26	IO111NPB2V3
P27	IO105PDB2V2
P28	IO105NDB2V2
P29	GCC2/IO117PDB3V0
P30	IO117NDB3V0
R1	GFC2/IO270PDB6V4
R2	GFB1/IO274PPB7V0
R3	V _{COMPLF}
R4	GFA0/IO273NDB6V4
R5	GFB0/IO274NPB7V0
R6	IO271NDB6V4
R7	GFB2/IO271PDB6V4
R8	IO269PDB6V4
R9	IO269NDB6V4
R10	V _{CCI} B7
R11	V _{CC}
R12	GND
R13	GND
R14	GND
R15	GND
R16	GND
R17	GND
R18	GND
R19	GND
R20	V _{CC}
R21	V _{CCI} B2
R22	GCC0/IO112NDB2V3
R23	GCB2/IO116PDB3V0
R24	IO118PDB3V0
R25	IO111PPB2V3
R26	IO122PPB3V1
R27	GCA0/IO114NPB3V0
R28	V _{COMPLC}
R29	GCB1/IO113PPB2V3
R30	IO115NPB3V0
T1	IO270NDB6V4

896-Pin FBGA	
Pin Number	A3PE3000L Function
T2	V _{CCPLF}
T3	GFA2/IO272PPB6V4
T4	GFA1/IO273PDB6V4
T5	IO272NPB6V4
T6	IO267NDB6V4
T7	IO267PDB6V4
T8	IO265PDB6V3
T9	IO263PDB6V3
T10	V _{CCIB6}
T11	V _{CC}
T12	GND
T13	GND
T14	GND
T15	GND
T16	GND
T17	GND
T18	GND
T19	GND
T20	V _{CC}
T21	V _{CCIB3}
T22	IO109NPB2V3
T23	IO116NDB3V0
T24	IO118NDB3V0
T25	IO122NPB3V1
T26	GCA1/IO114PPB3V0
T27	GCB0/IO113NPB2V3
T28	GCA2/IO115PPB3V0
T29	V _{CCPLC}
T30	IO121PDB3V0
U1	IO268PDB6V4
U2	IO264NDB6V3
U3	IO264PDB6V3
U4	IO258PDB6V3
U5	IO258NDB6V3
U6	IO257PPB6V2
U7	IO261PPB6V3

896-Pin FBGA	
Pin Number	A3PE3000L Function
U8	IO265NDB6V3
U9	IO263NDB6V3
U10	V _{CCIB6}
U11	V _{CC}
U12	GND
U13	GND
U14	GND
U15	GND
U16	GND
U17	GND
U18	GND
U19	GND
U20	V _{CC}
U21	V _{CCIB3}
U22	IO120PDB3V0
U23	IO128PDB3V1
U24	IO124PDB3V1
U25	IO124NDB3V1
U26	IO126PDB3V1
U27	IO129PDB3V1
U28	IO127PDB3V1
U29	IO125PDB3V1
U30	IO121NDB3V0
V1	IO268NDB6V4
V2	IO262PDB6V3
V3	IO260PDB6V3
V4	IO252PDB6V2
V5	IO257NPB6V2
V6	IO261NPB6V3
V7	IO255PDB6V2
V8	IO259PDB6V3
V9	IO259NDB6V3
V10	V _{CCIB6}
V11	V _{CC}
V12	GND
V13	GND

896-Pin FBGA	
Pin Number	A3PE3000L Function
V14	GND
V15	GND
V16	GND
V17	GND
V18	GND
V19	GND
V20	V _{CC}
V21	V _{CCIB3}
V22	IO120NDB3V0
V23	IO128NDB3V1
V24	IO132PDB3V2
V25	IO130PPB3V2
V26	IO126NDB3V1
V27	IO129NDB3V1
V28	IO127NDB3V1
V29	IO125NDB3V1
V30	IO123PDB3V1
W1	IO266NDB6V4
W2	IO262NDB6V3
W3	IO260NDB6V3
W4	IO252NDB6V2
W5	IO251NDB6V2
W6	IO251PDB6V2
W7	IO255NDB6V2
W8	IO249PPB6V1
W9	IO253PDB6V2
W10	V _{CCIB6}
W11	V _{CC}
W12	GND
W13	GND
W14	GND
W15	GND
W16	GND
W17	GND
W18	GND
W19	GND



896-Pin FBGA	
Pin Number	A3PE3000L Function
W20	V _{CC}
W21	V _{CCI} B3
W22	IO134PDB3V2
W23	IO138PDB3V3
W24	IO132NDB3V2
W25	IO136NPB3V2
W26	IO130NPB3V2
W27	IO141PDB3V3
W28	IO135PDB3V2
W29	IO131PDB3V2
W30	IO123NDB3V1
Y1	IO266PDB6V4
Y2	IO250PDB6V2
Y3	IO250NDB6V2
Y4	IO246PDB6V1
Y5	IO247NDB6V1
Y6	IO247PDB6V1
Y7	IO249NPB6V1
Y8	IO245PDB6V1
Y9	IO253NDB6V2
Y10	GEB0/IO235NPB6V0
Y11	V _{CC}
Y12	V _{CC}
Y13	V _{CC}
Y14	V _{CC}
Y15	V _{CC}
Y16	V _{CC}
Y17	V _{CC}
Y18	V _{CC}
Y19	V _{CC}
Y20	V _{CC}
Y21	IO142PPB3V3
Y22	IO134NDB3V2
Y23	IO138NDB3V3
Y24	IO140NDB3V3
Y25	IO140PDB3V3

896-Pin FBGA	
Pin Number	A3PE3000L Function
Y26	IO136PPB3V2
Y27	IO141NDB3V3
Y28	IO135NDB3V2
Y29	IO131NDB3V2
Y30	IO133PDB3V2

Part Number and Revision Date

Part Number 51700106-003-0
Revised August 2008

Datasheet Categories

Categories

In order to provide the latest information to designers, some datasheets are published before data has been fully characterized. Datasheets are designated as "Product Brief," "Advanced," and "Production". The definition of these categories are as follows:

Product Brief

The product brief is a summarized version of a datasheet (advanced or production) and contains general product information. This document gives an overview of specific device and family information.

Advanced

This version contains initial estimated information based on simulation, other products, devices, or speed grades. This information can be used as estimates, but not for production. This label only applies to the DC and Switching Characteristics chapter of the datasheet and will only be used when the data has not been fully characterized.

Unmarked (production)

This version contains information that is considered to be final.

Export Administration Regulations (EAR)

The products described in this document are subject to the Export Administration Regulations (EAR). They could require an approved export license prior to export from the United States. An export includes release of product or disclosure of technology to a foreign national inside or outside the United States.

Actel Safety Critical, Life Support, and High-Reliability Applications Policy

The Actel products described in this advanced status document may not have completed Actel's qualification process. Actel may amend or enhance products during the product introduction and qualification process, resulting in changes in device functionality or performance. It is the responsibility of each customer to ensure the fitness of any Actel product (but especially a new product) for a particular purpose, including appropriateness for safety-critical, life-support, and other high-reliability applications. Consult Actel's Terms and Conditions for specific liability exclusions relating to life-support applications. A reliability report covering all of Actel's products is available on the Actel website at http://www.actel.com/documents/ORT_Report.pdf. Actel also offers a variety of enhanced qualification and lot acceptance screening procedures. Contact your local Actel sales office for additional reliability information.



Actel and the Actel logo are registered trademarks of Actel Corporation.
All other trademarks are the property of their owners.



www.actel.com

Actel Corporation

2061 Stierlin Court
Mountain View, CA
94043-4655 USA

Phone 650.318.4200

Fax 650.318.4600

Actel Europe Ltd.

River Court, Meadows Business Park
Station Approach, Blackwater
Camberley Surrey GU17 9AB
United Kingdom

Phone +44 (0) 1276 609 300

Fax +44 (0) 1276 607 540

Actel Japan

EXOS Ebisu Building 4F
1-24-14 Ebisu Shibuya-ku
Tokyo 150 Japan

Phone +81.03.3445.7671

Fax +81.03.3445.7668

<http://jp.actel.com>

Actel Hong Kong

Room 2107, China Resources Building
26 Harbour Road
Wanchai, Hong Kong

Phone +852 2185 6460

Fax +852 2185 6488

www.actel.com.cn

51700106-005-0/8.08

