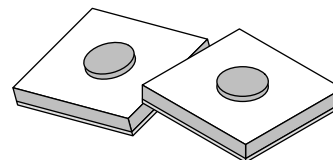


Features

- Established Skyworks' PIN Diode Process
- For Switch and Attenuator Applications
- Low Capacitance Designs to 0.05 pF
- Voltage Ratings to 200 V
- Chip Size Smaller than 15 Mils Square



Description

Skyworks' APD Series of silicon PIN diode chips are designed for use as switch and attenuator devices in high performance hybrid microwave integrated circuits. These PIN diode designs are useful over a wide range of frequencies from below 100 MHz to beyond 30 GHz. These devices utilize Skyworks' well established silicon technology resulting in high resistivity and tightly controlled I region width PIN diodes. APD0505-00 through APD1510-000 are primarily designed for fast speed through moderate speed switch applications. They have low resistance and capacitance at zero bias and reverse bias. The thick I region APD2220-000 is primarily designed for low distortion attenuator applications.

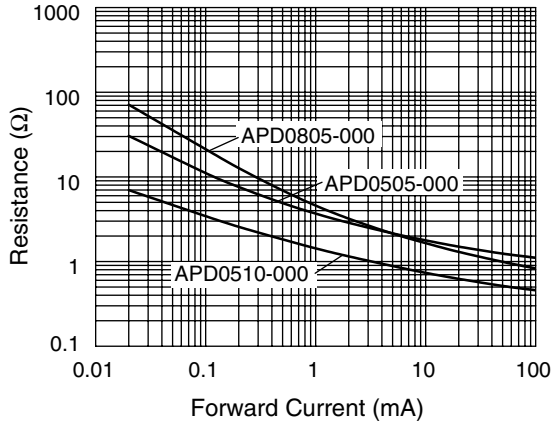
Absolute Maximum Ratings

Characteristic	Value
Power Dissipation	$P_{diss} = \frac{175 - T_{amb}}{\theta} \text{ W}$
Operating Temperature	-65°C to +175°C
Storage Temperature	-65°C to +200°C

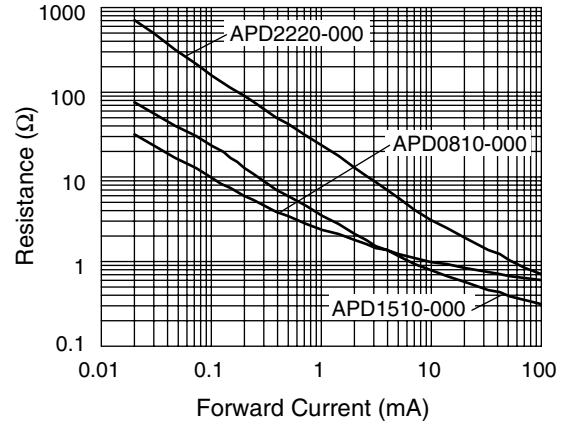
Electrical Specifications at 25°C

Part Number	Capacitance $V_R = 50 \text{ V}$, 1 MHz (pF)	Capacitance $V_R = 0 \text{ V}$, 1 MHz (pF)	R_S $I = 10 \text{ mA}$, 500 MHz (Ω)	TL $I = 10 \text{ mA}$ (ns)	Voltage Rating $I_R = 10 \mu\text{A}$ (V)	I Region (μM)	Thermal Resistance (Cc/W)	Contact Diameter (Mils)	Outline Drawing
	Max.	Typ.	Max.	Typ.	Min.	Nom.	Max.	Nom.	
Switching Applications									
APD0505-000	0.05	0.10	2.0	20	50	5	100	1.5	150-806
APD0510-000	0.10	0.20	1.5	40	50	5	80	2.5	150-801
APD0520-000	0.20	0.25	1.0	50	50	5	80	3.5	150-801
APD0805-000	0.05	0.10	2.0	100	100	8	80	2.0	150-801
APD0810-000	0.10	0.15	1.5	160	100	8	60	3.0	150-801
APD1510-000	0.10	0.20	2.0	300	200	15	60	3.0	150-801
APD1520-000	0.20	0.25	1.2	400	200	15	30	4.0	150-802
Attenuator Applications									
APD2220-000	0.20	0.20	4.0	700	100	50	80	7.5	149-815

Typical Performance Data



Resistance vs. Forward Current @ 1 GHz



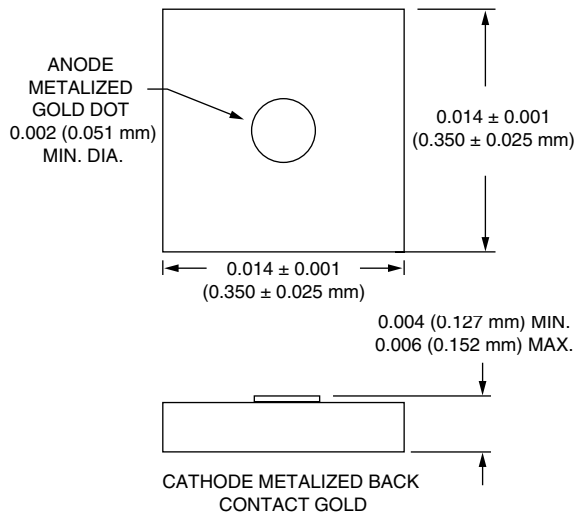
Resistance vs. Forward Current @ 1 GHz

SPICE Model Parameters

Description	Symbol	APD0505-000	APD0510-000	APD0805-000	APD0810-000	APD1510-000	APD2220-000	Unit
Saturation Current	IS	6.40E-14	5.50E-17	1.20E-11	1.50E-12	1.60E-10	2.00E-09	A
Series Resistance	RS	0.25	0.50	1.00	0.30	1.00	0.20	Ω
Emission Coefficient	N	1.40	1.02	1.70	1.48	1.80	1.90	
Reverse Breakdown	BV	50.00	50.00	100.00	100.00	200.00	200.00	V
Current at BV	IBV	10E-06	10E-06	10E-06	10E-06	10E-06	10E-06	A
Zero Bias Capacitance	CJ0	0.12E-12	0.18E-12	0.13E-12	0.16E-12	0.25E-12	0.2E-12	F
Junction Potential	VJ	1.00	1.00	1.00	1.00	1.00	1.00	V
Grading Coefficient	M	0.50	0.50	0.50	0.50	0.50	0.50	
Transit Time	TT	20E-9	40E-9	50E-9	160E-9	300E-9	400E-9	s

Outline Drawings

149-815



150 Series

