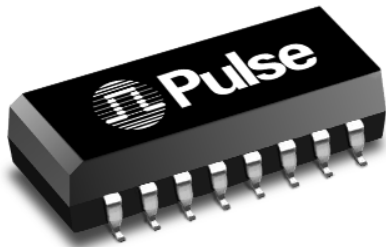


HOME PHONE NETWORKING BANDPASS FILTER



- ⊕ Supports HomePNA™ 1M8 Technology
- ⊕ Includes protection circuitry, isolation and EMI filtering
- ⊕ Designed to withstand 235°C peak infrared reflow temperature

Electrical Specifications @ 25°C — Operating Temperature -40°C to 85°C

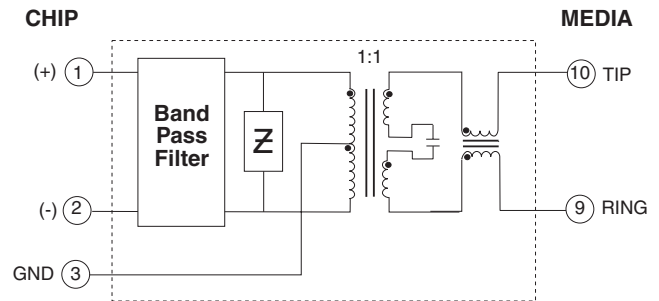
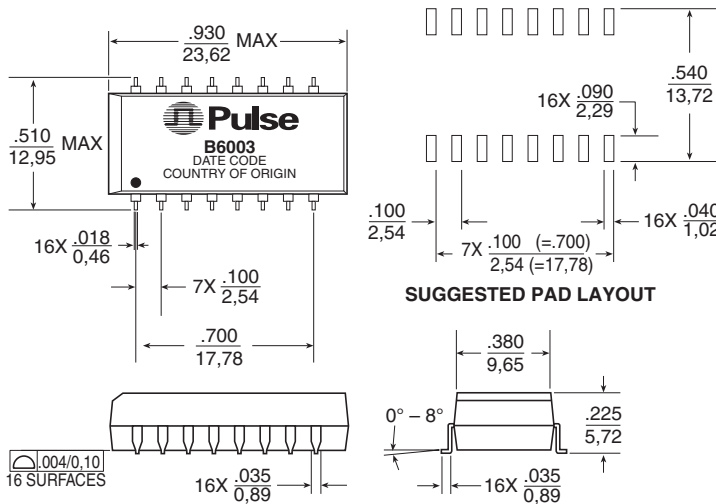
PARAMETER	TEST CONDITION	MIN.	NOM.	MAX.	UNITS
HPN 1M8 Insertion Loss	6.0 MHz		3.2	4	dB
	7.5 MHz	Input (1-2), Output (10-9) HP-8751A S21 100 Ω	2.8	3.5	dB
	9.0 MHz		3.4	4	dB
HPN 1M8 Attenuation	1.0 MHz	Input (1-2), Output (10-9) HP-8751A S21 100 Ω	50	60	dB
	27 MHz		60	70	dB
HPN 1M8 Return Loss (6.0 MHz to 9.0 MHz)	Input (10-9), 100 Ω (1-2) HP-8751A S11 100 Ω	14 avg.			dB
Isolation	Pins (1-2) short to (10-9) shorted	2000			Vrms

NOTE: Filters are shipped in tubes unless Tape & Reel is specified. Please add the suffix "T" (i.e.B6003T) for Tape & Reel orders.

Mechanical

Schematic

B6003



Weight 2.5 grams
Tape & Reel250/reel
Tube20/tube

Dimensions: $\frac{\text{Inches}}{\text{mm}}$
Unless otherwise specified, all tolerances are $\pm \frac{.010}{0.25}$

For More Information :

UNITED STATES (Worldwide)
12220 World Trade Drive
San Diego, CA 92128
U.S.A.
<http://www.pulseeng.com>
TEL: 858 674 8100
FAX: 858 674 8262

UNITED KINGDOM (Northern Europe)
1 & 2 Huxley Road
The Surrey Research Park
Guildford, Surrey GU2 5RE
United Kingdom
TEL: 44 1483 401700
FAX: 44 1483 401701

FRANCE (Southern Europe)
Zone Industrielle
F-39270
Orgelet
France
TEL: 33 3 84 35 04 04
FAX: 33 3 84 25 46 41

SINGAPORE (Southern Asia)
150 Kampong Ampat
#07-01/02
KA Centre
Singapore 368324
TEL: 65 287 8998
FAX: 65 280 0080

TAIWAN, R.O.C. (Northern Asia)
3F-4, No. 81, Sec. 1
HsinTai Wu Road
Hsi-Chih, Taipei Hsien
Taiwan, R.O.C.
Tel: 886 2 2698 0228
FAX: 886 2 2698 0948

DISTRIBUTOR

Performance warranty of products offered on this data sheet is limited to the parameters specified. Data is subject to change without notice. Other brand and product names mentioned herein may be trademarks or registered trademarks of their respective owners.

♻️ Printed on recycled paper. ©2001, Pulse Engineering, Inc.

PRELIMINARY B916.P (12/01)