

DIONICS HIGH VOLTAGE DISPLAY DRIVER CATALOG

Using dielectric isolation, Dionics has developed high voltage drivers for use with displays that must be sufficiently large and bright to be seen from a distance or in strong ambient light. Previous attempts to provide this power by coupling drivers increased parts counts and assembly costs. Dionics monolithic devices are the safe and reliable way to take signals from MOS or TTL circuitry and drive gas discharge, plasma or vacuum fluorescent displays.

DIONS003

Display Drivers

Part Number	Driver Type	Display Type	Input Level Shift	Segments or Digit Circuits	Max. Output Current mA	Max. Volt. Compliance (constant current output)	Max. Pull up Voltage B+ to output	Max. Oper. Power Diss. mW	D.I.P. TYPE
DI 210	Cathode	G	—	3	0-3.5	150 V	—	800	18
DI 220	Cathode	G	—	3	0-3.5	225 V	—	800	18
DI 230A	Cathode	G	—	3	0-3.5	80V	—	800	18
DI 232*	Cathode	G	—	7	0-3.5	80V	—	800	22
DI 240A	Cathode	G	—	3	0-3.5	125V	—	800	18
DI 242*	Cathode	G	—	7	0-3.5	125V	—	800	22
NEW DI 270B	BCD 7 Segment Cathode	G	—	7	0-1.35	125V	—	800	18
DI 300	Level Shifted Cathode	G	200V	8	0-2.5	100 V	—	800	18
DI 302	Level Shifted Cathode	G	100 V	8	0-2.5	100 V	—	800	18
NEW DI 445A	Relay	—	80V	1	200mA	—	—	500	8
NEW DI 480	Open Collector	—	—	5	5	150 V	—	800	14
NEW DI 481	Open Collector	—	—	7	5	150 V	—	800	16
NEW DI 482	Open Collector	—	—	8	5	150 V	—	800	18
DI 500B	Level Shifted Anode	G	200 V	4	0-30	—	90	600	14
DI 502B	Level Shifted Anode	G	125 V	4	0-30	—	90	600	14
DI 503B	Level Shifted Digit	V	80V	4	0-20	—	80	600	14
DI 504B	Level Shifted Digit	V	50V	4	0-20	—	50	600	14
DI 505B	Level Shifted Anode	G	200 V	6	0-30	—	90	600	16
DI 507B	Level Shifted Anode	G	125 V	6	0-30	—	90	600	16
DI 508B	Level Shifted Digit	V	80 V	6	0-20	—	80	600	16
DI 509B	Level Shifted Digit	V	50 V	6	0-20	—	50	600	16
DI 510B	Level Shifted Anode	G	200 V	8	0-30	—	90	800	18
DI 512B	Level Shifted Anode	G	125 V	8	0-30	—	90	800	18
DI 513B	Level Shifted Seg. & Dig.	V	80V	8	0-20	—	80	800	18
DI 514B	Level Shifted Seg. & Dig.	V	50V	8	0-20	—	50	800	18
NEW DI 512 BR†	Level Shifted Anode/Cathode	V/G	110 V	8	0-25	—	110	800	18
NEW DI 513 BR†	Level Shifted Anode/Cathode	V	80V	8	0-25	—	80	800	18
NEW DI 514 BR†	Level Shifted Anode/Cathode	V	50V	8	0-25	—	50	800	18
DI 603 A	Anode	G	—	6	0-10	—	125	600	14
DI 803 A	Anode	G	—	8	0-10	—	125	800	18
NEW DI 740	Totem Pole Output	—	100 V	8	0-25	—	100	800	18
DI 5140	Plasma	G	—	5	0-5	140 V	—	600	14
DI 5180	Plasma	G	—	5	0-5	180 V	—	600	14
DI 5240	Plasma	G	—	5	0-6	240 V	—	600	14
DI 5280	Plasma	G	—	5	0-5	280 V	—	600	14

G—Gas Dischg.

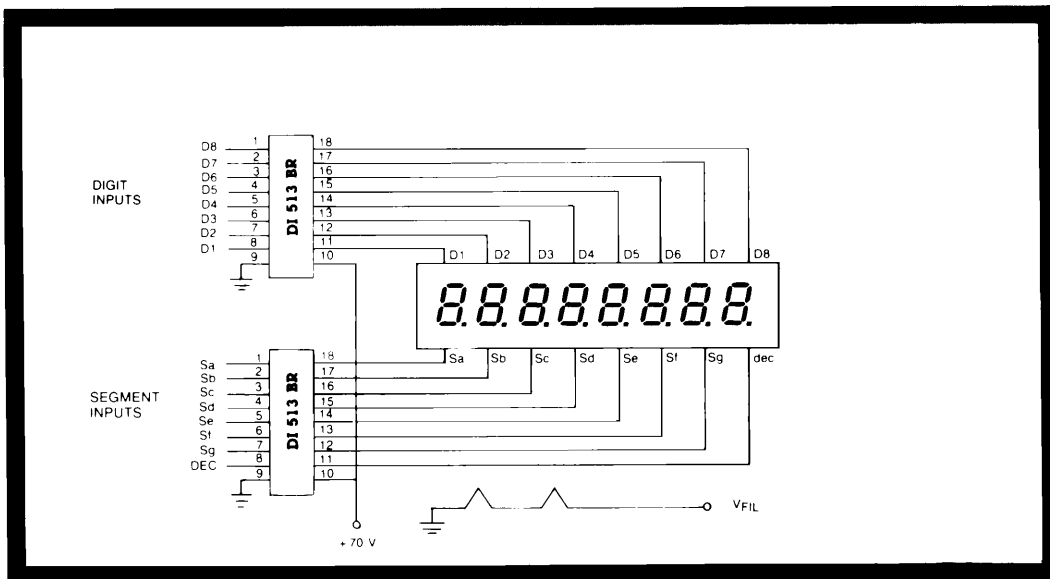
V—Vacuum Fluorescent

All drivers are TTL or MOS compatible.

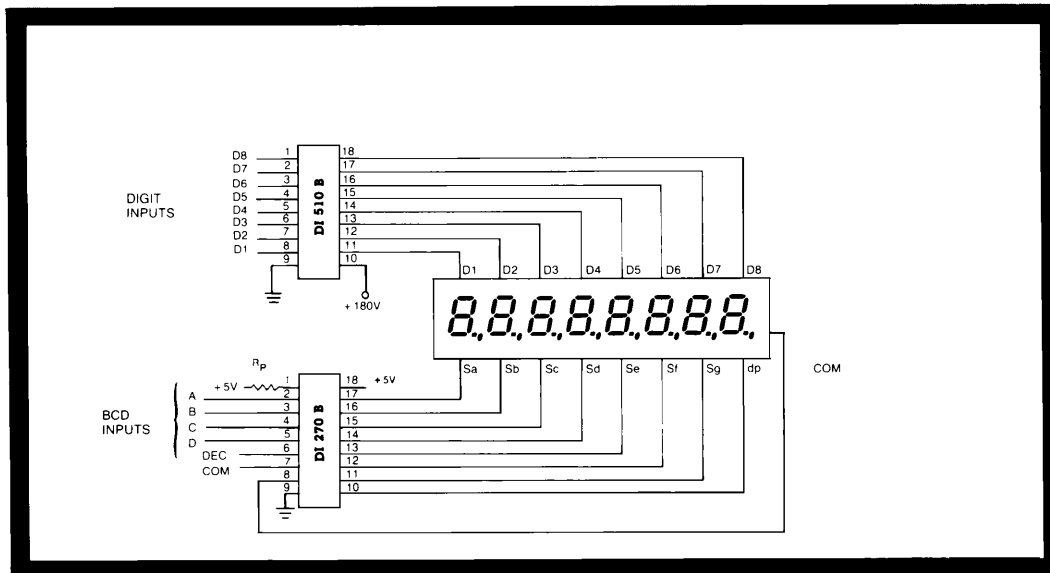
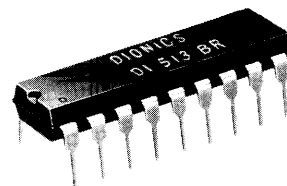
*Uniform brightness achievable for segment groups of different length using individual current programming leg for each group. 2 drivers provide uniformity among 4 groups of segments.

† Internal Pull Down Resistors

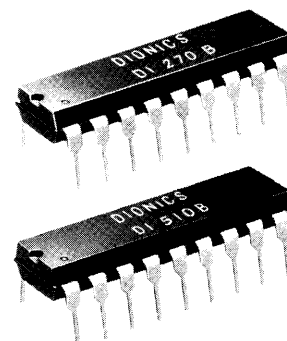
Typical Applications



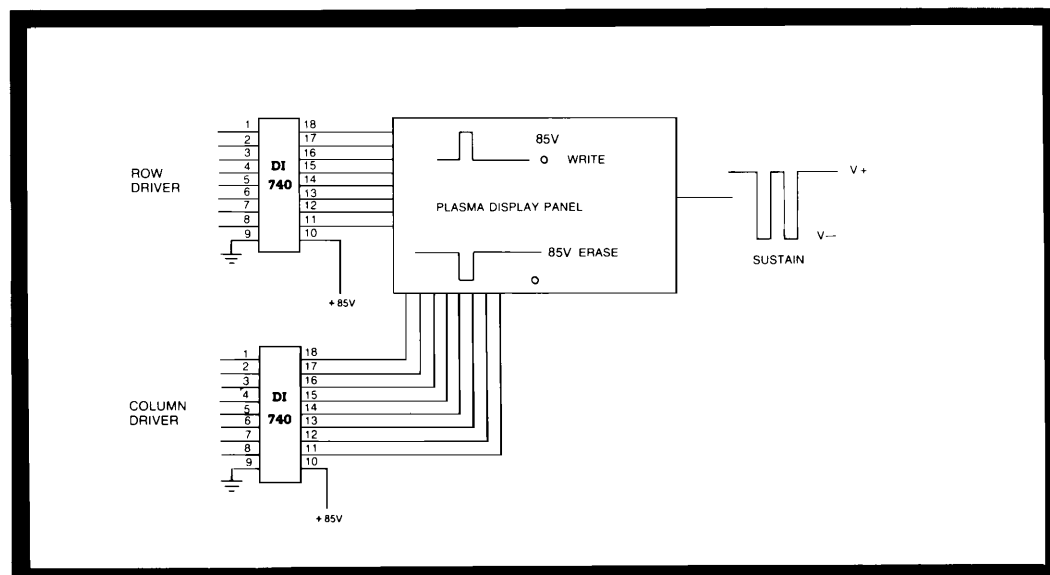
VACUUM FLOURESCENT DRIVE DI 513BR



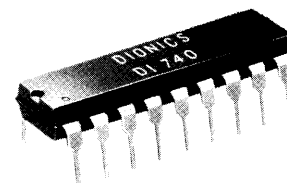
GAS DISCHARGE SUPPLY INTERFACE DI 270B DI 510B



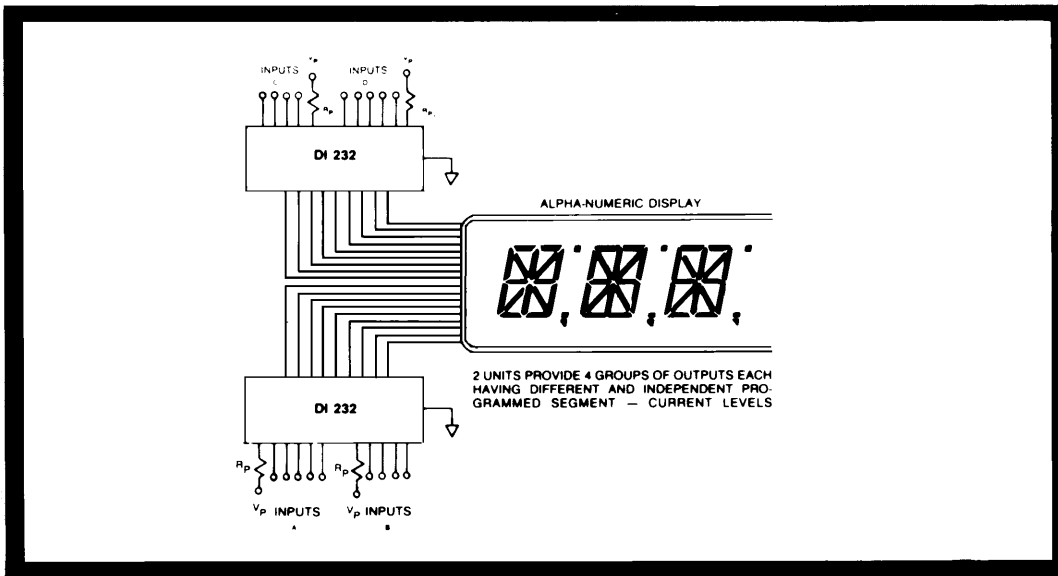
SINGLE SIDED BCD INPUT



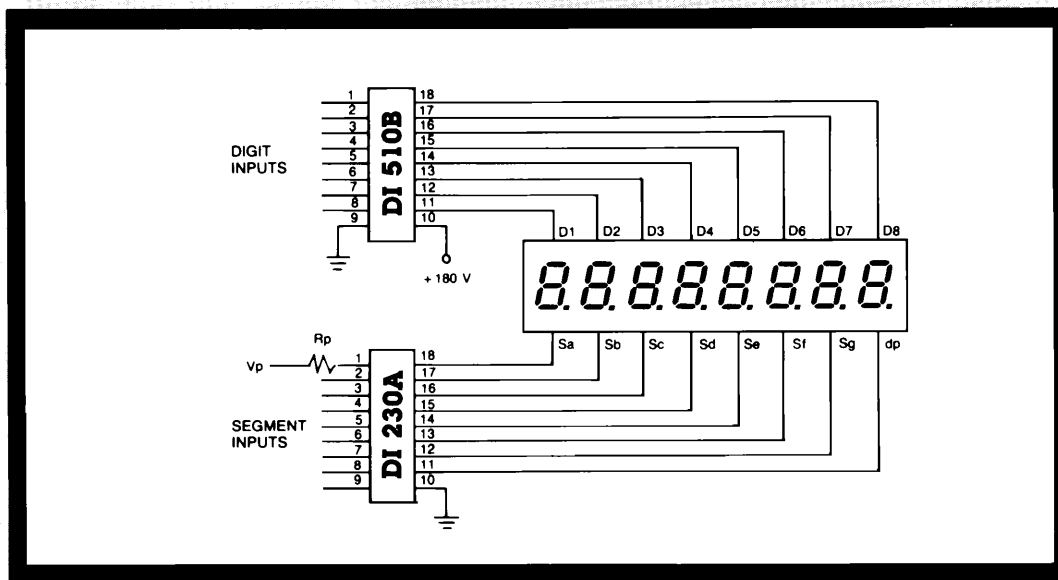
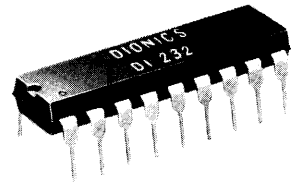
D.C. PLASMA DISPLAY DRIVE DI 740



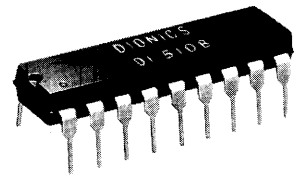
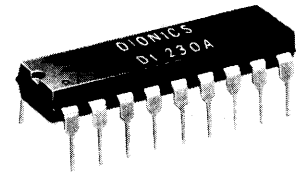
Typical Applications



**ALPHA NUMERIC
DRIVE DI 232**



**SINGLE ENDED
SUPPLY
DI 510B, DI 230A**



D DIONICS INC.

65 RUSHMORE STREET, WESTBURY, NEW YORK 11590
(516) 997-7474 TWX 510-222-0974

