

DM74ALS174/DM74ALS175 Hex/Quad D Flip-Flop with Clear

General Description

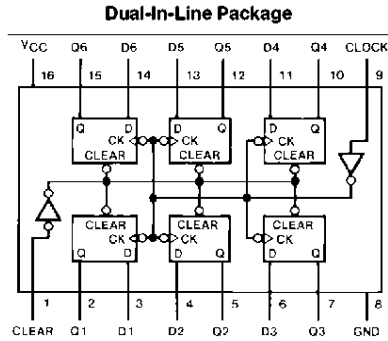
These positive-edge-triggered flip-flops utilize TTL circuitry to implement D-type flip-flop logic. Both have an asynchronous clear input, and the quad (175) version features complementary outputs from each flip-flop.

Information at the D inputs meeting the setup time requirements is transferred to the Q outputs on the positive-going edge of the clock pulse. Clock triggering occurs at a particular voltage level and is not directly related to the transition time of the positive-going pulse. When the clock input is at either the high or low level, the D input signal has no effect at the output.

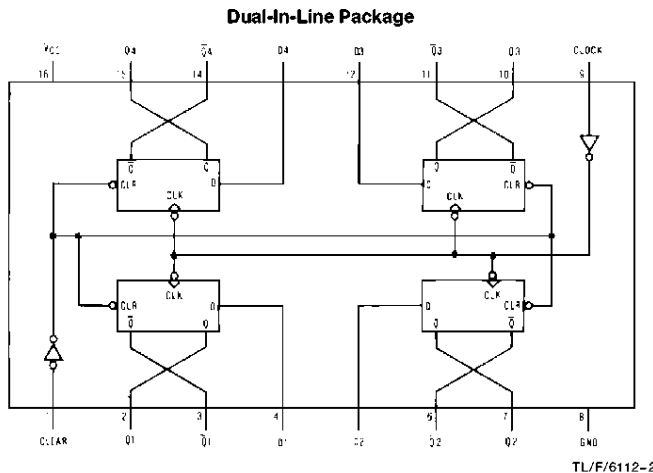
Features

- Advanced oxide-isolated ion-implanted Schottky TTL process
- Pin and functional compatible with LS family counterpart
- Typical clock frequency maximum is 80 MHz
- Switching performance guaranteed over full temperature and V_{CC} supply range

Connection Diagrams



Order Number **DM74ALS174M, DM74ALS174N**
or **DM74ALS174SJ**
See NS Package Number **M16A, M16D** or **N16A**



Function Table

Inputs			Outputs	
Clear	Clock	D	Q	\bar{Q}^*
L	X	X	L	H
H	↑	H	H	L
H	↑	L	L	H
H	L	X	Q_0	\bar{Q}_0

H = High Level (steady state)

L = Low Level (steady state)

X = Don't Care

↑ = Transition from Low to High Level

Q_0 = the level of Q before the indicated steady-state input conditions were established

*applies to 74ALS175 only

Order Number **DM74ALS175M, DM74ALS175N** or **DM74ALS175SJ**
See NS Package Number **M16A, M16D** or **N16A**

Absolute Maximum Ratings

Supply Voltage	7V
Input Voltage	7V
Operating Free Air Temperature Range	
DM74ALS	0°C to +70°C
Storage Temperature Range	-65°C to +150°C
Typical θ_{JA}	
N Package	77.9°C/W
M Package	107.3°C/W

Note: The "Absolute Maximum Ratings" are those values beyond which the safety of the device cannot be guaranteed. The device should not be operated at these limits. The parametric values defined in the "Electrical Characteristics" table are not guaranteed at the absolute maximum ratings. The "Recommended Operating Conditions" table will define the conditions for actual device operation.

Recommended Operating Conditions

Symbol	Parameter		DM74ALS174,175			Units
			Min	Nom	Max	
V _{CC}	Supply Voltage		4.5	5	5.5	V
V _{IH}	High Level Input Voltage		2			V
V _{IL}	Low Level Input Voltage				0.8	V
I _{OH}	High Level Output Current				-0.4	mA
I _{OL}	Low Level Output Current				8	mA
t _w	Pulse Width	Clock High or Low	10			ns
		Clear Low	10			
t _{SETUP}	Setup Time (Note 1)	Data Input	10 ↑			ns
		Clear Inactive State	6 ↑			
t _{HOLD}	Data Hold Time (Note 1)		0 ↑			ns
f _{CLOCK}	Clock Frequency		0		50	MHz
T _A	Free Air Operating Temperature		0		70	°C

Note 1: The symbol ↑ indicates that the rising edge of the clock is used as reference.

Electrical Characteristics

over recommended operating free air temperature range. All typical values are measured at V_{CC} = 5V, T_A = 25°C.

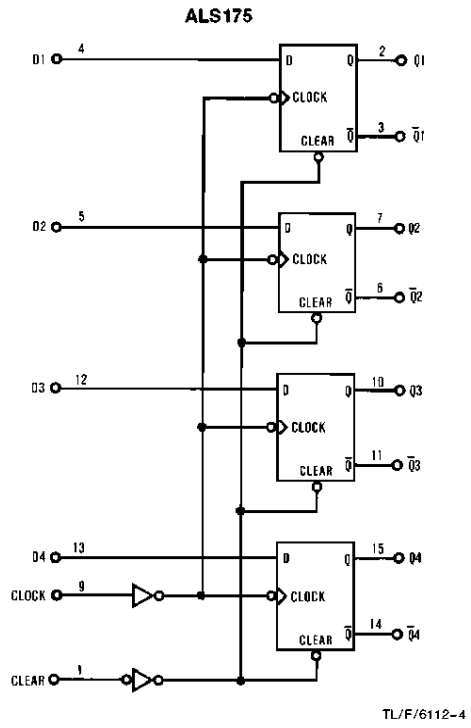
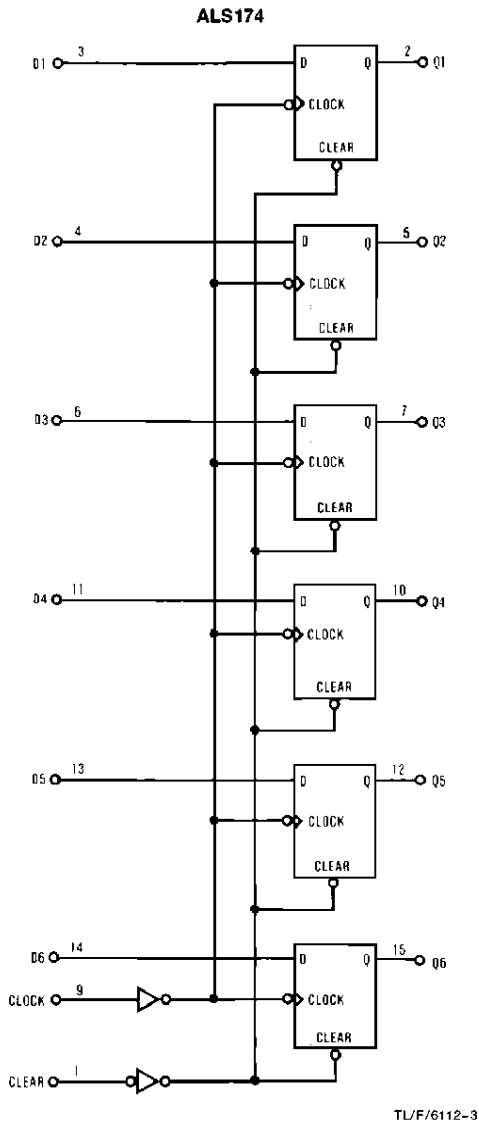
Symbol	Parameter	Conditions	Min	Typ	Max	Units	
V _{IK}	Input Clamp Voltage	V _{CC} = 4.5V, I _{IN} = -18 mA			-1.5	V	
V _{OH}	High Level Output Voltage	I _{OH} = -400 μA V _{CC} = 4.5V to 5.5V	V _{CC} - 2	V _{CC} - 1.6		V	
V _{OL}	Low Level Output Voltage	V _{CC} = 4.5V DM74 I _{OL} = 8 mA		0.35	0.5	V	
I _I	Input Current at Max Input Voltage	V _{CC} = 5.5V, V _{IN} = 7V			0.1	mA	
I _{IH}	High Level Input Current	V _{CC} = 5.5V, V _{IH} = 2.7V			20	μA	
I _{IL}	Low Level Input Current	V _{CC} = 5.5V, V _{IN} = 0.4V			-0.1	mA	
I _O	Output Drive Current	V _{CC} = 5.5V, V _O = 2.25V	-30		-112	mA	
I _{CC}	Supply Current	V _{CC} = 5.5V Clock = 4.5V Clear = GND D Input = GND	ALS174		11	19	mA
			ALS175		8	14	

Switching Characteristics over recommended operating free air temperature range (Note 1)

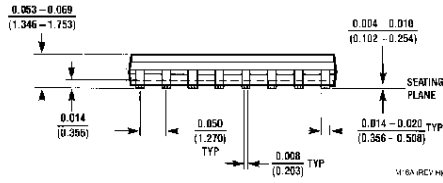
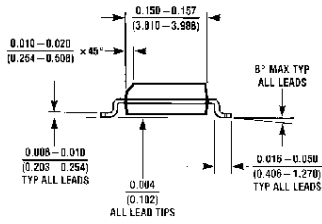
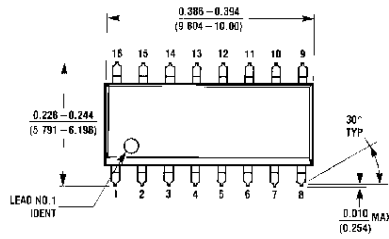
Symbol	Parameter	Conditions	DM74ALS174, 175		Units
			Min	Max	
f _{MAX}	Maximum Clock Frequency	R _L = 500Ω C _L = 50 pF V _{CC} = 4.5V to 5.5V	50		MHz
t _{PLH}	Propagation Delay Time Low to High Level Output From Clear (175 Only)		5	18	ns
t _{PHL}	Propagation Delay Time High to Low Level Output From Clear		8	23	ns
t _{PLH}	Propagation Delay Time Low to High Level Output From Clock		3	15	ns
t _{PHL}	Propagation Delay Time High to Low Level Output From Clock		5	17	ns

Note 1: See Section 5 for test waveforms and output load.

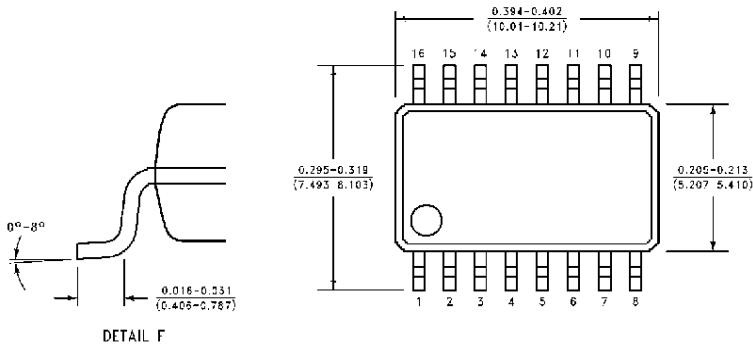
Logic Diagrams



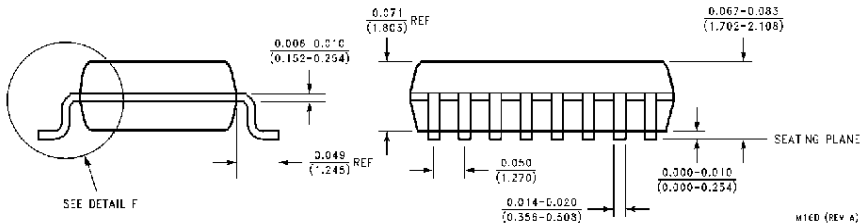
Physical Dimensions inches (millimeters)



S.O. Package (M)
Order Number DM74ALS174M or DM74ALS175M
NS Package Number M16A

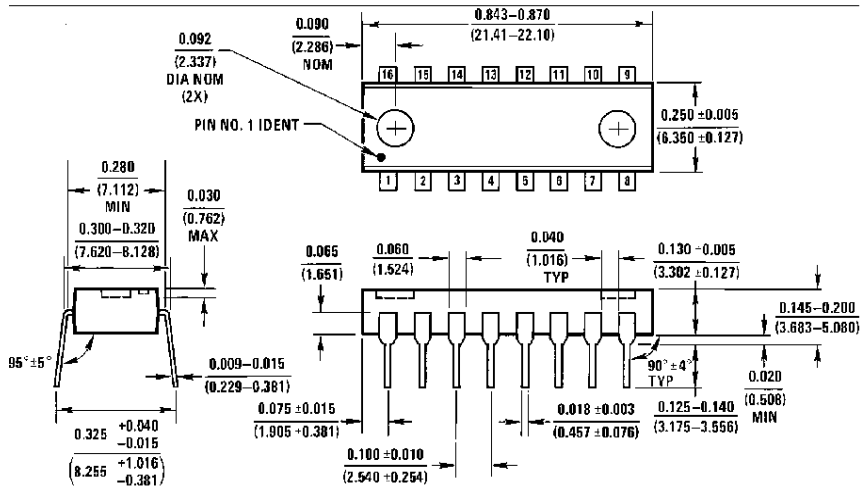


DETAIL F



Small Outline Package (SJ)
Order Number DM74ALS174SJ or DM74ALS175SJ
NS Package Number M16D

Physical Dimensions inches (millimeters) (Continued)



Molded Dual-In-Line Package (N)
Order Number DM74ALS174N or DM74ALS175N
NS Package Number N16A

N16A (REV E)

LIFE SUPPORT POLICY

NATIONAL'S PRODUCTS ARE NOT AUTHORIZED FOR USE AS CRITICAL COMPONENTS IN LIFE SUPPORT DEVICES OR SYSTEMS WITHOUT THE EXPRESS WRITTEN APPROVAL OF THE PRESIDENT OF NATIONAL SEMICONDUCTOR CORPORATION. As used herein:

1. Life support devices or systems are devices or systems which, (a) are intended for surgical implant into the body, or (b) support or sustain life, and whose failure to perform, when properly used in accordance with instructions for use provided in the labeling, can be reasonably expected to result in a significant injury to the user.
2. A critical component is any component of a life support device or system whose failure to perform can be reasonably expected to cause the failure of the life support device or system, or to affect its safety or effectiveness.



National Semiconductor Corporation
 1111 West Bardin Road
 Arlington, TX 76017
 Tel: 1(800) 272-9959
 Fax: 1(800) 737-7018

National Semiconductor Europe
 Fax: (+49) 0-180-530 85 86
 Email: onjwge@tevm2.nsc.com
 Deutsch Tel: (+49) 0-180-530 85 85
 English Tel: (+49) 0-180-532 78 32
 Français Tel: (+49) 0-180-532 93 58
 Italiano Tel: (+49) 0-180-534 16 80

National Semiconductor Hong Kong Ltd.
 13th Floor, Straight Block,
 Ocean Centre, 5 Canton Rd.
 Tsimshatsui, Kowloon
 Hong Kong
 Tel: (852) 2737-1600
 Fax: (852) 2736-9960

National Semiconductor Japan Ltd.
 Tel: 81-043-299-2309
 Fax: 81-043-299-2408

National does not assume any responsibility for use of any circuitry described, no circuit patent licenses are implied and National reserves the right at any time without notice to change said circuitry and specifications.