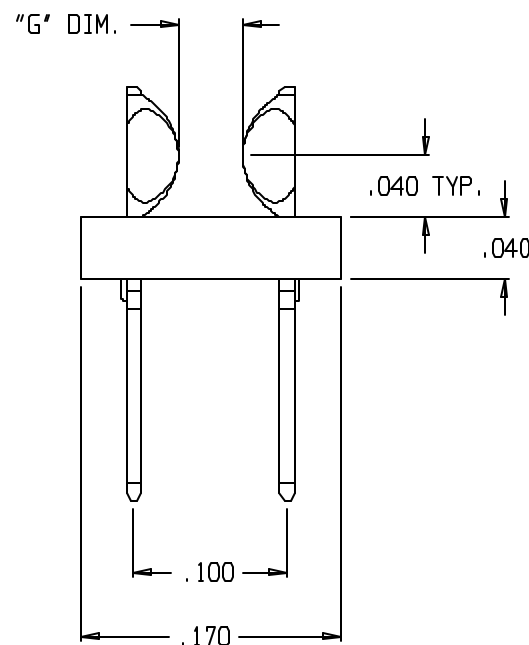
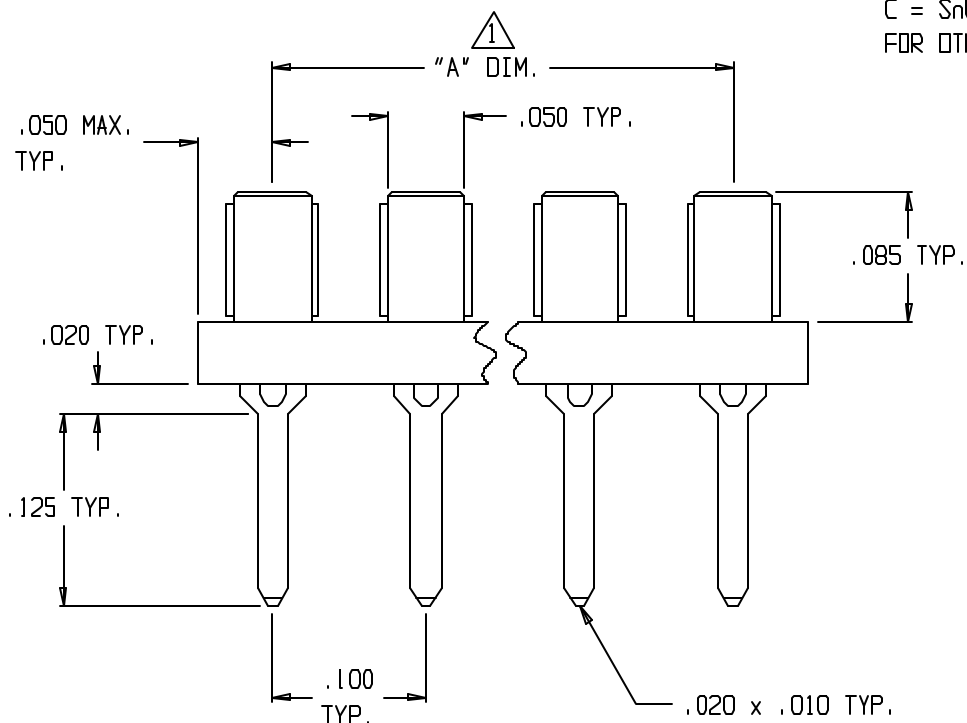


Rev.	Revision	Date	By
1	RELEASED PER ECN 95-033	10/06/95	G.

ORDERING CODE:

PART # EA25 XX -D XX C -00C


SERIES _____
NUMBER OF POSITIONS _____
PER ROW (10 - 44)
"G" DIMENSION _____
45 = .045
56 = .056
SOLDER / FLUX TYPE _____
C = Sn60 Pb40 RMA
FOR OTHER TYPES, CONSULT FACTORY



NOTES:

1. "A" DIMENSION EQUALS NUMBER OF POSITIONS PER ROW TIMES .100 MINUS .100. SIZES RANGING FROM 10 TO 44 POSITIONS PER ROW ARE AVAILABLE.

2. MATERIAL: HOUSING - HIGH TEMPERATURE FIBERGLASS REINFORCED THERMOPLASTIC
CONTACT - COPPER ALLOY
FINISH - 150 MICROINCHES TIN/LEAD.

NET ASSY		Material:	Drawn by:	Date:	 AN INVERTELL INDUSTRIES CO. TEL: (401) 775-4100 FAX: (401) 771-9731	100 FIDELITY AVE. MIDDLETOWN, R.I. 02839
Unless otherwise specified dimensions are in inches. Tolerances are: Fractions Decimals Angles $\pm .004$ $\pm .005$ $\pm 1^\circ$ All dimensions shown are unless plating. Remove burrs and sharp edges.		Spec:	T. GRAY	10/06/95		
		Finish:	Checked by:	Date:	Title: .100 x .100 SQUARE EDGE CLIP ASSEMBLY	
		Ref. No.:	Lead's Ack'd:	Ref No.:	EA25XX-DXXC-00C	
		File Name:	EA25XXR1	Scale:	10 : 1	Sheet of 1