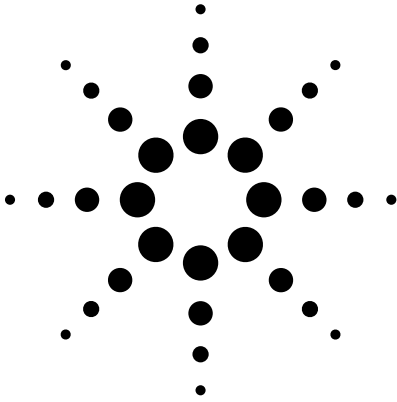


# Agilent HDSP-B0xE 18:88 and 88:88 0.56" Four Digit GaP HER Seven Segment Display

## Data Sheet



### Features

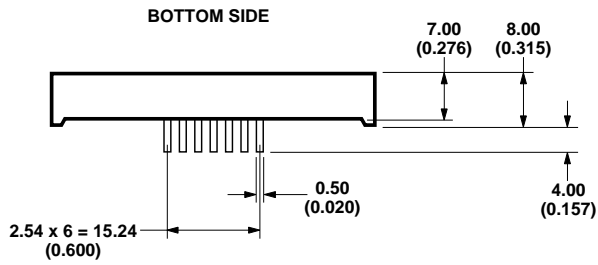
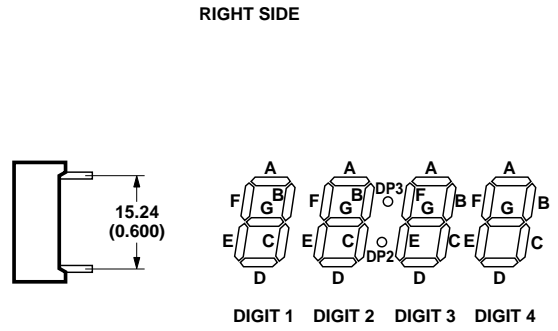
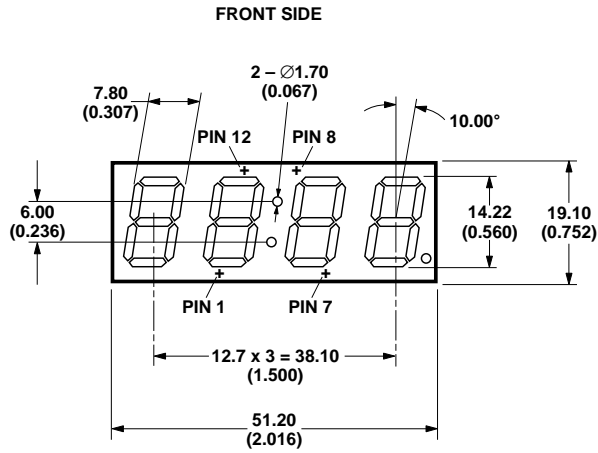
- Excellent appearance
- Evenly illuminated segments
- Gray face for optimum on/off contrast
- Choice of colors: HER
- Choice of character size: 0.56 inch

### Description

The 18:88 and 88:88 0.56" Four Digit Seven Segment Displays have surface painted in neutral gray for enhanced on/off contrast. All devices are available in either common anode or common cathode configuration with untinted segments.

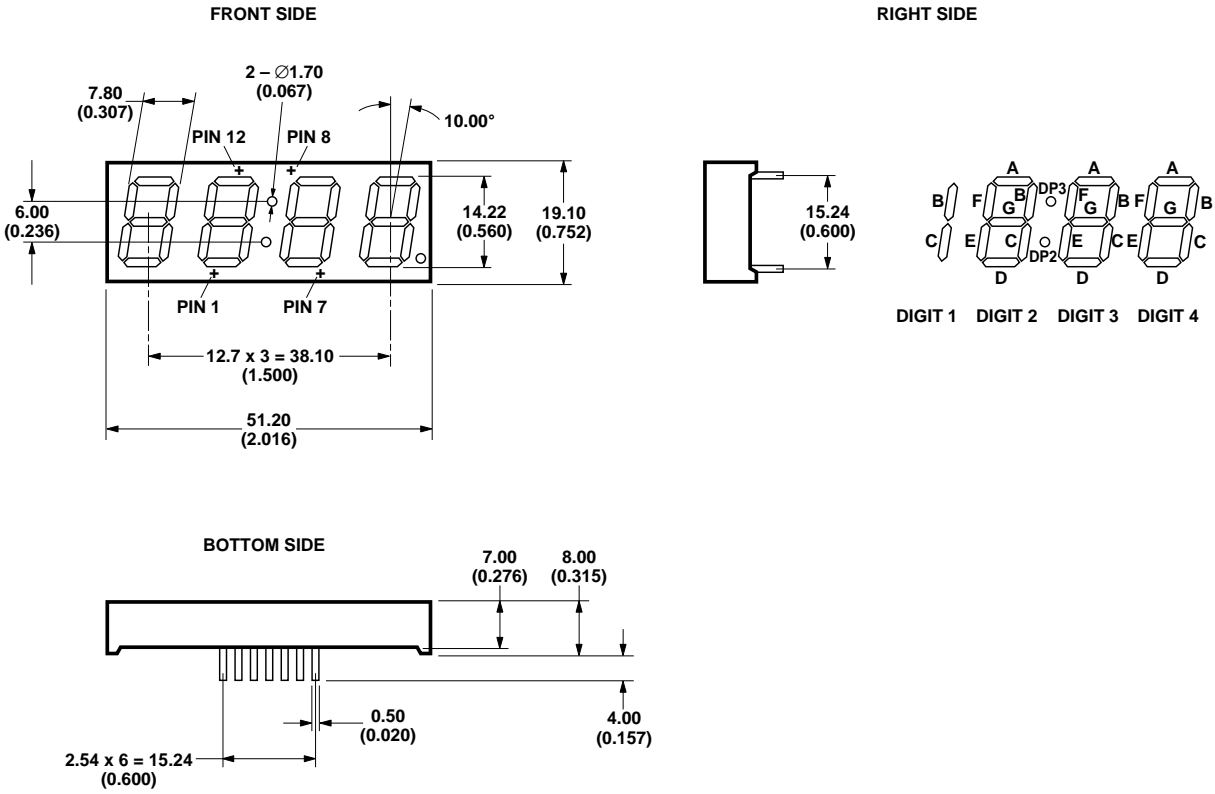


**Package Dimensions**  
 88:88 0.56" Four Digit Display



**NOTE:**  
 ALL DIMENSIONS ARE IN MILLIMETERS (INCHES).  
 UNLESS OTHERWISE STATED, TOLERANCES ARE  $\pm 0.25$  mm.

**Package Dimensions**  
 18:88 0.56" Four Digit Display

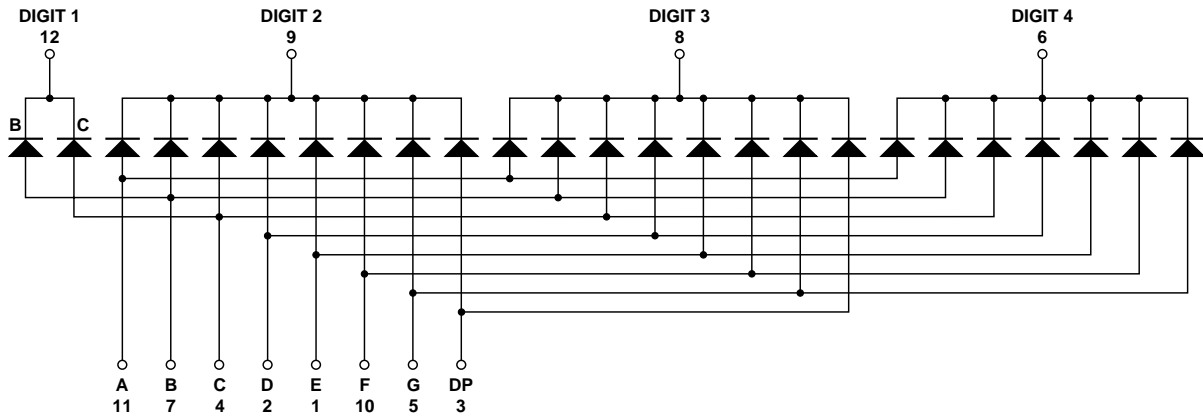


**NOTE:**  
 ALL DIMENSIONS ARE IN MILLIMETERS (INCHES).  
 UNLESS OTHERWISE STATED, TOLERANCES ARE  $\pm 0.25$  mm.

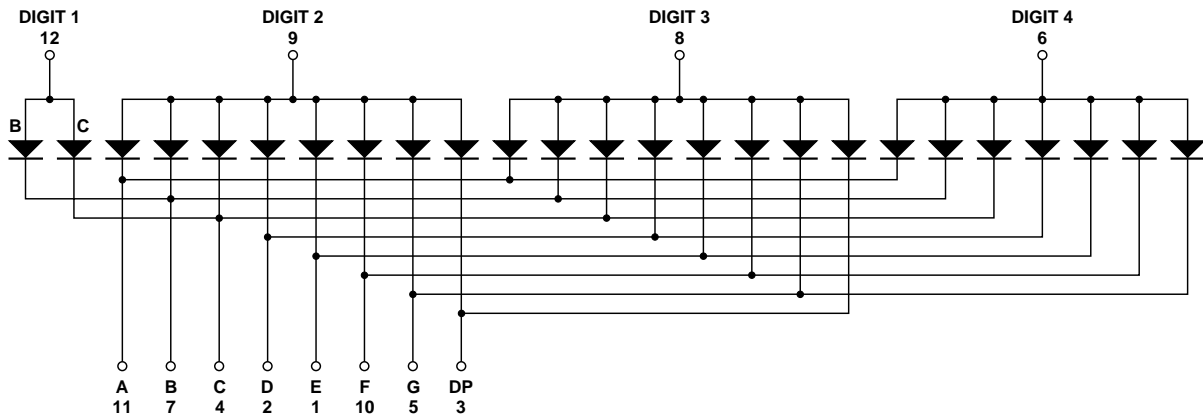
**Pin Configuration**

Pin	Function	
	HDSP-B01E/B03E	HDSP-B02E/B04E
1	Anode E	Cathode E
2	Anode D	Cathode D
3	Anode DP	Cathode DP
4	Anode C	Cathode C
5	Anode G	Cathode G
6	Digit 4 Common Cathode	Digit 4 Common Anode
7	Anode B	Cathode B
8	Digit 3 Common Cathode	Digit 3 Common Anode
9	Digit 2 Common Cathode	Digit 2 Common Anode
10	Anode F	Cathode F
11	Anode A	Cathode A
12	Digit 1 Common Cathode	Digit 1 Common Anode

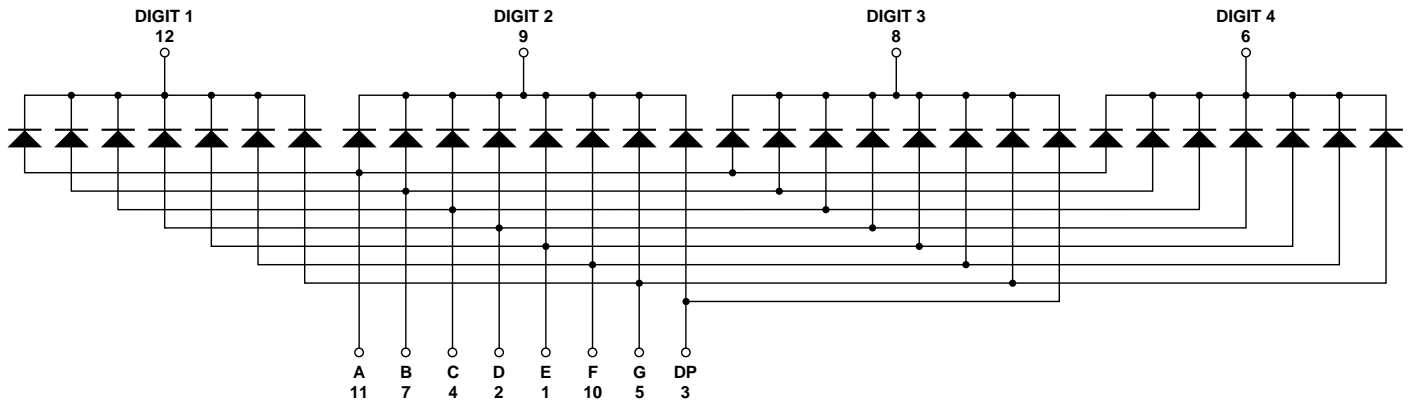
**Internal Circuit Diagram**  
HDSP-B01E (Common Cathode)



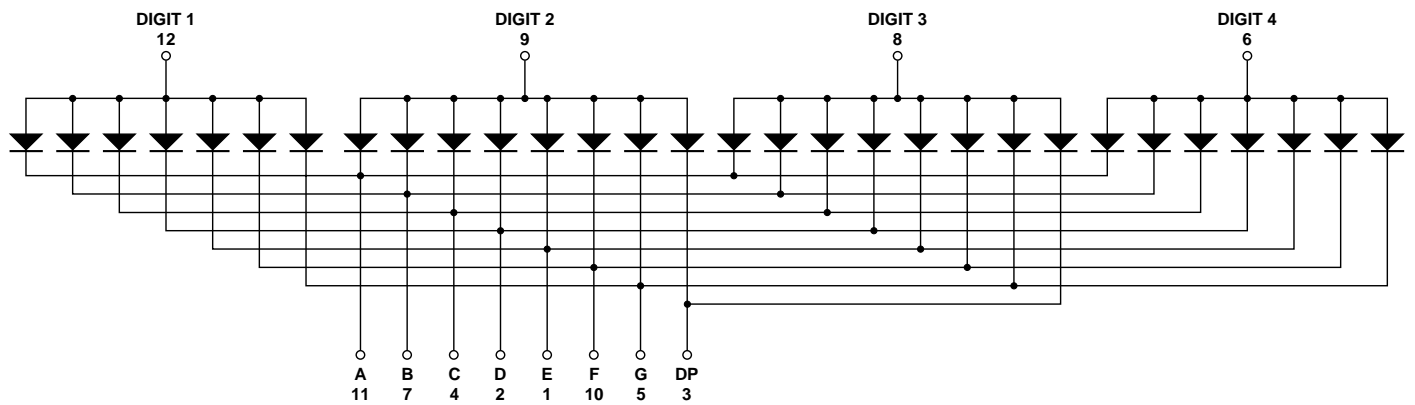
HDSP-B02E (Common Anode)



**Internal Circuit Diagram**  
HDSP-B03E (Common Cathode)



HDSP-B04E (Common Anode)



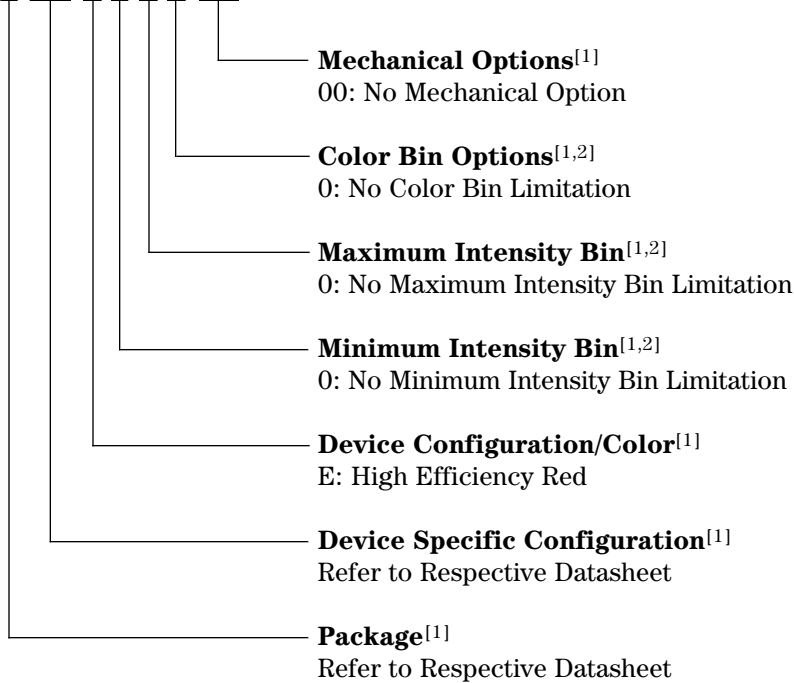
## Devices

HDSP-	Description
B01E	88:88 0.56" HER 4 Digit, Untinted, Common Cathode, Display 18:88, Gray Color Surface
B02E	88:88 0.56" HER 4 Digit, Untinted, Common Anode, Display 18:88, Gray Color Surface
B03E	88:88 0.56" HER 4 Digit, Untinted, Common Cathode, Display 88:88, Gray Color Surface
B04E	88:88 0.56" HER 4 Digit, Untinted, Common Anode, Display 88:88, Gray Color Surface

## Part Numbering System

5082 -X X X X-X X X X X

HDSP-X X X X-X X X X X



### Notes:

1. For codes not listed in the figure above, please refer to the respective datasheet or contact your nearest Agilent representative for details.
2. Bin options refer to shippable bins for a part number. Color and Intensity Bins are typically restricted to 1 bin per tube (exceptions may apply). Please refer to respective datasheet for specific bin limit information.

### Absolute Maximum Ratings

Description	HER	Units
Average Power per Segment or DP	65	mW
Peak Forward Current per Segment or DP	100	mA
DC Forward Current per Segment or DP	25	mA
Operating Temperature Range	-40 to +105	°C
Storage Temperature Range	-40 to +105	°C
Reverse Voltage per Segment or DP	5	V
Lead Solder Temperature for 3 seconds 1.59 mm below seating plane.	260	°C

**Note:**

1. Derate above 40°C at 0.33 mA/°C for HER.

### Electrical/Optical Characteristics at T<sub>A</sub> = 25°C

Device Series		Parameter	Symbol	Min.	Typ.	Max.	Units	Test Conditions	
B01E	HDSP-	Luminous Intensity/Segment (Digit Average)	I <sub>V</sub>	3200	5500		μcd	I <sub>F</sub> = 10 mA	
B02E									
B03E	HDSP-	Forward Voltage/Segment or DP	V <sub>F</sub>		2.05	2.60	V	I <sub>F</sub> = 20 mA	
B04E									
			Peak Wavelength	λ <sub>PEAK</sub>		632		nm	I <sub>F</sub> = 20 mA
			Dominant Wavelength	λ <sub>d</sub>		622		nm	I <sub>F</sub> = 20 mA
			Luminous Intensity Matching Ratio	I <sub>V-M</sub>			2:1		I <sub>F</sub> = 10 mA
		Reverse Current	I <sub>R</sub>			100	μA	V <sub>R</sub> = 5 V	

**Notes:**

1. Typical specification for reference only. Do not exceed absolute maximum ratings.
2. The dominant wavelength, λ<sub>d</sub>, is derived from the CIE chromaticity diagram and is that single wavelength which defines the color of the device.

### Intensity Bin Limits (Tolerance ± 10%)

Rank	Symbol	Condition	Min.	Max.	Unit
L	I <sub>V</sub>	I <sub>F</sub> = 10 mA	3200	5050	μcd
M	I <sub>V</sub>	I <sub>F</sub> = 10 mA	5050	8000	μcd

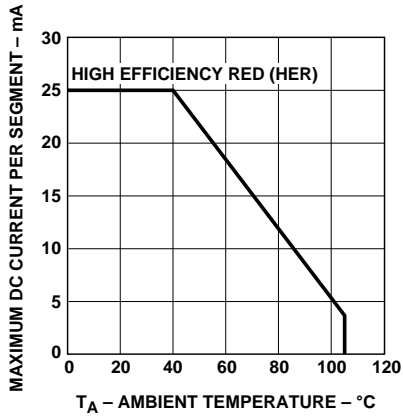


Figure 1. Maximum allowable average or DC current vs. ambient temperature.

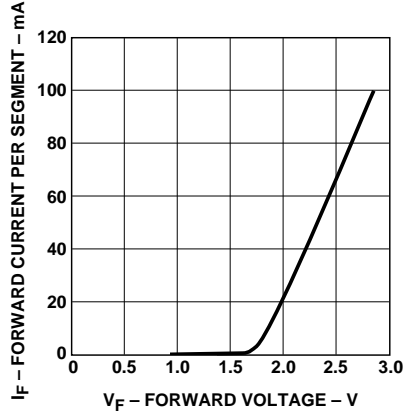


Figure 2. Forward current vs. forward voltage.

### Contrast Enhancement

For information on contrast enhancement, please see Application Note 1015.

### Soldering/Cleaning

Cleaning agents from the ketone family (acetone, methyl ethyl ketone, etc.) and from the chlorinated hydrocarbon family (methylene chloride, trichloroethylene, carbon tetrachloride, etc.) are not recommended for cleaning LED parts. All these various solvents attack or dissolve the encapsulating epoxies used to form the package of plastic LED parts.

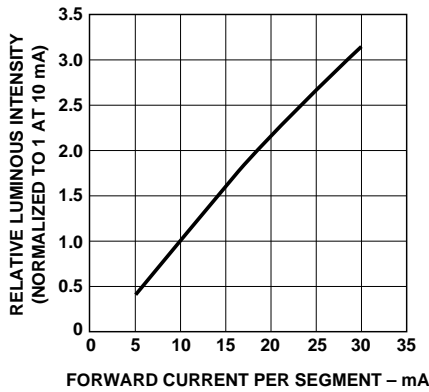


Figure 3. Relative luminous intensity vs. DC forward current.

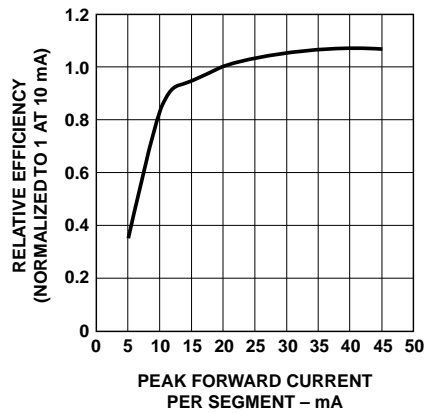


Figure 4. Relative efficiency (luminous intensity per unit current) vs. peak current.