



Integrated
Circuit
Systems, Inc.

PRELIMINARY

ICS843002-31

700MHz FEMTOCLOCKS™ VCXO BASED FREQUENCY TRANSLATOR AND JITTER ATTENUATOR

GENERAL DESCRIPTION



The ICS843002-31 is a member of the HiPerClockS™ family of high performance clock solutions from ICS. This monolithic device is a high-performance, PLL-based synchronous clock generator and jitter attenuation circuit. The ICS843002-31 contains two clock multiplication stages that are cascaded in series. The first stage is a VCXO-based PLL that is optimized to provide reference clock jitter attenuation, to be jitter tolerant, and to provide a stable reference clock for the second multiplication stage. The second stage is the proprietary ICS FemtoClock™ circuit which is a high-frequency, sub-picosecond clock multiplier.

The VCXO PLL has an on-chip VCXO circuit that uses an external, inexpensive pullable crystal in the 17.5 to 25MHz range. The PLL includes 13 bit reference and feedback dividers supporting complex PLL multiplication ratios and input reference clock rates as low as 2.3kHz. External loop filter components are used (two resistors and two capacitors) to achieve the low loop bandwidth needed for jitter attenuation of a recovered data clock.

The FemtoClock circuit can multiply the VCXO crystal frequency by a factor of 28 or 32 (selectable) and provide a clock output of up to 700MHz.

Clock Input/Output Configuration:

- Clock Inputs - one differential pair, two singled ended (mux selected)
 - Differential input pair can support LVPECL, LVDS, LVHSTL, SSTL, HCSL or single-ended LVCMOS or LVTTTL levels
 - Singled ended inputs can support LVCMOS or LVTTTL levels
- Clock Outputs, FemtoClockS two LVPECL pairs (selectable output dividers)
- Clock Output, VCXO – one single ended output (at VCXO crystal frequency)
- Clock Output, other – VCXO reference clock

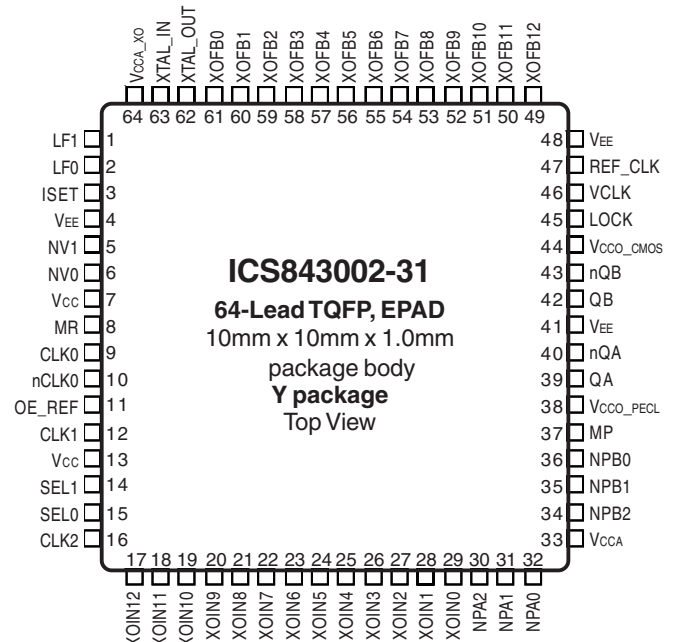
Example Applications:

- SONET/SDH line card clock generator (up to 622.08MHz for OC-48) using 8kHz frame clock as input reference
- Jitter attenuation of a recovered communications clock
- Complex-ratio clock frequency translation between various communication protocols, such as:
 - For telecom, OC-12 to E3 rate conversion, 622.08MHz to 34.368MHz, PLL ratio of 179/32
 - For digital video, ITU-R601 to SMPTE 252M/59.94, 27MHz to 74.17582MHz, PLL ratio of 250/91

FEATURES

- Outputs:
 - Two high frequency differential LVPECL outputs
Output frequency: up to 700MHz
 - One LVCMOS/LVTTL VCXO PLL output with output enable
 - One Reference clock output with output enable
 - One LOCK detect output
- Input mux supports 3 selectable inputs: one differential input pair and two LVCMOS/LVTTL input clocks
- 13-bit VCXO PLL feedback and reference dividers provide wide range of frequency translation ratio options
- FemtoClock frequency multiplier supports rate of: 560MHz - 700MHz
- 'Lock Detect' output reports lock status of VCXO PLL
- VCXO PLL circuit provides jitter attenuation with loop bandwidth of 250Hz and below (user adjustable)
- RMS phase jitter, random at 12kHz to 20MHz: <1ps (design target)
- 3.3V supply voltage
- 0°C to 70°C ambient operating temperature
- Industrial temperature information available upon request
- Available in both standard and lead-free RoHS-compliant packages

PIN ASSIGNMENT



The Preliminary Information presented herein represents a product in prototyping or pre-production. The noted characteristics are based on initial product characterization. Integrated Circuit Systems, Incorporated (ICS) reserves the right to change any circuitry or specifications without notice.

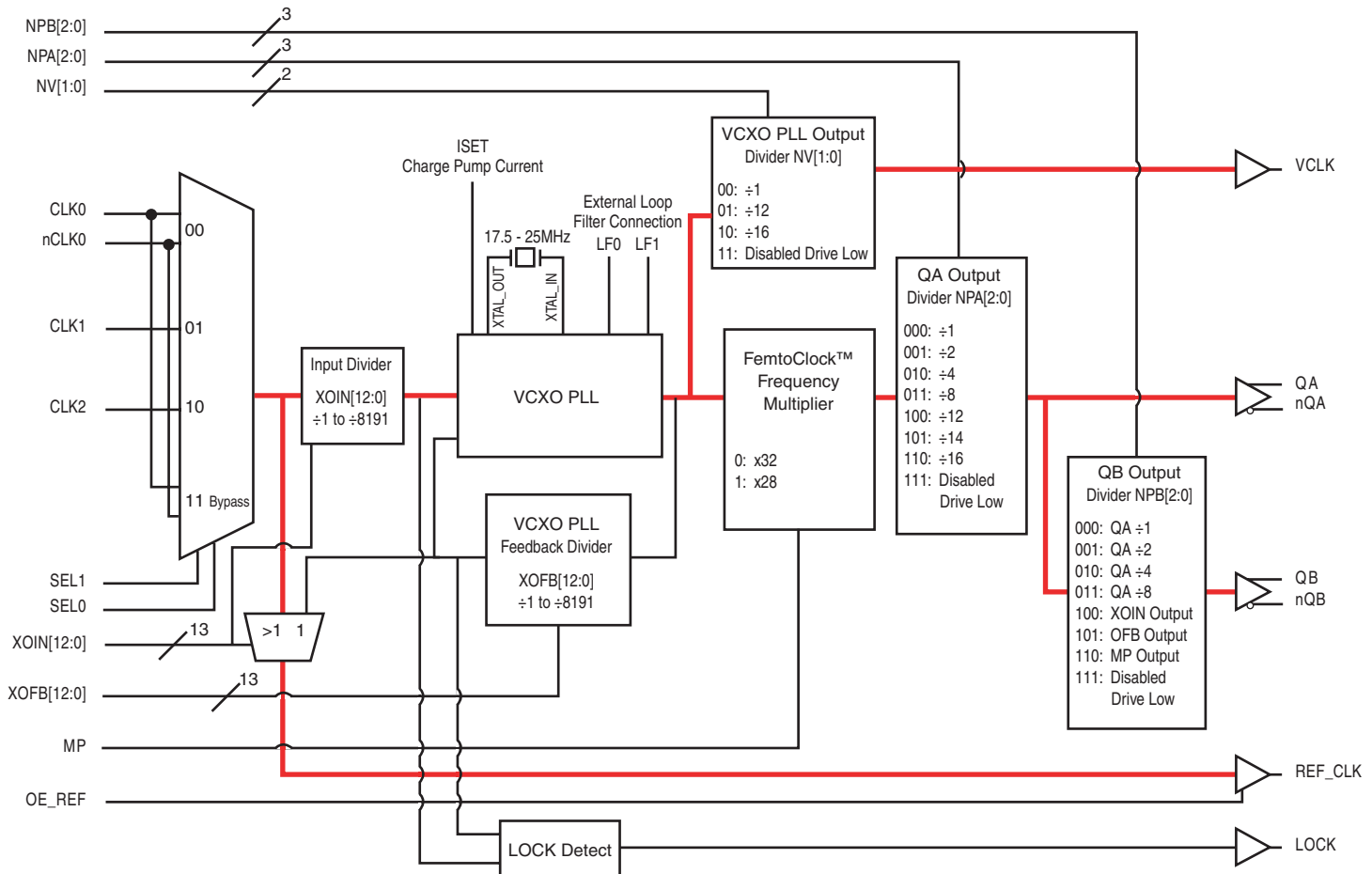


Integrated
Circuit
Systems, Inc.

PRELIMINARY

ICS843002-31
700MHz FEMTOCLOCKS™ VCXO BASED
FREQUENCY TRANSLATOR AND JITTER ATTENUATOR

BLOCK DIAGRAM - NOMINAL SYSTEM CONFIGURATION



NOTE 1: For application configuration (non-test/bypass modes).

NOTE 2: Bold lines — are primary clock paths (non-control/non-feedback lines).
Not all control lines and signal paths are shown in this simplified block diagram.

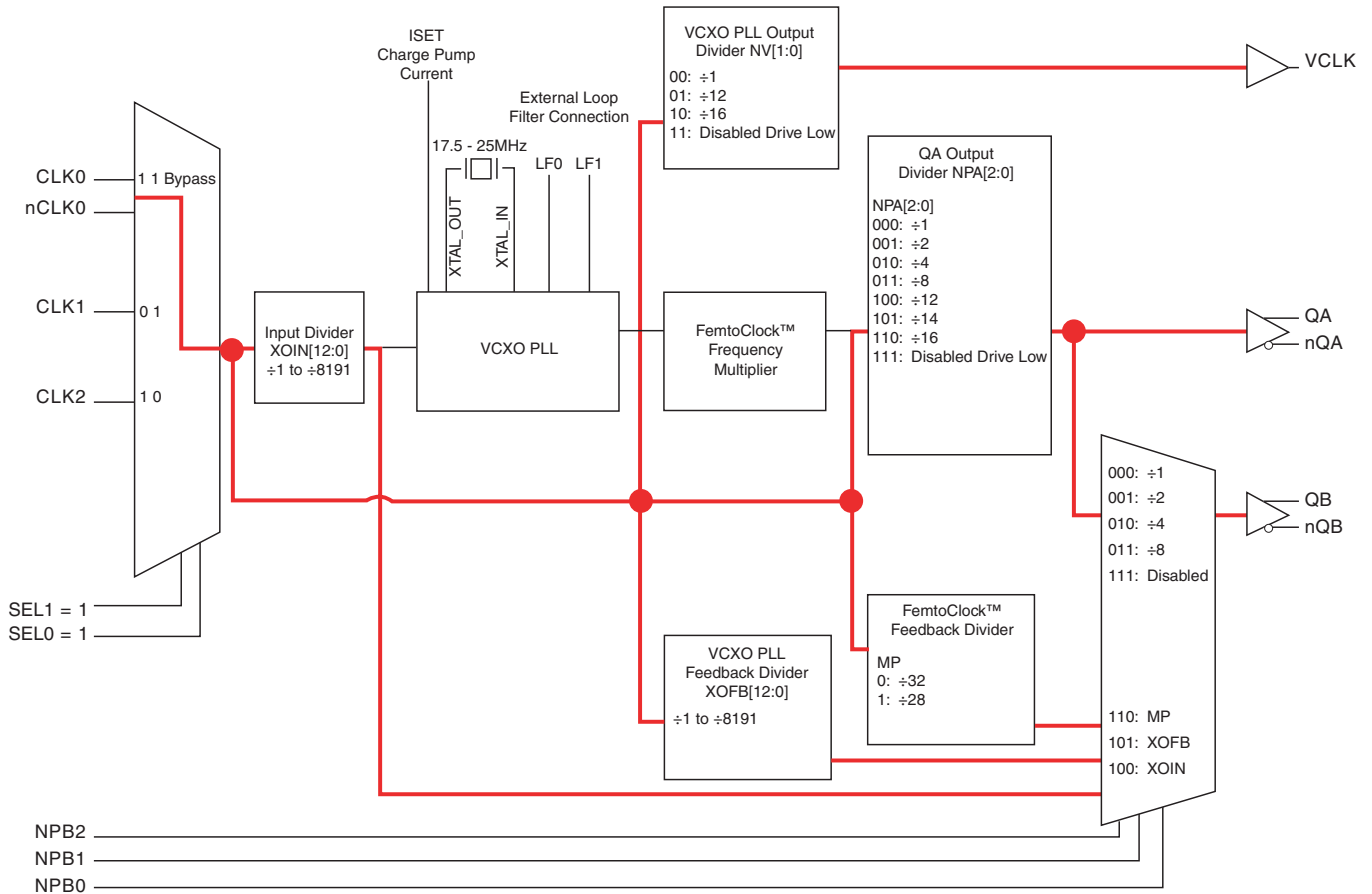


Integrated
Circuit
Systems, Inc.

PRELIMINARY

ICS843002-31
700MHz FEMTOCLOCKS™ VCXO BASED
FREQUENCY TRANSLATOR AND JITTER ATTENUATOR

SIMPLIFIED BLOCK DIAGRAM - CLOCK SIGNAL PATHS IN BYPASS MODE



NOTE 1: Setting SEL1:SEL0 = 11 enables bypass mode. Only clock signals on the CLK0/nCLK0 input pair are routed to the device in bypass mode.

NOTE 2: Bold lines show clock bypass paths. Not all control lines and signal paths are shown in this simplified block diagram.



Integrated
Circuit
Systems, Inc.

PRELIMINARY

ICS843002-31
700MHz FEMTOCLOCKS™ VCXO BASED
FREQUENCY TRANSLATOR AND JITTER ATTENUATOR

TABLE 1. PIN DESCRIPTIONS (CONTINUED ON NEXT PAGE)

Number	Name	Type		Description
1, 2	LF1, LF0	Analog Input/Output		Loop filter connection pins.
3	ISET	Analog Input/Output		Charge pump current setting pin.
4, 41, 48	V _{EE}	Power		Negative supply pins. Normally connected to ground.
5, 6	NV1, NV0	Input	Pullup	VCXO PLL output divider control pins. LVCMOS/LVTTL interface levels.
7, 13	V _{CC}	Power		Core power supply pins.
8	MR	Input	Pulldown	Master Reset. When HIGH, resets all internal dividers and LVCMOS outputs are in high impedance. LVCMOS / LVTTL interface levels.
9	CLK0	Input	Pulldown	Non-inverting differential clock input.
10	nCLK0	Input	Pullup/ Pulldown	Inverting differential clock input. V _{CC} /2 bias voltage when left floating.
11	OE_REF	Input	Pulldown	Output enable control for reference clock output. When logic LOW, the reference clock output is in high impedance. When logic HIGH, the output is enabled. LVCMOS/LVTTL interface levels.
12	CLK1	Input	Pulldown	Clock input. LVCMOS/LVTTL interface levels.
14, 15	SEL1, SEL0	Input	Pulldown	Input clock select. LVCMOS/LVTTL interface levels.
16	CLK2	Input	Pulldown	Clock input. LVCMOS/LVTTL interface levels.
17, 18, 19, 20, 21, 22, 23, 24, 25, 26, 27, 28	XOIN12:XOIN1	Input	Pulldown	VCXO PLL input divider control input. LVCMOS/LVTTL interface levels.
29	XOIN0	Input	Pullup	VCXO PLL input divider control input. LVCMOS/LVTTL interface levels.
30, 31, 32	NPA2, NPA1, NPA0	Input	Pulldown	LVPECL output divider control for QA/nQA outputs. LVCMOS/LVTTL interface levels.
33	V _{CCA}	Power		Analog supply pin.
34, 35, 36	NPB2, NPB1, NPB0	Input	Pulldown	LVPECL output divider control for QB/nQB outputs. LVCMOS/LVTTL interface levels.
37	MP	Input	Pulldown	FemtoClock™ circuit clock multiplication control input. When HIGH, selects 28. When LOW, selects 32. LVCMOS/LVTTL interface levels.
38,	V _{CCO_PECL}	Power		Output power supply pin for LVPECL clock outputs.
39, 40	QA, nQA	Output		Differential clock output pair. LVPECL interface levels.
42, 43	QB, nQB	Output		Differential clock output pair. LVPECL interface levels.
44	V _{CCO_CMOS}	Power		Output power supply pin for LVCMOS outputs.
45	LOCK	Output		Lock detect output. LVCMOS/LVTTL interface levels.
46	VCLK	Output		VCXO PLL clock output. LVCMOS/LVTTL interface levels.
47	REF_CLK	Output		Reference clock output. LVCMOS/LVTTL interface levels.

NOTE: *Pullup* and *Pulldown* refer to internal input resistors. See Table 2, Pin Characteristics, for typical values.



Integrated
Circuit
Systems, Inc.

PRELIMINARY

ICS843002-31
700MHz FEMTOCLOCKS™ VCXO BASED
FREQUENCY TRANSLATOR AND JITTER ATTENUATOR

TABLE 1. PIN DESCRIPTIONS (CONTINUED FROM PREVIOUS PAGE)

Number	Name	Type		Description
49, 50, 51, 52, 53, 54, 55, 56, 57, 58, 59, 60	XOFB12:XOFB1	Input	Pulldown	VCXO feedback divider control input. LVC MOS/LVTTL interface levels.
61	XOFB0	Input	Pullup	VCXO feedback divider control input. LVC MOS/LVTTL interface levels.
62, 63	XTAL_OUT, XTAL_IN	Input		VCXO crystal oscillator interface. XTAL_IN is the input. XTAL_OUT is the output.
64	V _{CCA_XO}	Power		Analog power supply pin for VCXO.

NOTE: *Pullup* and *Pulldown* refer to internal input resistors. See Table 2, Pin Characteristics, for typical values.

TABLE 2. PIN CHARACTERISTICS

Symbol	Parameter	Test Conditions	Minimum	Typical	Maximum	Units
C _{IN}	Input Capacitance			4		pF
C _{PD}	Power Dissipation Capacitance (per LVC MOS output)	V _{CC} , V _{CCA} , V _{CCA_XO} , V _{CCO_CMOS} , V _{CCO_PECL} = 3.465V		TBD		pF
R _{PULLUP}	Input Pullup Resistor			51		kΩ
R _{PULLDOWN}	Input Pulldown Resistor			51		kΩ
R _{OUT}	Output Impedance			7		Ω



SECTION 1. FREQUENCY TRANSLATION

The ICS843002-31 is a two stage device, a VCXO PLL stage followed by a low phase noise FemtoClock multiplier stage. The VCXO uses a pullable crystal to lock to the reference clock and can provide an output frequency up to 25MHz on the single-ended VCLK output. For higher frequencies, the low phase noise FemtoClock can multiply the VCXO PLL output clock up to 700MHz on 2 differential LVPECL output pairs (QA/nQA, QB/nQB).

The VCXO PLL stage has a 13-bit input divider and a 13-bit feedback divider to generate large integer ratios needed for some frequency translation applications. When configuring the device is to use pullable crystals in the 17.5MHz – 25MHz range on the VCXO PLL stage, and ensure that the FemtoClock PLL is kept within its range of 560MHz to 700MHz.

Below are 3 examples:

1. 8kHz to 622.08MHz and 155.52MHz

This frequency translation requires use of both the VCXO PLL and the FemtoClock circuit. The VCXO PLL can be used to multiply up to 19.44MHz for use as a reference clock for the FemtoClock which will do the multiplication from 19.44MHz to 622.08MHz.

- ➔ Using a 19.44MHz pullable crystal on XTAL_IN/XTAL_OUT, set the VCXO PLL feedback divider pins, XOFB[12:0], to 2430. This multiplies the 8kHz reference clock to 19.44MHz.
- ➔ Set the FemtoClock multiplication control pin, MP, to 0 which sets the multiplication factor to 32. This sets the FemtoClock VCO to 622.08MHz.
- ➔ Set the QA/nQA output divider control pins, NPA[2:0] = 000 for divide by 1. This sets the QA/nQA LVPECL output pair for 622.08MHz.

- ➔ Set the QB/nQB output divider control pins, NPB[2:0] = 010 for divide by 4. This sets the QB/nQB LVPECL output pair for 155.52MHz.

2. T1 to T3. (1.544MHz to two 44.736MHz outputs)

Since 44.736MHz is slightly higher than the maximum VCXO output frequency, the FemtoClock circuit will have to be used.

- ➔ Using a pullable 22.368MHz on XTAL_IN/XTAL_OUT, set the VCXO PLL feedback divider pins, XOFB[12:0] to 2796 and the input divider pins, XOIN[12:0] to 193. This multiplies the 1.544MHz reference to 22.368MHz ($1.544\text{MHz} * 2796/193 = 22.368\text{MHz}$).
- ➔ Set the FemtoClock multiplication control pin, MP, to 28 which sets the VCO at 626.304MHz.
- ➔ Set the QA/nQA output divider control pins, NPA[2:0] = 101 for divide by 14. This sets the QA/nQA LVPECL output pair for 44.736MHz.
- ➔ Set the QB/nQB output divider control pins, NPB[2:0] = 000 for divide by 1. This sets the QB/nQB LVPECL output pair for 44.736MHz.

3. T1 to E1. (1.544MHz to two 2.048MHz outputs)

The 2.048MHz output frequency requirement is low enough that the FemtoClock circuit is not required. Only the VCXO stage is used for this frequency translation.

- ➔ Using a pullable 24.576MHz on XTAL_IN/XTAL_OUT, set the VCXO PLL feedback divider pins, XOFB[12:0] to 3072 and the input divider pins, XOIN[12:0] to 193. This multiplies the 1.544MHz reference to 2.048MHz ($1.544\text{MHz} * 3072/193 = 24.576\text{MHz}$).
- ➔ Set the VCXO PLL Output Divider control pins, NV[1:0] = 01 for /12. This divides the 24.576MHz VCXO PLL frequency down to 2.048MHz.

SECTION 2. FREQUENCY CONFIGURATION

The Frequency Configuration Table Examples (see the following pages) are intended to show the most common frequency translation requirements. It is sorted in order of descending input frequency. It is not intended to be an exhaustive configuration table because that would be impractical with almost 3 billion possible configurations. As far as configuration is concerned, frequencies $\leq 25\text{MHz}$ can be generated with the VCXO PLL while frequencies $> 25\text{MHz}$ require the use of the downstream FemtoClock which can multiply the VCXO PLL output up to 700MHz. Complex integer ratios are handled with the VCXO PLL stage and the FemtoClock circuit can be configured to multiply the VCXO PLL output by 32 or 28. The following example will illustrate the configuration process.

Assume you have a 1.544MHz T1 clock which needs to be multiplied up to 622.08MHz (OC12). Obviously, the FemtoClock multiplier will be needed to achieve 622.08MHz. Since the FemtoClock has a selectable multiplication factor

of 28 or 32, this means there are 2 viable VCXO PLL crystal choices which fall within its 17.5MHz – 15MHz range: 22.217143MHz (/28 feedback divider) or 19.44MHz (/32 feedback divider). Use of the /28 feedback divider for the FemtoClock multiplier will give slightly better phase noise, but in this case $22.217143/1.544$ cannot be exactly achieved with the 13-bit input and feedback VCXO PLL dividers. Using the x32 setting of the FemtoClock allows a ratio of $19.44/1.544 = 2430/193$ which is easily achievable. So the FemtoClock would be set for x32 and a 19.44MHz crystal would be used. The VCXO PLL input divider would be set for 193 and the VCXO PLL feedback divider would be set for 2430. To double check the solution, perform the following calculation: $1.544 * 2430 * 32/193 = 622.08\text{MHz}$.

The 2nd FemtoClock multiplier output, QB/nQB, can be set to equal the QA/nQA output frequency or a fraction of its frequency. The following fractional values are available: /1, /2, /4, /8.



Integrated
Circuit
Systems, Inc.

PRELIMINARY

ICS843002-31
700MHz FEMTOCLOCKS™ VCXO BASED
FREQUENCY TRANSLATOR AND JITTER ATTENUATOR

TABLE 3A. FREQUENCY CONFIGURATION EXAMPLES, CONTINUED ON NEXT PAGE

Input Frequency (MHz)	Output Frequency (MHz)	VCXO or FemtoClock Output	Required VCXO Crystal Frequency (MHz)	VCXO Input Divider	VCXO Feedback Divider	VCXO Output Divider	FemtoClock Multiplication Factor	FemtoClock Output Frequency (MHz)	FemtoClock Output Divider	Application
622.08	622.08	FemtoClock Output	19.44	32	1	N/A	32	622.08	1	622.08 -> 622.08 (OC12)
622.08	311.04	FemtoClock Output	19.44	32	1	N/A	32	622.08	2	622.08 -> 311.04 (SONET)
622.08	155.52	FemtoClock Output	19.44	32	1	N/A	32	622.08	4	622.08 -> 155.52 (OC12 to OC3)
622.08	77.76	FemtoClock Output	19.44	32	1	N/A	32	622.08	8	622.08 -> 77.76 (SONET)
622.08	51.84	FemtoClock Output	19.44	32	1	N/A	32	622.08	12	622.08 -> 51.84 (OC12 to OC1)
622.08	38.88	FemtoClock Output	19.44	32	1	N/A	32	622.08	16	622.08 -> 38.88 (SONET)
622.08	19.44	VCXO Output	19.44	32	1	1	N/A	N/A	N/A	622.08 -> 19.44 (SONET)
622.08	44.736	FemtoClock Output	22.368	6480	233	N/A	28	626.304	14	622.08 -> 44.736 (OC12 to T3)
622.08	34.368	VCXO Output	34.368	3240	179	1	N/A	N/A	N/A	622.08 -> 34.368 (OC12 to E3)
622.08	32.064	VCXO Output	32.064	3240	167	1	N/A	N/A	N/A	622.08 -> 32.064 (OC12 to J3)
622.08	2.048	VCXO Output	24.576	405	16	12	N/A	N/A	N/A	622.08 -> 2.048 (OC12 to E1)
622.08	1.544	VCXO Output	24.704	4860	193	16	N/A	N/A	N/A	622.08 -> 1.544 (OC12 to T1/J1)
311.04	311.04	FemtoClock Output	19.44	16	1	N/A	32	622.08	2	311.04 -> 311.04 (SONET)
311.04	155.52	FemtoClock Output	19.44	16	1	N/A	32	622.08	4	311.04 -> 155.52 (SONET)
311.04	77.76	FemtoClock Output	19.44	16	1	N/A	32	622.08	8	311.04 -> 77.76 (SONET)
311.04	51.84	FemtoClock Output	19.44	16	1	N/A	32	622.08	12	311.04 -> 51.84 (SONET)
311.04	38.88	FemtoClock Output	19.44	16	1	N/A	32	622.08	16	311.04 -> 38.88 (SONET)
311.04	19.44	VCXO Output	19.44	16	1	1	N/A	N/A	N/A	311.04 -> 19.44 (SONET)
311.04	622.08	FemtoClock Output	19.44	16	1	1	32	622.08	1	311.04 -> 622.08 (SONET)
311.04	622.08	FemtoClock Output	19.44	16	1	1	32	622.08	1	311.04 -> 622.08 (SONET)
311.04	44.736	FemtoClock Output	22.368	3240	233	1	28	626.304	14	311.04 -> 44.736 (SONET to T3)
311.04	34.368	VCXO Output	34.368	1620	179	1	N/A	N/A	N/A	311.04 -> 34.368 (SONET to E3)
311.04	32.064	VCXO Output	32.064	1620	167	1	N/A	N/A	N/A	311.04 -> 32.064 (SONET to J3)
311.04	2.048	VCXO Output	24.576	405	32	12	N/A	N/A	N/A	311.04 -> 2.048 (SONET to E1)
311.04	1.544	VCXO Output	24.704	2430	193	16	N/A	N/A	N/A	311.04 -> 1.544 (SONET to T1/J1)
155.52	155.52	FemtoClock Output	19.44	8	1	N/A	32	622.08	4	155.52 -> 155.52 (OC3)
155.52	77.76	FemtoClock Output	19.44	8	1	N/A	32	622.08	8	155.52 -> 77.76 (SONET)
155.52	51.84	FemtoClock Output	19.44	8	1	N/A	32	622.08	12	155.52 -> 51.84 (OC3 to OC1)
155.52	38.88	FemtoClock Output	19.44	8	1	N/A	32	622.08	16	155.52 -> 38.88 (SONET)
155.52	19.44	VCXO Output	19.44	8	1	1	N/A	N/A	N/A	155.52 -> 19.44 (SONET)
155.52	311.04	FemtoClock Output	19.44	8	1	N/A	32	622.08	2	155.52 -> 311.04 (SONET)



Integrated
Circuit
Systems, Inc.

PRELIMINARY

ICS843002-31
700MHz FEMTOCLOCKS™ VCXO BASED
FREQUENCY TRANSLATOR AND JITTER ATTENUATOR

TABLE 3A. FREQUENCY CONFIGURATION EXAMPLES, CONTINUED ON NEXT PAGE

Input Frequency (MHz)	Output Frequency (MHz)	VCXO or FemtoClock Output	Required VCXO Crystal Frequency (MHz)	VCXO Input Divider	VCXO Feedback Divider	VCXO Output Divider	FemtoClock Multiplication Factor	FemtoClock Output Frequency (MHz)	FemtoClock Output Divider	Application
155.52	622.08	FemtoClock Output	19.44	8	1	N/A	32	622.08	1	155.52 -> 622.08 (OC3 to OC12)
155.52	44.736	FemtoClock Output	22.368	1620	233	N/A	28	626.304	14	155.52 -> 44.736 (OC3 to T3)
155.52	34.368	VCXO Output	34.368	810	179	1	N/A	N/A	N/A	155.52 -> 34.368 (OC3 to E3)
155.52	32.064	VCXO Output	32.064	810	167	1	N/A	N/A	N/A	155.52 -> 32.064 (OC3 to J3)
155.52	2.048	VCXO Output	24.576	405	64	12	N/A	N/A	N/A	155.52 -> 2.048 (OC3 to E1)
155.52	1.544	VCXO Output	24.704	1215	193	16	N/A	N/A	N/A	155.52 -> 1.544 (OC3 to T1/J1)
77.76	77.76	FemtoClock Output	19.44	4	1	N/A	32	622.08	8	77.76 -> 77.76 (SONET)
77.76	51.84	FemtoClock Output	19.44	4	1	N/A	32	622.08	12	77.76 -> 51.84 (SONET)
77.76	38.88	FemtoClock Output	19.44	4	1	N/A	32	622.08	16	77.76 -> 38.88 (SONET)
77.76	19.44	VCXO Output	19.44	4	1	1	N/A	N/A	N/A	77.76 -> 19.44 (SONET)
77.76	155.52	FemtoClock Output	19.44	4	1	N/A	32	622.08	4	77.76 -> 155.52 (SONET)
77.76	311.04	FemtoClock Output	19.44	4	1	N/A	32	622.08	2	77.76 -> 311.04 (SONET)
77.76	622.08	FemtoClock Output	19.44	4	1	N/A	32	622.08	1	77.76 -> 622.08 (SONET)
77.76	44.736	FemtoClock Output	22.368	810	233	N/A	28	626.304	14	77.76 -> 44.736 (SONET to T3)
77.76	34.368	VCXO Output	34.368	405	179	1	N/A	N/A	N/A	77.76 -> 34.368 (SONET to E3)
77.76	32.064	VCXO Output	32.064	405	167	1	N/A	N/A	N/A	77.76 -> 32.064 (SONET to J3)
77.76	2.048	VCXO Output	24.576	405	128	12	N/A	N/A	N/A	77.76 -> 2.048 (SONET to E1)
77.76	1.544	VCXO Output	24.704	1215	386	16	N/A	N/A	N/A	77.76 -> 1.544 (SONET to T1/J1)
51.84	51.84	FemtoClock Output	19.44	8	3	N/A	32	622.08	12	51.84 -> 51.84 (SONET)
51.84	38.88	FemtoClock Output	19.44	8	3	N/A	32	622.08	16	51.84 -> 38.88 (SONET)
51.84	19.44	VCXO Output	19.44	8	3	1	N/A	N/A	N/A	51.84 -> 19.44 (SONET)
51.84	77.76	FemtoClock Output	19.44	8	3	N/A	32	622.08	8	51.84 -> 77.76 (SONET)
51.84	155.52	FemtoClock Output	19.44	8	3	N/A	32	622.08	4	51.84 -> 155.52 (OC1 to OC3)
51.84	311.04	FemtoClock Output	19.44	8	3	N/A	32	622.08	2	51.84 -> 311.04 (SONET)
51.84	622.08	FemtoClock Output	19.44	8	3	N/A	32	622.08	1	51.84 -> 622.08 (OC1 to OC12)
51.84	44.736	FemtoClock Output	22.368	540	233	N/A	28	626.304	14	51.84 -> 44.736 (OC1 to T3)
51.84	34.368	VCXO Output	34.368	270	179	1	N/A	N/A	N/A	51.84 -> 34.368 (OC1 to E3)
51.84	32.064	VCXO Output	32.064	270	167	1	N/A	N/A	N/A	51.84 -> 32.064 (OC1 to J3)
51.84	2.048	VCXO Output	24.576	135	64	12	N/A	N/A	N/A	51.84 -> 2.048 (OC1 to E1)
51.84	1.544	VCXO Output	24.704	405	193	16	N/A	N/A	N/A	51.84 -> 1.544 (OC1 to T1/J1)
44.736	44.736	FemtoClock Output	22.368	2	1	1	28	626.304	14	44.736 -> 44.736 (T3)



Integrated
Circuit
Systems, Inc.

PRELIMINARY

ICS843002-31
700MHz FEMTOCLOCKS™ VCXO BASED
FREQUENCY TRANSLATOR AND JITTER ATTENUATOR

TABLE 3A. FREQUENCY CONFIGURATION EXAMPLES, CONTINUED ON NEXT PAGE

Input Frequency (MHz)	Output Frequency (MHz)	VCXO or FemtoClock Output	Required VCXO Crystal Frequency (MHz)	VCXO Input Divider	VCXO Feedback Divider	VCXO Output Divider	FemtoClock Multiplication Factor	FemtoClock Output Frequency (MHz)	FemtoClock Output Divider	Application
44.736	1.544	VCXO Output	24.704	699	386	16	N/A	N/A	N/A	44.736 -> 1.544 (T3 to T1/J1)
44.736	2.048	VCXO Output	24.576	233	128	12	N/A	N/A	N/A	44.736 -> 2.048 (T3 to E1)
44.736	19.44	VCXO Output	19.44	932	405	1	N/A	N/A	N/A	44.736 -> 19.44 (T3 to SONET)
44.736	32.064	VCXO Output	32.064	233	167	1	N/A	N/A	N/A	44.736 -> 32.064 (T3 to J3)
44.736	34.368	VCXO Output	34.368	233	179	1	N/A	N/A	N/A	44.736 -> 34.368 (T3 to E3)
44.736	38.88	FemtoClock Output	19.44	932	405	N/A	32	622.08	16	44.736 -> 38.88 (T3 to SONET)
44.736	51.84	FemtoClock Output	19.44	932	405	N/A	32	622.08	12	44.736 -> 51.84 (T3 to OC1)
44.736	77.76	FemtoClock Output	19.44	932	405	N/A	32	622.08	8	44.736 -> 77.76 (T3 to SONET)
44.736	155.52	FemtoClock Output	19.44	932	405	N/A	32	622.08	4	44.736 -> 155.52 (T3 to OC3)
44.736	311.04	FemtoClock Output	19.44	932	405	N/A	32	622.08	2	44.736 -> 311.04 (T3 to SONET)
44.736	622.08	FemtoClock Output	19.44	932	405	N/A	32	622.08	1	44.736 -> 622.08 (T3 to OC12)
38.88	38.88	FemtoClock Output	19.44	2	1	N/A	32	622.08	16	38.88 -> 38.88 (SONET)
38.88	19.44	VCXO Output	19.44	2	1	1	N/A	N/A	N/A	38.88 -> 19.44 (SONET)
38.88	77.76	FemtoClock Output	19.44	2	1	N/A	32	622.08	8	38.88 -> 77.76 (SONET)
38.88	155.52	FemtoClock Output	19.44	2	1	N/A	32	622.08	4	38.88 -> 155.52 (SONET to OC3)
38.88	311.04	FemtoClock Output	19.44	2	1	N/A	32	622.08	2	38.88 -> 311.04 (SONET)
38.88	622.08	FemtoClock Output	19.44	2	1	N/A	32	622.08	1	38.88 -> 622.08 (SONET to OC12)
38.88	44.736	FemtoClock Output	22.368	405	233	N/A	28	626.304	14	38.88 -> 44.736 (SONET to T3)
38.88	34.368	VCXO Output	34.368	405	358	1	N/A	N/A	N/A	38.88 -> 34.368 (SONET to E3)
38.88	32.064	VCXO Output	32.064	405	334	1	N/A	N/A	N/A	38.88 -> 32.064 (SONET TO J3)
38.88	2.048	VCXO Output	24.576	405	256	12	N/A	N/A	N/A	38.88 -> 2.048 (SONET to E1)
38.88	1.544	VCXO Output	24.704	1215	772	16	N/A	N/A	N/A	38.88 -> 1.544 (SONET to DS1/J1)
34.368	34.368	VCXO Output	34.368	1	1	1	N/A	N/A	N/A	34.368 -> 34.368 (E3)
34.368	44.736	FemtoClock Output	22.368	358	233	N/A	28	626.304	14	34.368 -> 44.736 (E3 to T3)
34.368	32.064	VCXO Output	32.064	179	167	1	N/A	N/A	N/A	34.368 -> 32.064 (E3 to J3)
34.368	19.44	VCXO Output	19.44	716	405	1	N/A	N/A	N/A	34.368 -> 19.44 (E3 to SONET)
34.368	2.048	VCXO Output	24.576	179	128	12	N/A	N/A	N/A	34.368 -> 2.048 (E3 to E1)
34.368	1.544	VCXO Output	24.704	537	386	16	N/A	N/A	N/A	34.368 -> 1.544 (E3 to T1)
32.064	32.064	VCXO Output	32.064	1	1	1	N/A	N/A	N/A	32.064 -> 32.064 (J3)
32.064	34.368	VCXO Output	34.368	167	179	1	N/A	N/A	N/A	32.064 -> 34.368 (J3 to E3)
32.064	44.736	FemtoClock Output	22.368	334	233	N/A	28	626.304	14	32.064 -> 44.736 (J3 to T3)



Integrated
Circuit
Systems, Inc.

PRELIMINARY

ICS843002-31
700MHz FEMTOCLOCKS™ VCXO BASED
FREQUENCY TRANSLATOR AND JITTER ATTENUATOR

TABLE 3A. FREQUENCY CONFIGURATION EXAMPLES, CONTINUED ON NEXT PAGE

Input Frequency (MHz)	Output Frequency (MHz)	VCXO or FemtoClock Output	Required VCXO Crystal Frequency (MHz)	VCXO Input Divider	VCXO Feedback Divider	VCXO Output Divider	FemtoClock Multiplication Factor	FemtoClock Output Frequency (MHz)	FemtoClock Output Divider	Application
32.064	2.048	VCXO Output	24.576	167	128	12	N/A	N/A	N/A	32.064 -> 2.048 (J3 to E1)
32.064	1.544	VCXO Output	24.704	501	386	16	N/A	N/A	N/A	32.064 -> 1.544 (J3 to T1)
19.44	19.44	VCXO Output	19.44	1	1	1	N/A	N/A	N/A	19.44 -> 19.44 (SONET)
19.44	38.88	FemtoClock Output	19.44	1	1	N/A	32	622.08	16	19.44 -> 38.88 (SONET)
19.44	51.84	FemtoClock Output	19.44	1	1	N/A	32	622.08	12	19.44 -> 51.84 (SONET to OC1)
19.44	77.76	FemtoClock Output	19.44	1	1	N/A	32	622.08	8	19.44 -> 77.76 (SONET)
19.44	155.52	FemtoClock Output	19.44	1	1	N/A	32	622.08	4	19.44 -> 155.52 (SONET to OC3)
19.44	311.04	FemtoClock Output	19.44	1	1	N/A	32	622.08	2	19.44 -> 311.04 (SONET)
19.44	622.08	FemtoClock Output	19.44	1	1	N/A	32	622.08	1	19.44 -> 622.08 (SONET to OC12)
19.44	44.736	FemtoClock Output	22.368	405	466	N/A	28	626.304	14	19.44 -> 44.736 (SONET to T3)
19.44	34.368	VCXO Output	34.368	405	716	1	N/A	N/A	N/A	19.44 -> 34.368 (SONET to E3)
19.44	32.064	VCXO Output	32.064	405	668	1	N/A	N/A	N/A	19.44 -> 32.064 (SONET to J3)
19.44	2.048	VCXO Output	24.576	405	512	12	N/A	N/A	N/A	19.44 -> 2.048 (SONET to E1)
19.44	1.544	VCXO Output	24.704	1215	1544	16	N/A	N/A	N/A	19.44 -> 1.544 (SONET to T1/J1)
19.44	666.5142857	FemtoClock Output	20.82857143	14	15	N/A	32	666.5142857	1	19.44 -> 666.5142857 (255/238 FEC)
19.44	669.3265823	FemtoClock Output	20.9164557	79	85	N/A	32	669.3265823	1	19.44 -> 669.3265823 (255/237 FEC)
19.44	672.1627119	FemtoClock Output	21.00508475	236	255	N/A	32	672.1627119	1	19.44 -> 672.1627119 (255/236 FEC)
2.048	2.048	VCXO Output	24.576	1	12	12	N/A	N/A	N/A	2.048 -> 2.048 (E1)
2.048	1.544	VCXO Output	24.704	16	193	16	N/A	N/A	N/A	2.048 -> 1.544 (E1 to T1/J1)
2.048	34.368	VCXO Output	34.368	32	537	1	N/A	N/A	N/A	2.048 -> 34.368 (E1 to E3)
2.048	32.064	VCXO Output	32.064	32	501	1	N/A	N/A	N/A	2.048 -> 32.064 (E1 to J3)
2.048	44.736	FemtoClock Output	22.368	64	699	N/A	28	626.304	14	2.048 -> 44.736 (E1 to T3)
1.544	1.544	VCXO Output	24.704	1	16	16	N/A	N/A	N/A	1.544 -> 1.54 (T1/J1)
1.544	2.048	VCXO Output	24.576	193	3072	12	N/A	N/A	N/A	1.544 -> 2.048 (T1 to E1)
1.544	32.064	VCXO Output	32.064	193	4008	1	N/A	N/A	N/A	1.544 -> 32.064 (T1/J1 to J3)
1.544	34.368	VCXO Output	34.368	193	4296	1	N/A	N/A	N/A	1.544 -> 34.368 (T1/J1 to E3)
1.544	44.736	FemtoClock Output	22.368	193	2796	N/A	28	626.304	14	1.544 -> 44.736 (T1/J1 to T3)
0.008	1.544	VCXO Output	24.704	1	3088	16	N/A	N/A	N/A	8KHz -> 1.544MHz (Frame Clock to T1)
0.008	2.048	VCXO Output	24.576	1	3072	12	N/A	N/A	N/A	8KHz -> 2.048MHz (Frame Clock to E1)
0.008	19.44	VCXO Output	19.44	1	2430	1	N/A	N/A	N/A	8KHz -> 19.44MHz (Frame Clock to SONET)
0.008	32.064	VCXO Output	32.064	1	4008	1	N/A	N/A	N/A	8KHz -> 32.064MHz (Frame Clock to J3)



Integrated
Circuit
Systems, Inc.

PRELIMINARY

ICS843002-31
700MHz FEMTOCLOCKS™ VCXO BASED
FREQUENCY TRANSLATOR AND JITTER ATTENUATOR

TABLE 3A. FREQUENCY CONFIGURATION EXAMPLES

Input Frequency (MHz)	Output Frequency (MHz)	VCXO or FemtoClock Output	Required VCXO Crystal Frequency (MHz)	VCXO Input Divider	VCXO Feedback Divider	VCXO Output Divider	FemtoClock Multiplication Factor	FemtoClock Output Frequency (MHz)	FemtoClock Output Divider	Application
0.008	34.368	VCXO Output	34.368	1	4296	1	N/A	N/A	N/A	8KHz -> 34.368MHz (Frame Clock to E3)
0.008	44.736	FemtoClock Output	22.368	1	2796	1	28	626.304	14	8KHz -> 44.736MHz (Frame Clock to T3)
0.008	38.88	FemtoClock Output	19.44	1	2430	N/A	32	622.08	16	8KHz -> 38.88MHz (Frame Clock to SONET)
0.008	77.76	FemtoClock Output	19.44	1	2430	N/A	32	622.08	8	8KHz -> 77.76MHz (Frame Clock to SONET)
0.008	155.52	FemtoClock Output	19.44	1	2430	N/A	32	622.08	4	8KHz -> 155.52MHz (Frame Clock to OC3)
0.008	311.04	FemtoClock Output	19.44	1	2430	N/A	32	622.08	2	8KHz -> 311.04MHz (Frame Clock to SONET)
0.008	622.08	FemtoClock Output	19.44	1	2430	N/A	32	622.08	1	8KHz -> 622.08MHz (Frame Clock to OC12)



Integrated
Circuit
Systems, Inc.

PRELIMINARY

ICS843002-31
700MHz FEMTOCLOCKS™ VCXO BASED
FREQUENCY TRANSLATOR AND JITTER ATTENUATOR

ABSOLUTE MAXIMUM RATINGS

Supply Voltage, V_{CC}	4.6V
Inputs, V_I	-0.5V to $V_{CC} + 0.5V$
Outputs, V_O (LVCMOS)	-0.5V to $V_{CCO} + 0.5V$
Outputs, I_O (LVPECL)	
Continuous Current	50mA
Surge Current	100mA
Package Thermal Impedance, θ_{JA}	22.3°C/W (0 lfpm)
Storage Temperature, T_{STG}	-65°C to 150°C

NOTE: Stresses beyond those listed under Absolute Maximum Ratings may cause permanent damage to the device. These ratings are stress specifications only. Functional operation of product at these conditions or any conditions beyond those listed in the *DC Characteristics* or *AC Characteristics* is not implied. Exposure to absolute maximum rating conditions for extended periods may affect product reliability.

TABLE 4A. POWER SUPPLY DC CHARACTERISTICS, $V_{CC} = V_{CCA} = V_{CCA_XO} = V_{CCO_CMOS} = V_{CCO_PECL} = 3.3V \pm 5\%$, $T_A = 0^\circ C$ TO $70^\circ C$

Symbol	Parameter	Test Conditions	Minimum	Typical	Maximum	Units
V_{CC}	Core Supply Voltage		3.135	3.3	3.465	V
V_{CCA}, V_{CCA_XO}	Analog Supply Voltage		3.135	3.3	3.465	V
$V_{CCO_CMOS}, V_{CCO_PECL}$	Output Supply Voltage		3.135	3.3	3.465	V
I_{EE}	Power Supply Current			395		mA
I_{CCA}	Analog Supply Current			15		mA

TABLE 4B. LVCMOS / LVTTL DC CHARACTERISTICS, $V_{CC} = V_{CCA} = V_{CCA_XO} = V_{CCO_CMOS} = 3.3V \pm 5\%$, $T_A = 0^\circ C$ TO $70^\circ C$

Symbol	Parameter	Test Conditions	Minimum	Typical	Maximum	Units
V_{IH}	Input High Voltage		2		$V_{CC} + 0.3$	V
V_{IL}	Input Low Voltage		-0.3		0.8	V
I_{IH}	Input High Current	MP, MR, OE_REF, SEL0, SEL1, XOIN[12:1], NPA[2:0], NPB[2:0], CLK1, CLK2, XOFB[12:1]	$V_{CC} = V_{IN} = 3.465V$		150	μA
		NV0, NV1, XOIN0, XOFB0	$V_{CC} = V_{IN} = 3.465V$		5	μA
I_{IL}	Input Low Current	MP, MR, OE_REF, SEL0, SEL1, XOIN[12:1], NPA[2:0], NPB[2:0], CLK1, CLK2, XOFB[12:1]	$V_{CC} = 3.465V,$ $V_{IN} = 0V$	-5		μA
		NV0, NV1, XOIN0, XOFB0	$V_{CC} = 3.465V,$ $V_{IN} = 0V$	-150		μA
V_{OH}	Output High Voltage	REF_CLK, VCLK, LOCK; NOTE 1	2.6			V
V_{OL}	Output Low Voltage	REF_CLK, VCLK, LOCK; NOTE 1			0.5	V

NOTE 1: Outputs terminated with 50Ω to $V_{CCO_CMOS}/2$.



Integrated
Circuit
Systems, Inc.

PRELIMINARY

ICS843002-31
700MHz FEMTOCLOCKS™ VCXO BASED
FREQUENCY TRANSLATOR AND JITTER ATTENUATOR

TABLE 4C. DIFFERENTIAL DC CHARACTERISTICS, $V_{CC} = V_{CCA} = V_{CCA_XO} = V_{CCO_CMOS} = V_{CCO_PECL} = 3.3V \pm 5\%$, $T_A = 0^\circ C$ TO $70^\circ C$

Symbol	Parameter	Test Conditions	Minimum	Typical	Maximum	Units
I_{IH}	Input High Current	CLK0	$V_{IN} = V_{CC} = 3.465V$		150	μA
		nCLK0	$V_{IN} = V_{CC} = 3.465V$		5	μA
I_{IL}	Input Low Current	CLK0	$V_{IN} = 0V, V_{CC} = 3.465V$	-150		μA
		nCLK0	$V_{IN} = 0V, V_{CC} = 3.465V$	-5		μA
V_{PP}	Peak-to-Peak Input Voltage		0.15		1.3	V
V_{CMR}	Common Mode Input Voltage; NOTE 1, 2		$V_{EE} + 0.5$		$V_{CC} - 0.85$	V

NOTE 1: Common mode voltage is defined as V_{IH} .

NOTE 2: For single ended applications, the maximum input voltage for CLK0, nCLK0 is $V_{CC} + 0.3V$.

TABLE 4D. LVPECL DC CHARACTERISTICS, $V_{CC} = V_{CCA} = V_{CCA_XO} = V_{CCO_PECL} = 3.3V \pm 5\%$, $T_A = 0^\circ C$ TO $70^\circ C$

Symbol	Parameter	Test Conditions	Minimum	Typical	Maximum	Units
V_{OH}	Output High Voltage; NOTE 1		$V_{CCO} - 1.4$		$V_{CCO} - 0.9$	V
V_{OL}	Output Low Voltage; NOTE 1		$V_{CCO} - 2.0$		$V_{CCO} - 1.7$	V
V_{SWING}	Peak-to-Peak Output Voltage Swing		0.6		1.0	V

NOTE 1: Outputs terminated with 50Ω to $V_{CCO_PECL} - 2V$. See "Parameter Measurement Information" section, "3.3V Output Load Test Circuit".

TABLE 5. CRYSTAL CHARACTERISTICS

Symbol	Parameter	Test Conditions	Minimum	Typical	Maximum	Units
f_N	Nominal Frequency			19.44		MHz
f_T	Frequency Tolerance				$\pm TBD$	ppm
f_S	Frequency Stability				$\pm TBD$	ppm
	Operating Temperature Range		0		70	$^\circ C$
C_L	Load Capacitance			12		pF
C_O	Shunt Capacitance			4		pF
C_O/C_1	Pullability Ratio			220	240	
ESR	Equivalent Series Resistance				50	Ω
	Drive Level				1	mW
	Mode of Operation		Fundamental			



Integrated
Circuit
Systems, Inc.

PRELIMINARY

ICS843002-31
700MHz FEMTOCLOCKS™ VCXO BASED
FREQUENCY TRANSLATOR AND JITTER ATTENUATOR

TABLE 6. AC CHARACTERISTICS, $V_{CC} = V_{CCA} = V_{CCA_XO} = V_{CCO_CMOS} = V_{CCO_PECL} = 3.3V \pm 5\%$, $T_A = 0^\circ C$ TO $70^\circ C$

Symbol	Parameter	Test Conditions	Minimum	Typical	Maximum	Units
f_{OUT}	Output Frequency	QA/nQA	35		700	MHz
		QB/nQB	4.375		700	MHz
		VCLK	1.1875		25	MHz
		REF_CLK			200	MHz
$t_{(j)}$	Timing Jitter	OC-48 mask (12kHz - 20MHz) 19.44MHz input, into CLK0 622.08MHz output; NOTE 1, 2	Random jitter	1.3		ps
			Deterministic jitter	0.75		ps
			Total jitter	1.5		ps
				3.5		mUI
		OC-12 mask (250kHz - 5MHz) 19.44MHz input, into CLK0 155.52MHz output; NOTE 1, 3	Random jitter	1		ps
			Deterministic jitter	0.5		ps
			Total jitter	1.1		ps
				0.7		mUI
		OC-48 mask (12kHz - 20MHz) 8kHz input, into CLK2 622.08MHz output; NOTE 1, 2	Random jitter	1		ps
			Deterministic jitter	0.3		ps
			Total jitter	1.1		ps
				2.7		mUI
		OC-12 mask (250kHz - 5MHz) 8kHz input, into CLK2 155.52MHz output; NOTE 1, 3	Random jitter	0.9		ps
			Deterministic jitter	0.19		ps
			Total jitter	0.9		ps
				0.6		mUI
$t_{(o)}$	Input to Output Clock Skew (rising clock edge)	CLK0/nCLK0 to (QA or QB)	CLK0/nCLK0 = 19.44MHz QA/B = 77.76MHz	2		ns
		CLK0/nCLK0 to VCLK	VCLK = REF_CLK = 19.44MHz;	2		ns
		CLK0/nCLK0 to REF_CLK	NOTES 1, 2, 4	2.5		ns
		CLK1 or CLK2 to QA or QB	CLK1/2 = 8kHz QA/B = 77.76MHz	1		ns
		CLK1 or CLK2 to VCLK	VCLK = REF_CLK = 19.44MHz;	1.5		ns
		CLK1 or CLK2 to REF_CLK	NOTES 1, 3, 5	3		ns
t_R / t_F	Output Rise/Fall Time	20% to 80%	200		700	ps
odc	Output Duty Cycle	QA/QB @ 622.08MHz		50		%
		VCLK, REF_CLK @ 19.44MHz		50		%
t_{LOCK}	PLL Lock Time			100		ms

See Parameter Measurement Information section.

NOTE 1: External crystal is 19.44MHz Eliptek ECX-5451.

NOTE 2: Loop bandwidth (-3dB) = 180Hz; Loop Damping Factor = 5.3 (see Applications Section, Example Loop Filter Component Value, example case #4).

NOTE 3: Loop bandwidth (-3dB) = 19Hz; Loop Damping Factor = 2.8 (see Applications Section, Example Loop Filter Component Value example case #2).

NOTE 4: XOIN = XOFB = NPA = NPB = ± 8 , MP = 0 (x32); NV = ± 1 .

NOTE 5: XOIN = 1; XOFB = 2430; NPA = NPB = ± 8 , MP = 0 (x32); NV = ± 1 .

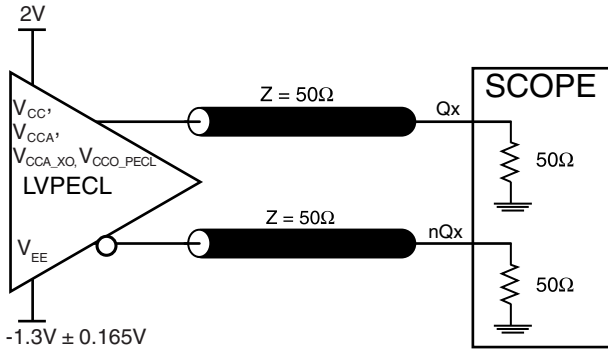


Integrated
Circuit
Systems, Inc.

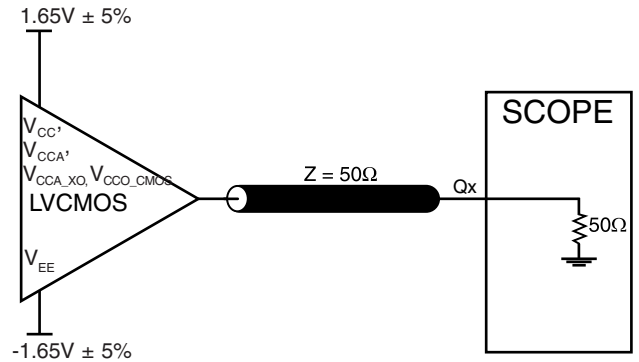
PRELIMINARY

ICS843002-31
700MHz FEMTOCLOCKS™ VCXO BASED
FREQUENCY TRANSLATOR AND JITTER ATTENUATOR

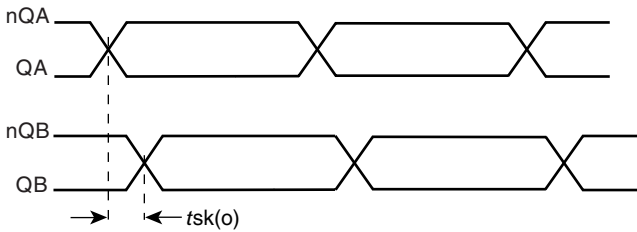
PARAMETER MEASUREMENT INFORMATION



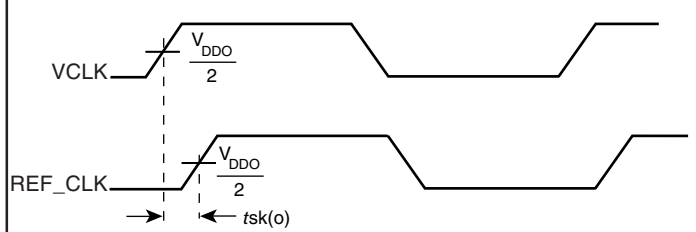
3.3V LVPECL OUTPUT LOAD AC TEST CIRCUIT



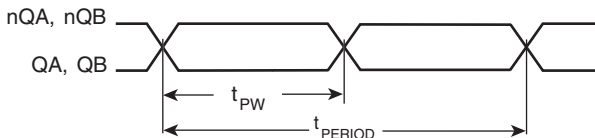
3.3V LVCMOS OUTPUT LOAD AC TEST CIRCUIT



LVPECL OUTPUT SKEW

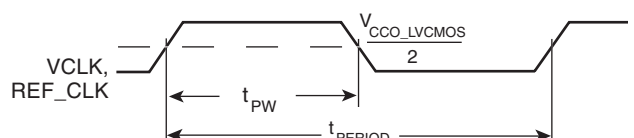


LVCMOS OUTPUT SKEW



$$\text{odc} = \frac{t_{PW}}{t_{PERIOD}} \times 100\%$$

LVPECL OUTPUT DUTY CYCLE/PULSE WIDTH/tPERIOD



$$\text{odc} = \frac{t_{PW}}{t_{PERIOD}} \times 100\%$$

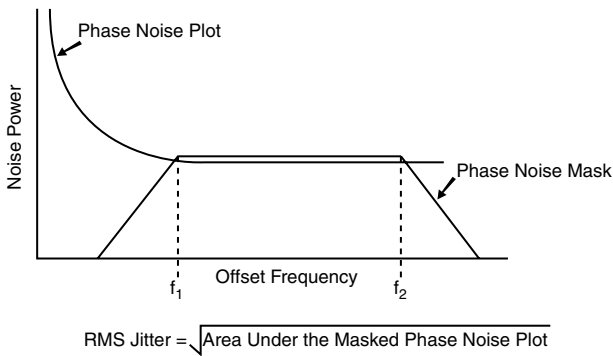
LVCMOS OUTPUT DUTY CYCLE/PULSE WIDTH/tPERIOD



Integrated
Circuit
Systems, Inc.

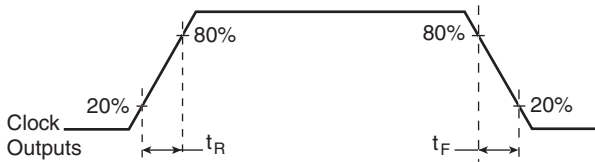
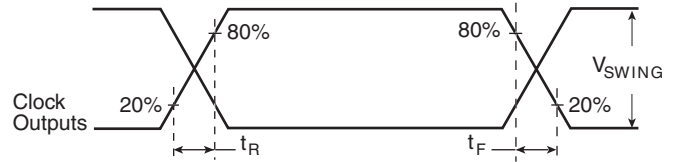
PRELIMINARY

ICS843002-31
700MHz FEMTOCLOCKS™ VCXO BASED
FREQUENCY TRANSLATOR AND JITTER ATTENUATOR



PHASE JITTER

LVPECL OUTPUT RISE/FALL TIME



LVCMOS OUTPUT RISE/FALL TIME



APPLICATION INFORMATION

DESCRIPTION OF THE PLL STAGES

The ICS843002-31 is a two stage frequency multiplication device, a VCXO PLL followed by a low phase noise FemtoClock frequency multiplier. The VCXO uses an external pullable crystal which can be pulled ± 100 ppm by the VCXO PLL circuitry to phase lock it to the input reference frequency. The output frequency of the VCXO PLL is equal to that of the external pullable crystal, which is in the range of 17.5MHz to 25MHz. The loop bandwidth VCXO PLL is typically set in the range of 10-250Hz which provides attenuation of input reference clock jitter. Since the VCXO is a high-Q oscillator circuit, it has low intrinsic output jitter and phase noise. The VCXO PLL output clock is available from the VCLK pin.

The FemtoClock frequency multiplier has an effective control bandwidth of about 800kHz which means it will track the VCXO PLL clock output.

VCXO PLL LOOP RESPONSE CONSIDERATIONS

Loop response characteristics of the VCXO PLL is affected by the setting of the VCXO feedback divider value (XOFB) and by the external loop filter components. A practical range of loop bandwidth for many applications is 25Hz to 1kHz. A bandwidth of less than 10Hz requires careful component selection and possible metal shielding to prevent clock output wander. A damping factor of 0.7 or greater should be used to ensure loop stability. When a passband peaking of <0.1 dB is desired for SONET/SDH loop timing application, the damping factor should be 6 or higher.

A PC base PLL bandwidth calculator is also under development. For assistance with loop filter bandwidth and component selection suggestions, please contact your ICS sales representative.

SETTING THE VCXO PLL LOOP RESPONSE

The VCXO PLL loop response is determined both by fixed device characteristics and by other characteristics set by the user. This includes the values of R_s , C_s , C_p and R_{SET} as shown in the External VCXO PLL Components figure on this page.

The VCXO PLL loop bandwidth is approximated by:

$$NBW (VCXO PLL) = \frac{R_s \times I_{CP} \times K_o}{2\pi \times XOFB \text{ Divider}}$$

WHERE:

R_s = Value of resistor R_s in loop filter in ohms

I_{CP} = Charge pump current in amps (see table on page 17)

K_o = VCXO Gain in Hz/V (see table on page 18)

XOFB Divider = 1 to 8191

The above equation calculates the “normalized” loop bandwidth (denoted as “NBW”) which is approximately equal to the - 3dB bandwidth. NBW does not take into account the effects of damping factor or the second pole imposed by C_p . It does, however, provide a useful approximation of filter performance.

To prevent jitter on VCLK due to modulation of the VCXO PLL by the phase detector frequency, the following general rule should be observed:

$$NBW (VCXO PLL) \leq \frac{f (\text{Phase Detector})}{20}$$

$f (\text{Phase Detector}) = \text{Input Frequency} \div \text{XOIN}$

The PLL loop damping factor (DF) is determined by:

$$DF (VCLK) = \frac{R_s}{2} \times \sqrt{\frac{I_{CP} \times C_s \times K_o}{XOFB \text{ Divider}}}$$

WHERE:

C_s = Value of capacitor C_s in loop filter in farads

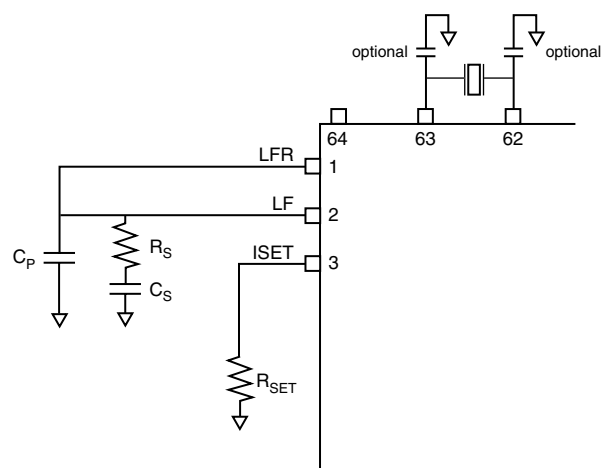


FIGURE 1. EXTERNAL VCXO PLL COMPONENTS



Integrated
Circuit
Systems, Inc.

PRELIMINARY

ICS843002-31 700MHz FEMTOCLOCKS™ VCXO BASED FREQUENCY TRANSLATOR AND JITTER ATTENUATOR

NOTES ON SETTING THE VALUE OF C_p

As another general rule, the following relationship should be maintained between components C_s and C_p in the loop filter:

$$C_p = \frac{C_s}{20}$$

C_p establishes a second pole in the VCXO PLL loop filter. For higher damping factors (> 1), calculate the value of C_p based on a C_s value that would be used for a damping factor of 1. This will minimize baseband peaking and loop instability that can lead to output jitter.

C_p also dampens VCXO PLL input voltage modulation by the charge pump correction pulses. A C_p value that is too low will result in increased output phase noise at the phase detector frequency due to this. In extreme cases where input jitter is high, charge pump current is high, and C_p is too small, the VCXO PLL input voltage can hit the supply or ground rail resulting in non-linear loop response.

The best way to set the value of C_p is to use the filter response software available from ICS (please refer to the following section). C_p should be increased in value until it just starts affecting the passband peak.

NOTES ON EXTERNAL CRYSTAL LOAD CAPACITORS

In the loop filter schematic diagram, capacitors are shown from pin 62 to ground and pin 63 to ground. These are optional crystal load capacitors which can be used to center tune the external pullable crystal (the crystal frequency can only be lowered by adding capacitance, it cannot be raised). Note that the addition of external load capacitors will decrease the crystal pull range and the K_{vco} value.

LOOP FILTER RESPONSE SOFTWARE

Online tools to calculate loop filter response can be found at www.icst.com.

NOTES ON SETTING CHARGE PUMP CURRENT

The recommended range for the charge pump current is $50\mu A$ to $500\mu A$. Below $50\mu A$, loop filter charge leakage, due to PCB or capacitor leakage, can become a problem. This loop filter leakage can cause locking problems, output clock cycle slips, or low frequency phase noise.

As can be seen in the loop bandwidth and damping factor equations or by using the filter response software available from ICS, increasing charge pump current (I_{cp}) increases both bandwidth and damping factor.

CHARGE PUMP CURRENT, EXAMPLE SETTINGS

R_{SET}	Charge Pump Current (I_{cp})
17.6K	$62.5\mu A$
8.8K	$125\mu A$
4.4K	$250\mu A$
2.2K	$500\mu A$

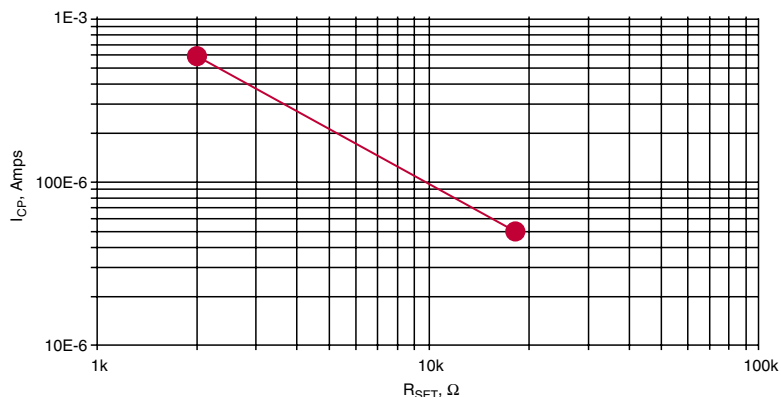


FIGURE 2. CHARGE PUMP CURRENT VS. VALUE OF R_{SET}
(EXTERNAL RESISTOR) GRAPH

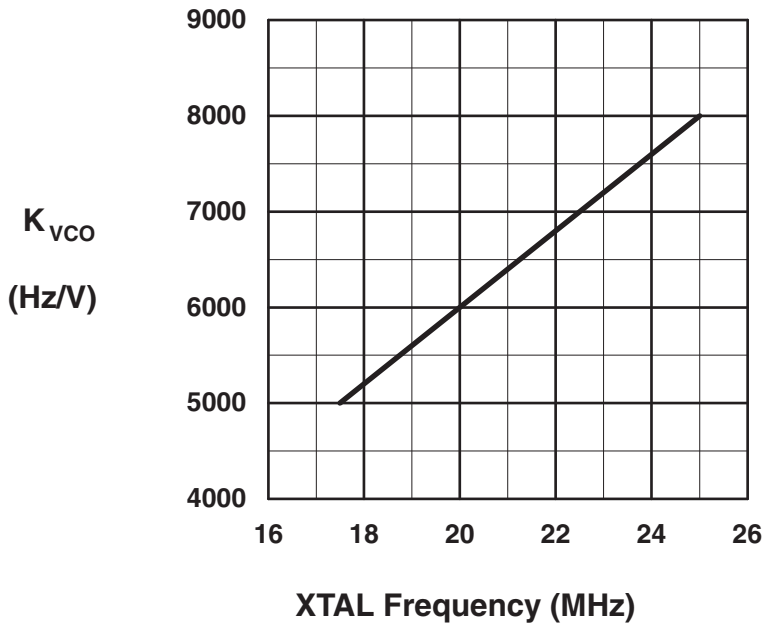


Integrated
Circuit
Systems, Inc.

PRELIMINARY

ICS843002-31 700MHz FEMTOCLOCKS™ VCXO BASED FREQUENCY TRANSLATOR AND JITTER ATTENUATOR

VCXO GAIN (K_o) vs. XTAL FREQUENCY



EXAMPLE LOOP FILTER COMPONENT VALUE

Example Case Number	Device Configuration					Loop Filter Component Selection				VCXO PLL Performance		
	Input Reference Clock	XTAL Frequency (MHz)	XOIN Divider	XOFB Divider	MP Divider	R_{SET} Resistor ($k\Omega$)	R_s Resistor ($k\Omega$)	C_s Cap (μF)	C_p Cap (μF)	Loop BW (-3dB) (MHz)	Loop Damping Factor	Passband Peaking (dB)
1	8kHz	19.44	1	2430	0	4.5	150	10	0.01	18	5.8	0.1
2	8kHz	19.44	1	2430	0	4.5	150	2.2	0.01	19	2.8	0.3
3	19.44kHz	19.44	32	32	0	9.09	11	10	0.01	65	2.7	0.3
4	19.44MHz	19.44	8	8	0	9.09	11	10	0.01	180	5.3	0.1



Integrated
Circuit
Systems, Inc.

PRELIMINARY

ICS843002-31 700MHz FEMTOCLOCKS™ VCXO BASED FREQUENCY TRANSLATOR AND JITTER ATTENUATOR

POWER SUPPLY FILTERING TECHNIQUES

As in any high speed analog circuitry, the power supply pins are vulnerable to random noise. The ICS843002-31 provides separate power supplies to isolate any high switching noise from the outputs to the internal PLL. V_{CC} , V_{CCA} , V_{CCA_XO} , and V_{CCO_X} should be individually connected to the power supply plane through vias, and bypass capacitors should be used for each pin. To achieve optimum jitter performance, power supply isolation is required. Figure 3 illustrates how a 10Ω resistor along with a $10\mu F$ and a $.01\mu F$ bypass capacitor should be connected to each V_{CCA} pin.

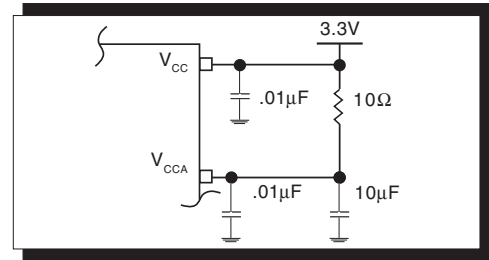


FIGURE 3. POWER SUPPLY FILTERING

DIFFERENTIAL CLOCK INPUT INTERFACE

The CLK0 /nCLK0 accepts LVDS, LVPECL, LVHSTL, SSTL, HCSL and other differential signals. Both V_{SWING} and V_{OH} must meet the V_{PP} and V_{CMR} input requirements. Figures 4A to 4D show interface examples for the HiPerClockS CLK0/nCLK0 input driven by the most common driver types. The input interfaces suggested here are examples only. Please consult with

the vendor of the driver component to confirm the driver termination requirements. For example in Figure 4A, the input termination applies for ICS HiPerClockS LVHSTL drivers. If you are using an LVHSTL driver from another vendor, use their termination recommendation.

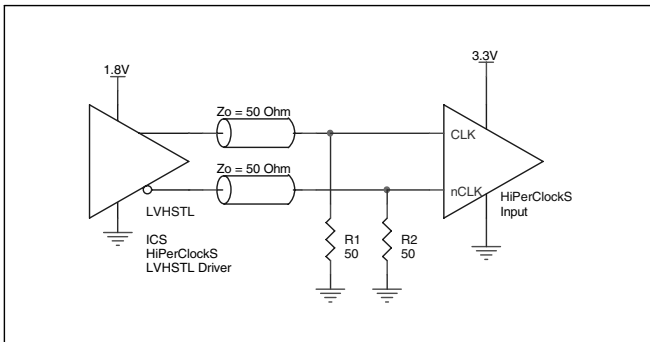


FIGURE 4A. HiPerClockS CLK/nCLK INPUT DRIVEN BY ICS HiPerClockS LVHSTL DRIVER

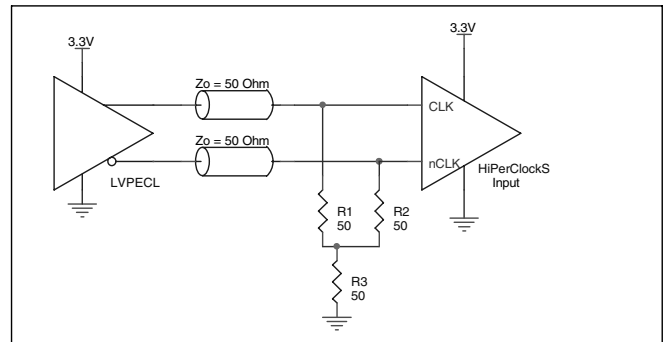


FIGURE 4B. HiPerClockS CLK/nCLK INPUT DRIVEN BY 3.3V LVPECL DRIVER

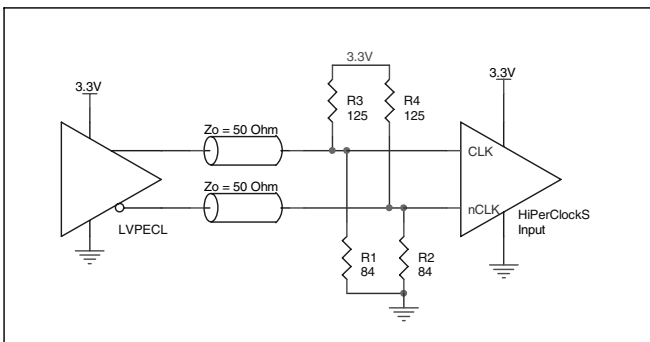


FIGURE 4C. HiPerClockS CLK/nCLK INPUT DRIVEN BY 3.3V LVPECL DRIVER

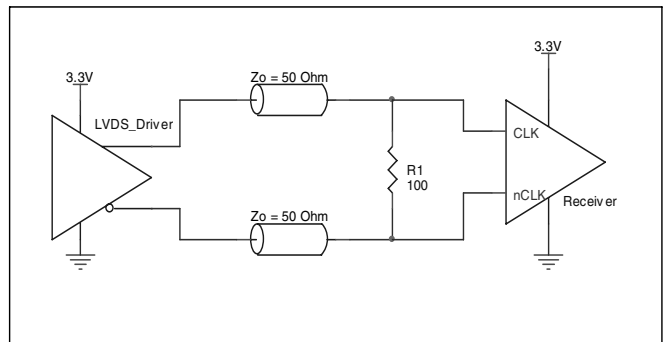


FIGURE 4D. HiPerClockS CLK/nCLK INPUT DRIVEN BY 3.3V LVDS DRIVER



DIFFERENTIAL CLOCK INPUT CIRCUIT

USING THE DIFFERENTIAL INTERFACE FOR SINGLE-ENDED CLOCKS

The differential interface (CLK0/nCLK0) can be used as a third single-ended input to support an LVCMOS or LVTTTL clock driver. The clock input is connected to the CLK0 input pin, and the nCLK0 pin is left unconnected. To help reduce interference with the internal VCO circuits, an external resistor can be placed in series with the clock signal near

the CLK0 input pin. Combined with the input pin capacitance, this resistor acts as a low pass signal filter. The typical value of this optional series filter resistor is 100Ω. This will lower both the amplitude and edge rate of the clock input signal. In the case of a very short clock trace a series termination resistor may not be needed.

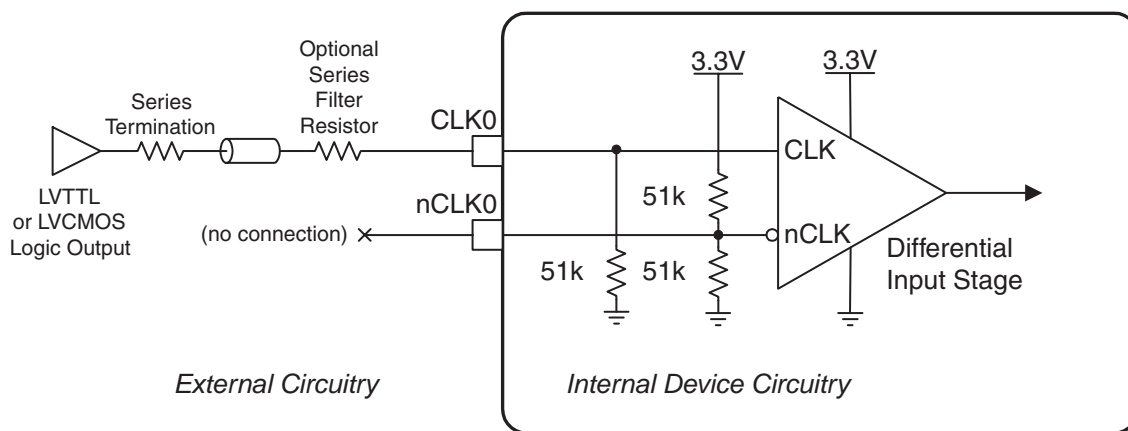


FIGURE 5. SINGLE-ENDED CLOCK INPUT INTERFACE

RECOMMENDATIONS FOR UNUSED INPUT AND OUTPUT PINS

INPUTS:

CRYSTAL INPUT:

For applications not requiring the use of the crystal oscillator input, both XTAL_IN and XTAL_OUT can be left floating. Though not required, but for additional protection, a 1kΩ resistor can be tied from XTAL_IN to ground.

CLK INPUT:

For applications not requiring the use of a clock input, it can be left floating. Though not required, but for additional protection, a 1kΩ resistor can be tied from the CLK input to ground.

CLK/nCLK INPUT:

For applications not requiring the use of the differential input, both CLK and nCLK can be left floating. Though not required, but for additional protection, a 1kΩ resistor can be tied from CLK to ground.

LVCMOS CONTROL PINS:

All control pins have internal pull-ups or pull-downs; additional resistance is not required but can be added for additional protection. A 1kΩ resistor can be used.

OUTPUTS:

LVCMOS OUTPUT:

All unused LVCMOS output can be left floating. We recommend that there is no trace attached.

LVPECL OUTPUT

All unused LVPECL outputs can be left floating. We recommend that there is no trace attached. Both sides of the differential output pair should either be left floating or terminated.



Integrated
Circuit
Systems, Inc.

PRELIMINARY

ICS843002-31 700MHz FEMTOCLOCKS™ VCXO BASED FREQUENCY TRANSLATOR AND JITTER ATTENUATOR

THERMAL RELEASE PATH

The exposed metal pad provides heat transfer from the device to the P.C. board. The exposed metal pad is ground pad connected to ground plane through thermal via. The exposed pad on the device to the exposed metal pad on the

PCB is contacted through solder as shown in *Figure 6*. For further information, please refer to the Application Note on Surface Mount Assembly of Amkor's Thermally /Electrically Enhance Leadframe Base Package, Amkor Technology.

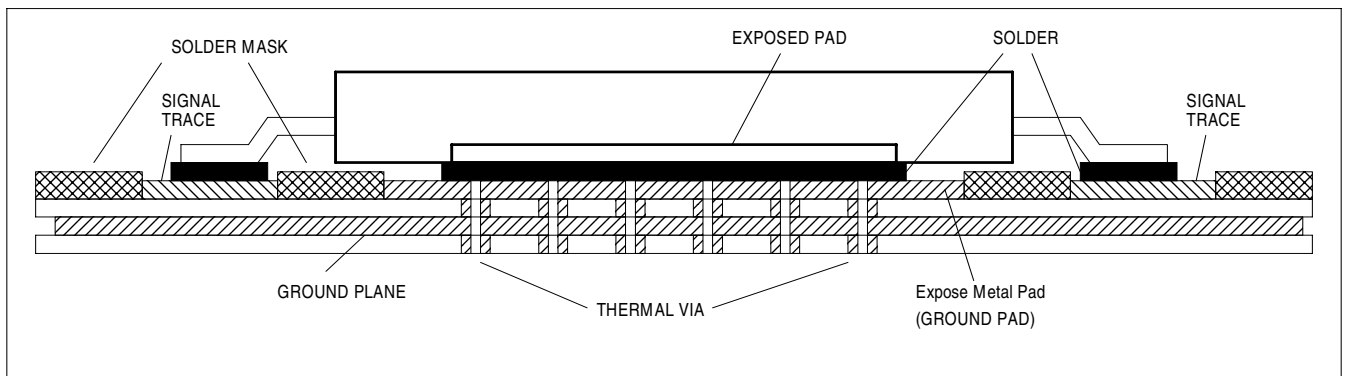


FIGURE 6. P.C. BOARD FOR EXPOSED PAD THERMAL RELEASE PATH EXAMPLE

TERMINATION FOR LVPECL OUTPUTS

The clock layout topology shown below is a typical termination for LVPECL outputs. The two different layouts mentioned are recommended only as guidelines.

FOUT and nFOUT are low impedance follower outputs that generate ECL/LVPECL compatible outputs. Therefore, terminating resistors (DC current path to ground) or current sources must be used for functionality. These outputs are

designed to drive 50Ω transmission lines. Matched impedance techniques should be used to maximize operating frequency and minimize signal distortion. *Figures 7A and 7B* show two different layouts which are recommended only as guidelines. Other suitable clock layouts may exist and it would be recommended that the board designers simulate to guarantee compatibility across all printed circuit and clock component process variations.

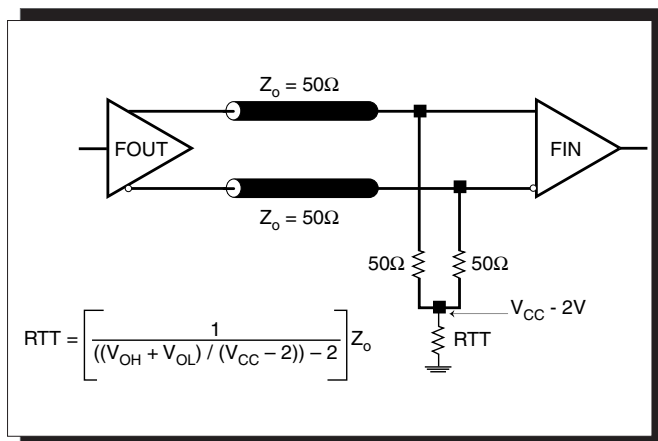


FIGURE 7A. LVPECL OUTPUT TERMINATION

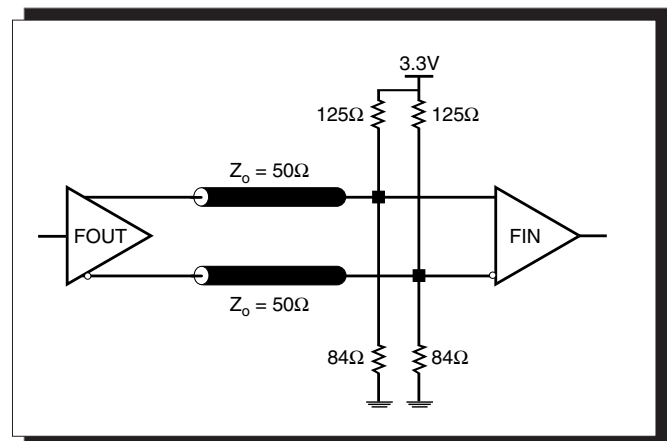


FIGURE 7B. LVPECL OUTPUT TERMINATION



POWER CONSIDERATIONS

This section provides information on power dissipation and junction temperature for the ICS843002-31. Equations and example calculations are also provided.

1. Power Dissipation.

The total power dissipation for the ICS843002-31 is the sum of the core power plus the power dissipated in the load(s). The following is the power dissipation for $V_{CC} = 3.3V + 5\% = 3.465V$, which gives worst case results.

NOTE: Please refer to Section 3 for details on calculating power dissipated in the load.

- Power (core)_{MAX} = $V_{CC_MAX} * I_{EE_MAX} = 3.465V * 395mA = 1368.67mW$
- Power (outputs)_{MAX} = **30mW/Loaded Output pair**
If all outputs are loaded, the total power is $2 * 30mW = 60mW$

Total Power_{MAX} (3.465V, with all outputs switching) = $1368.67mW + 60mW = 1428.67mW$

2. Junction Temperature.

Junction temperature, T_j, is the temperature at the junction of the bond wire and bond pad and directly affects the reliability of the device. The maximum recommended junction temperature for HiPerClockS™ devices is 125°C.

The equation for T_j is as follows: $T_j = \theta_{JA} * Pd_total + T_A$

T_j = Junction Temperature

θ_{JA} = Junction-to-Ambient Thermal Resistance

Pd_{total} = Total Device Power Dissipation (example calculation is in section 1 above)

T_A = Ambient Temperature

In order to calculate junction temperature, the appropriate junction-to-ambient thermal resistance θ_{JA} must be used. Assuming a moderate air flow of 200 linear feet per minute and a multi-layer board, the appropriate value is 17.2°C/W per Table 7 below.

Therefore, T_j for an ambient temperature of 70°C with all outputs switching is:

$$70^\circ C + 1.429W * 17.2^\circ C/W = 94.6^\circ C. \text{ This is well below the limit of } 125^\circ C.$$

This calculation is only an example. T_j will obviously vary depending on the number of loaded outputs, supply voltage, air flow, and the type of board (single layer or multi-layer).

TABLE 7. THERMAL RESISTANCE θ_{JA} FOR 64-PIN TQFP, FORCED CONVECTION

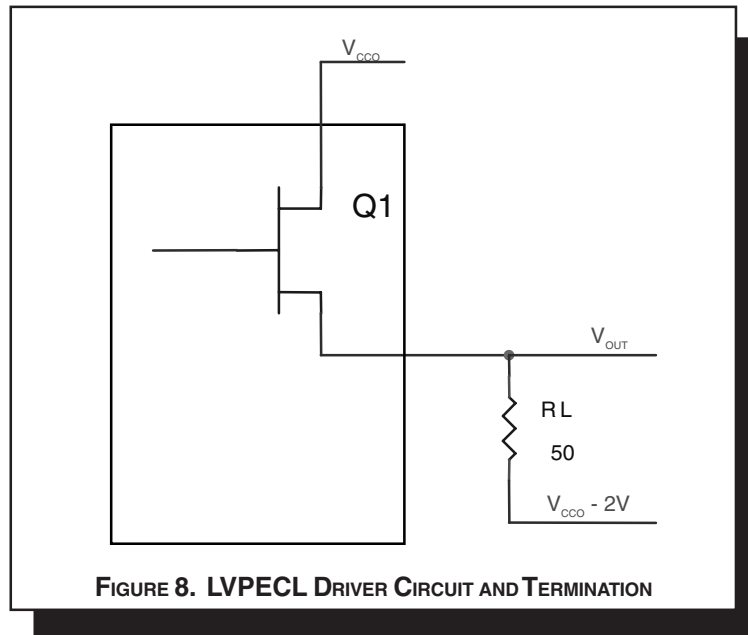
θ_{JA} by Velocity (Linear Feet per Minute)			
	0	200	500
Multi-Layer PCB, JEDEC Standard Test Boards	22.3°C/W	17.2°C/W	15.1°C/W



3. Calculations and Equations.

The purpose of this section is to derive the power dissipated into the load.

LVPECL output driver circuit and termination are shown in Figure 8.



To calculate worst case power dissipation into the load, use the following equations which assume a 50Ω load, and a termination voltage of $V_{CCO} - 2V$.

- For logic high, $V_{OUT} = V_{OH_MAX} = V_{CCO_MAX} - 0.9V$
 $(V_{CCO_MAX} - V_{OH_MAX}) = 0.9V$
- For logic low, $V_{OUT} = V_{OL_MAX} = V_{CCO_MAX} - 1.7V$
 $(V_{CCO_MAX} - V_{OL_MAX}) = 1.7V$

Pd_H is power dissipation when the output drives high.
 Pd_L is the power dissipation when the output drives low.

$$Pd_H = [(V_{OH_MAX} - (V_{CCO_MAX} - 2V))/R_L] * (V_{CCO_MAX} - V_{OH_MAX}) = [(2V - (V_{CCO_MAX} - V_{OH_MAX}))/R_L] * (V_{CCO_MAX} - V_{OH_MAX}) = [(2V - 0.9V)/50\Omega] * 0.9V = 19.8mW$$

$$Pd_L = [(V_{OL_MAX} - (V_{CCO_MAX} - 2V))/R_L] * (V_{CCO_MAX} - V_{OL_MAX}) = [(2V - (V_{CCO_MAX} - V_{OL_MAX}))/R_L] * (V_{CCO_MAX} - V_{OL_MAX}) = [(2V - 1.7V)/50\Omega] * 1.7V = 10.2mW$$

Total Power Dissipation per output pair = $Pd_H + Pd_L = 30mW$



Integrated
Circuit
Systems, Inc.

PRELIMINARY

ICS843002-31

700MHz FEMTOCLOCKS™ VCXO BASED
FREQUENCY TRANSLATOR AND JITTER ATTENUATOR

RELIABILITY INFORMATION

TABLE 8. θ_{JA} VS. AIR FLOW TABLE FOR 64 LEAD TQFP, EPAD

θ_{JA} by Velocity (Linear Feet per Minute)			
	0	200	500
Multi-Layer PCB, JEDEC Standard Test Boards	22.3°C/W	17.2°C/W	15.1°C/W

TRANSISTOR COUNT

The transistor count for ICS843002-31 is: 10,095



Integrated
Circuit
Systems, Inc.

PRELIMINARY

ICS843002-31
700MHz FEMTOCLOCKS™ VCXO BASED
FREQUENCY TRANSLATOR AND JITTER ATTENUATOR

PACKAGE OUTLINE - Y SUFFIX FOR 64 LEAD TQFP, EPAD (32 pin package depicted to define Table 9 dimension symbols)

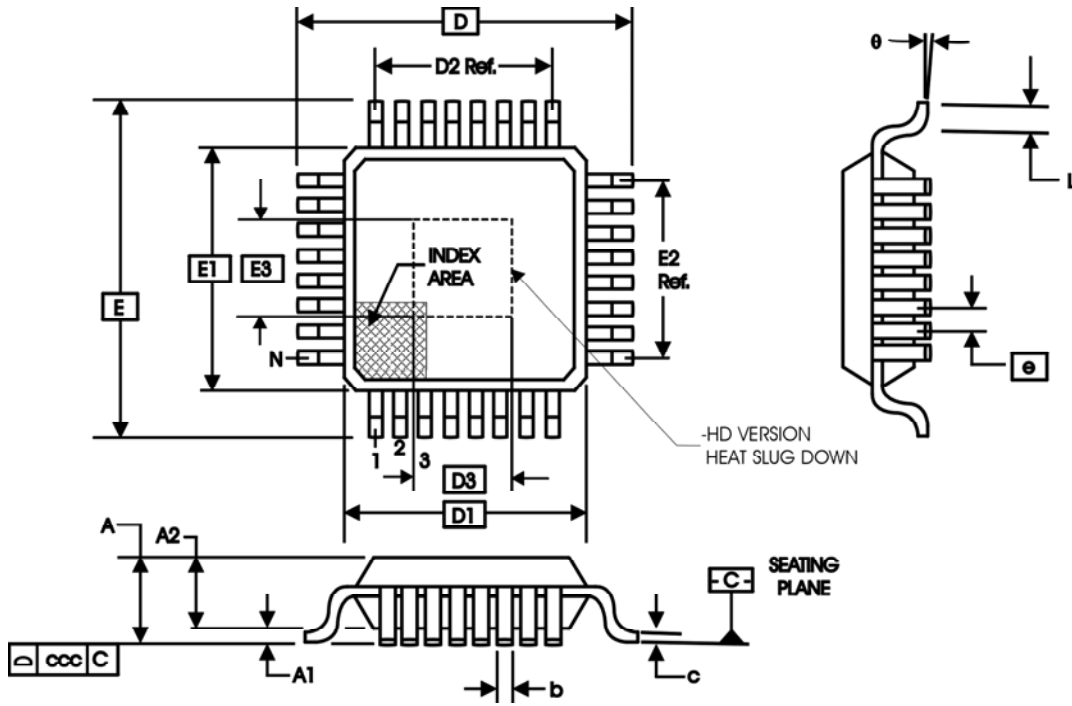


TABLE 9. PACKAGE DIMENSIONS FOR 64 LEAD TQFP, EPAD

SYMBOL	JEDEC VARIATION		
	ALL DIMENSIONS IN MILLIMETERS		
	BCD		
	MINIMUM	NOMINAL	MAXIMUM
N	64		
A	--	--	1.20
A1	0.05	--	0.15
A2	.95	1.0	1.05
b	0.17	0.22	0.27
c	0.09	--	0.20
D	12.00 BASIC		
D1	10.00 BASIC		
D2	5.00 Ref.		
E	12.00 BASIC		
E1	10.00 BASIC		
E2	5.00 Ref.		
e	0.50 BASIC		
L	0.45	0.60	0.75
θ	0°	--	7°
ccc	--	--	0.08

Reference Document: JEDEC Publication 95, MS-026



Integrated
Circuit
Systems, Inc.

PRELIMINARY

ICS843002-31
700MHz FEMTOCLOCKS™ VCXO BASED
FREQUENCY TRANSLATOR AND JITTER ATTENUATOR

TABLE 10. ORDERING INFORMATION

Part/Order Number	Marking	Package	Shipping Packaging	Temperature
ICS843002CY-31	ICS843002CY31	64 Lead TQFP, EPAD	tray	0°C to 70°C
ICS843002CY-31T	ICS843002CY31	64 Lead TQFP, EPAD	500 tape & reel	0°C to 70°C
ICS843002CY-31LF	TBD	64 Lead "Lead-Free" TQFP, EPAD	tray	0°C to 70°C
ICS843002CY-31LFT	TBD	64 Lead "Lead-Free" TQFP, EPAD	500 tape & reel	0°C to 70°C

NOTE: Parts that are ordered with an "LF" suffix to the part number are the Pb-Free configuration and are RoHS compliant.

The aforementioned trademarks, HiPerClockS and FEMTOCLOCKS are trademarks of Integrated Circuit Systems, Inc. or its subsidiaries in the United States and/or other countries.

While the information presented herein has been checked for both accuracy and reliability, Integrated Circuit Systems, Incorporated (ICS) assumes no responsibility for either its use or for infringement of any patents or other rights of third parties, which would result from its use. No other circuits, patents, or licenses are implied. This product is intended for use in normal commercial applications. Any other applications such as those requiring extended temperature range, high reliability, or other extraordinary environmental requirements are not recommended without additional processing by ICS. ICS reserves the right to change any circuitry or specifications without notice. ICS does not authorize or warrant any ICS product for use in life support devices or critical medical instruments.