

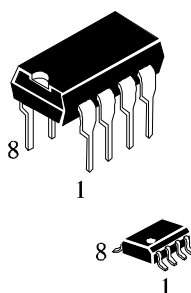
# Low-Power, Slew-Rate-Limited RS-485/RS-422 Transceivers

**ILX3485**

### General Description

The ILX3485 is low-power transceivers for RS-485-3.3 and RS-422-3.3 communication. IC contains one driver and one receiver. The driver slew rates of the ILX3485 is not limited, allowing them to transmit up to 2.5Mbps.

These transceivers draw between 120µA and 500µA of supply current when unloaded or fully loaded with disabled drivers. All parts operate from a single 3.3V supply. Drivers are short-circuit current limited and are protected against excessive power dissipation by thermal shutdown circuitry that places the driver outputs into a high-impedance state. The receiver input has a fail-safe feature that guarantees a logic-high output if the input is open circuit.



N SUFFIX  
PLASTIC

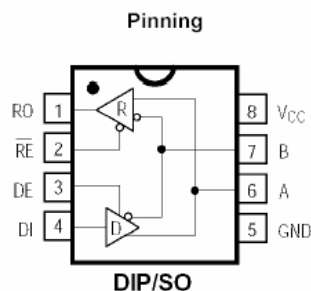
D SUFFIX  
SOIC

**ORDERING INFORMATION**

|          |         |
|----------|---------|
| ILX3485N | Plastic |
| ILX3485D | SOIC    |

### Features

- Low Quiescent Current: 300µA
- -7V to +12V Common-Mode Input Voltage Range
- Three-State Outputs
- 30ns Propagation Delays, 5ns Skew
- Full-Duplex and Half-Duplex Versions Available
- Operate from a Single 3.3V Supply
- Allows up to 32 Transceivers on the Bus
- Data rate: 2,5 Mbps
- Current-Limiting and Thermal Shutdown for Driver Overload Protection
- The transmitter outputs and receiver inputs are protected to ±15kV Air ESD.



**ABSOLUTE MAXIMUM RATINGS**

|   |  |
|---|--|
| Supply Voltage (V <sub>CC</sub> ) 7V                          | Continuous Power Dissipation (T <sub>A</sub> = +70°C)  |
| Control Input Voltage -0.3V to 7V                             | 8-Pin Plastic DIP (derate 9.09mW/°C above +70°C) 727mW |
| Driver Input Voltage (DI) -0.3V to 7V                         | 8-Pin SOP (derate 5.88mW/°C above +70°C) 471mW         |
| Driver Output Voltage (A, B) -7.5V to +12.5V                  | Operating Temperature Ranges 0°C to +70°C              |
| Receiver Input Voltage (A, B) -7.5V to +12.5V                 | Storage Temperature Range -65°C to +160°C              |
| Receiver Output Voltage (RO) -0.3V to (V <sub>CC</sub> +0.3V) | Lead Temperature (soldering, 10sec) +300°C             |

**DC ELECTRICAL CHARACTERISTICS**

(V<sub>CC</sub> = 3.3V ±10%, T<sub>A</sub> = T<sub>MIN</sub> to T<sub>MAX</sub>, unless otherwise noted.) (Notes 1, 2)

| PARAMETER   | SYMBOL           | CONDITIONS   | MIN  | TYP | MAX  | UNITS |
|---|------------------|--|------|-----|------|-------|
| Differential Driver Output (no load)  | V <sub>OD1</sub> |  | 2    |     |      | V     |
| Differential Driver Output (with load)  | V <sub>OD2</sub> | R = 100Ω (RS-422)                                    | 1    |     |      | V     |
|   |                  | R = 54Ω (RS-485), Figure 4                           | 0.8  |     |      |       |
| Change in Magnitude of Driver Differential Output Voltage for Complementary Output States | ΔV <sub>OD</sub> | R = 54Ω or 50Ω, Figure 4                             |      |     | 0.2  | V     |
| Driver Common-Mode Output Voltage   | V <sub>OC</sub>  | R = 54Ω or 100Ω, Figure 4                            |      |     | 2    | V     |
| Change in Magnitude of Driver Common-Mode Output Voltage for Complementary Output States  | ΔV <sub>OD</sub> | R = 54Ω or 100Ω, Figure 4                            |      |     | 0.2  | V     |
| Input High Voltage  | V <sub>IH</sub>  | DE, DI, RE   | 2.0  |     |      | V     |
| Input Low Voltage   | V <sub>IL</sub>  | DE, DI, RE   |      |     | 0.8  | V     |
| Input Current   | I <sub>IN1</sub> | DE, DI, RE   |      |     | ±2   | μA    |
| Input Current (A, B)  | I <sub>IN2</sub> | DE = 0V; V <sub>IN</sub> = 12V                       |      |     | 1.0  | mA    |
|   |                  | V <sub>CC</sub> = 0V or 5.25V, V <sub>IN</sub> = -7V |      |     | -0.8 |       |
| Receiver Differential Threshold Voltage   | V <sub>TH</sub>  | -7V ≤ V <sub>CM</sub> ≤ 12V                          | -0.2 |     | 0.2  | V     |
| Receiver Input Hysteresis   | ΔV <sub>TH</sub> | V <sub>CM</sub> = 0V                                 |      | 70  |      | mV    |
| Receiver Output High Voltage  | V <sub>OH</sub>  | I <sub>O</sub> = -1.5mA, V <sub>ID</sub> = 200mV     | 2.5  |     |      | V     |
| Receiver Output Low Voltage   | V <sub>OL</sub>  | I <sub>O</sub> = 2.5mA, V <sub>ID</sub> = -200mV     |      |     | 0.4  | V     |
| Three-State (high impedance) Output Current at Receiver                                   | I <sub>OZR</sub> | 0.4V ≤ V <sub>O</sub> ≤ 2.4V                         |      |     | ±1   | μA    |
| Receiver Input Resistance   | R <sub>IN</sub>  | -7V ≤ V <sub>CM</sub> ≤ 12V                          | 12   |     |      | kΩ    |

**DC ELECTRICAL CHARACTERISTICS (continued)**

(V<sub>CC</sub> = 3.3V ±10%, T<sub>A</sub> = T<sub>MIN</sub> to T<sub>MAX</sub>, unless otherwise noted.) (Notes 1, 2)

| PARAMETER                          | SYMBOL            | CONDITIONS                            | MIN  | TYP | MAX | UNITS |
|------------------------------------|-------------------|---------------------------------------|------|-----|-----|-------|
| No-Load Supply Current<br>(Note 3) | I <sub>CC</sub>   | DE = V <sub>CC</sub>                  |      | 500 | 800 | μA    |
|                                    |                   | RE = 0V or V <sub>CC</sub>            |      | 300 | 400 |       |
|                                    |                   | DE = 0V                               |      |     |     |       |
| Driver Short-Circuit Current,      |                   |                                       |      |     |     |       |
|                                    | I <sub>OSD1</sub> | -7V ≤ V <sub>O</sub> ≤ 12V (Note 4)   |      |     | 250 | mA    |
| V <sub>O</sub> = High              |                   |                                       |      |     |     |       |
| Driver Short-Circuit Current,      |                   |                                       |      |     |     |       |
|                                    | I <sub>OSD2</sub> | -7V ≤ V <sub>O</sub> ≤ 12V (Note 4)   |      |     | 250 | mA    |
| V <sub>O</sub> = Low               |                   |                                       |      |     |     |       |
| Receiver Short-Circuit Current     | I <sub>OSR</sub>  | 0V ≤ V <sub>O</sub> ≤ V <sub>CC</sub> | ±6.5 |     | 95  | mA    |

**SWITCHING CHARACTERISTICS**

(V<sub>CC</sub> = 3.3V ±10%, T<sub>A</sub> = T<sub>MIN</sub> to T<sub>MAX</sub>, unless otherwise noted.) (Notes 1, 2)

| PARAMETER  | SYMBOL            | CONDITIONS   | MIN | TYP | MAX | UNITS |
|--|-------------------|--|-----|-----|-----|-------|
| Driver Input to Output                             | t <sub>PLH</sub>  | R <sub>DIFF</sub> = 54Ω  | 10  | 30  | 60  | ns    |
|  | t <sub>PHL</sub>  | C <sub>L1</sub> = C <sub>L2</sub> = 100pF                          | 10  | 30  | 60  |       |
| Driver Output Skew to Output                       | t <sub>SKEW</sub> | R <sub>DIFF</sub> = 54Ω, C <sub>L1</sub> = C <sub>L2</sub> = 100pF |     | 5   | 10  | ns    |
| Driver Enable to Output High                       | t <sub>ZH</sub>   | C <sub>L</sub> = 100pF, S2 closed                                  |     | 45  | 90  | ns    |
| Driver Enable to Output Low                        | t <sub>ZL</sub>   | C <sub>L</sub> = 100pF, S1 closed                                  |     | 45  | 90  | ns    |
| Driver Disable Time from Low                       | t <sub>LZ</sub>   | C <sub>L</sub> = 15pF, S1 closed                                   |     | 40  | 80  | ns    |
| Driver Disable Time from High                      | t <sub>HZ</sub>   | C <sub>L</sub> = 15pF, S2 closed                                   |     | 40  | 80  | ns    |
| t <sub>PLH</sub> - t <sub>PHL</sub>   Differential | t <sub>SKD</sub>  | R <sub>DIFF</sub> = 54Ω  |     | 13  |     | ns    |
| Receiver Skew                                      |                   | C <sub>L1</sub> = C <sub>L2</sub> = 100pF                          |     |     |     |       |
| Receiver Enable to Output Low                      | t <sub>ZL</sub>   | C <sub>RL</sub> = 15pF, S1 closed                                  |     |     | 50  | ns    |
| Receiver Enable to Output High                     | t <sub>ZH</sub>   | C <sub>RL</sub> = 15pF, S2 closed                                  |     | 20  | 50  | ns    |
| Receiver Disable Time from Low                     | t <sub>LZ</sub>   | C <sub>RL</sub> = 15pF, S1 closed                                  |     | 20  | 50  | ns    |
| Receiver Disable Time from High                    | t <sub>HZ</sub>   | C <sub>RL</sub> = 15pF, S2 closed                                  |     | 20  | 50  | ns    |
| Maximum Data Rate                                  | f <sub>MAX</sub>  |  | 2.5 |     |     | Mbps  |

**Note 1:** All currents into device pins are positive; all currents out of device pins are negative. All voltages are referenced to device ground unless otherwise specified.

**Note 2:** All typical specifications are given for V<sub>CC</sub> = 3.3V and T<sub>A</sub> = +25°C.

**Note 3:** Supply current specification is valid for loaded transmitters when DE = 0V.

**Note 4:** Applies to peak current. See *Typical Operating Characteristics*.

**Test Circuits**

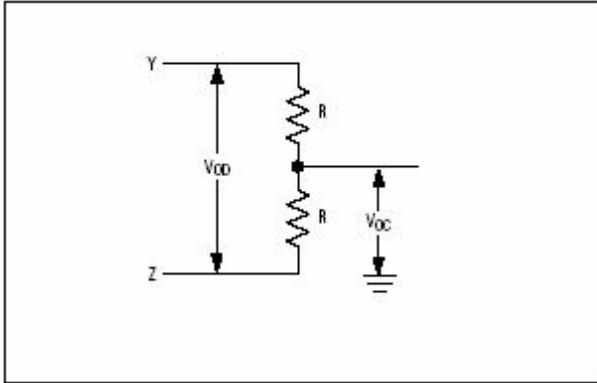


Figure 4. Driver DC Test Load

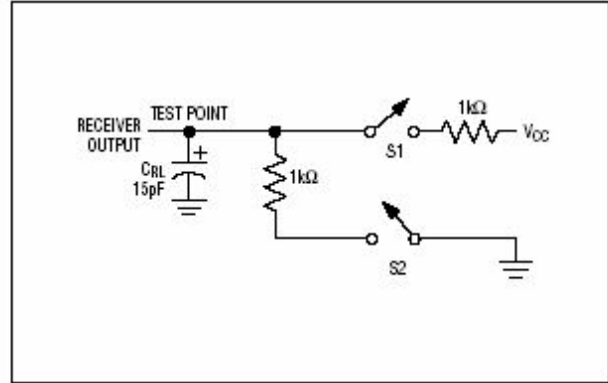


Figure 5. Receiver Timing Test Load

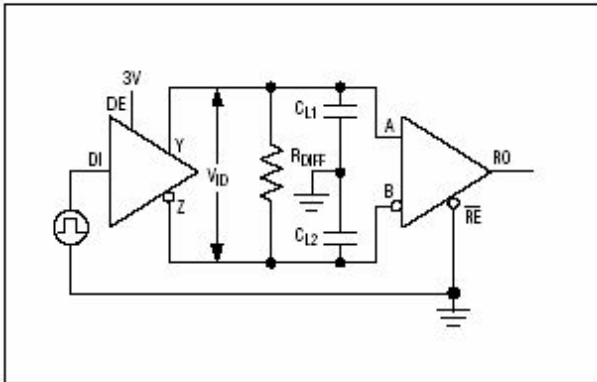


Figure 6. Driver/Receiver Timing Test Circuit

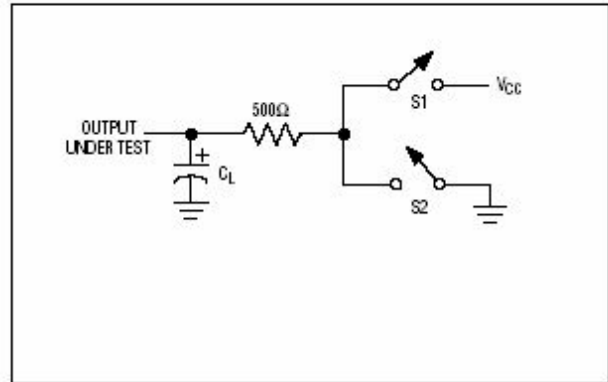


Figure 7. Driver Timing Test Load

Operation timing diagrams of ILX3485

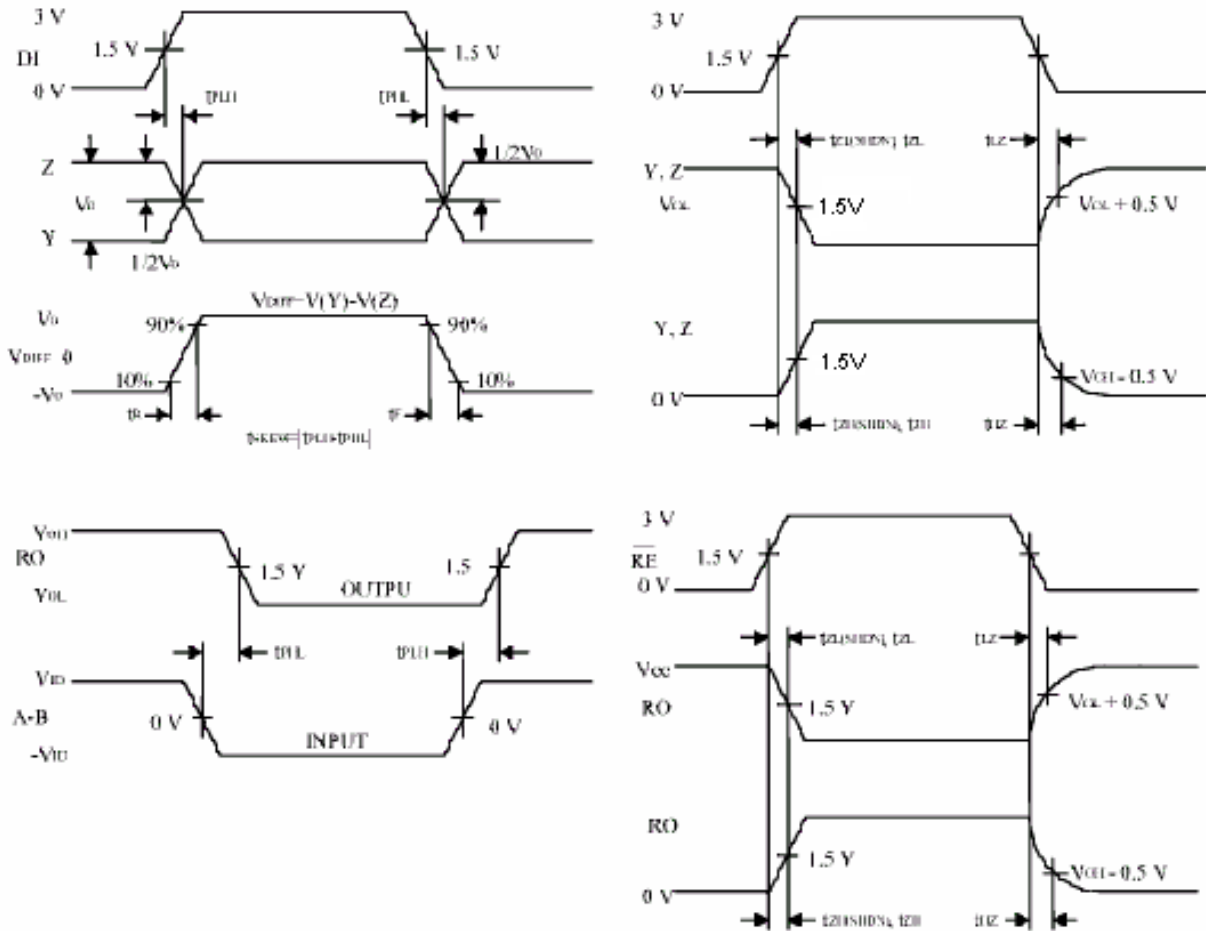
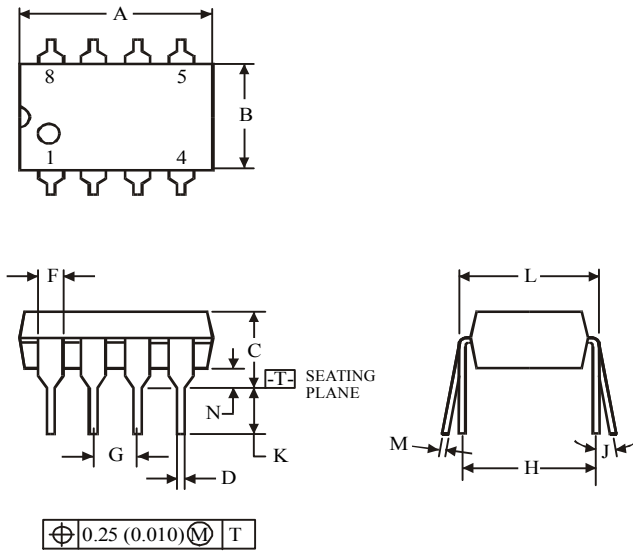
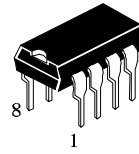


Table of ILX 3485 operation

| Transmitting |    |    |           |   | Receiving |    |       |         |
|--------------|----|----|-----------|---|-----------|----|-------|---------|
| Inputs       |    |    | Outputs X |   | Inputs    |    |       | Outputs |
| RE           | DE | DI | Z         | Y | RE        | DE | A-B   | RO      |
| X            | 1  | 1  | 0         | 1 | 0         | 0  | +0.2V | 1       |
| X            | 1  | 0  | 1         | 0 | 0         | 0  | -0.2V | 0       |
| 0            | 0  | X  | Z         | Z | 0         | 0  | open  | 1       |
| 1            | 0  | X  | Z         | Z | 1         | 0  | X     | Z       |

X-don't care  
Z-high impedance

**N SUFFIX PLASTIC DIP  
(MS - 001BA)**

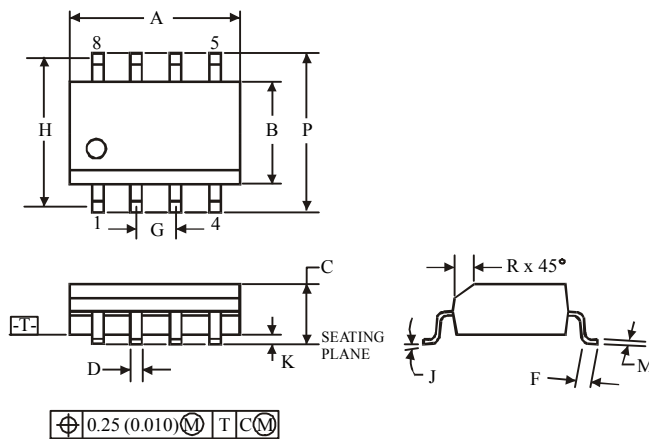
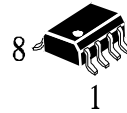


| Symbol | Dimension, mm |       |
|--------|---------------|-------|
|        | MIN           | MAX   |
| A      | 8.51          | 10.16 |
| B      | 6.1           | 7.11  |
| C      |               | 5.33  |
| D      | 0.36          | 0.56  |
| F      | 1.14          | 1.78  |
| G      | 2.54          |       |
| H      | 7.62          |       |
| J      | 0°            | 10°   |
| K      | 2.92          | 3.81  |
| L      | 7.62          | 8.26  |
| M      | 0.2           | 0.36  |
| N      | 0.38          |       |

**NOTES:**

- Dimensions "A", "B" do not include mold flash or protrusions.  
Maximum mold flash or protrusions 0.25 mm (0.010) per side.

**D SUFFIX SOIC  
(MS - 012AA)**



| Symbol | Dimension, mm |      |
|--------|---------------|------|
|        | MIN           | MAX  |
| A      | 4.8           | 5    |
| B      | 3.8           | 4    |
| C      | 1.35          | 1.75 |
| D      | 0.33          | 0.51 |
| F      | 0.4           | 1.27 |
| G      | 1.27          |      |
| H      | 5.72          |      |
| J      | 0°            | 8°   |
| K      | 0.1           | 0.25 |
| M      | 0.19          | 0.25 |
| P      | 5.8           | 6.2  |
| R      | 0.25          | 0.5  |

**NOTES:**

- Dimensions A and B do not include mold flash or protrusion.
- Maximum mold flash or protrusion 0.15 mm (0.006) per side for A; for B - 0.25 mm (0.010) per side.