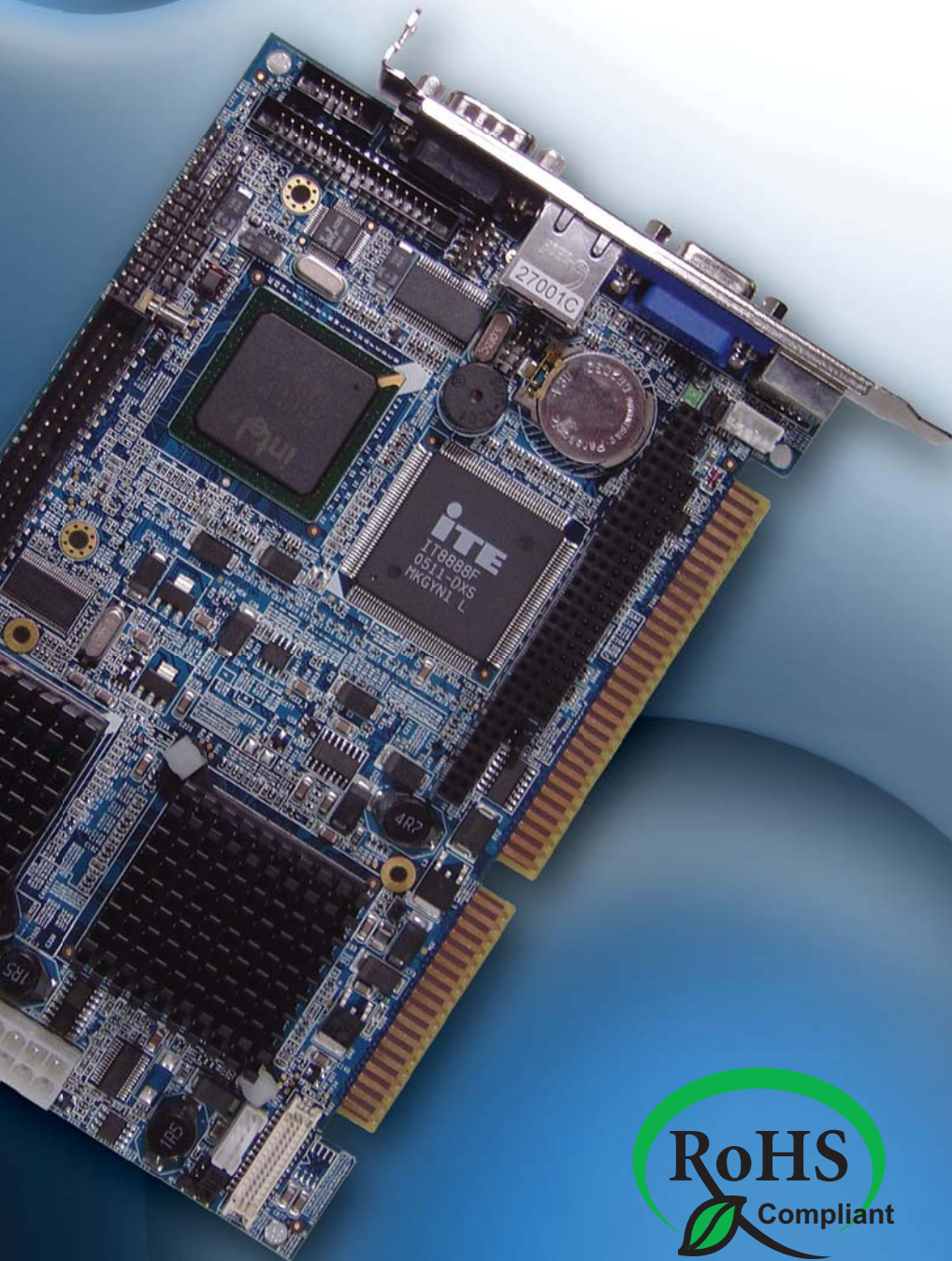


SBC



ISA-472LF

ISA ULV Celeron® M
CPU Card w / VGA /
Audio / LAN

Features :

- Support Onboard ULV Celeron® M CPU up to 1GHz
- Equipped with Intel® 852GM Chipset with FSB 400MHz
- Memory Supports DDR 266 SDRAM up to 1GB
- Expansion Slot for PC104
- Support Compact Flash
- Support Wake-on-LAN with ATX power



PROTECH SYSTEMS

It's the right choice

No. 24, Lane 365, Yang Guang St., Nei Hu District, Taipei 114, Taiwan, R.O.C.

Tel: +886-2-8751-1111

Fax: +886-2-8751-1199

Email: sales@protech.com.tw

<http://www.protech.com.tw>



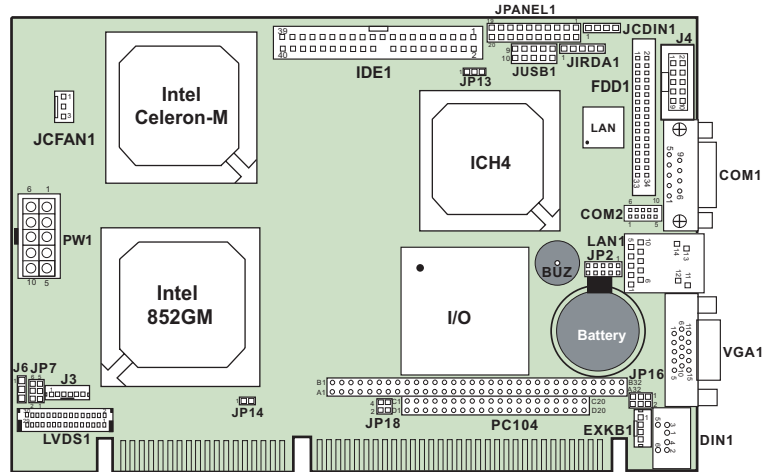
Communications
Alliance
Affiliate

ISO CERTIFIED

9001 14001

ISA-472LF

ISA ULV Celeron® M CPU Card w / VGA / Audio / LAN



Specifications

System	
CPU Type	Intel® Celeron® M processor
CPU Frequency	ULV 600MHz / ULV 1GHz (non L2 cache)
Chipset	Intel® 852GM + ICH4 (FSB: 400MHz)
DRAM	1 x 200-pin DDR SO-DIMM, support DDR266 SDRAM up to 1GB
BIOS	Phoenix-Award PnP BIOS, with VGA BIOS
Watchdog	1~255 secs Watchdog timer selectable w / Reset / NMI
Power Supply	Supports AT/ATX power
Power Requirement	+5V, +12V
Power Consumption	+5V : 3.14A / +12V : 0.052A (Celeron® M ULV 600MHz)
Dimension	185mm x 122mm (7.28" x 4.8")

I/O Chipset

IDE Interface	1 x 40-pin IDE (UDMA 33/66/100)
CF	1 x compact flash slot (IDE)
FDD Interface	1
Bus Interface	PC/104
Serial Port	2 x COM ports, COM1 for RS232, COM2 for RS232/422/485 (for 16550 compatible type of UART)
Parallel Port	1 x parallel (SPP/EPP/ECP)
IrDA	1 (SIR)

Keyboard	Mini DIN connector or external connector
Mouse	Mini DIN connector (selectable w/KB) or Y-cable
LAN	Intel® 82562ET (10/100Mbps) Support Wake-on-LAN with ATX power
Audio	AC '97 Codec, Realtek ALC202A with Line-in / Line-out / MIC
USB	2 x USB 2.0

Display

Graphic	Built-in Intel® 852GM, share system memory, Support CRT, LVDS
LCD Interface	18/36-bit LVDS

Environment

Operation Temp.	0°~60°C(32°~140°F)
Storage Temp.	-40°~85°C(-40°~185°F)
Humidity	Operation humidity 20~90%, storage humidity 20~95%

Ordering Information

ISA-472LF-C600	ISA CPU card w Celeron M ULV 600MHz CPU / VGA / LAN (10/100Mbps)
ISA-472LF-C1000	ISA CPU card w Celeron M ULV 1GHz CPU / VGA / LAN (10/100Mbps)

Certificate: CE, FCC, CLASS A

All of trademarks and brand names are the property of their owners. Trademark "Protech" is the property of Protech Systems Co., Ltd. All information contained in this document is subject to change without any prior notice. This catalog is copyrighted in DEC. 2006.