

## LCD Module Calibrator

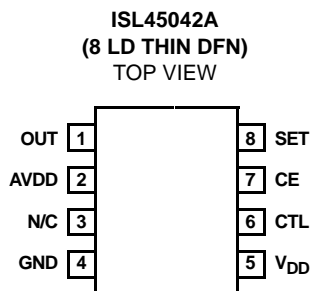
The VCOM voltage of an LCD panel needs to be adjusted to remove flicker. The ISL45042A can be used to digitally adjust a panel's VCOM voltage by controlling its output sink-current. The output of the ISL45042A is connected to an external voltage divider and an external VCOM buffer amplifier. In this application, the user can control the VCOM voltage with 7 Bit accuracy (128 steps). Once the desired VCOM setting is obtained, the settings can be stored in the non-volatile EEPROM memory, which would then be automatically recalled during every power-up.

The VCOM adjustment and non-volatile memory programming is through a single interface pin (CTL). Once the desired programmed value is obtained the Counter Enable pin (CE) can be used to prevent further adjustment or programming.

The full-scale sink current of the ISL45042A is set using an external resistor connected to the SET pin. The full-scale sink current determines the lowest voltage of the external voltage divider.

The ISL45042A is available in an 8 Ld 3mmx3mm Thin DFN package with a maximum thickness of 0.8mm for ultra thin LCD panel design.

## Pinout



## Features

- 128-Step Adjustable Sink Current Output
- 2.6V to 3.6V Logic Supply Voltage Operating Range
- 4.5V to 20V Analog Supply Voltage Range
- Rewritable EEPROM for storing the optimum VCOM value
- Output Adjustment Enable/Disable Control
- Output Guaranteed Monotonic Over Temperature
- Two Pin Adjustment, Programming and Enable
- Ultra Thin 8 Ld 3mmx3mm DFN (0.8mm max)
- Pb-Free Plus Anneal Available (RoHS Compliant)

## Applications

- LCD Panels

## Ordering Information

PART NO.	PART MARKING	TEMP. RANGE (°C)	PACKAGE	PKG. DWG. #
ISL45042AIRZ (Note)	42AZ	-40 to +85	8 Ld 3x3 Thin DFN (Pb-free)	L8.3x3A
ISL45042AIRZ-T (Note)	42AZ	-40 to +85	8 Ld 3x3 Thin DFN Tape and Reel (6k pcs) (Pb-free)	L8.3x3A
ISL45042AIRZ-TK (Note)	42AZ	-40 to +85	8 Ld 3x3 Thin DFN Tape and Reel (1k pcs) (Pb-free)	L8.3x3A

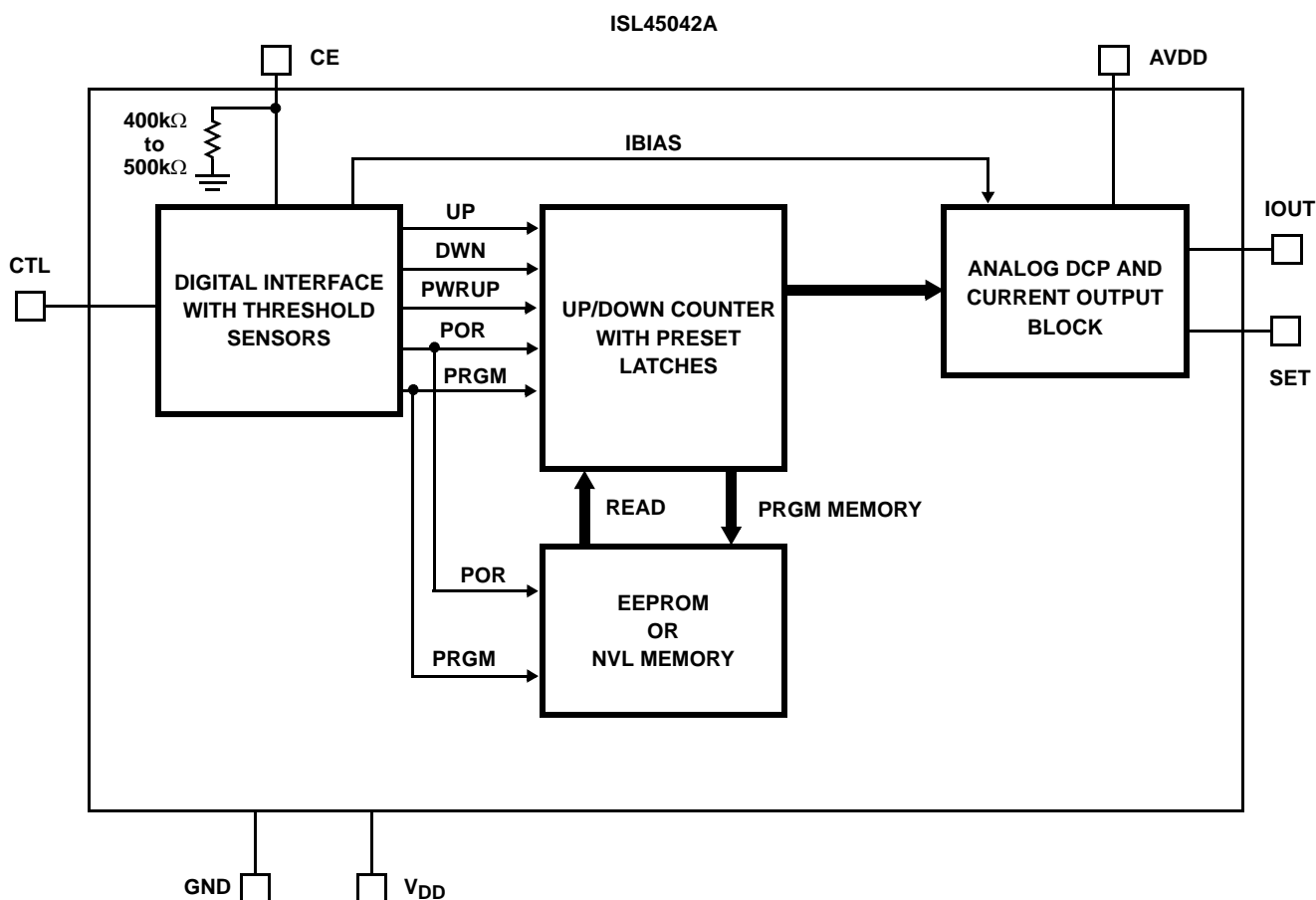
NOTE: Intersil Pb-free plus anneal products employ special Pb-free material sets; molding compounds/die attach materials and 100% matte tin plate termination finish, which are RoHS compliant and compatible with both SnPb and Pb-free soldering operations. Intersil Pb-free products are MSL classified at Pb-free peak reflow temperatures that meet or exceed the Pb-free requirements of IPC/JEDEC J STD-020.

## ISL45042A

### Pin Descriptions

PIN	FUNCTION
OUT	Adjustable Sink Current Output Pin. The current sinks into the OUT pin is equal to the DAC setting times the maximum adjustable sink current divided by 128. See SET pin function description for the maxim adjustable sink current setting.
AVDD	High-Voltage Analog Supply. Connects to top of external resistor divider to determine the VCOM voltage. Typically 10V to 20V. Bypass to GND with 0.1 $\mu$ F de-coupling capacitor.
N/C	No Connect. Not internally connected.
GND	Ground connection.
V <sub>DD</sub>	ISL45042A power supply input. Bypass to GND with 0.1 $\mu$ F de-coupling capacitor.
CTL	Internal Counter Up/Down Control and Internal EEPROM Programming Control Input. If CE is high, a mid-to-low transition increments the 7-bit counter, raising the DAC setting, increasing the OUT sink current, and lowering the divider voltage at OUT. A mid-to-high transition decrements the 7-bit counter, lowering the DAC setting, decreasing the OUT sink current, and increasing the divider voltage at OUT. Applying 4.9V and above with appropriately arranged timing will overwrite EEPROM with the contents in the 7-bit counter. See EEPROM Programming section for details.
CE	Counter Enable Pin. Connect CE to V <sub>DD</sub> to enable adjustment of the output sink current. Float or connect CE to GND to prevent further adjustment or programming (note: the CE pin has an internal pull down resistor).
SET	Maximum Sink Current Adjustment Point. Connect a resistor from the SET pin to GND to set the maximum adjustable sink current of the OUT pin. The maximum adjustable sink current is equal to (AVDD/20) divided by RSET. The maximum set current has to be less than 120 $\mu$ A.

### Block Diagram



# ISL45042A

## Absolute Maximum Ratings

V <sub>DD</sub> to Ground	+4V
Input Voltages to GND	
SET, CE	-0.3V to +4V
AVDD	-0.3V to +20V
CTL	-0.3V to +17V
Output Voltages to GND	
OUT	-0.3V to +20V
ESD Rating	
HBM for Device	2.75kV
HBM for CTL to GND (no EEPROM Content Disruption)	8kV

## Thermal Information

Thermal Resistance (Typical, Note 1)	$\theta_{JA}$ (°C/W)
8 Ld Thin DFN Package	90
Moisture Sensitivity (see Technical Brief TB363)	
All Packages	Level 1
Maximum Junction Temperature (Plastic Package)	+150°C
Maximum Storage Temperature Range	-65°C to +150°C
Maximum Lead Temperature (Soldering 10s)	+300°C
(Lead Tips Only)	
Erase/Write Cycles	10,000
Data Retention	10 years @ +85°C

## Operating Conditions

Temperature Range	
ISL45042AIR	-40°C to +85°C

**CAUTION:** Stresses above those listed in "Absolute Maximum Ratings" may cause permanent damage to the device. This is a stress only rating and operation of the device at these or any other conditions above those indicated in the operational sections of this specification is not implied.

### NOTE:

- $\theta_{JA}$  is measured in free air with the component mounted on a high effective thermal conductivity test board with "direct attach" features. See Tech Brief TB379.

**Electrical Specifications** Test Conditions: V<sub>DD</sub> = 3V, AVDD = 10V, OUT = 5V, R<sub>SET</sub> = 24.9k $\Omega$ ; Unless Otherwise Specified.  
Typicals are at T<sub>A</sub> = +25°C

PARAMETER	SYMBOL	TEST CONDITIONS	TEMP (°C)	MIN	TYP	MAX	UNITS
<b>DC CHARACTERISTICS</b>							
V <sub>DD</sub> Supply Range	V <sub>DD</sub>	For Programming	0 to 85	3	-	3.6	V
		For Operation	Full	2.6	-	3.6	V
V <sub>DD</sub> Supply Current	I <sub>DD</sub>	CE = V <sub>DD</sub> (Note 6)	Full	-	-	50	$\mu$ A
		CE = GND	Full	-	-	20	$\mu$ A
AVDD Supply Range	AVDD		Full	4.5	-	20	V
AVDD Supply Current	IAVDD	(Note 3)	Full	-	-	20	$\mu$ A
CTL High Voltage	CTL <sub>IH</sub>	2.6V < V <sub>DD</sub> < 3.6V	Full	0.7*V <sub>DD</sub>	-	0.8*V <sub>DD</sub>	V
CTL Low Voltage	CTL <sub>IL</sub>	2.6V < V <sub>DD</sub> < 3.6V	Full	0.2*V <sub>DD</sub>	-	0.3*V <sub>DD</sub>	V
CTL High Rejected Pulse Width	CTL <sub>IHRPW</sub>		Full	20	-	-	$\mu$ s
CTL Low Rejected Pulse Width	CTL <sub>ILRPW</sub>		Full	20	-	-	$\mu$ s
CTL High Minimum Pulse Width	CTL <sub>IHMPW</sub>		Full	-	-	200	$\mu$ s
CTL Low Minimum Pulse Width	CTL <sub>ILMPW</sub>		Full	-	-	200	$\mu$ s
CTL Minimum Time Between Counts	CTL <sub>MTC</sub>		Full	-	-	10	$\mu$ s
CTL Input Current	ICTL	CTL = GND	Full	-	-	10	$\mu$ A
		CTL = V <sub>DD</sub>	Full	-	-	10	$\mu$ A
CTL Input Capacitance	CTL <sub>CAP</sub>	(Note 5)	Full	-	10	-	pF
CE Input Low Voltage	CE <sub>IL</sub>	2.6V < V <sub>DD</sub> < 3.6V	Full	-	-	0.4	V
CE Input High Voltage	CE <sub>IH</sub>	2.6V < V <sub>DD</sub> < 3.6V	Full	0.64*V <sub>DD</sub>	-	-	V
CE Minimum Start Up Time	CE <sub>ST</sub>	(Note 5)	Full	-	1	-	ms
CTL EEPROM Program Voltage	CTL <sub>PROM</sub>	2.6V < V <sub>DD</sub> < 3.6V, (Note 2)	Full	4.9	-	15.75	V
CTL EEPROM Programming Signal Time	CTL <sub>Pt</sub>	>4.9V	Full	200	-	-	$\mu$ s

## ISL45042A

**Electrical Specifications** Test Conditions:  $V_{DD} = 3V$ ,  $AVDD = 10V$ ,  $OUT = 5V$ ,  $R_{SET} = 24.9k\Omega$ ; Unless Otherwise Specified. Typical values are at  $T_A = +25^\circ C$  (Continued)

PARAMETER	SYMBOL	TEST CONDITIONS	TEMP (°C)	MIN	TYP	MAX	UNITS
Programming Time	$P_T$		Full			100	ms
SET Voltage Resolution	$SET_{VR}$	(Note 4)	Full	7	7	7	Bits
SET Differential Nonlinearity	$SET_{DN}$	Monotonic Over Temperature	Full	-	-	$\pm 1$	LSB
SET Zero-Scale Error	$SET_{ZSE}$		Full	-	-	$\pm 2$	LSB
SET Full-Scale Error	$SET_{FSE}$		Full	-	-	$\pm 8$	LSB
SET Current	$I_{SET}$	Through $R_{SET}$ (Note 7)	Full	-	20	-	$\mu A$
SET External Resistance	$SET_{ER}$	To GND, $AVDD = 20V$	Full	10	-	200	$k\Omega$
		To GND, $AVDD = 4.5V$	Full	2.25	-	45	$k\Omega$
AVDD to SET Voltage Attenuation	AVDD to SET		Full	-	1:20	-	V/V
OUT Settling Time	$OUT_{ST}$	to $\pm 0.5$ LSB Error Band (Note 5)	Full	-	20	-	$\mu s$
OUT Voltage Range	$V_{OUT}$		Full	$V_{SET} + 0.5V$	-	13	V
OUT Voltage Drift	$OUT_{VD}$	(Note 5)	25 to 55	-	$< 10$	-	mV

**NOTES:**

2. CTL signal only needs to be greater than 4.9V to program EEPROM.
3. Tested at  $AVDD = 20V$ .
4. The Counter value is set to mid-scale  $\pm 4$  LSB's in the Production.
5. Simulated and Determined via Design and NOT Directly Tested.
6. Simulated Maximum Current Draw when Programming EEPROM is 23mA, should be considered when designing Power Supply.
7. A Typical Current of  $20\mu A$  is Calculated using the  $AVDD = 10V$  and  $R_{SET} = 24.9k\Omega$ . The maximum suggested SET Current should be  $120\mu A$ .

### Application Information

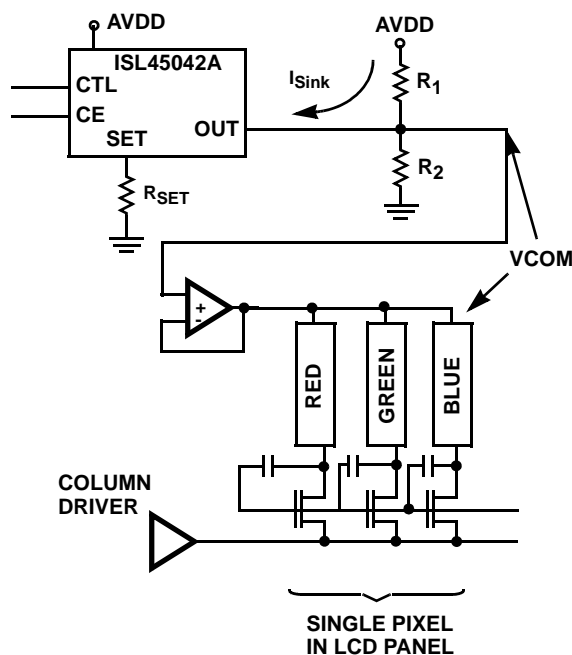
The application circuit to adjust the VCOM voltage in an LCD panel is shown in Figure 1. The ISL45042A has a 128-step sink current resolution. The output is connected to an external voltage divider, that results in decreasing the output VCOM voltage as you increase the ISL45042A sink current.

#### CTL Pin

The adjustment of the output VCOM voltage and the programming of the non-volatile memory are provided through a single pin called CTL, when the CE pin is high.

The output VCOM voltage is increased with a mid ( $V_{dd}/2$ ) to high transition ( $0.8 \cdot V_{DD}$ ) on CTL pin. The output VCOM voltage is decreased with a mid ( $V_{dd}/2$ ) to low transition ( $0.3 \cdot V_{DD}$ ), on CTL pin (Reference Figure 6). Once the minimum or maximum value is reached on the 128 steps, the device will not overflow or underflow beyond that minimum or maximum value.

Programming of the non-volatile memory occurs when the CTL pin exceeds 4.9V. The CTL signal needs to remain above 4.9V for more than 200 $\mu s$ . The level and timing needed to program the non-volatile memory is given in Figure 2. It then takes a maximum of 100ms for the programming to be completed inside the device.



**FIGURE 1. VCOM ADJUSTMENT IN AN LCD PANEL**

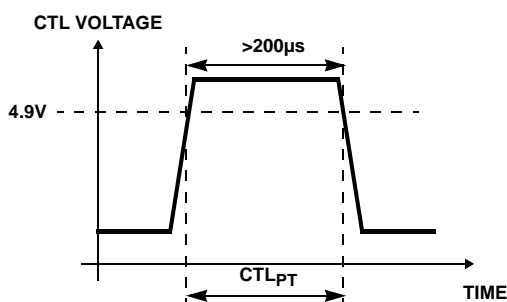


FIGURE 2. EEPROM PROGRAMMING

When the part is programmed, the counter setting is loaded into the non-volatile memory. This value will be loaded from the nonvolatile memory during initial power-up or when the CE pin is pulled low.

Once the programming is completed it is recommended that the user float the CLT pin. The CTL pin is internally tied to a resistor network connected to ground. If left floating, the voltage at the CTL pin will equal  $V_{DD}/2$ . Under these conditions, no additional pulses will be seen by the Up/Down counter via the CTL pin. To prevent further programming ground the CE pin.

CTL should have a noise filter to reduce bouncing or noise on the input that could cause unwanted counting when the CE pin is high. The board should have an additional ESD protection circuit, with a series  $1k\Omega$  resistor and a shunt  $0.01\mu F$  capacitor connected on the CTL pin. (See Figure 3)

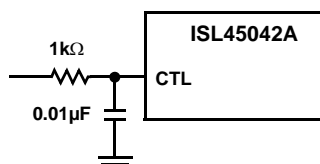


FIGURE 3. EXTERNAL ESD PROTECTION ON CTL PIN

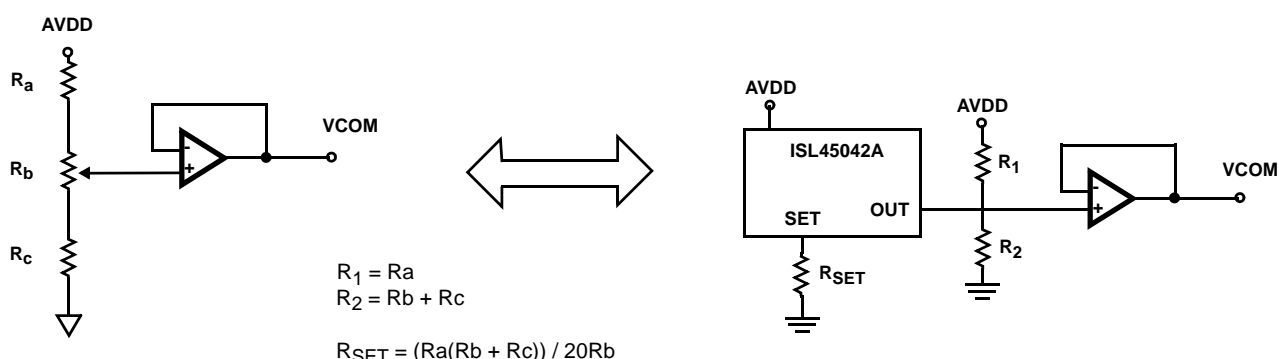


FIGURE 4. EXAMPLE OF THE REPLACEMENT FOR THE MECHANICAL POTENTIOMETER CIRCUIT USING THE ISL45042A

To avoid unintentional adjustment, the ISL45042A guarantees to reject CTL pulses shorter than  $20\mu s$ .

During Initial Power-up (only), to avoid the possibility of a false pulse (since the internal comparators come up in an unknown state) the very first CTL pulse is ignored. See Figure 6 for the timing information..

**CE Pin**

To adjust the output voltage, the CE pin must be pulled high (VDD). The CE pin has an internal pull-down resistor to prevent unwanted reprogramming of the EEPROM. The impedance of this resistor is  $400k\Omega$  to  $500k\Omega$  ( $R_{INTERNAL}$  Figure 5).

The CE pin has a Schmitt trigger on the input to prevent false triggering during slow transitions of the CE pin. Transitions of the CE pin are recommended to be less than  $10\mu s$ .

**Replacing Existing Mechanical Potentiometer Circuits**

Figure 4 shows the common adjustment mechanical circuits and equivalent replacement with the ISL45042A.

**Expected Output Voltage**

The ISL45042A provides an output sink current which lowers the voltage on the external voltage divider (VCOM output voltage). EQ. 1 and EQ. 2 can be used to calculate the output current (IOUT) and output voltage (VOUT) values.

$$I_{OUT} = \frac{\text{Setting} \times AVDD}{128} \times \frac{1}{20(R_{SET})} \quad (EQ.1)$$

$$V_{OUT} = \left( \frac{R_2}{R_1 + R_2} \right) AVDD \left( 1 - \frac{\text{Setting} \times R_1}{128 \times 20(R_{SET})} \right) \quad (EQ.2)$$

NOTE: Where setting is an integer between 1 and 128.

## ISL45042A

Table 1 gives the calculated value of V<sub>OUT</sub> for resistors values of: R<sub>SET</sub> = 24.9kΩ, R<sub>1</sub> = 200kΩ, R<sub>2</sub> = 243kΩ, and V<sub>ADD</sub> = 10V.

**TABLE 1. CALCULATED VCOM OUTPUT VOLTAGES**

SETTING VALUE	V <sub>OUT</sub>
1	5.468
10	5.313
20	5.141
30	4.969
40	4.797
50	4.625
60	4.453
70	4.281
80	4.109
90	3.936
100	3.764
110	3.592
128	3.282

### R<sub>SET</sub> Resistor

The external R<sub>SET</sub> resistor sets the full-scale sink current that determines the lowest voltage of the external voltage divider R<sub>1</sub> and R<sub>2</sub> (Figure 1). The maximum I<sub>SET</sub> current has to be less than 120μA. The minimum R<sub>SET</sub> resistor with V<sub>DD</sub> equal to 10V is 4.17kΩ (10V/(20\*120μA)). Typical applications with V<sub>DD</sub> equal to 10V and R<sub>SET</sub> equal to 24.9kΩ will result in a set current equal to 20μA.

### Power Supply Sequence

The recommendation for power supply sequence would be to power down the part first (V<sub>DD</sub>, AV<sub>DD</sub>), after 100msec if programming has occurred, and then power down the control power supplies (CTL, CE).

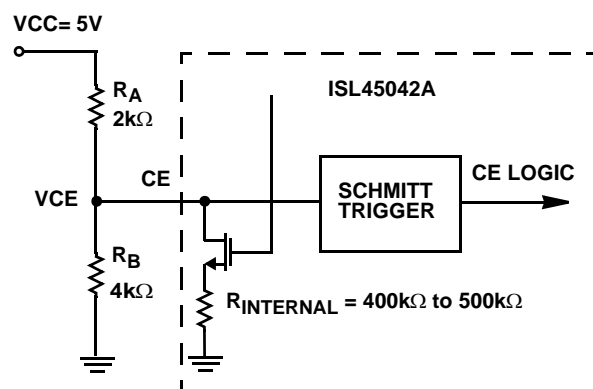
### Verifying the Programmed Value

The following sequence can be used to verify the programmed value without having to sequence the V<sub>DD</sub> supply. To verify the programmed value, follow the steps below. The ISL45042A will read memory contents and be set to that value when the CE pin is grounded.

1. Power up the ISL45042A.
2. CE pin = V<sub>DD</sub>.
3. Change counter value with CTL pin to desired value.
4. CTL = more than 4.9V and 200ms. Counter value programmed.
5. Change the counter value with CTL pin to a different value.
6. CE pin = Ground.
7. Check that the output value is the one programmed in step #4.

### Generating VDD and CE supply from a Larger Voltage Source

The CE pin has an internal pull-down resistor (R<sub>INTERNAL</sub> Figure 5). The impedance of this resistor is 400kΩ-500kΩ. If your design is using a resistor divider network to generate the 3.3V supply (for both V<sub>DD</sub> and CE to enable programming) from a larger voltage source, the 400kΩ (worst case) resistor needs to be taken into account as a parallel resistance when the CE pin is connected to this source. Another design concern is to be able to provide enough supply current during programming. The ISL45042A draws about 2mA during this process. Recommended resistor values are shown in Figure 5. This design will result in an additional 0.83mA quiescent current flowing through resistors R<sub>A</sub> and R<sub>B</sub>.



**FIGURE 5. APPLICATION GENERATING VDD AND VCE VOLTAGES**

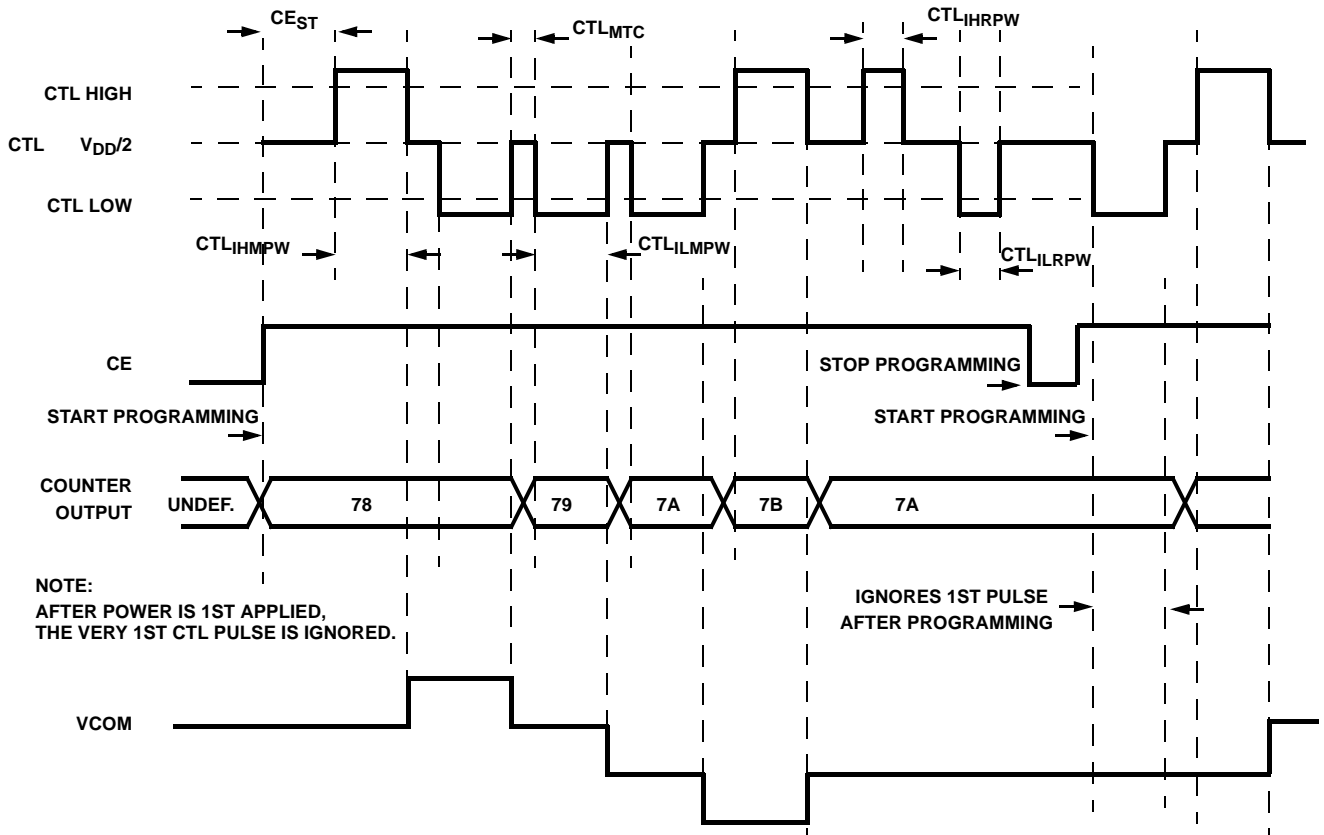
### ISL45042A Truth Table

The ISL45042A truth table is shown in Table 2. For proper operation the CE should be disabled (pulled low) before powering the device down to assure that the glitches and transients will not cause unwanted EEPROM overwriting.

**TABLE 2. TRUTH TABLE**

INPUT			OUTPUT		
CTL	CE	VDD	OUT	ICC	MEMORY
Mid to Hi	Hi	VDD	Increment	Normal	X
Mid to Lo	Hi	VDD	Decrement	Normal	X
X	Lo	VDD	No Change	Increased	Read
>4.9V	Hi	VDD	No Change	Increased	Program

# ISL45042A

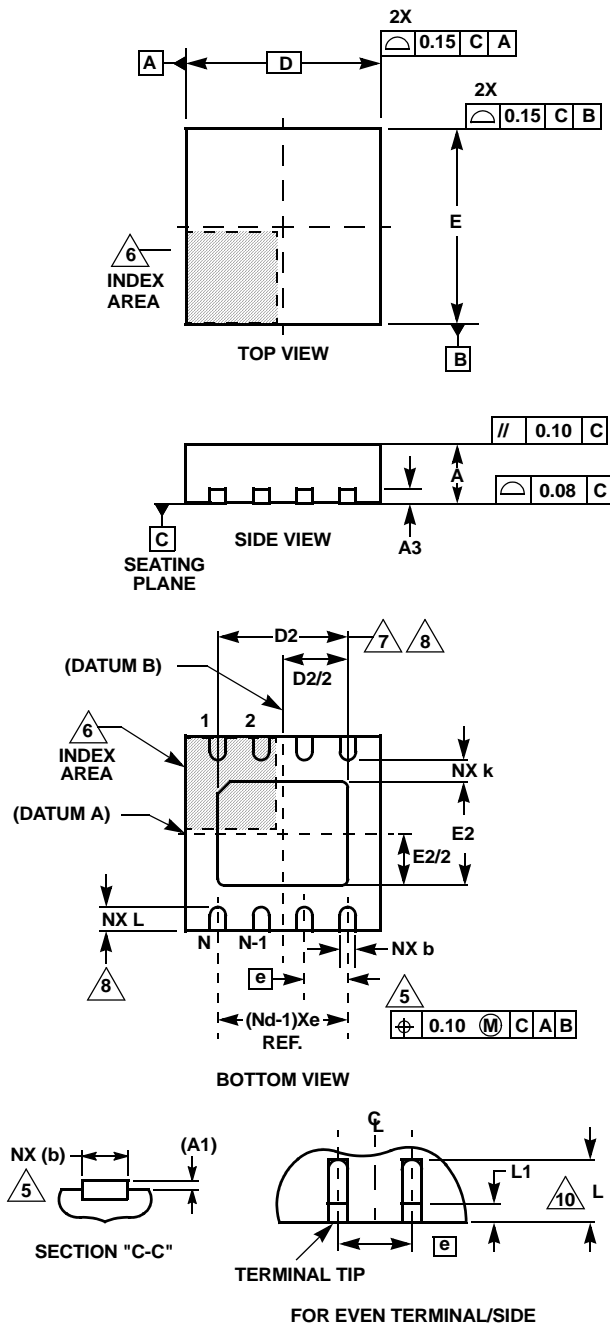


THE TIMING DIAGRAM ABOVE SHOWS POST POWER-UP TIMING.

FIGURE 6. ISL45042A TIMMING DIAGRAM

# ISL45042A

## Thin Dual Flat No-Lead Plastic Package (TDFN)



### L8.3x3A

#### 8 LEAD THIN DUAL FLAT NO-LEAD PLASTIC PACKAGE

SYMBOL	MILLIMETERS			NOTES
	MIN	NOMINAL	MAX	
A	0.70	0.75	0.80	-
A1	-	0.02	0.05	-
A3	0.20 REF			-
b	0.25	0.30	0.35	5, 8
D	3.00 BSC			-
D2	2.20	2.30	2.40	7, 8, 9
E	3.00 BSC			-
E2	1.40	1.50	1.60	7, 8, 9
e	0.65 BSC			-
k	0.25	-	-	-
L	0.20	0.30	0.40	8
N	8			2
Nd	4			3

Rev. 3 11/04

#### NOTES:

1. Dimensioning and tolerancing conform to ASME Y14.5-1994.
2. N is the number of terminals.
3. Nd refers to the number of terminals on D.
4. All dimensions are in millimeters. Angles are in degrees.
5. Dimension b applies to the metallized terminal and is measured between 0.15mm and 0.30mm from the terminal tip.
6. The configuration of the pin #1 identifier is optional, but must be located within the zone indicated. The pin #1 identifier may be either a mold or mark feature.
7. Dimensions D2 and E2 are for the exposed pads which provide improved electrical and thermal performance.
8. Nominal dimensions are provided to assist with PCB Land Pattern Design efforts, see Intersil Technical Brief TB389.
9. Compliant to JEDEC MO-WEEC-2 except for the "L" min dimension.

All Intersil U.S. products are manufactured, assembled and tested utilizing ISO9000 quality systems. Intersil Corporation's quality certifications can be viewed at [www.intersil.com/design/quality](http://www.intersil.com/design/quality)

Intersil products are sold by description only. Intersil Corporation reserves the right to make changes in circuit design, software and/or specifications at any time without notice. Accordingly, the reader is cautioned to verify that data sheets are current before placing orders. Information furnished by Intersil is believed to be accurate and reliable. However, no responsibility is assumed by Intersil or its subsidiaries for its use; nor for any infringements of patents or other rights of third parties which may result from its use. No license is granted by implication or otherwise under any patent or patent rights of Intersil or its subsidiaries.

For information regarding Intersil Corporation and its products, see [www.intersil.com](http://www.intersil.com)