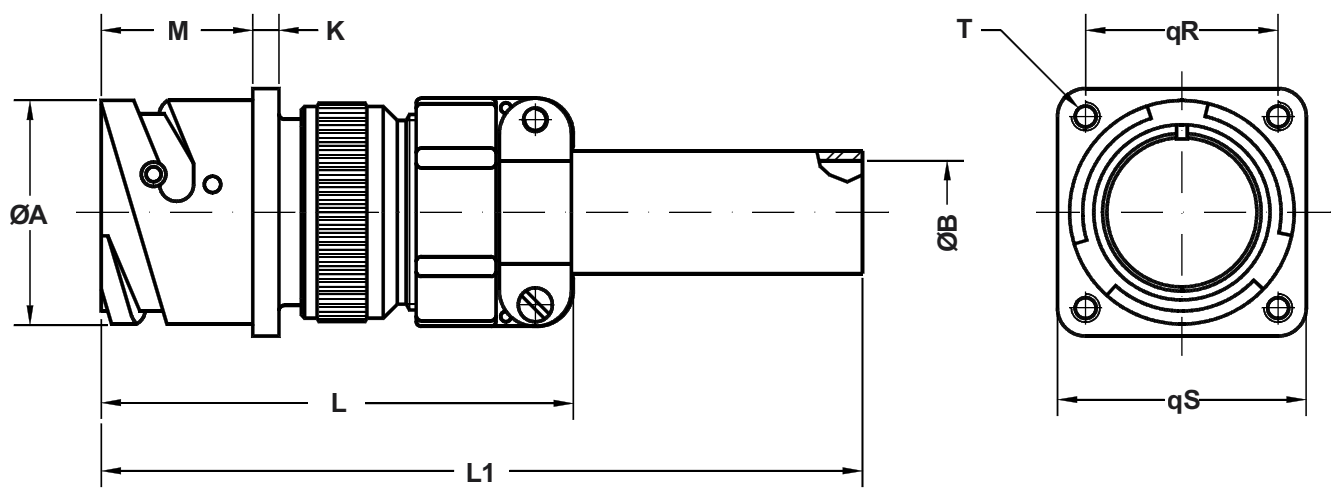


ITS 31030 (F) and ITS 41030 (F)
Rear Panel Mount Square Flange Receptacle Assembly with Class A IT3057 Cable Clamp and Neoprene Bushing

ITS 31 030 F FK 20-27 P Y XXX

- Bayonet Coupling
- Contact Type
 - 31 - Solder
 - 41 - Crimp
- 030 - Rear Wall Mount
- Connector/Backshell Class
 - F- Environmental; Supplied with Grommet, Cable Clamp and Neoprene Bushing
- Mod Code Option (See Table II)
- Alternate Insert Rotation (W, X, Y, Z)
Omit for Normal (See Intro 20-21)
- Contact Gender
 - P - Pin
 - S - Socket
- Shell Size and Insert Arrangement (See Intro 6-25)
- Material Option (Omit for Aluminum)
 - FK - Stainless Steel Passivate
 - MB - Marine Bronze



Application Notes:

1. Rear panel mount square flange receptacle assembly with an insulating grommet, environmental backshell, class A IT3057 cable clamp for use with individual wires and a neoprene bushing. Threaded mounting holes.
2. Connector/Backshell Class "F" (environmental)—Insulating grommet supplied.
3. Standard materials configuration consists of aluminum alloy with cadmium olive drab finish.
4. Standard contact material consists of copper alloy with silver plating (Gold plating available, see mod codes).
5. A broad range of additional connector accessories are available. See our website and/or contact the factory for complete information.
6. Standard insert material is synthetic rubber. Add "FR" prefix to front of part number to specify fire resistant inserts.



ITS 31030 (F) and ITS 41030 (F)
Rear Panel Mount Square Flange Receptacle Assembly
with Class A IT3057 Cable Clamp and Neoprene Bushing



TABLE I: DIMENSIONS

Shell Size	ØA +0 -0.1	ØB ±0.1	K ±0.2	L Max.	L1 Max.	M +0.2 -0	R ±0.1	S +0.2	T Thread
10 SL	18.2	5.58	2.8	60.0	130	18.5	18.25	25.4	M4
14 S	24.5	7.92	3.3	63.4	130	18.5	23.00	30.4	M4
16 S	27.2	11.09	3.3	65.4	130	18.5	24.60	32.5	M4
16	27.2	11.09	3.3	76.8	140	23.2	24.60	32.5	M4
18	30.7	14.27	4.0	82.8	145	23.2	27.00	35.0	M4
20	34.0	15.87	4.0	79.0	135	23.2	29.40	38.0	M4
22	37.3	15.87	4.0	79.0	135	23.2	31.75	41.0	M4
24	40.9	19.05	4.0	81.7	135	23.2	34.90	44.5	M4
28	46.7	19.05	4.0	88.2	140	24.4	39.70	50.9	M5
32	53.4	23.79	4.0	95.3	145	24.2	44.45	57.0	M5
36	59.6	31.75	4.0	101.8	150	24.2	49.20	63.5	M5
40	65.5	34.92	4.0	120.8	165	24.4	55.55	69.9	M5

TABLE II: MODIFICATION CODES

CONTACT OPTIONS	
Sym	Description
B0	Connector Less Contacts
B1	Connector with Gold Plated Contacts
Omit for Standard Version (Silver Plated)	
FINISH OPTIONS	
Sym	Description
F2	Bright Nickel Plating
F6	Black Electrodeposited Paint
F7	Black Zn-Co Plating
F8	Olive Drab Zn-Co Plating
Omit for Standard Version (Cad/Olive Drab Finish)	

