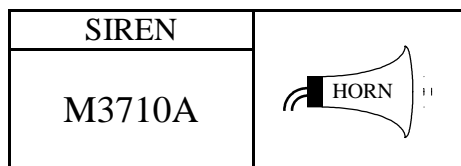




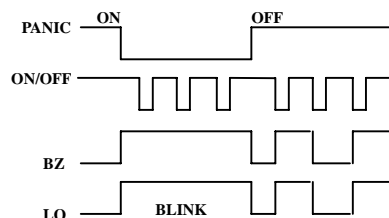
ON/OFF  
SIREN

警报声 IC - 1 声



### FEATURES 功能叙述

- Alarm siren sound.
- ON/OFF: toggle switch.
- PANIC: continuous.
- LO: 2 Hz LED flash output.



### APPLICATION 产品应用

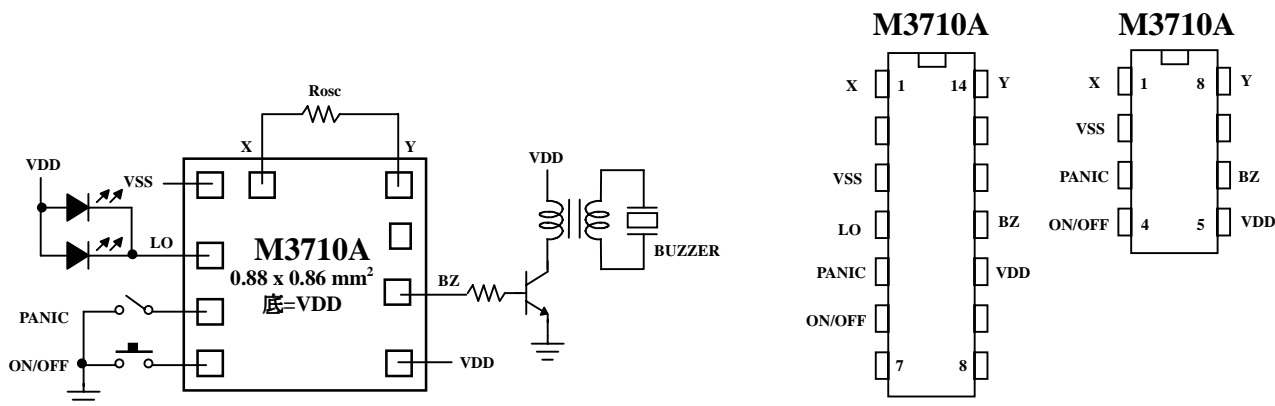
- Alarm system.

### ELECTRICAL CHARACTERISTICS 电气规格

( @V<sub>DD</sub>=3V unless otherwise specified )

Characteristics	Sym.	Min.	Typ.	Max.	Unit	REMARKS
工作电压 Operating Voltage	V <sub>DD</sub>	—	3	3.5	V	
工作电流 Operating Current	I <sub>OP</sub>	—	0.1	0.5	mA	No load
静态电流 Quiescent Current	I <sub>SB</sub>	—	1	5	μA	
推动电流 BZ Driving Current	I <sub>O</sub>	10	20	—	mA	@ V <sub>DS</sub> =1.2V
推动电流 LO Driving Current	I <sub>OL</sub>	2	—	—	mA	@ V <sub>DS</sub> =1V
振荡频率 Oscillator Frequency	F <sub>OSC</sub>	—	200	—	KHz	External ±30%, R <sub>osc</sub> =120K Ω
工作温度 Operating Temperature	Temp.	0	25	60	°C	

### APPLICATION DIAGRAM 参考电路图

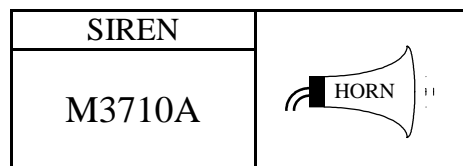


\*All specs and applications shown above subject to change without prior notice.  
( 以上电路及规格仅供参考,本公司得径行修正 )

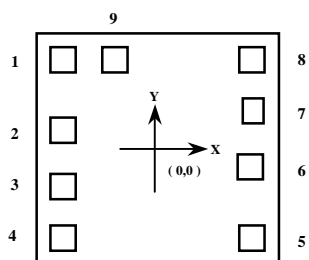


ON/OFF  
SIREN

警报声 IC - 1 声



**ASSIGNMENT & POSITION**



UNIT : um

No.	NAME	X	Y
1	VSS	-316	303
2	LO	-316	64.5
3	PANIC	-316	-129
4	ON/OFF	-316	-306
5	VDD	316.25	-306
6	BZ	316.25	-66.5
7	TEST	316.25	131.75
8	Y	316.25	303
9	X	-139	303

\* CHIP SIZE ~ 0.88 x 0.86 mm<sup>2</sup>

\* IC substrate should be connected to VDD in PCB (PCB 上 IC 必须接 VDD)