

HAEDPHONE AMPLIFIER for CD-ROM

■ GENERAL DESCRIPTION

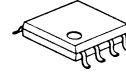
The **NJM2768** is a headphone amplifier designed for CD-ROM.

It includes 0dB closed loop gain and mute circuit which require few external component.

The **NJM2768** realizes very low turn-noise at mute mode.

It is suitable for CD-ROM , and other general audio headphone amplifier application.

■ PACKAGE OUTLENE

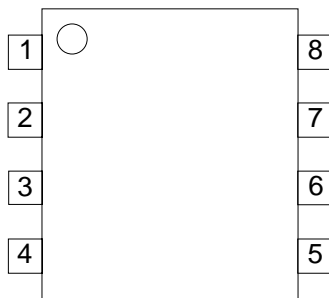


NJM2768M

■ FEATURES

- Operating Voltage 4.5-5.5V
- Operating Current 2mA typ., at $V^+=5V$
- Fixed Gain 0dB typ.
- Stereo Headphone Output
- Internal Mute Circuit
- Bipolar Technology
- Package Outline DMP8

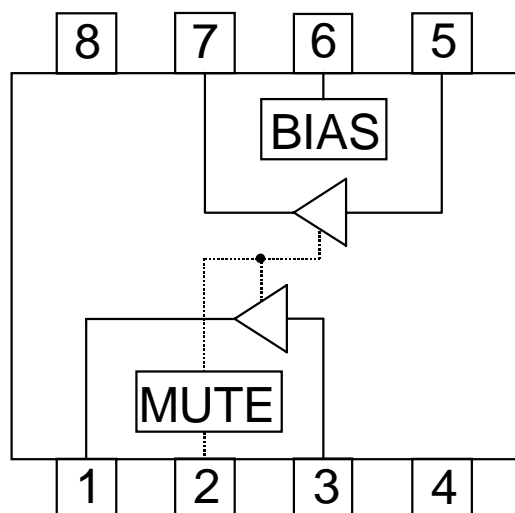
■ PIN CONFIGURATION



PIN FUNCTION

- 1.OUT1
- 2.MUTE
- 3.IN1
- 4.GND
- 5.IN2
- 6.BIAS
- 7.OUT2
- 8. V^+

■ BLOCK DIAGRAM



■ ABSOLUTE MAXIMUM RANGE (Ta=25°C)

PARAMETER	SYMBOL	RATINGS	UNIT
Supply Voltage	V ⁺	+7	V
Power Dissipation	P _D	(DMP8) 375 750 (note)	mW
Operating Temperature Range	T _{opr}	-40 to +85	°C
Storage Temperature Range	T _{stg}	-50 to +150	°C

(note)At on PC board

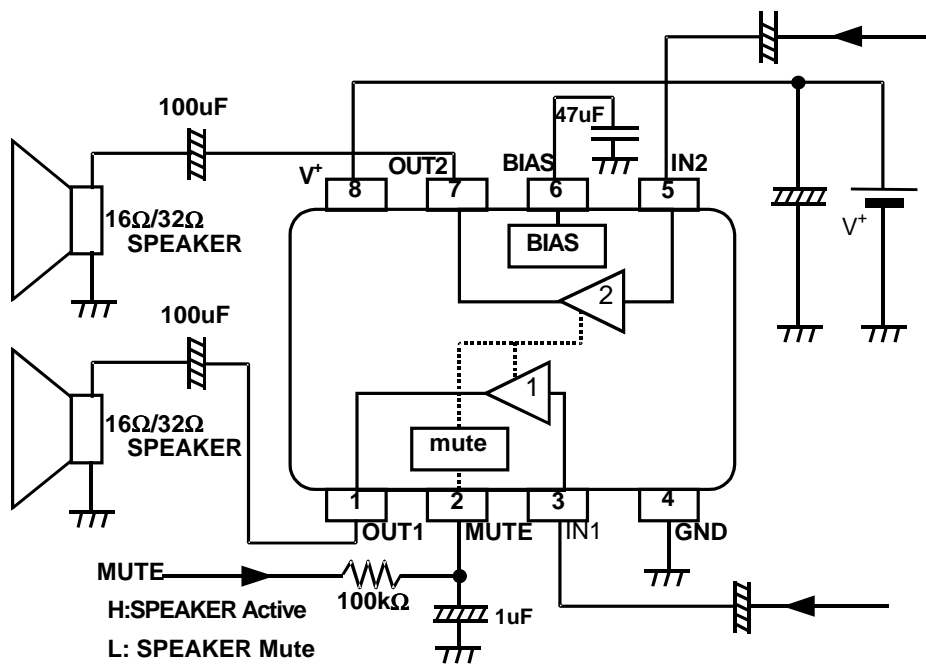
■ ELECTRICAL CHARACTERISTICS (V⁺=5.0V, V_{in}=0dBV, f=1kHz, R_L=32Ω, Ta=25°C unless otherwise specified)

PARAMETER	SYMBOL	TEST CONDITIONS	MIN.	TYP.	MAX.	UNIT
Operating Voltage	V ⁺		4.5	5.0	5.5	V
Operating Current	I _{CC}	No Signal	-	2.0	4.0	mA
Reference Voltage	V _{ref}	No Signal	-	2.1	-	V
Closed Loop Gain	G _V		-1	0	1	dB
Channel Balance	ΔG _V		-0.5	0	+0.5	dB
Output Power	P _{O1}	R _L =32Ω, THD=1%	30	50	-	mW
	P _{O2}	R _L =16Ω, THD=1%	40	100	-	mW
Total Harmonic Distortion	THD		-	0.02	0.1	%
Output Noise Voltage	V _{no}	R _g =0Ω, A-Weighted	-	-104 (6.3)	-94 (20)	dBV (μV _{rms})
Mute Attenuation	ATT	V _o /V _{in}	-	-80	-70	dB
Channel Separation	CS		90	110	-	dB
Ripple Rejection Ratio	RR	V _{ripple} =-20dBV, R _g =0Ω	-	70	-	dB
Input Voltage H-level	V _{IH}		2.0	-	V ⁺	V
Input Voltage L-level	V _{IL}		0.0	-	0.3	V

■ CONTROL PIN INFORMATION

PARAMETER	CONTROL SIGNAL	OPERATING CONDITION
MUTE ON	L	NON-SIGNAL
MUTE OFF	H	OUTPUT SIGNAL

■ TYPICAL APPLICATION



MEMO

[CAUTION]

The specifications on this databook are only given for information, without any guarantee as regards either mistakes or omissions. The application circuits in this databook are described only to show representative usages of the product and not intended for the guarantee or permission of any right including the industrial rights.