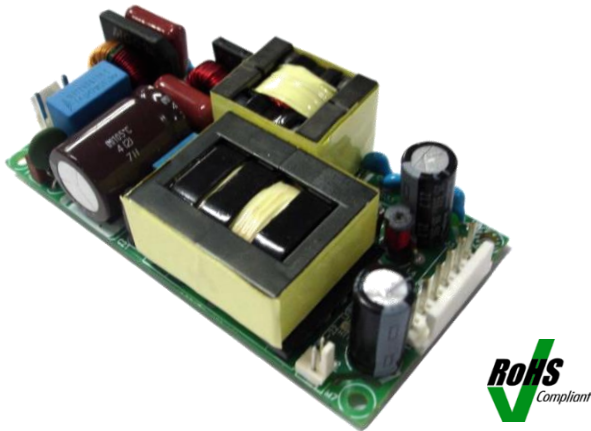


MBC225 Series Low Profile Medical Open Frame Power Supplies



Key Features & Benefits

- 2 x 4 x 1 Inches Form Factor
- 225 W with Forced Air Cooling
- Approval to EN60601 3rd Edition
- Efficiencies up to 94%
- -40 to 70 °C Operating Temperature
- Dual Fusing
- 12 V Fan Output, Thermal Shut-Down Feature
- 3.37 Million Hours, Telcordia - SR332-Issue 3 MTBF
- Standby Power <0.5 W
- Medical (BF) Safety Approvals
- RoHS Compliant
- CE Marked

The MBC225 Series of open-frame medical power supplies, with its wide universal 90-264 VAC input range, is available at 225 W of output power and a variety of single and multiple output voltages. The MBC series was designed to 3rd edition medical approvals and provides 2x MOPP (Means of Patient Protection) isolation for Class I and Class II installations.

These power supplies are ideal for medical, telecom, Datacom, industrial equipment and other applications.

Applications

- Diagnostic
- Drug Pump
- Dialysis
- Home Health Care
- Monitoring
- Portable Equipment

North America

+1-866.513.2839

Asia-Pacific

+86.755.29885888

Europe, Middle East

+353 61 225 977

tech.support@psbel.com
belpowersolutions.com

MBC225 Series

Model Selection

MODEL NUMBER ²	DESCRIPTION	VOLTAGE	MAX. LOAD (CONVECTION) (112.5 W)	MAX. LOAD (CONVECTION) (120 W)	MAX. LOAD (13 CFM)	MIN. LOAD	RIPPLE & NOISE ¹
MBC225-1T12L MBC225-1012L	Screw Terminal Molex Connector	12 V	9.37 A	10.0 A	18.75 A	0.0 A	1%
MBC225-1T15L MBC225-1015L	Screw Terminal Molex Connector	15 V	7.5 A	8.0 A	15 A	0.0 A	1%
MBC225-1T24L MBC225-1024L	Screw Terminal Molex Connector	24 V	4.68 A	5.0 A	9.37 A	0.0 A	1%
MBC225-1T30L MBC225-1030L	Screw Terminal Molex Connector	30 V	3.75 A	4.0 A	7.5 A	0.0 A	1%
MBC225-1T48L MBC225-1048L	Screw Terminal Molex Connector	48 V	2.34 A	2.5 A	4.68 A	0.0 A	1%
MBC225-1T58L MBC225-1058L	Screw Terminal Molex Connector	58 V	1.94 A	2.07 A	3.88 A	0.0 A	1%
COVER-225-XBC	metal cover kit accessory						

NOTES:

- ¹ Ripple is peak to peak with 20 MHz bandwidth and 10 μ F (Tantalum capacitor) in parallel with a 0.1 μ F capacitor at rated line voltage and load ranges.
- ² For Class II (without input Earth pin) add suffix -2 (e.g.: MBC225-1012L-2).
- ³ Combined output power of main output, fan supply shall not exceed max. power rating.
- ⁴ Fan supply output voltage tolerance including set point accuracy, line and load regulation is +/-10% and ripple and noise is less than 10%.

MBC225 Series

TECHNICAL PARAMETERS

Specifications are for nominal input voltage, 25°C unless otherwise stated.

Input Specifications

PARAMETER	DESCRIPTION / CONDITION	SPECIFICATION
Input Voltage	Universal (Derate from 100% at 100 VAC to 90% at 85 VAC)	85-264 VAC / 390 VDC
Input Frequency		47-63 Hz
Input Current	115 VAC: 230 VAC:	2.2 A max. 1.1 A max.
No Load Power	Typical	< 0.5 W
Inrush Current	115 VAC: 230 VAC: 264 VAC:	25 A 45 A 75 A
Leakage Current	Typical (N.A. For Class II Option) Touch current:	300 uA <100 uA
Power Factor	With Full Load	>0.95
Switching Frequency	PFC: PWM:	70 to 130 kHz 50-80 kHz

Output Specifications

PARAMETER	DESCRIPTION / CONDITION	SPECIFICATION
Output Power	With 13 CFM: Convection:	225 W Up to 120 W
Efficiency	48 V: 24 V, 30 V: 12 V, 15 V:	94% 93% 92%
Hold-up Time	225 W: 110 W:	10 ms 16 ms
Line Regulation		+/-0.5%
Load Regulation		+/-0.5%
Transient Response	25% step load change, at 0.1A/uS slew rate, 50% duty cycle, 50 Hz = 4%	Recovery time < 5 ms
Rise Time	Typical	55 ms
Set Point Tolerance		+/-1%
Over Current Protection		>110%
Over Voltage Protection		110 to 140%
Short Circuit Protection	Hiccup mode	

Environmental Specifications

PARAMETER	DESCRIPTION / CONDITION	SPECIFICATION
Operating Temperature	Start-up is guaranteed, with spec deviation, see Fig. 1	-40 to +70°C -40 to 0°C
Storage Temperature		-40 to +85°C
Cooling	With 13 CFM forced air cooling With natural convection cooling at 100 to 264 VAC	225 W Up to 120 W
Relative Humidity	Noncondensing	5% to 95%
Altitude	Operating: Nonoperating:	16,000 ft 40,000 ft.
Reliability	MTBF according to Telcordia -SR332-issue 3:	3.37 million hours

866.513.2839

tech.support@psbel.com

belpowersolutions.com

MBC225 Series

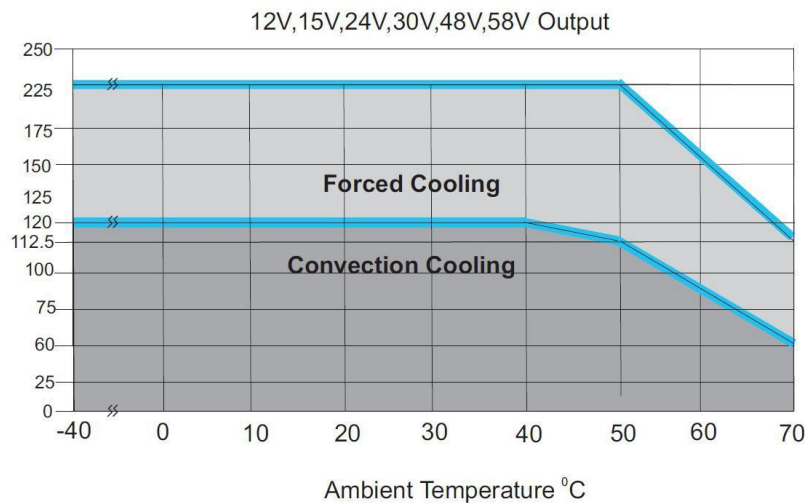
EMC Specifications

PARAMETER	DESCRIPTION / CONDITION	SPECIFICATION
Conducted Emissions	EN55022-B, CISPR22-B, FCC PART15 - B	
Static Discharge	EN61000-4-2:	Level-3
RF Field Susceptibility	EN61000-4-3:	Level-3
Fast Transients/Bursts	EN61000-4-4:	Level-3
Radiated Emissions	Radiated:	Level A
	Radiated with external core (King core K5B RC 25x12x15-M in input cable (5 turns)) :	Level B
Surge Susceptibility	EN61000-4-5:	Level-3
Harmonic Current	EN61000-3-2:	Class D

Safety Specifications

PARAMETER	DESCRIPTION / CONDITION	SPECIFICATION
Isolation Voltage	Input to Output: (Medical applications)	4000 VAC
	Input to GND: (Not Applicable For Class II Option)	1500 VAC
	Output to GND: For type BF For type B (Not Applicable For Class II Option)	1500 VAC 500 VAC
Safety Standard(s)	Approved to the latest edition of the following standards: CSA/UL60601-1, EN60601-1 and IEC60601-1.	
Agency Approvals	Nemko, UL, C-UL	
CE mark	Complies with LVD Directive	

Figure 1 – Derating Curve



866.513.2839

tech.support@psbel.com

belpowersolutions.com

MBC225 Series

Figure 2 – Efficiency Graph at 115 VAC

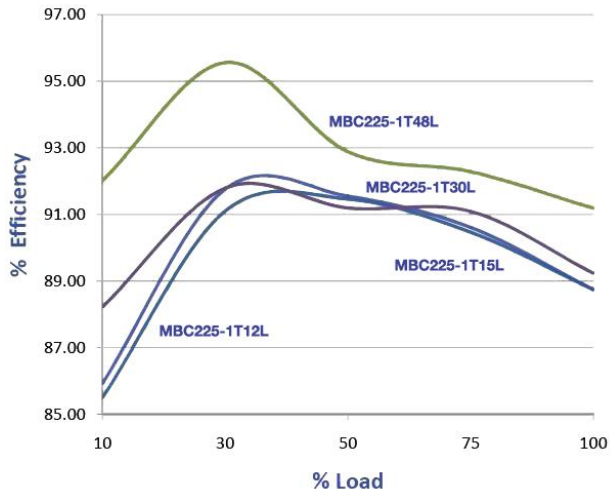
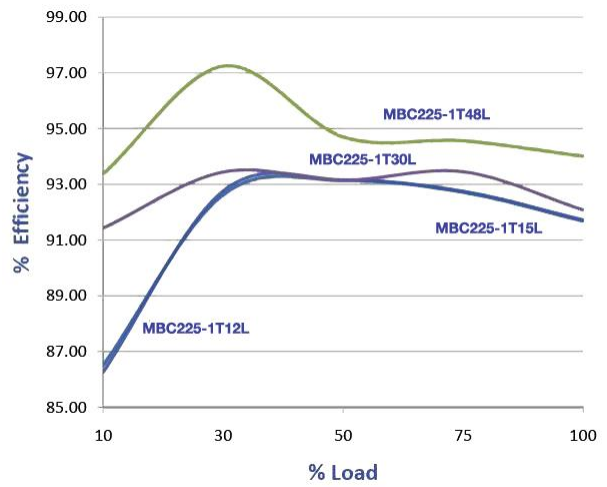


Figure 3 – Efficiency Graph at 230 VAC



Connector & Pin Description

CONNECTOR	PIN	DESCRIPTION/CONDITION	MANUFACTURER / PN
AC Input Connector	J1	Pin 1	AC Line
		Pin 2	Not Fitted
		Pin 3	AC Neutral
DC Output Connector	J2	Pin 1,2,3	V1 +VE
		Pin 4,5,6	V1 - VE
Aux (Fan) Output	J3	Pin 1	FAN +VE
		Pin 2	FAN - VE

Options for DC Output Connector:

- Screw Terminal (Option 1): Molex: 39357 Series or equivalent
- Molex Connector (Option 2): Molex: 26-60-4060; Mating: 09-50-3061; Pins: 08-50-0106

Options for Aux (Fan) Output:

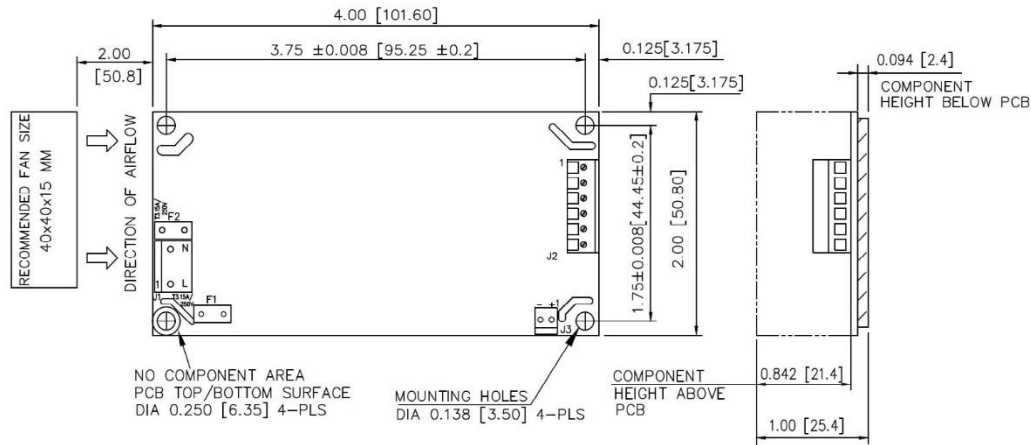
- AMP :640456-2
- Mating: 640440-2

Mechanical

PARAMETER	DESCRIPTION/CONDITION
Weight	200 g approx.
Dimensions	50.8 x 101.6 x 25.4 mm (2 x 4 x 1 inch)

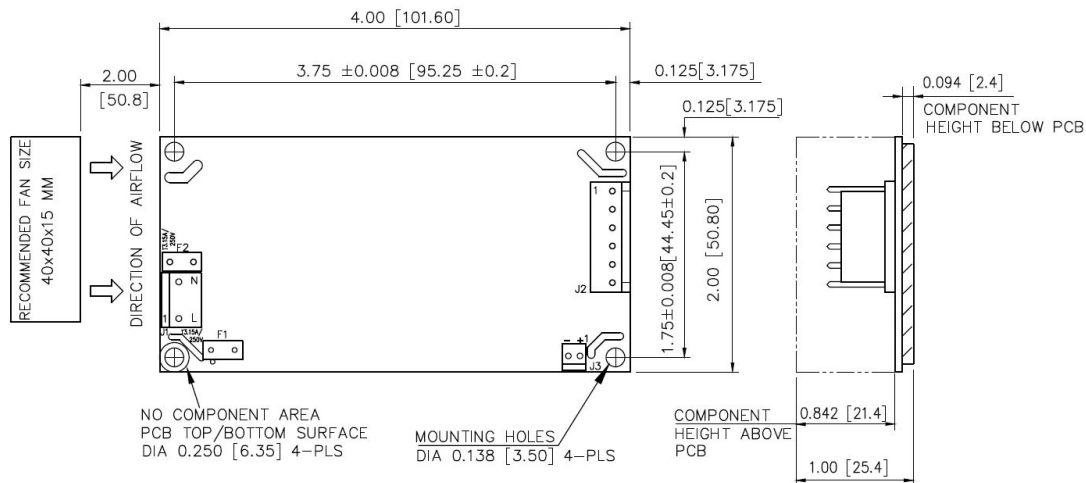
MBC225 Series

Figure 4 - Mechanical Drawing – Screw Terminal (Option 1)



MECHANICAL OUTLINE DIMENSIONS
ALL DIMENSIONS ARE IN INCHES[MM]
GEN TOLERANCE : +/−0.04 [+/−1.0MM]

Figure 5 - Mechanical Drawing – Molex Connector (Option 2)



MECHANICAL OUTLINE DIMENSIONS
ALL DIMENSIONS ARE IN INCHES[MM]
GEN TOLERANCE : +/−0.04[+/−1.0MM]

For more information on these products consult: tech.support@psbel.com

NUCLEAR AND MEDICAL APPLICATIONS - Products are not designed or intended for use as critical components in life support systems, equipment used in hazardous environments, or nuclear control systems.

TECHNICAL REVISIONS - The appearance of products, including safety agency certifications pictured on labels, may change depending on the date manufactured. Specifications are subject to change without notice.