

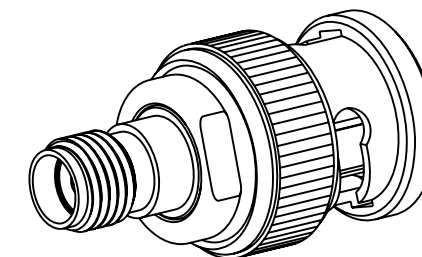
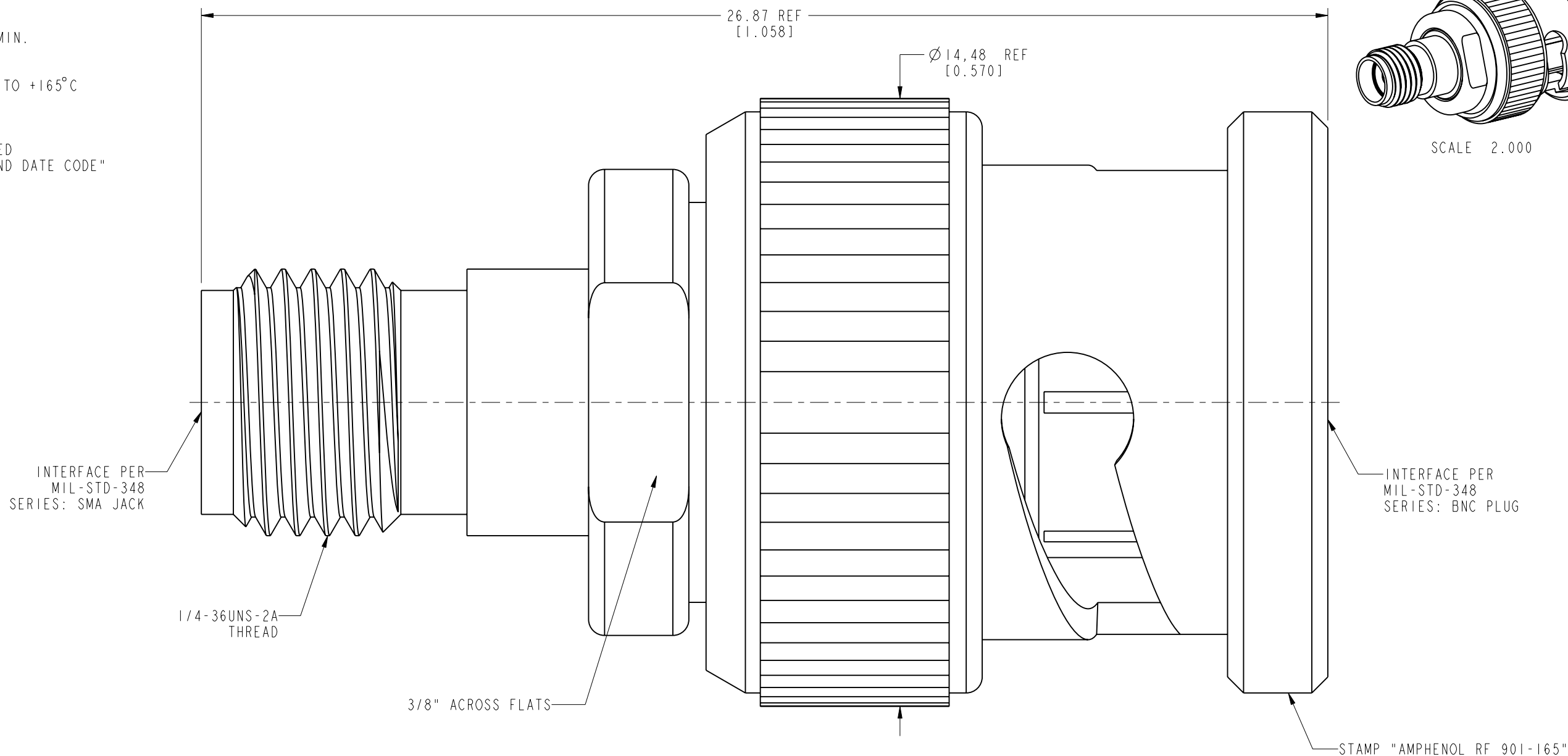
NOTES:

1. MATERIALS AND FINISHES:  
 BODY ,SHELL, WASHER & RETAINING RING - BRASS, NICKEL PLATING  
 BODY- REAR & CONTACT - BeCu, GOLD PLATING  
 CONTACT - BRASS, GOLD PLATING  
 SPRING - BeCu, NICKEL PLATING  
 GASKET - SILICONE RUBBER, RED  
 INSULATORS - PTFE, NATURAL
2. ELECTRICAL:  
 A. IMPEDANCE: 50 OHM  
 B. DIELECTRIC WITHSTANDING VOLTAGE: 1000 VRMS MIN.
3. MECHANICAL:  
 A. DURABILITY: 500 CYCLES MIN.
4. ENVIRONMENTAL:  
 A. TEMPERATURE RANGE: -65°C TO +165°C
5. PACKAGING:  
 A. QUANTITY: SINGLE PACK  
 B. MARKING: BAG TO BE MARKED  
 "AMPHENOL RF, 901-165, AND DATE CODE"

THIRD ANGLE PROJ.

REVISIONS

REV	DESCRIPTION	DATE	ECO	APPR
A	RELEASE TO MFG.	20-Sep-06	18325	BRUCE
K	NOTES WAS CHANGED:ADDED 'BNC BODY PLUG-BRASS'; 'SMA BODY JACK-BeCu,GOLD PLATING' WAS 'BODY- BERYLLIUM COPPER,NICKEL PLATING'; ADDED DIELETRIC WITHSTANDING VOLTAGE; ADDED ENVIRONMENTAL\RD-DM110815011	23-Aug-11	48720	IVAN
L	STAMP AMPHENOL RF 901-165 WAS AMPHENOL 901-165	2/19/16	50996	VK



SCALE 2.000

**CUSTOMER OUTLINE DRAWING**  
 ALL OTHER SHEETS ARE FOR INTERNAL USE ONLY

UNLESS OTHERWISE SPECIFIED, DIMENSIONS ARE IN METRIC AND TOLERANCES ARE: <0.5mm ±0.05mm    0.5 - 6mm ±0.1mm    6 - 30mm ±0.2mm    30 - 120mm ±0.3mm    ANGLES ±1°	MATERIAL	DRAWN	DATE	TITLE SMA STR JACK TO BNC PLUG ADAPTER		Amphenol RF www.amphenolrf.com
	SEE NOTES	I. XU	22-Aug-11			
NOTICE - These drawings, specifications, or other data (1) are, and remain the property of Amphenol corp. (2) must be returned upon request; and (3) are confidential and not to be disclosed to any person other than those to whom they are given by Amphenol Corp. the furnishing of these drawings, specifications, or other data by Amphenol Corp., or to any other person to anyone for any purpose is not to be regarded by implication or otherwise in any manner licensing, granting rights to permitting such holder or any other person to manufacture, use or sell any product, process or design, patented or otherwise, that may in any way be related to or disclosed by said drawings, specifications, or other data.	REFERENCE	ENGINEER	DATE	SCALE: 9.0:1.0		DRAWING NO.901-165
	EAR # & EPA 802202-51	H. PARIKH	24-May-11	SHEET 2 OF 2		
	CONFIGURATION LEVEL: Released	APPROVED	DATE	DWG SIZE	REV	PART NO.901-165
FINISH	S. HSIEH	20-Feb-16	B	L		