

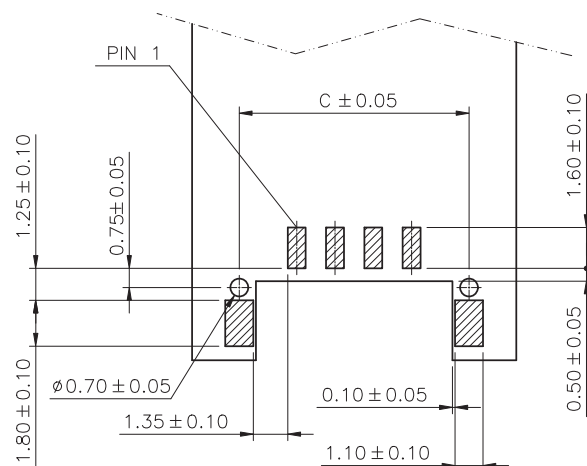
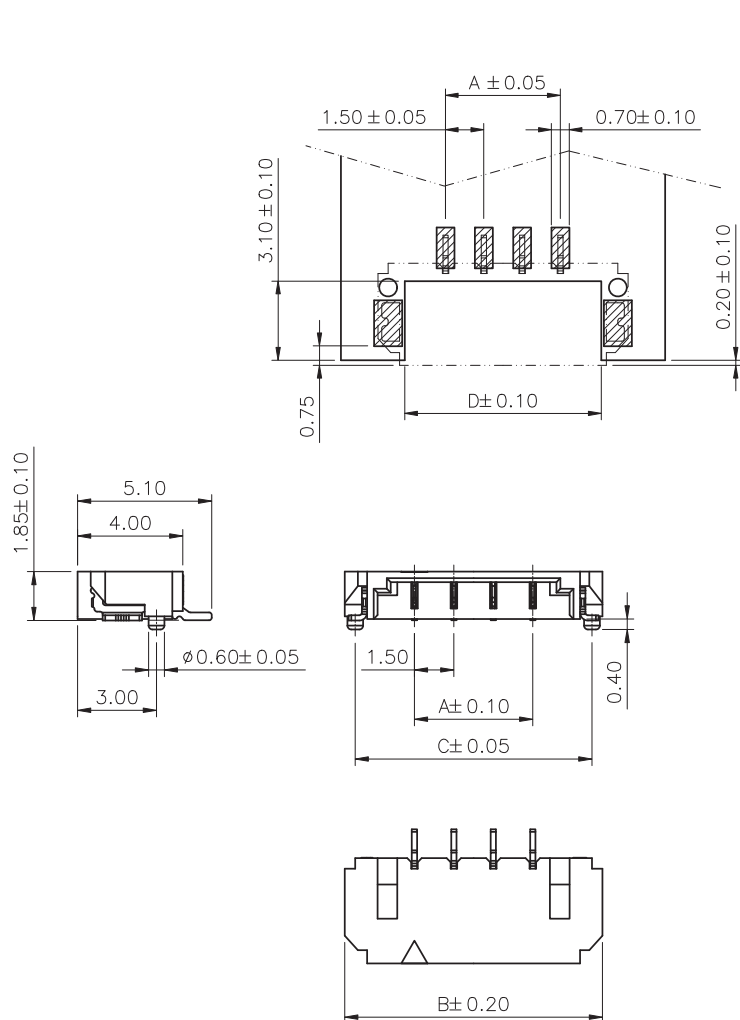
1

2

3

4

5



PCB LAYOUT - COMPONENT VIEW

## TECHNICAL CHARACTERISTICS

## MATERIAL

INSULATOR: PA6T  
 FLAMMABILITY RATING: UL94V0  
 COLOR: WHITE  
 CONTACT MATERIAL: PHOSPHOR BRONZE  
 CONTACT PLATING: 3.05  $\mu$ m MAT TIN OVER 1.27  $\mu$ m Ni  
 SOLDER TAB MATERIAL: BRASS  
 SOLDER TAB PLATING: 3.05  $\mu$ m MAT TIN OVER 1.27  $\mu$ m Ni

## ENVIRONMENTAL

OPERATING TEMPERATURE: -25°C UP TO +85°C  
 COMPLIANCE: HALOGEN AND ROHS

## ELECTRICAL

CURRENT RATING: 1A MAX  
 WORKING VOLTAGE: 150 VAC  
 WITHSTANDING VOLTAGE: 1300 VAC/MIN  
 INSULATION RESISTANCE: > 1000 M $\Omega$   
 CONTACT RESISTANCE: 20 m $\Omega$  MAX

PITCH: 1,50 mm

## SOLDERING

JEDEC LEAD FREE REFLOW SOLDERING PROCESS

## PACKAGING

TAPE &amp; REEL

## DIMENSION

A= 1.5 x (NB. PIN -1)

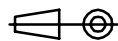
B= A + 5.3

C= A + 4.5

D= A + 3.2

RoHS Compliant

PROJECTION:



GENERAL TOLERANCE

.X =  $\pm$  0.2.XX =  $\pm$  0.15

APPROVAL: GMo

UNIT: MM

SCALE:

SHEET: 1/4

DRAW: AK

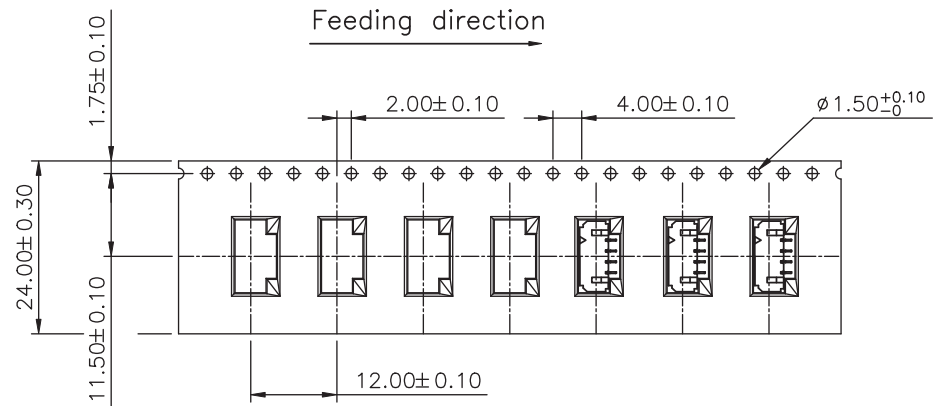
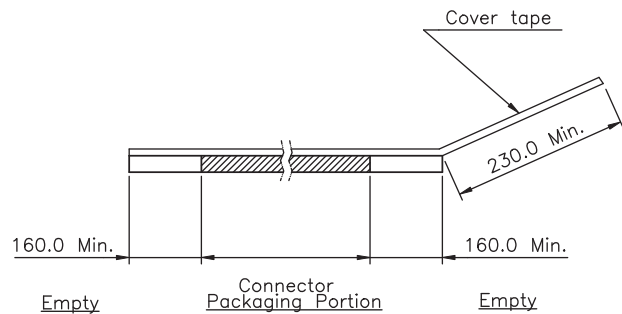
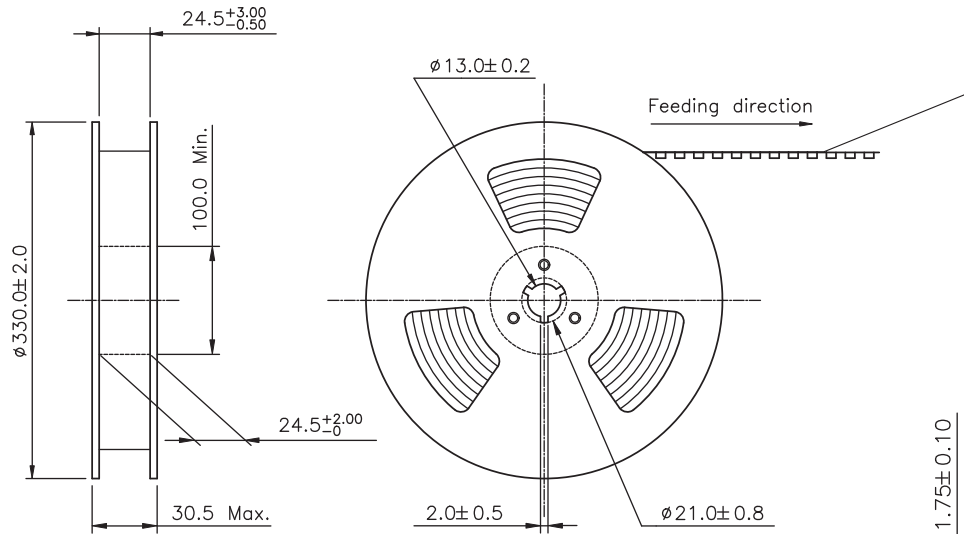
DESCRIPTION: BtB 1.50MM PITCH PLUG HORIZONTAL

WERI PART NO: 695 4xx 150 122

SIZE

A4

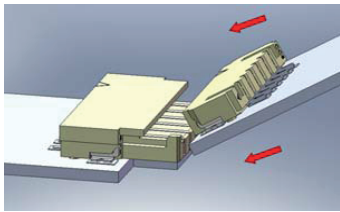
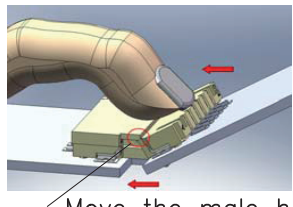
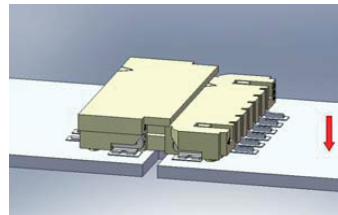
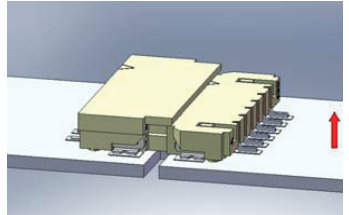
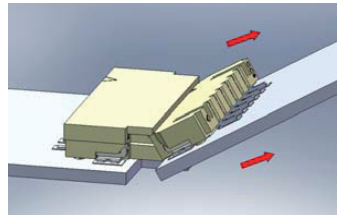
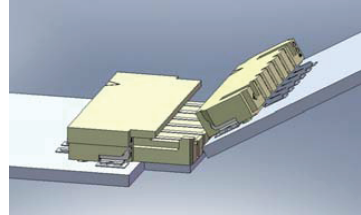
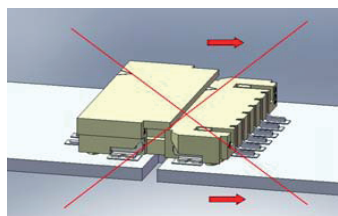
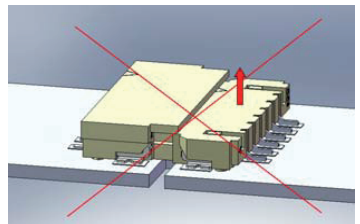
F			
E			
D			
C			
B			
A	16-JUN-15	PDF	AK
REV	DATE	FILE	BY





WIDTH : 24 mm Carrier

1800 pcs/reel  
9 reels/carton  
16200 pcs/carton

RoHS Compliant				PROJECTION: 	GENERAL TOLERANCE .X = +/- 0.2 .XX = +/- 0.15		DESCRIPTION: BtB 1.50MM PITCH PLUG HORIZONTAL	SIZE <b>A4</b>
F								
E								
D								
C			APPROVAL: GMo					
B								
A		PDF						
REV	DATE	FILE	BY					
				UNIT: MM	DESCRIPTION: BtB 1.50MM PITCH PLUG HORIZONTAL		SIZE <b>A4</b>	
				SCALE:	WERI PART NO: 695 4xx 150 122			
				SHEET: 2/4			SIZE <b>A4</b>	
				DRAW: AK				

	1	2	3	4	5	
Mating	<p>Step 1: The male header should be tilted during insertion.</p>  <p>Female Male</p>	<p>Step 2: Push the male header to the end. Make sure the male header is under the rib of female header by finger.</p>  <p>Female Male</p> <p>Move the male header under the rib of female header.</p>	<p>Step 3: Press down the male header down vertically to finish the connection.</p>  <p>Female Male</p>			A
Unmating	<p>Step 1: Lift the male header up at 30°~60°.</p>  <p>Female Male</p>	<p>Step 2: Remove male header at an angle to finish the disconnection.</p>  <p>Female Male</p>	<p>Step 3: Finish</p>  <p>Female Male</p>			B
	<p>Please do not separate the connectors horizontally to prevent damaging them.</p>  <p>Female Male</p>	<p>Please do not separate the connectors vertically to prevent damaging them.</p>  <p>Female Male</p>				C

RoHS Compliant				PROJECTION:	GENERAL TOLERANCE		DESCRIPTION: BtB 1.50MM PITCH PLUG HORIZONTAL	SIZE
F					.X = +/- 0.2			
E					.XX = +/- 0.15			D
D				APPROVAL: GMo	UNIT: MM	WERI PART NO: 695 4xx 150 122		
C					SCALE:			
B					SHEET: 3/4			
A		PDF			DRAW: AK			A4
REV	DATE	FILE	BY					

1

2

3

4

5

## Cautions and Warnings:

This electronic component is designed and developed with the intention for use in general electronics equipments.

Before incorporating the components into any equipments in the field such as aerospace, aviation, nuclear control, submarine, transportation, (automotive control, train control, ship control), transportation signal, disaster prevention, medical, public information network etc. where higher safety and reliability are especially required or if there is possibility of direct damage or injury to human body, Würth Elektronik must be asked for a written approval.

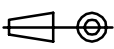

In addition, even electronic component in general electronic equipments, when used in electrical circuits that require high safety, reliability functions or performance, the sufficient reliability evaluation-check for the safety must be performed before by the user before usage.

A

B

C

RoHS Compliant

G				PROJECTION: 	GENERAL TOLERANCE .X = +/- 0.2 .XX = +/- 0.15		
F							
E							
D							
C				APPROVAL: JC	UNIT: MM	DESCRIPTION: DISCLAIMER	SIZE <b>A4</b>
B					SCALE:		
A	10-SEP-14	PDF	QL		SHEET: 4/4	WERI PART NO: DISCLAIMER	
REV	DATE	FILE	BY		DRAW: QL		

D