

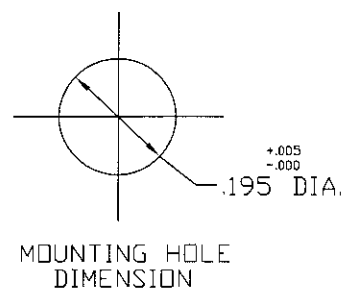
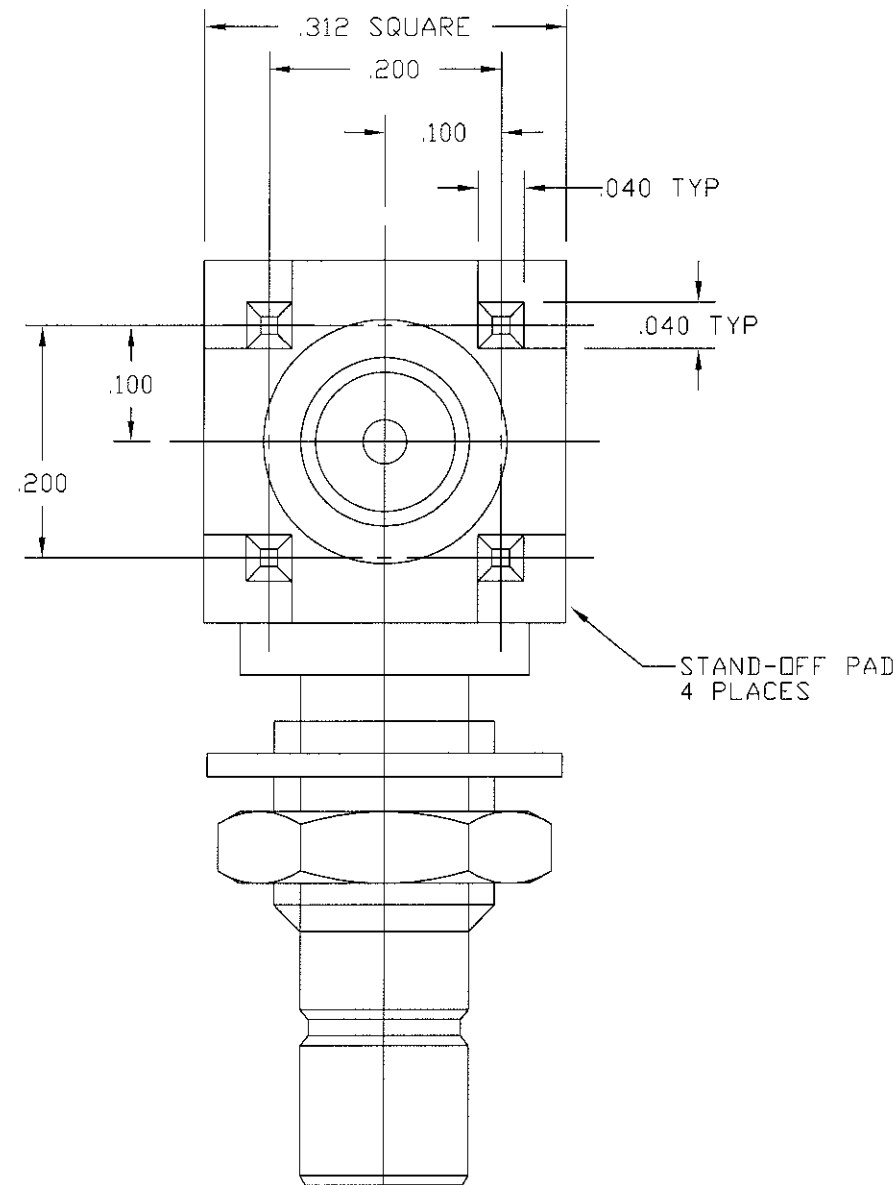
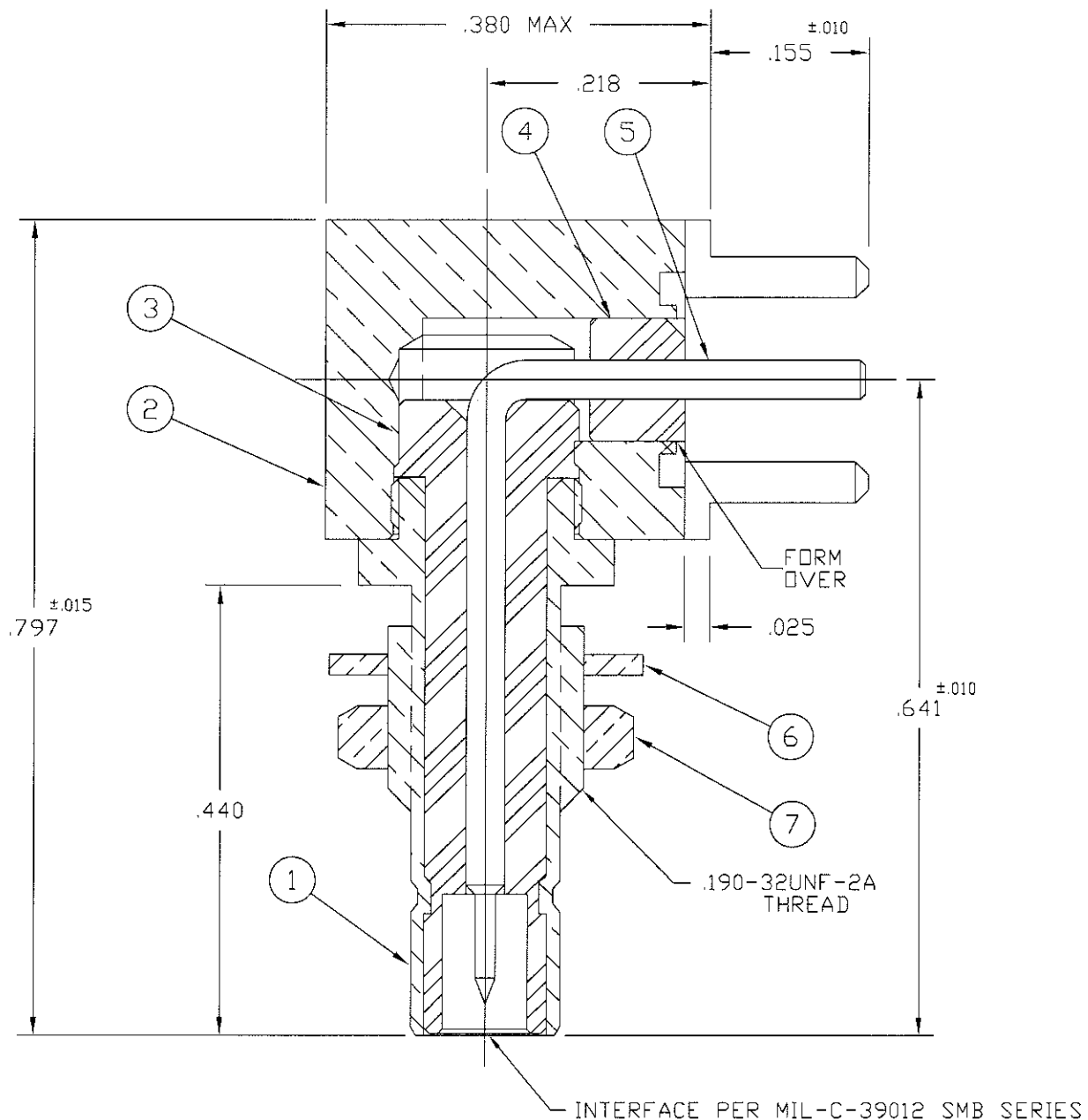
NOTES:

1. PLATE PER AMPHENOL SPEC 349-50560.
2. ITEM 1, MUST WITHSTAND 15 LBS. AXIAL FORCE, & 8 in.lbs TORQUE.
3. PACKAGE CONNECTOR IN ANTI-STATIC BAG 999-284, MARK BAG "AMPHENOL, 903-413J-51A, AND DATE CODE".
4. DO NOT SCALE THIS DRAWING.

903-413J-51A

REVISIONS

DRAWING NO.	REV	DESCRIPTION	DATE	ECO	APPR
THIRD ANGLE PROJ.	A	RELEASE TO MFG.	2/27/91	37943	FH/
	D	REDRAWN WAS 'C' SIZE; ADD NOTE 4; ITEM 2 WAS 903-10321 J; UPDATED PLATE CODES	8/7/98	42557	CPM/
	E	ITEM 2 WAS 903-10539-TB	3/7/05	45399	CPM/



PART NUMBER	QTY	ITEM	DESCRIPTION	FINISH
27-206-HZ	1	7	HEX NUT	NOTE 1
31-10505-HZ	1	6	LOCKWASHER	NOTE 1
903-10330-GY	1	5	CONTACT, MALE	NOTE 1
903-10323	1	4	INSULATOR	
903-10329	1	3	INSULATOR	
903-10539-TV	1	2	CUBE BODY	NOTE 1
903-10328-HZ	1	1	BODY	NOTE 1

UNLESS OTHERWISE SPECIFIED, DIMENSIONS ARE IN INCHES AND TOLERANCES ARE: 2 PLACE DECIMAL ±.015 (0,381 mm) 3 PLACE DECIMAL ±.005 (0,127 mm) ANGLES ± 1'	MATERIAL	DRAWN R. PERCY	DATE 2/4/91	TITLE SMB RT ANGLE BULKHEAD JACK PC MOUNT	Amphenol Amphenol Corporation RF/Microwave Operations Danbury, Conn. U.S.A. 06810	
	REFERENCE EAR 111-961560 1 615X-1049-200	ENGINEER F.S. HULL	DATE 2/15/91	APPROVED		SCALE: 6:1 SHEET OF
NOTICE - These drawings, specifications, or other data (1) are, and remain the property of Amphenol Corp. (2) must be returned upon request; and (3) are confidential and not to be disclosed to any person other than those to whom they are given by Amphenol Corp. The furnishing of these drawings, specifications, or other data by Amphenol Corp., or to any other person to anyone for any purpose is not to be regarded by implication or otherwise in any manner licensing, granting rights or permitting such holder or any other person to manufacture, use or sell any product, process or design, patented or otherwise, that may in any way be related to or disclosed by said drawings, specifications, or other data.		CAD FILE H:\PETE\SMB\903\ASSY\413J51A0	CODE ID 74868	DWG SIZE B	DRAWING NO. 903-413J-51A	REV E