

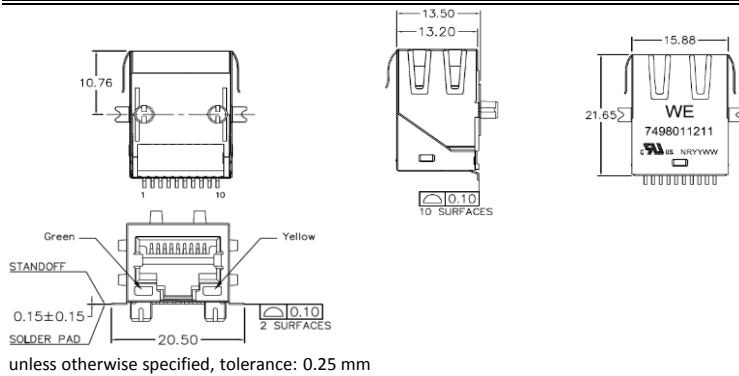
# Spezifikation für Freigabe / specification for release

Kunde / customer :  
 Artikelnummer / part number : **7498011211**  
 Bezeichnung : **LAN-Übertrager WE-RJ45LAN 10/100Base-T**  
 description : **LAN-Transformer WE-RJ45LAN 10/100Base-T**

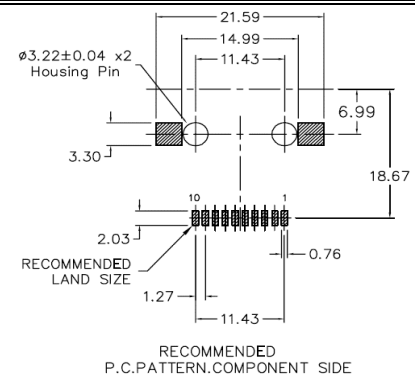


DATUM / DATE : 2016-02-25

## A Mechanische Abmessungen / dimensions :



## B Lötpad / soldering spec. :



## C Elektrische Eigenschaften / electrical properties :

Eigenschaften / properties	Testbedingungen / test conditions		Wert / value	Einheit / unit	tol.
Induktivität / Inductance	100kHz / 100mV @ 8mA DC-Bias	OCL	350	µH	min.
Übersetzungsverhältnis / Turns ratio	100kHz / 100mV	TR	1 : 1	Tx	2%
			1 : 1	Rx	
Insertion Loss	1-100MHz	IL	-1.0	dB	max.
Return Loss	1-30MHz	RL	-18	dB	min.
	30-45MHz		-16		
	45-60MHz		-14		
	60-80MHz		-12		
Common Mode Rejection	1-100MHz	CMR	-35	dB	min.
Crosstalk	1-100MHz	CT	-35	dB	min.

## D Prüfgeräte / test equipment :

Agilent 4395A Network Analyzer

## E Testbedingungen / test conditions :

Luftfeuchtigkeit / humidity: 33%  
 Umgebungstemperatur / temperature: +25°C

## F Werkstoffe & Zulassungen / material & approvals :

Basismaterial / base material: Ferrit/ ferrite  
 Draht / wire: QPN 180  
 Kontaktmaterial/ contact plating: 100% tin w. nickel underplating  
 15µ"gold plating on contact area  
 Gehäuse / housing: Thermoplastic UL94V-0  
 LED: 1.8-2.1 V/ 20mA  
 Shield: 50µ" nickel  
 over 0.01" cooper alloy

## G Eigenschaften / general specifications :

Betriebstemp. / operating temperature: 0°C - +70°C  
 Hochspannungsprüfung / Hipot test: 1500Vrms 1min.  
 Stromtragfähigkeit / Current capability: 350mA  
 Geeignet für PoE-Anwendungen gemäß IEEE 802.3af /  
 Compliant with IEEE 802.3af for PoE Applications  
 UL File: E330599

Freigabe erteilt / general release:	<b>Kunde / customer</b>			
.....				
Datum / date	Unterschrift / signature			
.....	<b>Würth Elektronik</b>			
.....			MMai	Revision 00
Geprüft / checked	Kontrolliert / approved		Name	Änderung / modification
.....				Datum / date

### Würth Elektronik eiSos GmbH & Co.KG

D-74638 Waldenburg · Max-Eyth-Straße 1 - 3 · Germany · Telefon (+49) (0) 7942 - 945 - 0 · Telefax (+49) (0) 7942 - 945 - 400  
 http://www.we-online.com

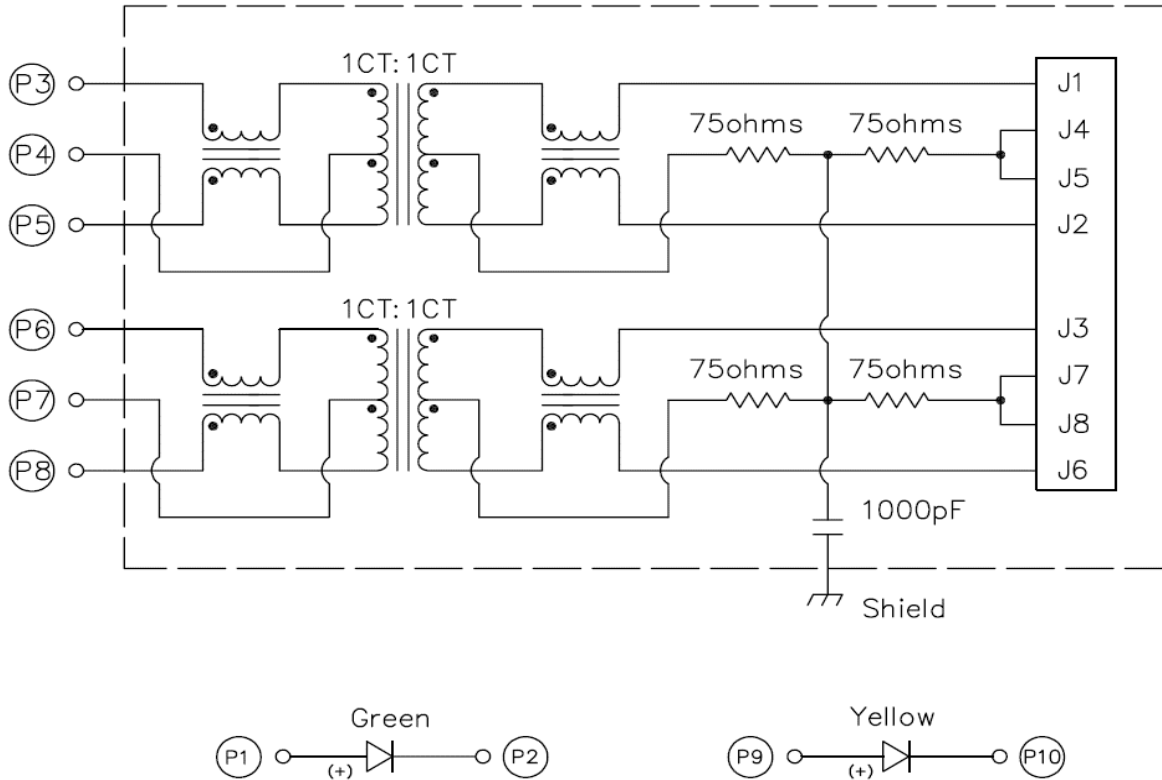
# Spezifikation für Freigabe / specification for release

Kunde / customer :  
 Artikelnummer / part number : **7498011211**  
 Bezeichnung : **LAN-Übertrager WE-RJ45LAN 10/100Base-T**  
 description : **LAN-Transformer WE-RJ45LAN 10/100Base-T**



DATUM / DATE : 2016-02-25

## H Schaltbild / Schematics :



Freigabe erteilt / general release:	Kunde / customer			
.....	.....			
Datum / date	Unterschrift / signature			
	<b>Würth Elektronik</b>			
.....	.....			
Geprüft / checked	Kontrolliert / approved	MMai	Revision 00	2016-02-25
		Name	Änderung / modification	Datum / date

### Würth Elektronik eiSos GmbH & Co.KG

D-74638 Waldenburg · Max-Eyth-Straße 1 - 3 · Germany · Telefon (+49) (0) 7942 - 945 - 0 · Telefax (+49) (0) 7942 - 945 - 400  
<http://www.we-online.com>

# Spezifikation für Freigabe / specification for release

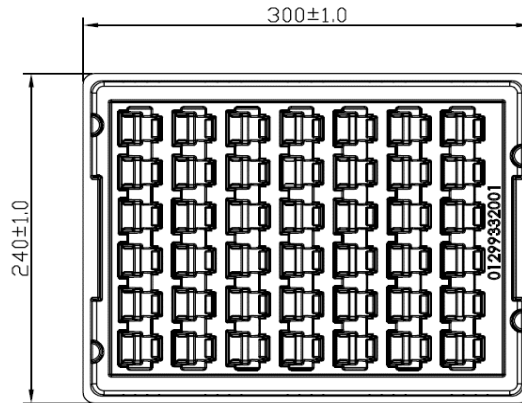
Kunde / customer :  
 Artikelnummer / part number : **7498011211**  
 Bezeichnung : **LAN-Übertrager WE-RJ45LAN 10/100Base-T**  
 description : **LAN-Transformer WE-RJ45LAN 10/100Base-T**



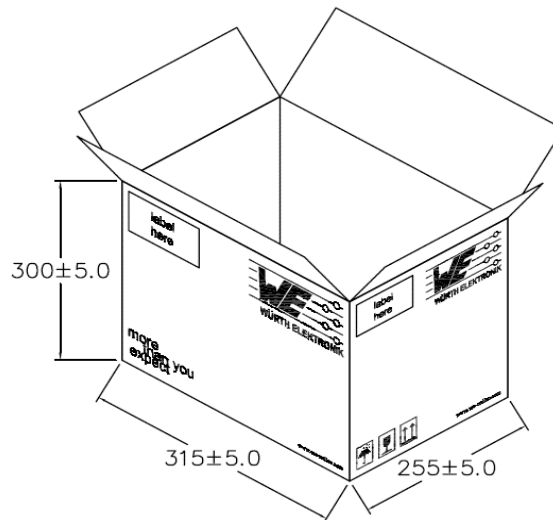
DATUM / DATE : 2016-02-25

## I Verpackungsspezifikation / package specification :

**Tray:**



**Carton:**



**Packing Quantity:**

tray= 42 pcs  
 carton= 588 pcs

**dimensions in mm**

Freigabe erteilt / general release:	<b>Kunde / customer</b>			
.....	.....			
Datum / date	Unterschrift / signature			
.....	<b>Würth Elektronik</b>			
.....	.....			
Geprüft / checked	Kontrolliert / approved	MMai	Revision 00	2016-02-25
		Name	Änderung / modification	Datum / date

This electronic component has been designed and developed for usage in general electronic equipment. Before incorporating this component into any equipment where higher safety and reliability is especially required or if there is the possibility of direct damage or injury to human body, for example in the range of aerospace, aviation, nuclear control, submarine, transportation, (automotive control, train control, ship control), transportation signal, disaster prevention, medical, public information network etc, Würth Elektronik eiSos GmbH must be informed before the design-in stage. In addition, sufficient reliability evaluation checks for safety must be performed on every electronic component which is used in electrical circuits that require high safety and reliability functions or performance.

### Würth Elektronik eiSos GmbH & Co.KG

D-74638 Waldenburg · Max-Eyth-Straße 1 - 3 · Germany · Telefon (+49) (0) 7942 - 945 - 0 · Telefax (+49) (0) 7942 - 945 - 400  
<http://www.we-online.com>