

THE INFORMATION CONTAINED HEREIN IS CONSIDERED "PROPRIETARY" TO BEL FUSE INC. AND SHALL NOT BE COPIED, REPRODUCED OR DISCLOSED WITHOUT THE WRITTEN APPROVAL OF BEL FUSE INC.

LED1 POLARITY			LED2 POLARITY		
PIN 7	PIN 8	COLOR	PIN 9	PIN 10	COLOR
-	+	GREEN	-	+	GREEN

RoHS

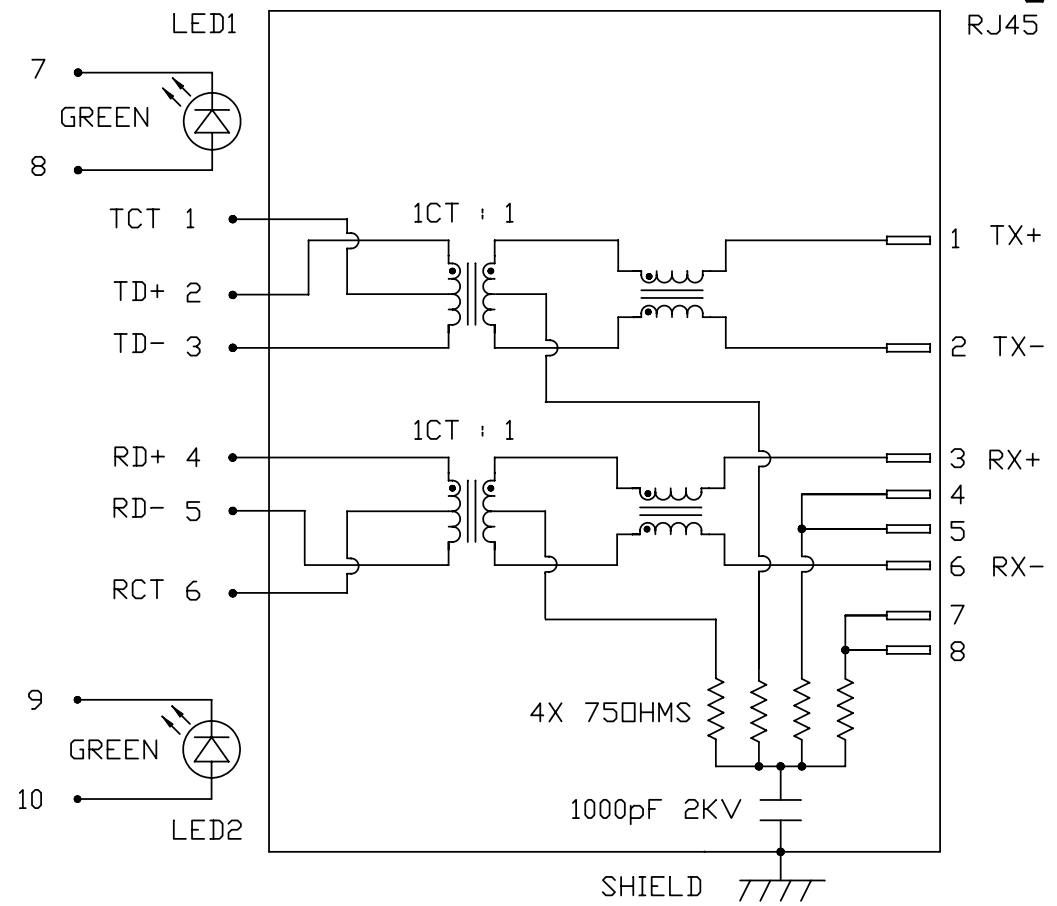


SCHEMATIC

RJ45

ELECTRICAL CHARACTERISTICS @ 25°C

<p> URNS RATIO TX 1CT : 1 RX 1CT : 1 □CL @ 100kHz/100mVRMS 8mA DC BIAS 350µH MIN. INS. LOSS 1MHz TO 100MHz -1.0 dB MAX RET. LOSS (MIN) 1MHz-30MHz -18 dB 30MHz-60MHz -18+20LOG(F/30MHz) dB 60MHz-80MHz -12 dB CROSS TALK (TX - RX) 500kHz-1MHz -70 dB MIN 10 MHz -50 dB MIN 30 MHz -45 dB MIN 50 MHz -40 dB MIN 100 MHz -35 dB MIN CM TO CM REJ 100kHz-1MHz -70 dB MIN 10 MHz -47 dB MIN 30 MHz -42 dB MIN 60 MHz -37 dB MIN 100 MHz -30 dB MIN CM TO DM REJ 100kHz-1MHz -70 dB MIN 10 MHz -60 dB MIN 30 MHz -50 dB MIN 60 MHz -45 dB MIN 100 MHz -40 dB MIN HIPOT (Isolation Voltage): 1500 Vrms 100% OF PRODUCTION TESTED TO COMPLY WITH IEEE 802.3 ISOLATION REQUIREMENTS. </p>	
--	--



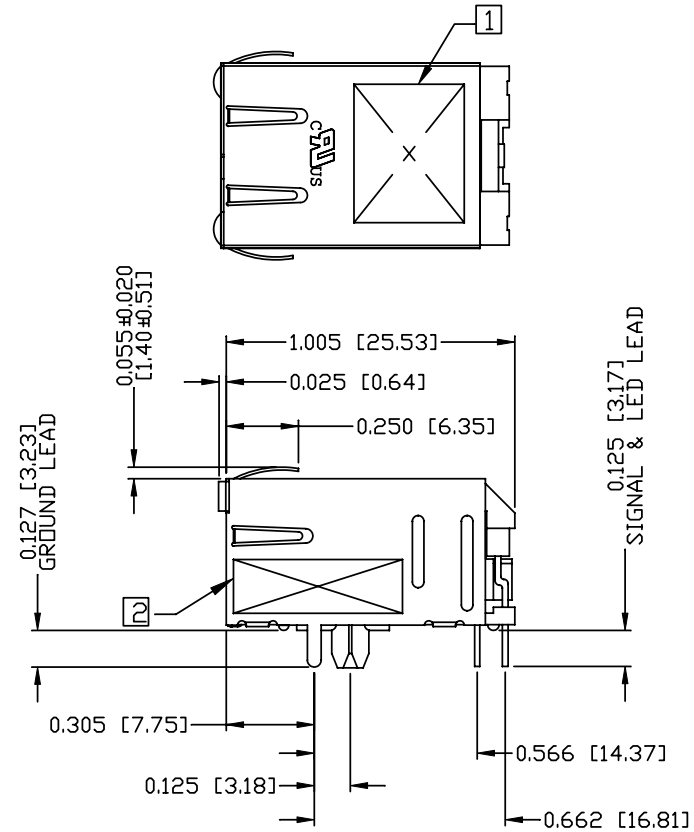
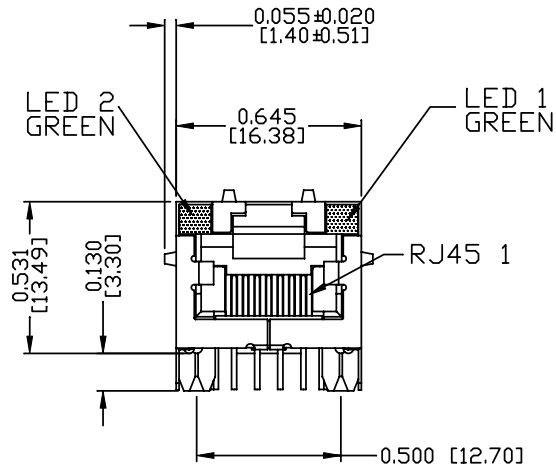
LED1 and LED2
 VF (FORWARD VOLTAGE) IF=20mA GREEN 2.2V TYP.
 λD (DOMINANT WAVELENGTH) IF=20mA GREEN 565nm TYP.

<p> ORIGINATED BY CHOW WANCHUNG </p>	<p> DATE 2012-07-09 </p>	<p> TITLE MagJack® (4 Cores, MDIX, CM Termination) </p>	<p> PART NO. / DRAWING NO. 08B01G1T06-F </p>	<p> STANDARD DIM. TOL. IN INCH .X .XX .XXX </p>	<p> [] METRIC DIM. AS REFERENCE UNIT : INCH [mm] SCALE : N/A REV. : B SIZE : A4 PAGE : 2 </p>	
<p> DRAWN BY TAN QIGUANG </p>	<p> DATE 2012-07-09 </p>	<p> FILE NAME 08B0-1G1T-06-F PATENTED 08B01G1T06-F_B.DWG </p>				

THE INFORMATION CONTAINED HEREIN IS CONSIDERED "PROPRIETARY" TO BEL FUSE INC. AND SHALL NOT BE COPIED, REPRODUCED OR DISCLOSED WITHOUT THE WRITTEN APPROVAL OF BEL FUSE INC.

MECHANICAL SPECIFICATION

RoHS



NOTES:

- PLASTIC HOUSING: THERMOPLASTIC PBT
FLAMMABILITY RATING UL 94V-0
- CONTACTS PLATING: 15 MICRO-INCH HARD GOLD PLATING OR EQUIVALENT.
- PINS: TIN-COATED COPPER WIRE, DIA 0.018 INCH.
- METAL SHIELD: PRE-PLATED NICKEL ON COPPER ALLOY.
- ☐ MARK PART WITH MFG LOGO, MFG NAME, PART NUMBER AND DATE CODE.
- ☒ "PATENTED" MARKING.

- 3. THE PRODUCT IS RoHS COMPLIANT.
- 4. JACK CAVITY CONFORMS TO FCC RULES AND REGULATIONS, PART 68 SUBPART F.
- 5. THE PRODUCT IS PATENTED. THE PATENT NUMBER IS U.S. PAT. 5,736,910.

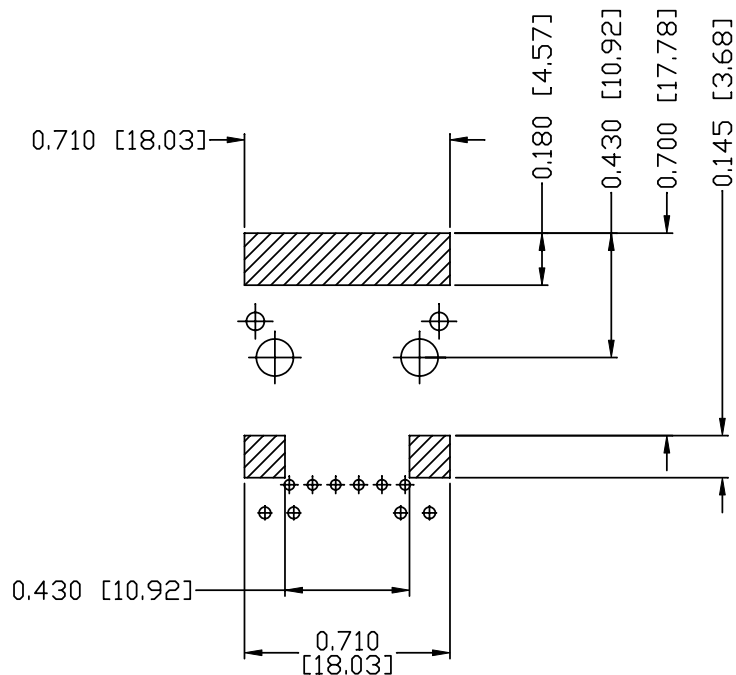
c UL RECOGNIZED - FILE #E196366 AND E169987.

ORIGINATED BY ANTON LIAO	DATE 2012-07-09	TITLE MagJack® (4 Cores, MDIX, CM Termination)	PART NO. / DRAWING NO. 08B01G1T06-F	STANDARD DIM. TOL. IN INCH		[] METRIC DIM. AS REFERENCE	
				.X		UNIT : INCH [mm]	REV. : B
DRAWN BY HE ZHEN	DATE 2012-07-09	08B0-1G1T-06-F PATENTED	FILE NAME 08B01G1T06-F_B.DWG	.XX		SCALE : N/A	SIZE : A4
				.XXX	±0.010		PAGE : 3

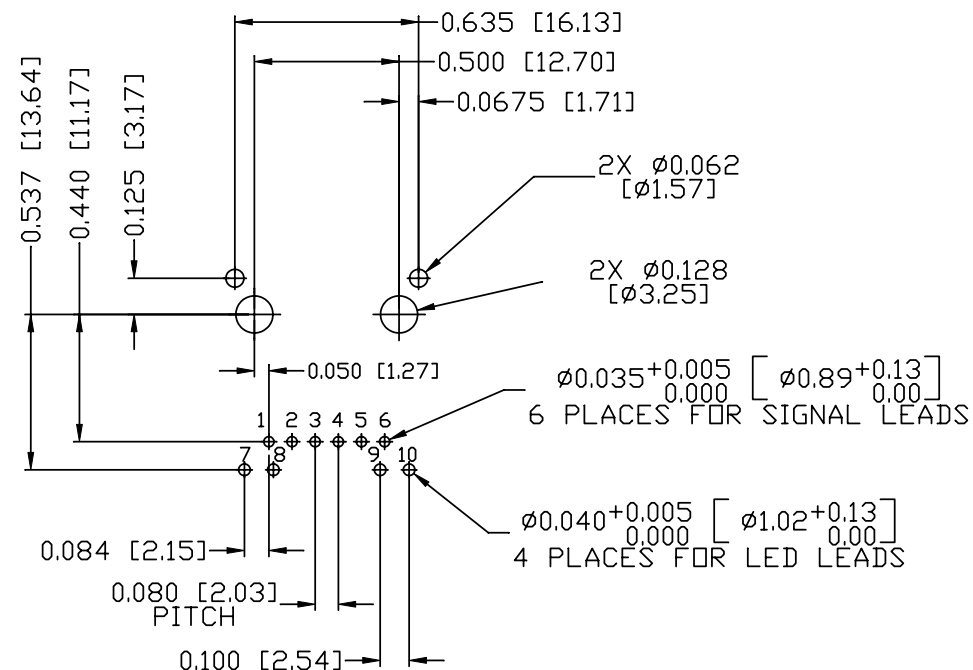


THE INFORMATION CONTAINED HEREIN IS CONSIDERED "PROPRIETARY" TO BEL FUSE INC. AND SHALL NOT BE COPIED, REPRODUCED OR DISCLOSED WITHOUT THE WRITTEN APPROVAL OF BEL FUSE INC.

RoHS



RECOMMENDED PCB FOOTPRINT
COMPONENT SIDE VIEW



NOTES:

THE SHADED AREA ON THE CUSTOMER BOARD ARE RECOMMENDED TO BE CLEAR OFF ANY VIA HOLE OR COMPONENT PAD.

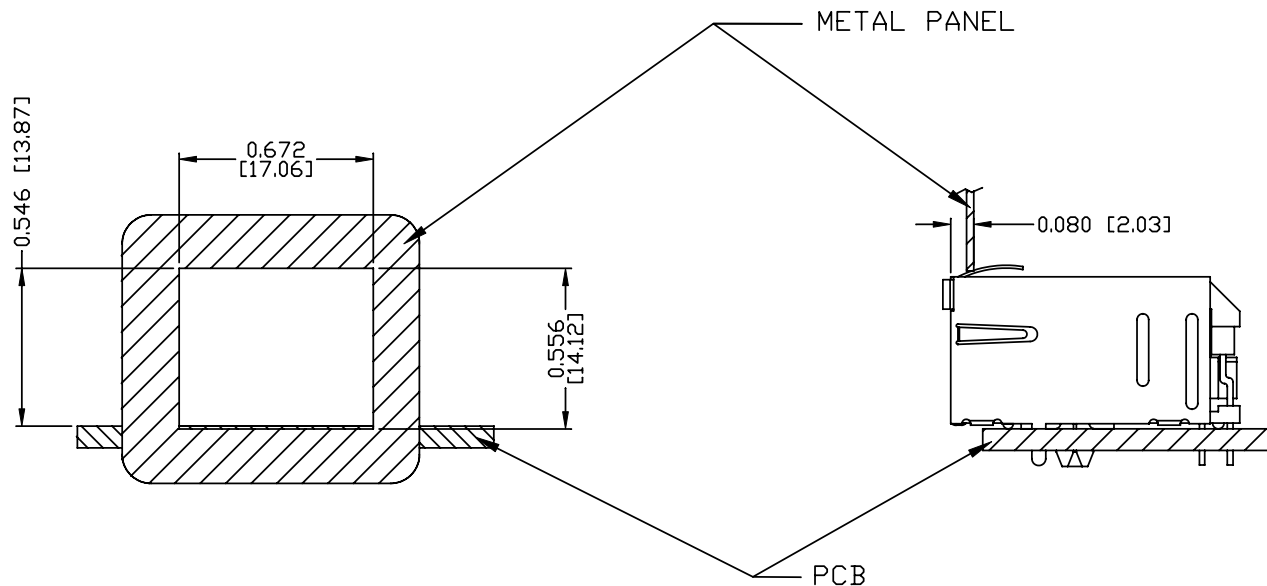
ORIGINATED BY ANTON LIAO	DATE 2012-07-09	TITLE MagJack® (4 Cores, MDIX, CM Termination)	PART NO. / DRAWING NO. 08B01G1T06-F	STANDARD DIM. TOL. IN INCH		[] METRIC DIM. AS REFERENCE		 COMPONENTS FOR A CONNECTED PLANET
				.X		UNIT : INCH [mm]	REV. : B	
DRAWN BY HE ZHEN	DATE 2012-07-09	08B0-1G1T-06-F PATENTED	FILE NAME 08B01G1T06-F_B.DWG	.XX		SCALE : N/A	SIZE : A4	PAGE : 4
				.XXX	±0.004			

THE INFORMATION CONTAINED HEREIN IS CONSIDERED "PROPRIETARY" TO BEL FUSE INC. AND SHALL NOT BE COPIED, REPRODUCED OR DISCLOSED WITHOUT THE WRITTEN APPROVAL OF BEL FUSE INC.

RoHS



SUGGESTED PANEL OPENING



NOTE:

THE DISTANCE OF PANEL INSIDE SURFACE RELATIVE TO FRONT SURFACE OF PART IS ONLY A SUGGESTION. IN CASE THIS DISTANCE IS DIFFERENT, THE REQUIRED PANEL OPENING DIMENSIONS CHANGE ACCORDINGLY.

PACKING INFORMATION

PACKING TRAY : 0200-9999-D4 (TOP)

0200-9999-D5 (BOTTOM)

PACKING QUANTITY : 60 PCS FINISHED GOODS PER TRAY

11 TRAYS (660 PCS FINISHED GOODS) PER CARTON BOX

NOTE : CARDBOARDS ARE PLACED BETWEEN LAYERS OF PACKING TRAY INSIDE CARTON BOX (INCLUDE THE UPPERMOST AND LOWERMOST TRAY)

ORIGINATED BY ANTON LIAO	DATE 2012-07-09	TITLE MagJack® (4 Cores, MDIX, CM Termination)	PART NO. / DRAWING NO. 08B01G1T06-F	STANDARD DIM. TOL. IN INCH		[] METRIC DIM. AS REFERENCE		bel
				.X		UNIT : INCH [mm]	REV. : B	
DRAWN BY HE ZHEN	DATE 2012-07-09	08B0-1G1T-06-F PATENTED	FILE NAME 08B01G1T06-F_B.DWG	.XX		SCALE : N/A	SIZE : A4	COMPONENTS FOR A CONNECTED PLANET
				.XXX	±0.004	⊕	PAGE : 5	