



Is Now Part of



**ON Semiconductor®**

To learn more about ON Semiconductor, please visit our website at

[www.onsemi.com](http://www.onsemi.com)

ON Semiconductor and the ON Semiconductor logo are trademarks of Semiconductor Components Industries, LLC dba ON Semiconductor or its subsidiaries in the United States and/or other countries. ON Semiconductor owns the rights to a number of patents, trademarks, copyrights, trade secrets, and other intellectual property. A listing of ON Semiconductor's product/patent coverage may be accessed at [www.onsemi.com/site/pdf/Patent-Marking.pdf](http://www.onsemi.com/site/pdf/Patent-Marking.pdf). ON Semiconductor reserves the right to make changes without further notice to any products herein. ON Semiconductor makes no warranty, representation or guarantee regarding the suitability of its products for any particular purpose, nor does ON Semiconductor assume any liability arising out of the application or use of any product or circuit, and specifically disclaims any and all liability, including without limitation special, consequential or incidental damages. Buyer is responsible for its products and applications using ON Semiconductor products, including compliance with all laws, regulations and safety requirements or standards, regardless of any support or applications information provided by ON Semiconductor. "Typical" parameters which may be provided in ON Semiconductor data sheets and/or specifications can and do vary in different applications and actual performance may vary over time. All operating parameters, including "Typicals" must be validated for each customer application by customer's technical experts. ON Semiconductor does not convey any license under its patent rights nor the rights of others. ON Semiconductor products are not designed, intended, or authorized for use as a critical component in life support systems or any FDA Class 3 medical devices or medical devices with a same or similar classification in a foreign jurisdiction or any devices intended for implantation in the human body. Should Buyer purchase or use ON Semiconductor products for any such unintended or unauthorized application, Buyer shall indemnify and hold ON Semiconductor and its officers, employees, subsidiaries, affiliates, and distributors harmless against all claims, costs, damages, and expenses, and reasonable attorney fees arising out of, directly or indirectly, any claim of personal injury or death associated with such unintended or unauthorized use, even if such claim alleges that ON Semiconductor was negligent regarding the design or manufacture of the part. ON Semiconductor is an Equal Opportunity/Affirmative Action Employer. This literature is subject to all applicable copyright laws and is not for resale in any manner.

# FSB50660SF, FSB50660SFT

## Motion SPM<sup>®</sup> 5 SuperFET<sup>®</sup> Series

### Features

- UL Certified No. E209204 (UL1557)
- 600 V  $R_{DS(on)} = 700 \text{ m}\Omega(\text{Max})$  SuperFET MOSFET 3-Phase Inverter with Gate Drivers and Protection
- Built-in Bootstrap Diodes Simplify PCB Layout
- Separate Open-Source Pins from Low-Side MOSFETS for Three-Phase Current-Sensing
- Active-HIGH Interface, Works with 3.3 / 5 V Logic, Schmitt-trigger Input
- Optimized for Low Electromagnetic Interference
- HVIC Temperature-Sensing Built-in for Temperature Monitoring
- HVIC for Gate Driving and Under-Voltage Protection
- Isolation Rating: 1500 Vrms / 1 min.
- RoHS Compliant

### Applications

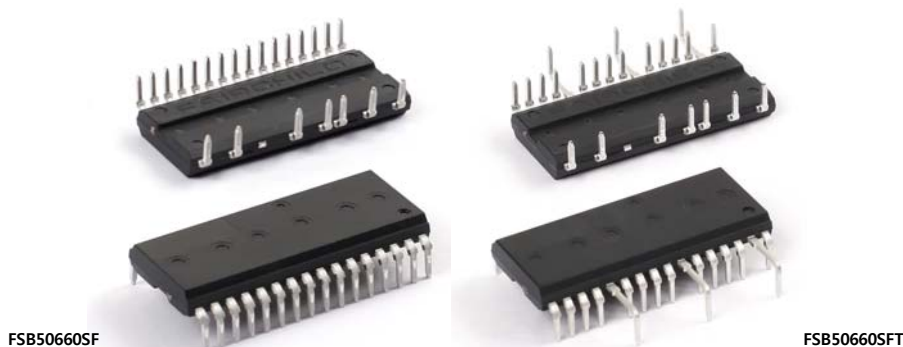
- 3-Phase Inverter Driver for Small Power AC Motor Drives

### Related Source

- [RD-402 - Reference Design for Motion SPM 5 SuperFET Series](#)
- [AN-9082 - Motion SPM5 Series Thermal Performance by Contact Pressure](#)
- [AN-9080 - User's Guide for Motion SPM 5 Series V2](#)

### General Description

The FSB50660SF/SFT is an advanced Motion SPM<sup>®</sup> 5 module providing a fully-featured, high-performance inverter output stage for AC Induction, BLDC and PMSM motors such as refrigerators, fans and pumps. These modules integrate optimized gate drive of the built-in MOSFETs(SuperFET<sup>®</sup> technology) with to minimize EMI and losses, while also providing multiple on-module protection features including under-voltage lockouts and thermal monitoring. The built-in high-speed HVIC requires only a single supply voltage and translates the incoming logic-level gate inputs to the high-voltage, high-current drive signals required to properly drive the module's internal MOSFETs. Separate open-source MOSFET terminals are available for each phase to support the widest variety of control algorithms.



### Package Marking & Ordering Information

| Device      | Device Marking | Package   | Packing Type | Quantity |
|-------------|----------------|-----------|--------------|----------|
| FSB50660SF  | 50660SF        | SPM5P-023 | Rail         | 15       |
| FSB50660SFT | 50660SFT       | SPM5N-023 | Rail         | 15       |

## Absolute Maximum Ratings

**Inverter Part** (each MOSFET unless otherwise specified.)

| Symbol        | Parameter                             | Conditions  | Rating | Unit      |
|---------------|---------------------------------------|---|--------|-----------|
| $V_{DSS}$     | Drain-Source Voltage of Each MOSFET   |   | 600    | V         |
| * $I_{D\ 25}$ | Each MOSFET Drain Current, Continuous | $T_C = 25^\circ\text{C}$                              | 3.1    | A         |
| * $I_{D\ 80}$ | Each MOSFET Drain Current, Continuous | $T_C = 80^\circ\text{C}$                              | 2.3    | A         |
| * $I_{DP}$    | Each MOSFET Drain Current, Peak       | $T_C = 25^\circ\text{C}$ , $PW < 100\ \mu\text{s}$    | 8.1    | A         |
| * $I_{DRMS}$  | Each MOSFET Drain Current, Rms        | $T_C = 80^\circ\text{C}$ , $F_{PWM} < 20\ \text{kHz}$ | 1.6    | $A_{rms}$ |
| * $P_D$       | Maximum Power Dissipation             | $T_C = 25^\circ\text{C}$ , For Each MOSFET            | 14.2   | W         |

**Control Part** (each HVIC unless otherwise specified.)

| Symbol   | Parameter              | Conditions                       | Rating                   | Unit |
|----------|------------------------|----------------------------------|--------------------------|------|
| $V_{CC}$ | Control Supply Voltage | Applied Between $V_{CC}$ and COM | 20                       | V    |
| $V_{BS}$ | High-side Bias Voltage | Applied Between $V_B$ and $V_S$  | 20                       | V    |
| $V_{IN}$ | Input Signal Voltage   | Applied Between IN and COM       | $-0.3 \sim V_{CC} + 0.3$ | V    |

**Bootstrap Diode Part** (each bootstrap diode unless otherwise specified.)

| Symbol      | Parameter                          | Conditions                                       | Rating | Unit |
|-------------|------------------------------------|--|--------|------|
| $V_{RRMB}$  | Maximum Repetitive Reverse Voltage |  | 600    | V    |
| * $I_{FB}$  | Forward Current                    | $T_C = 25^\circ\text{C}$                         | 0.5    | A    |
| * $I_{FPB}$ | Forward Current (Peak)             | $T_C = 25^\circ\text{C}$ , Under 1ms Pulse Width | 1.5    | A    |

### Thermal Resistance

| Symbol          | Parameter                           | Conditions  | Rating | Unit               |
|-----------------|-------------------------------------|---|--------|--------------------|
| $R_{\theta JC}$ | Junction to Case Thermal Resistance | Each MOSFET under Inverter Operating Condition (1st Note 1) | 8.8    | $^\circ\text{C/W}$ |

### Total System

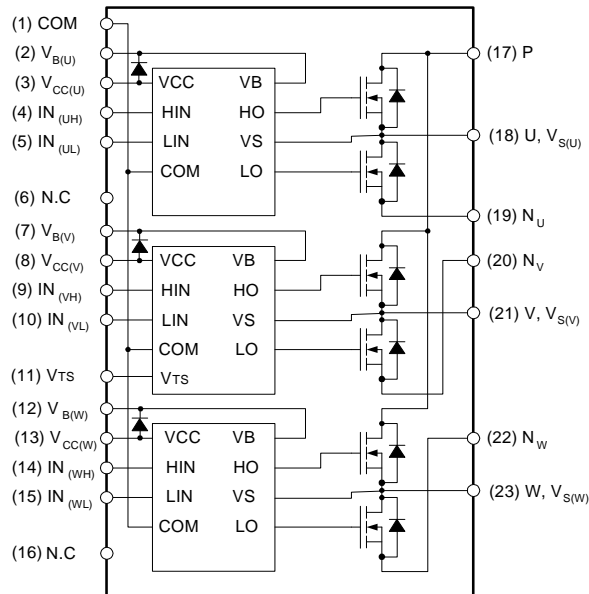
| Symbol    | Parameter                      | Conditions   | Rating         | Unit             |
|-----------|--------------------------------|--|----------------|------------------|
| $T_J$     | Operating Junction Temperature |  | $-40 \sim 150$ | $^\circ\text{C}$ |
| $T_{STG}$ | Storage Temperature            |  | $-40 \sim 125$ | $^\circ\text{C}$ |
| $V_{ISO}$ | Isolation Voltage              | 60 Hz, Sinusoidal, 1 Minute, Connect Pins to Heat Sink Plate | 1500           | $V_{rms}$        |

#### 1st Notes:

- For the measurement point of case temperature  $T_C$ , please refer to Figure 4.
- Marking "\*" is calculation value or design factor.

### Pin descriptions

| Pin Number | Pin Name      | Pin Description   |
|------------|---------------|---|
| 1          | COM           | IC Common Supply Ground   |
| 2          | $V_{B(U)}$    | Bias Voltage for U-Phase High-Side MOSFET Driving                     |
| 3          | $V_{CC(U)}$   | Bias Voltage for U-Phase IC and Low-Side MOSFET Driving               |
| 4          | $IN_{(UH)}$   | Signal Input for U-Phase High-Side                                    |
| 5          | $IN_{(UL)}$   | Signal Input for U-Phase Low-Side                                     |
| 6          | N.C           | No Connection   |
| 7          | $V_{B(V)}$    | Bias Voltage for V-Phase High Side MOSFET Driving                     |
| 8          | $V_{CC(V)}$   | Bias Voltage for V-Phase IC and Low Side MOSFET Driving               |
| 9          | $IN_{(VH)}$   | Signal Input for V-Phase High-Side                                    |
| 10         | $IN_{(VL)}$   | Signal Input for V-Phase Low-Side                                     |
| 11         | $V_{TS}$      | Output for HVIC Temperature Sensing                                   |
| 12         | $V_{B(W)}$    | Bias Voltage for W-Phase High-Side MOSFET Driving                     |
| 13         | $V_{CC(W)}$   | Bias Voltage for W-Phase IC and Low-Side MOSFET Driving               |
| 14         | $IN_{(WH)}$   | Signal Input for W-Phase High-Side                                    |
| 15         | $IN_{(WL)}$   | Signal Input for W-Phase Low-Side                                     |
| 16         | N.C           | No Connection   |
| 17         | P             | Positive DC-Link Input  |
| 18         | U, $V_{S(U)}$ | Output for U-Phase & Bias Voltage Ground for High-Side MOSFET Driving |
| 19         | $N_U$         | Negative DC-Link Input for U-Phase                                    |
| 20         | $N_V$         | Negative DC-Link Input for V-Phase                                    |
| 21         | V, $V_{S(V)}$ | Output for V-Phase & Bias Voltage Ground for High-Side MOSFET Driving |
| 22         | $N_W$         | Negative DC-Link Input for W-Phase                                    |
| 23         | W, $V_{S(W)}$ | Output for W Phase & Bias Voltage Ground for High-Side MOSFET Driving |



**Figure 1. Pin Configuration and Internal Block Diagram (Bottom View)**

**1st Notes:**

- Source terminal of each low-side MOSFET is not connected to supply ground or bias voltage ground inside Motion SPM® 5 product. External connections should be made as indicated in Figure 3.

**Electrical Characteristics** ( $T_J = 25^\circ\text{C}$ ,  $V_{CC} = V_{BS} = 15\text{ V}$  unless otherwise specified.)

**Inverter Part** (each MOSFET unless otherwise specified.)

| Symbol       | Parameter                                | Conditions  | Min         | Typ | Max | Unit          |
|--------------|--|---|-------------|-----|-----|---------------|
| $BV_{DSS}$   | Drain - Source Breakdown Voltage         | $V_{IN} = 0\text{ V}$ , $I_D = 1\text{ mA}$ (2nd Note 1)  | 600         | -   | -   | V             |
| $I_{DSS}$    | Zero Gate Voltage Drain Current          | $V_{IN} = 0\text{ V}$ , $V_{DS} = 600\text{ V}$   | -           | -   | 1   | mA            |
| $R_{DS(on)}$ | Static Drain - Source Turn-On Resistance | $V_{CC} = V_{BS} = 15\text{ V}$ , $V_{IN} = 5\text{ V}$ , $I_D = 1.5\text{ A}$  | -           | 600 | 700 | m $\Omega$    |
| $V_{SD}$     | Drain - Source Diode Forward Voltage     | $V_{CC} = V_{BS} = 15\text{ V}$ , $V_{IN} = 0\text{ V}$ , $I_D = -1.5\text{ A}$   | -           | -   | 1.1 | V             |
| $t_{ON}$     | Switching Times                          | $V_{PN} = 300\text{ V}$ , $V_{CC} = V_{BS} = 15\text{ V}$ , $I_D = 1.5\text{ A}$<br>$V_{IN} = 0\text{ V} \leftrightarrow 5\text{ V}$ , Inductive Load $L = 3\text{ mH}$<br>High- and Low-Side MOSFET Switching (2nd Note 2) | -           | 950 | -   | ns            |
| $t_{OFF}$    |  |   | -           | 820 | -   | ns            |
| $t_{rr}$     |  |   | -           | 120 | -   | ns            |
| $E_{ON}$     |  |   | -           | 130 | -   | $\mu\text{J}$ |
| $E_{OFF}$    |  |   | -           | 5   | -   | $\mu\text{J}$ |
| RBSOA        | Reverse Bias Safe Operating Area         | $V_{PN} = 400\text{ V}$ , $V_{CC} = V_{BS} = 15\text{ V}$ , $I_D = I_{DP}$ , $V_{DS} = BV_{DSS}$ ,<br>$T_J = 150^\circ\text{C}$<br>High- and Low-Side MOSFET Switching (2nd Note 3)   | Full Square |     |     |               |

**Control Part** (each HVIC unless otherwise specified.)

| Symbol     | Parameter                                     | Conditions  | Min                        | Typ | Max | Unit          |   |
|------------|---|---|----------------------------|-----|-----|---------------|---|
| $I_{QCC}$  | Quiescent $V_{CC}$ Current                    | $V_{CC} = 15\text{ V}$ ,<br>$V_{IN} = 0\text{ V}$ Applied Between $V_{CC}$ and COM                                    | -                          | -   | 200 | $\mu\text{A}$ |   |
| $I_{QBS}$  | Quiescent $V_{BS}$ Current                    | $V_{BS} = 15\text{ V}$ ,<br>$V_{IN} = 0\text{ V}$ Applied Between $V_{B(U)} - U$ ,<br>$V_{B(V)} - V$ , $V_{B(W)} - W$ | -                          | -   | 100 | $\mu\text{A}$ |   |
| $UV_{CCD}$ | Low-Side Under-Voltage Protection (Figure 8)  | $V_{CC}$ Under-Voltage Protection Detection Level   | 7.4                        | 8.0 | 9.4 | V             |   |
| $UV_{CCR}$ |   | $V_{CC}$ Under-Voltage Protection Reset Level   | 8.0                        | 8.9 | 9.8 | V             |   |
| $UV_{BSD}$ | High-Side Under-Voltage Protection (Figure 9) | $V_{BS}$ Under-Voltage Protection Detection Level   | 7.4                        | 8.0 | 9.4 | V             |   |
| $UV_{BSR}$ |   | $V_{BS}$ Under-Voltage Protection Reset Level   | 8.0                        | 8.9 | 9.8 | V             |   |
| $V_{TS}$   | HVIC Temperature Sensing Voltage Output       | $V_{CC} = 15\text{ V}$ , $T_{HVIC} = 25^\circ\text{C}$ (2nd Note 4)   | 600                        | 790 | 980 | mV            |   |
| $V_{IH}$   | ON Threshold Voltage                          | Logic HIGH Level  | Applied between IN and COM | -   | -   | 2.9           | V |
| $V_{IL}$   | OFF Threshold Voltage                         | Logic LOW Level   |                            | 0.8 | -   | -             | V |

**Bootstrap Diode Part** (each bootstrap diode unless otherwise specified.)

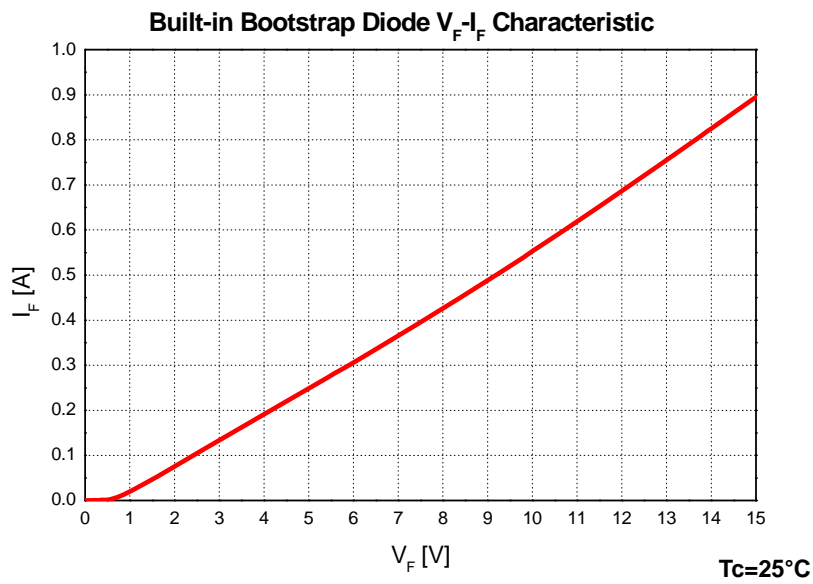
| Symbol    | Parameter             | Conditions   | Min | Typ | Max | Unit |
|-----------|-----------------------|--|-----|-----|-----|------|
| $V_{FB}$  | Forward Voltage       | $I_F = 0.1\text{ A}$ , $T_C = 25^\circ\text{C}$ (2nd Note 5) | -   | 2.5 | -   | V    |
| $t_{rrB}$ | Reverse Recovery Time | $I_F = 0.1\text{ A}$ , $T_C = 25^\circ\text{C}$              | -   | 80  | -   | ns   |

**2nd Notes:**

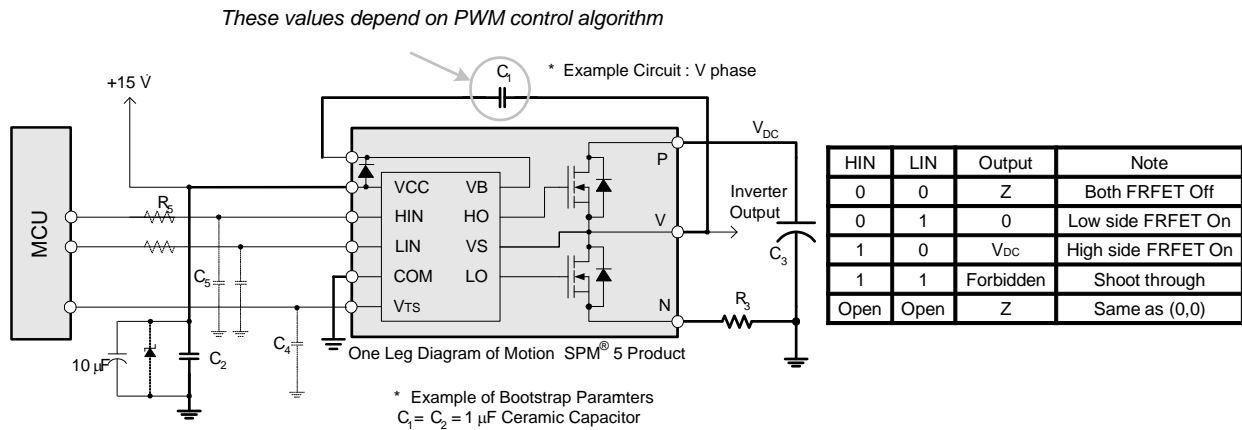
- $BV_{DSS}$  is the absolute maximum voltage rating between drain and source terminal of each MOSFET inside Motion SPM® 5 product.  $V_{PN}$  should be sufficiently less than this value considering the effect of the stray inductance so that  $V_{PN}$  should not exceed  $BV_{DSS}$  in any case.
- $t_{ON}$  and  $t_{OFF}$  include the propagation delay of the internal drive IC. Listed values are measured at the laboratory test condition, and they can be different according to the field applications due to the effect of different printed circuit boards and wirings. Please see Figure 6 for the switching time definition with the switching test circuit of Figure 7.
- The peak current and voltage of each MOSFET during the switching operation should be included in the Safe Operating Area (SOA). Please see Figure 7 for the RBSOA test circuit that is same as the switching test circuit.
- $V_{IS}$  is only for sensing-temperature of module and cannot shutdown MOSFETs automatically.
- Built-in bootstrap diode includes around  $15\Omega$  resistance characteristic. Please refer to Figure 2.

### Recommended Operating Condition

| Symbol        | Parameter                              | Conditions  | Min. | Typ. | Max.     | Unit          |
|---------------|--|---|------|------|----------|---------------|
| $V_{PN}$      | Supply Voltage                         | Applied Between P and N   | -    | 300  | 400      | V             |
| $V_{CC}$      | Control Supply Voltage                 | Applied Between $V_{CC}$ and COM  | 13.5 | 15.0 | 16.5     | V             |
| $V_{BS}$      | High-Side Bias Voltage                 | Applied Between $V_B$ and $V_S$   | 13.5 | 15.0 | 16.5     | V             |
| $V_{IN(ON)}$  | Input ON Threshold Voltage             | Applied Between IN and COM  | 3.0  | -    | $V_{CC}$ | V             |
| $V_{IN(OFF)}$ | Input OFF Threshold Voltage            |   | 0    | -    | 0.6      | V             |
| $t_{dead}$    | Blanking Time for Preventing Arm-Short | $V_{CC} = V_{BS} = 13.5 \sim 16.5 \text{ V}$ , $T_J \leq 150^\circ\text{C}$ | 1.0  | -    | -        | $\mu\text{s}$ |
| $f_{PWM}$     | PWM Switching Frequency                | $T_J \leq 150^\circ\text{C}$  | -    | 20   | -        | kHz           |



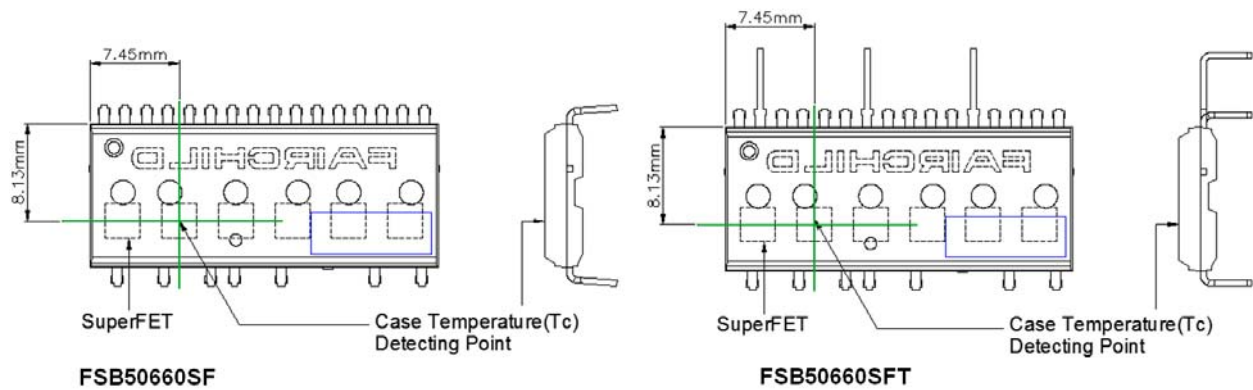
**Figure 2. Built-in Bootstrap Diode Characteristics (Typical)**



**Figure 3. Recommended MCU Interface and Bootstrap Circuit with Parameters**

**3rd Notes:**

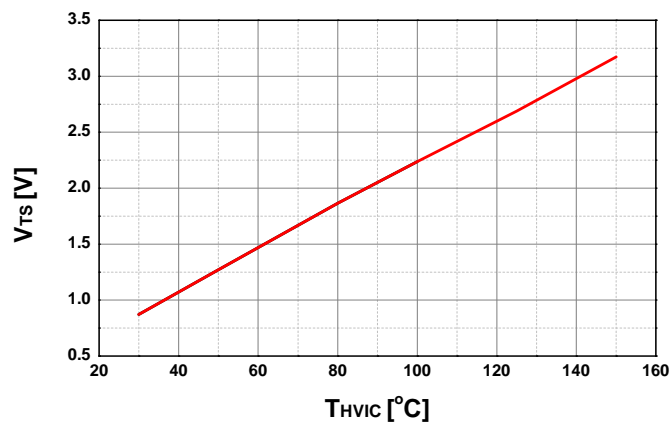
- Parameters for bootstrap circuit elements are dependent on PWM algorithm. For 15 kHz of switching frequency, typical example of parameters is shown above.
- RC-coupling (R<sub>5</sub> and C<sub>5</sub>) and C<sub>4</sub> at each input of Motion SPM 5 product and MCU (Indicated as Dotted Lines) may be used to prevent improper signal due to surge-noise.
- Bold lines should be short and thick in PCB pattern to have small stray inductance of circuit, which results in the reduction of surge-voltage. Bypass capacitors such as C<sub>1</sub>, C<sub>2</sub> and C<sub>3</sub> should have good high-frequency characteristics to absorb high-frequency ripple-current.



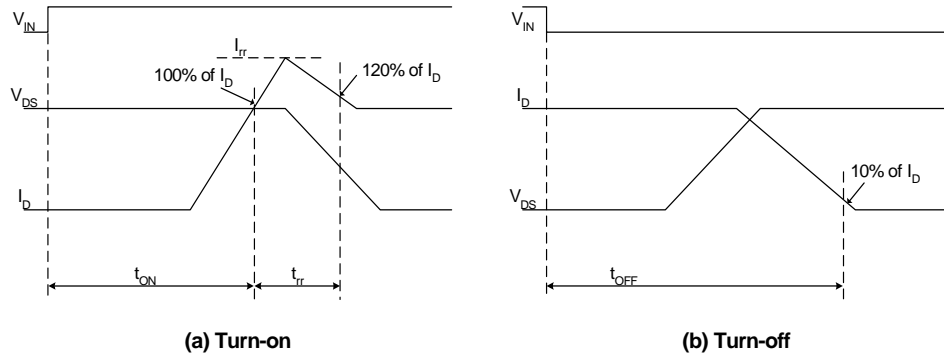
**Figure 4. Case Temperature Measurement**

**3rd Notes:**

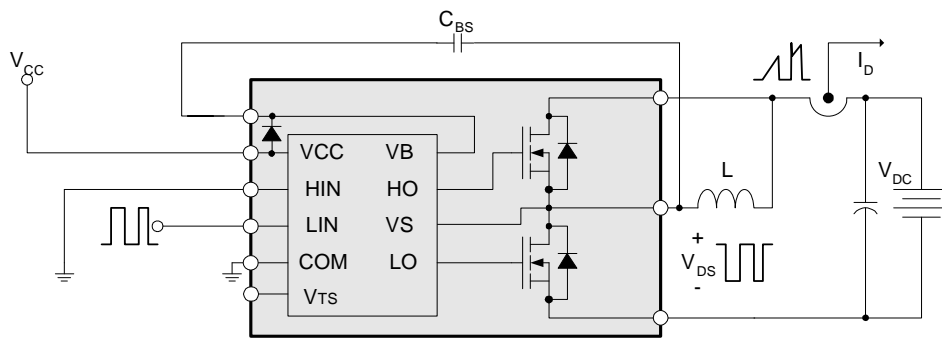
- Attach the thermocouple on top of the heat-sink of SPM 5 package (between SPM 5 package and heatsink if applied) to get the correct temperature measurement.



**Figure 5. Temperature Profile of V<sub>TS</sub> (Typical)**

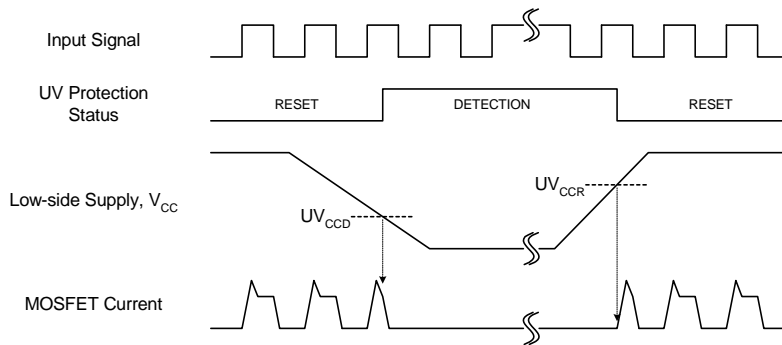


**Figure 6. Switching Time Definitions**

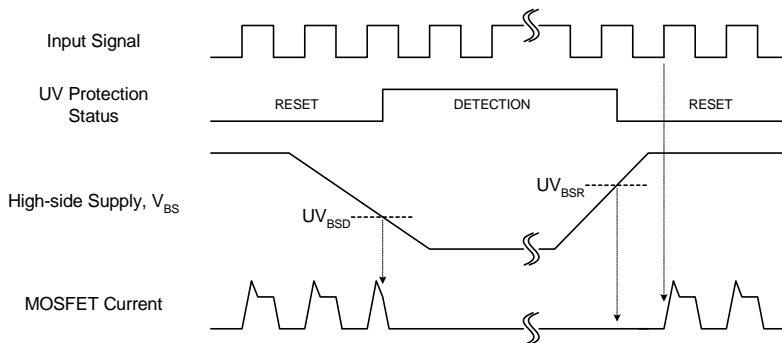


One Leg Diagram of Motion SPM® 5 Product

**Figure 7. Switching and RBSOA (Single-pulse) Test Circuit (Low-side)**



**Figure 8. Under-Voltage Protection (Low-Side)**



**Figure 9. Under-Voltage Protection (High-Side)**



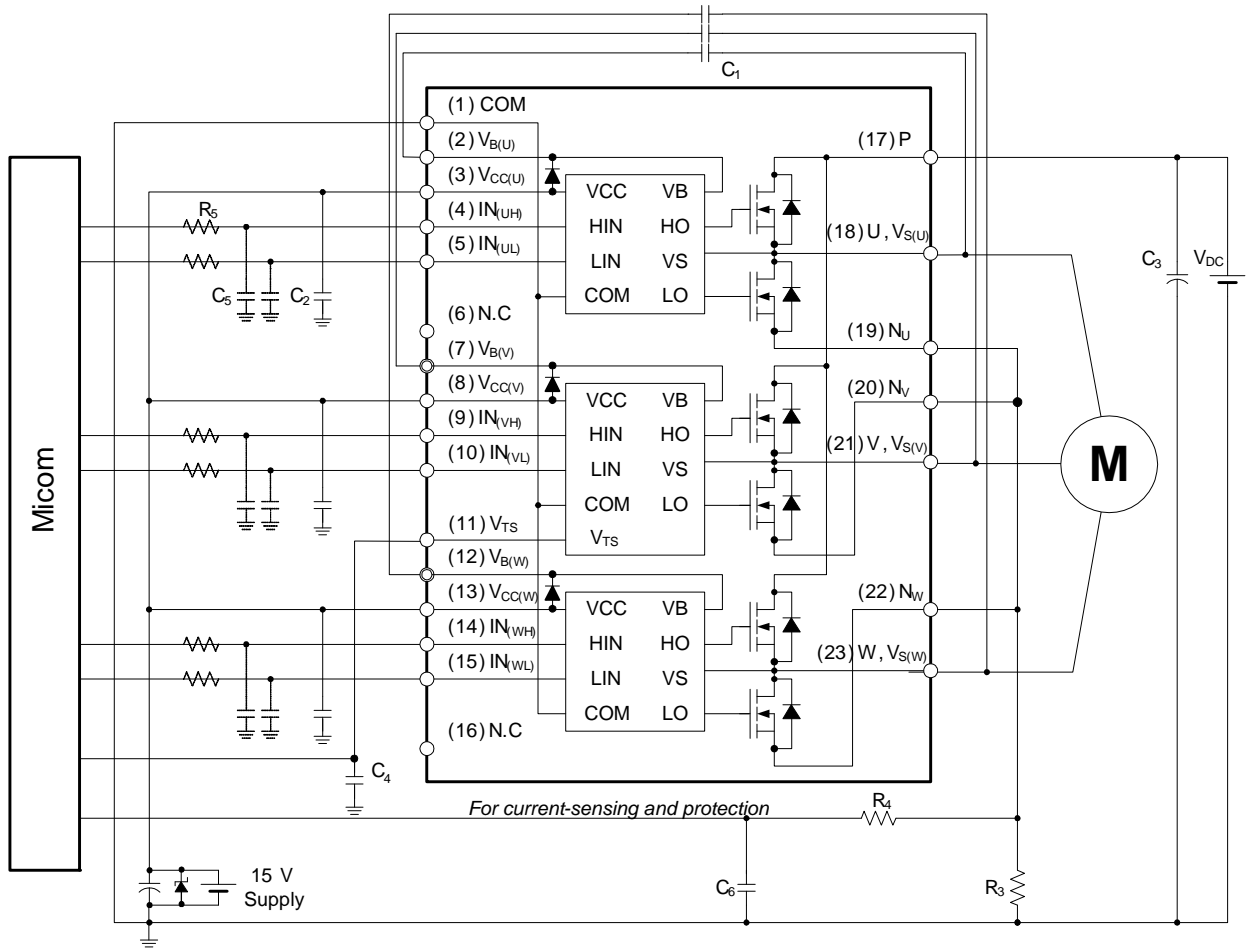
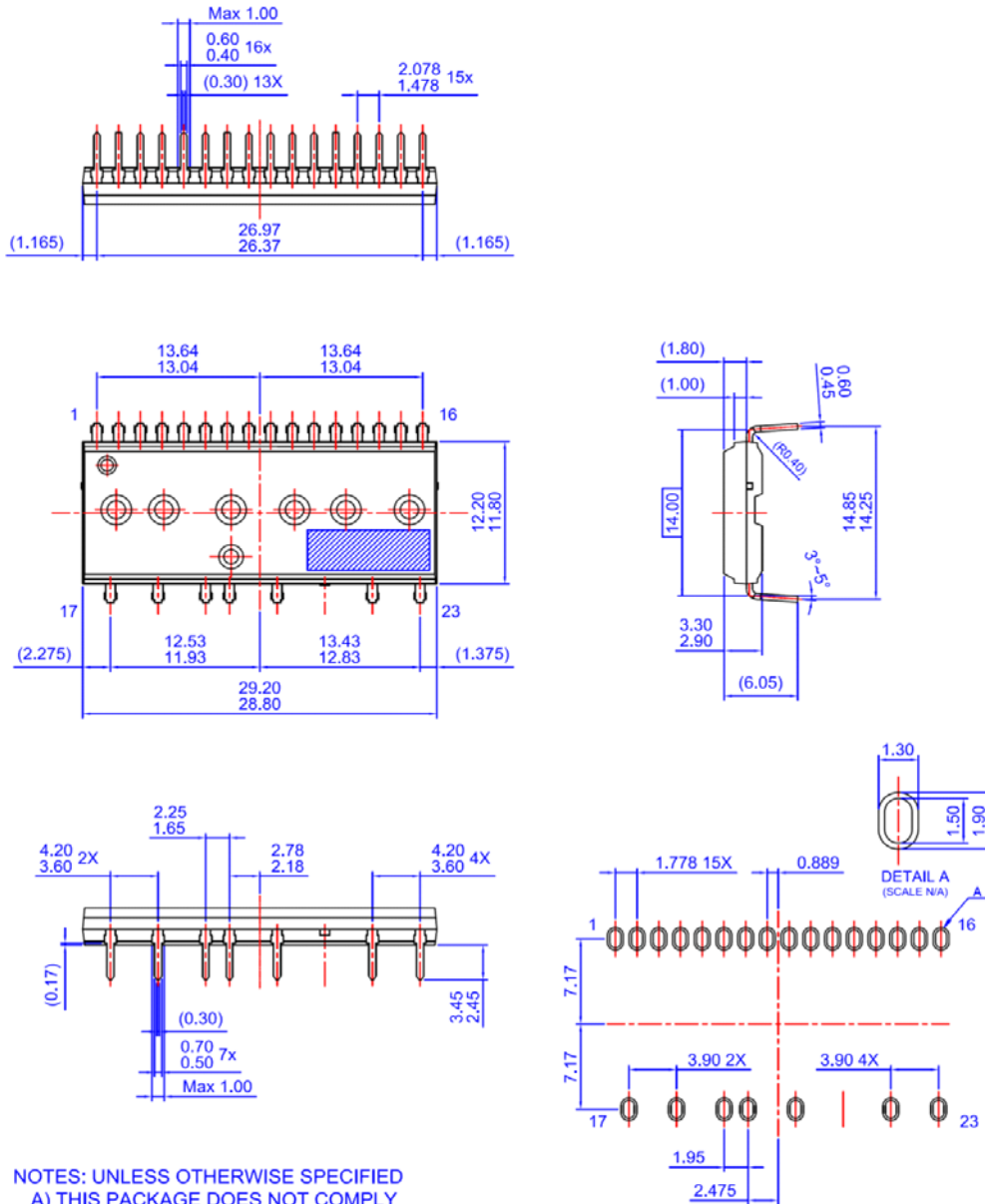


Figure 10. Example of Application Circuit

4th Notes:

1. About pin position, refer to Figure 1.
2. RC-coupling ( $R_5$  and  $C_5$ ,  $R_4$  and  $C_6$ ) and  $C_4$  at each input of Motion SPM® 5 product and MCU are useful to prevent improper input signal caused by surge-noise.
3. The voltage-drop across  $R_3$  affects the low-side switching performance and the bootstrap characteristics since it is placed between COM and the source terminal of the low-side MOSFET. For this reason, the voltage-drop across  $R_3$  should be less than 1 V in the steady-state.
4. Ground-wires and output terminals, should be thick and short in order to avoid surge-voltage and malfunction of HVIC.
5. All the filter capacitors should be connected close to Motion SPM 5 product, and they should have good characteristics for rejecting high-frequency ripple current.

## Detailed Package Outline Drawings (FSB50660SF)



- NOTES: UNLESS OTHERWISE SPECIFIED  
 A) THIS PACKAGE DOES NOT COMPLY TO ANY CURRENT PACKAGING STANDARD  
 B) ALL DIMENSIONS ARE IN MILLIMETERS  
 C) DIMENSIONS ARE EXCLUSIVE OF BURRS, MOLD FLASH, AND TIE BAR EXTRUSIONS  
 D) ( ) IS REFERENCE  
 E) [ ] IS ASS'Y QUALITY  
 F) DRAWING FILENAME: MOD23DCREV2.0  
 G) FAIRCHILD SEMICONDUCTOR

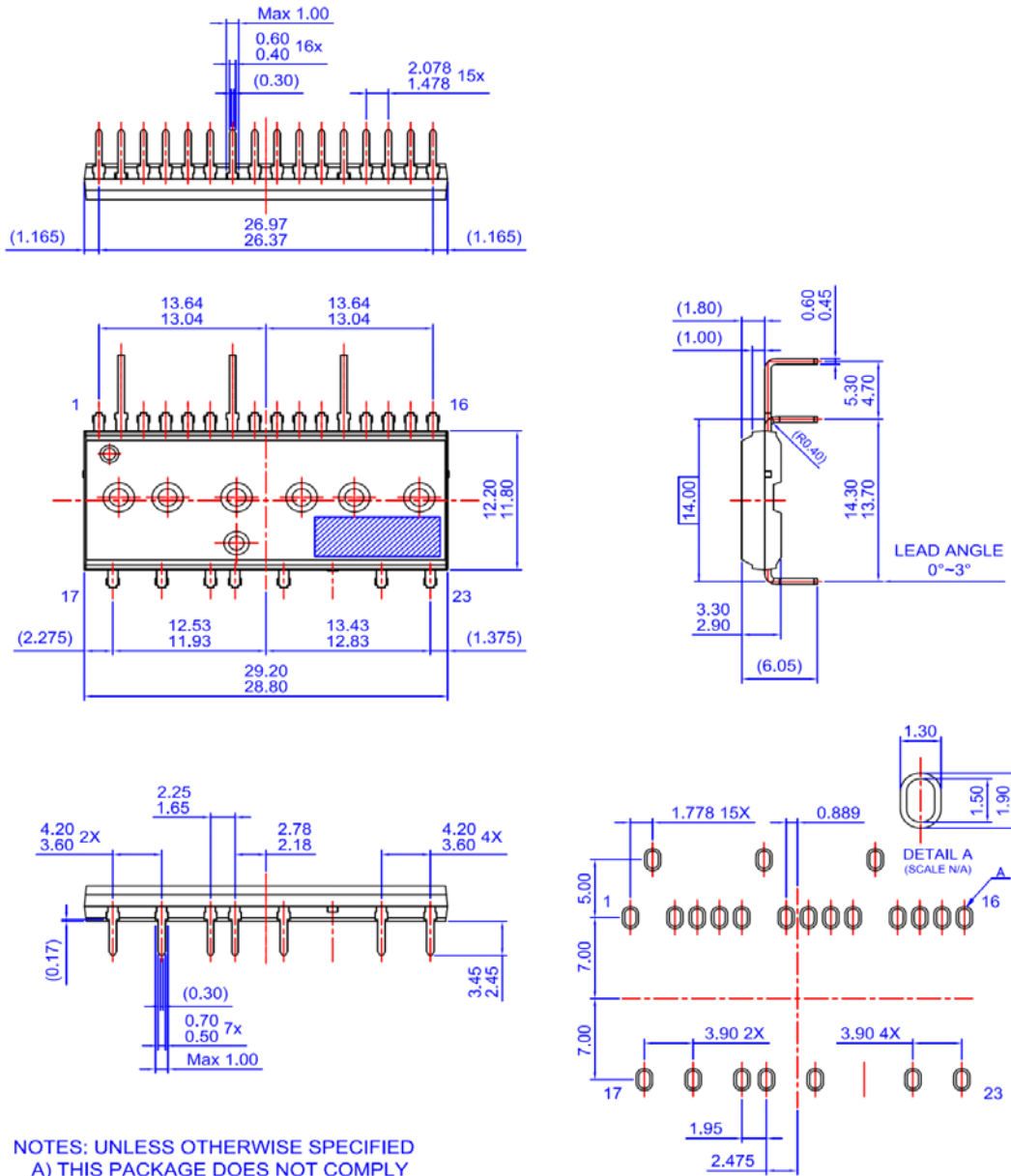
LAND PATTERN RECOMMENDATIONS

Package drawings are provided as a service to customers considering Fairchild components. Drawings may change in any manner without notice. Please note the revision and/or data on the drawing and contact a FairchildSemiconductor representative to verify or obtain the most recent revision. Package specifications do not expand the terms of Fairchild's worldwide therm and conditions, specifically the the warranty therein, which covers Fairchild products.

Always visit Fairchild Semiconductor's online packaging area for the most recent package drawings:

<http://www.fairchildsemi.com/dwg/MO/MOD23DC.pdf>

### Detailed Package Outline Drawings (FSB50660SFT)



- NOTES: UNLESS OTHERWISE SPECIFIED  
 A) THIS PACKAGE DOES NOT COMPLY TO ANY CURRENT PACKAGING STANDARD  
 B) ALL DIMENSIONS ARE IN MILLIMETERS  
 C) DIMENSIONS ARE EXCLUSIVE OF BURRS, MOLD FLASH, AND TIE BAR EXTRUSIONS  
 D) ( ) IS REFERENCE  
 E) [ ] IS ASS'Y QUALITY  
 F) DRAWING FILENAME: MOD23DFREV2.0  
 G) FAIRCHILD SEMICONDUCTOR

LAND PATTERN RECOMMENDATIONS

Package drawings are provided as a service to customers considering Fairchild components. Drawings may change in any manner without notice. Please note the revision and/or data on the drawing and contact a FairchildSemiconductor representative to verify or obtain the most recent revision. Package specifications do not expand the terms of Fairchild's worldwide therm and conditions, specifically the the warranty therein, which covers Fairchild products.

Always visit Fairchild Semiconductor's online packaging area for the most recent package drawings:

<http://www.fairchildsemi.com/dwg/MO/MOD23DF.pdf>



**TRADEMARKS**

The following includes registered and unregistered trademarks and service marks, owned by Fairchild Semiconductor and/or its global subsidiaries, and is not intended to be an exhaustive list of all such trademarks.

- |                          |  |                                       |                  |
|--------------------------|--|---------------------------------------|------------------|
| AccuPower™               | F-PFS™   | PowerTrench®                          | Sync-Lock™       |
| AX-CAP®*                 | FRFET®   | PowerXS™                              | SYSTEM GENERAL®  |
| BitSiC™                  | Global Power Resource™                         | Programmable Active Droop™            | TinyBoost®       |
| Build it Now™            | GreenBridge™                                   | QFET®                                 | TinyBuck®        |
| CorePLUS™                | Green FPS™                                     | QS™                                   | TinyCalc™        |
| CorePOWER™               | Green FPS™ e-Series™                           | Quiet Series™                         | TinyLogic®       |
| CROSSVOLT™               | Gmax™  | RapidConfigure™                       | TINYOPTO™        |
| CTL™                     | GTO™   | Saving our world, 1mW/W/kW at a time™ | TinyPower™       |
| Current Transfer Logic™  | IntelliMAX™                                    | SignalWise™                           | TinyPWM™         |
| DEUXPEED®                | ISOPLANAR™                                     | SmartMax™                             | TinyWire™        |
| Dual Cool™               | Making Small Speakers Sound Louder and Better™ | SMART START™                          | TranSiC™         |
| EcoSPARK®                | MegaBuck™                                      | Solutions for Your Success™           | TriFault Detect™ |
| EfficientMax™            | MICROCOUPLER™                                  | SPM®                                  | TRUECURRENT®*    |
| ESBC™                    | MicroFET™                                      | STEALTH™                              | µSerDes™         |
| Fairchild®               | MicroPak™                                      | SuperFET®                             | UHC®             |
| Fairchild Semiconductor® | MicroPak2™                                     | SuperSOT™-3                           | Ultra FRFET™     |
| FACT Quiet Series™       | MillerDrive™                                   | SuperSOT™-6                           | UniFET™          |
| FACT®                    | MotionMax™                                     | SuperSOT™-8                           | VCX™             |
| FAST®                    | mWSaver®                                       | SupreMOS®                             | VisualMax™       |
| FastvCore™               | OptoHiT™                                       | SyncFET™                              | VoltagePlus™     |
| FETBench™                | OPTOLOGIC®                                     |                                       | XS™              |
| FPS™                     | OPTOPLANAR®                                    |                                       |                  |

\* Trademarks of System General Corporation, used under license by Fairchild Semiconductor.

**DISCLAIMER**

FAIRCHILD SEMICONDUCTOR RESERVES THE RIGHT TO MAKE CHANGES WITHOUT FURTHER NOTICE TO ANY PRODUCTS HEREIN TO IMPROVE RELIABILITY, FUNCTION, OR DESIGN. FAIRCHILD DOES NOT ASSUME ANY LIABILITY ARISING OUT OF THE APPLICATION OR USE OF ANY PRODUCT OR CIRCUIT DESCRIBED HEREIN; NEITHER DOES IT CONVEY ANY LICENSE UNDER ITS PATENT RIGHTS, NOR THE RIGHTS OF OTHERS. THESE SPECIFICATIONS DO NOT EXPAND THE TERMS OF FAIRCHILD'S WORLDWIDE TERMS AND CONDITIONS, SPECIFICALLY THE WARRANTY THEREIN, WHICH COVERS THESE PRODUCTS.

**LIFE SUPPORT POLICY**

FAIRCHILD'S PRODUCTS ARE NOT AUTHORIZED FOR USE AS CRITICAL COMPONENTS IN LIFE SUPPORT DEVICES OR SYSTEMS WITHOUT THE EXPRESS WRITTEN APPROVAL OF FAIRCHILD SEMICONDUCTOR CORPORATION.

As used herein:

1. Life support devices or systems are devices or systems which, (a) are intended for surgical implant into the body or (b) support or sustain life, and (c) whose failure to perform when properly used in accordance with instructions for use provided in the labeling, can be reasonably expected to result in a significant injury of the user.
2. A critical component in any component of a life support, device, or system whose failure to perform can be reasonably expected to cause the failure of the life support device or system, or to affect its safety or effectiveness.

**ANTI-COUNTERFEITING POLICY**

Fairchild Semiconductor Corporation's Anti-Counterfeiting Policy. Fairchild's Anti-Counterfeiting Policy is also stated on our external website, [www.fairchildsemi.com](http://www.fairchildsemi.com), under Sales Support.

Counterfeiting of semiconductor parts is a growing problem in the industry. All manufacturers of semiconductor products are experiencing counterfeiting of their parts. Customers who inadvertently purchase counterfeit parts experience many problems such as loss of brand reputation, substandard performance, failed applications, and increased cost of production and manufacturing delays. Fairchild is taking strong measures to protect ourselves and our customers from the proliferation of counterfeit parts. Fairchild strongly encourages customers to purchase Fairchild parts either directly from Fairchild or from Authorized Fairchild Distributors who are listed by country on our web page cited above. Products customers buy either from Fairchild directly or from Authorized Fairchild Distributors are genuine parts, have full traceability, meet Fairchild's quality standards for handling and storage and provide access to Fairchild's full range of up-to-date technical and product information. Fairchild and our Authorized Distributors will stand behind all warranties and will appropriately address any warranty issues that may arise. Fairchild will not provide any warranty coverage or other assistance for parts bought from Unauthorized Sources. Fairchild is committed to combat this global problem and encourage our customers to do their part in stopping this practice by buying direct or from authorized distributors.

**PRODUCT STATUS DEFINITIONS**

**Definition of Terms**

| Datasheet Identification | Product Status        | Definition  |
|--------------------------|-----------------------|---|
| Advance Information      | Formative / In Design | Datasheet contains the design specifications for product development. Specifications may change in any manner without notice.   |
| Preliminary              | First Production      | Datasheet contains preliminary data; supplementary data will be published at a later date. Fairchild Semiconductor reserves the right to make changes at any time without notice to improve design. |
| No Identification Needed | Full Production       | Datasheet contains final specifications. Fairchild Semiconductor reserves the right to make changes at any time without notice to improve the design.   |
| Obsolete                 | Not In Production     | Datasheet contains specifications on a product that is discontinued by Fairchild Semiconductor. The datasheet is for reference information only.  |

Rev. 166

ON Semiconductor and  are trademarks of Semiconductor Components Industries, LLC dba ON Semiconductor or its subsidiaries in the United States and/or other countries. ON Semiconductor owns the rights to a number of patents, trademarks, copyrights, trade secrets, and other intellectual property. A listing of ON Semiconductor's product/patent coverage may be accessed at [www.onsemi.com/site/pdf/Patent-Marking.pdf](http://www.onsemi.com/site/pdf/Patent-Marking.pdf). ON Semiconductor reserves the right to make changes without further notice to any products herein. ON Semiconductor makes no warranty, representation or guarantee regarding the suitability of its products for any particular purpose, nor does ON Semiconductor assume any liability arising out of the application or use of any product or circuit, and specifically disclaims any and all liability, including without limitation special, consequential or incidental damages. Buyer is responsible for its products and applications using ON Semiconductor products, including compliance with all laws, regulations and safety requirements or standards, regardless of any support or applications information provided by ON Semiconductor. "Typical" parameters which may be provided in ON Semiconductor data sheets and/or specifications can and do vary in different applications and actual performance may vary over time. All operating parameters, including "Typicals" must be validated for each customer application by customer's technical experts. ON Semiconductor does not convey any license under its patent rights nor the rights of others. ON Semiconductor products are not designed, intended, or authorized for use as a critical component in life support systems or any FDA Class 3 medical devices or medical devices with a same or similar classification in a foreign jurisdiction or any devices intended for implantation in the human body. Should Buyer purchase or use ON Semiconductor products for any such unintended or unauthorized application, Buyer shall indemnify and hold ON Semiconductor and its officers, employees, subsidiaries, affiliates, and distributors harmless against all claims, costs, damages, and expenses, and reasonable attorney fees arising out of, directly or indirectly, any claim of personal injury or death associated with such unintended or unauthorized use, even if such claim alleges that ON Semiconductor was negligent regarding the design or manufacture of the part. ON Semiconductor is an Equal Opportunity/Affirmative Action Employer. This literature is subject to all applicable copyright laws and is not for resale in any manner.

## PUBLICATION ORDERING INFORMATION

### LITERATURE FULFILLMENT:

Literature Distribution Center for ON Semiconductor  
19521 E. 32nd Pkwy, Aurora, Colorado 80011 USA  
**Phone:** 303-675-2175 or 800-344-3860 Toll Free USA/Canada  
**Fax:** 303-675-2176 or 800-344-3867 Toll Free USA/Canada  
**Email:** [orderlit@onsemi.com](mailto:orderlit@onsemi.com)

**N. American Technical Support:** 800-282-9855 Toll Free  
USA/Canada  
**Europe, Middle East and Africa Technical Support:**  
Phone: 421 33 790 2910  
**Japan Customer Focus Center**  
Phone: 81-3-5817-1050

**ON Semiconductor Website:** [www.onsemi.com](http://www.onsemi.com)  
**Order Literature:** <http://www.onsemi.com/orderlit>  
For additional information, please contact your local  
Sales Representative